



US00D941425S

(12) **United States Design Patent** (10) **Patent No.:** **US D941,425 S**
Seum et al. (45) **Date of Patent:** **** Jan. 18, 2022**

(54) **FAUCET**

D872,235 S * 1/2020 Garland D23/238
D873,379 S * 1/2020 Fritz D23/238
D873,380 S * 1/2020 Judge D23/238

(71) Applicant: **Grohe AG**, Hemer (DE)

(Continued)

(72) Inventors: **Michael Seum**, Duesseldorf (DE);
Jung-Beom Han, Duesseldorf (DE)

FOREIGN PATENT DOCUMENTS

(73) Assignee: **Grohe AG**, Hemer (DE)

CN 304909331 * 10/2018
EM 006694170-0004 * 8/2019

(**) Term: **15 Years**

OTHER PUBLICATIONS

(21) Appl. No.: **29/723,717**

Peppermint Kitchen Sink Faucet, first available Aug. 8, 2019[online],
[site visited Jul. 1, 2021]. Available from internet, URL:<https://
www.amazon.com/Peppermint-Kitchen-Faucet-Sprayer-Single/dp/
B07WBY18LZ> (Year: 2019).*

(22) Filed: **Feb. 10, 2020**

(Continued)

(30) **Foreign Application Priority Data**

Aug. 9, 2019 (EP) 006694170-0004

(51) **LOC (13) Cl.** **23-01**

(52) **U.S. Cl.**
USPC **D23/238**

(58) **Field of Classification Search**
USPC D23/238-244, 252, 254-255, 257;
D8/307-308

CPC F16K 31/602; F16K 31/605; F16K 31/607;
E03C 1/0412

See application file for complete search history.

Primary Examiner — Barbara Fox

Assistant Examiner — Jamaal Rasheed

(74) *Attorney, Agent, or Firm* — Muncy, Geissler, Olds &
Lowe, P.C.

(57) **CLAIM**

The ornamental design for a faucet, as shown and described.

DESCRIPTION

FIG. 1 is a front perspective view of a faucet according to
the present invention.

FIG. 2 is a front view of the faucet of FIG. 1.

FIG. 3 is a rear view of the faucet of FIG. 1.

FIG. 4 is a left side view of the faucet of FIG. 1.

FIG. 5 is a right side view of the faucet of FIG. 1.

FIG. 6 is a top view of the faucet of FIG. 1; and,

FIG. 7 is a bottom view of the faucet of FIG. 1.

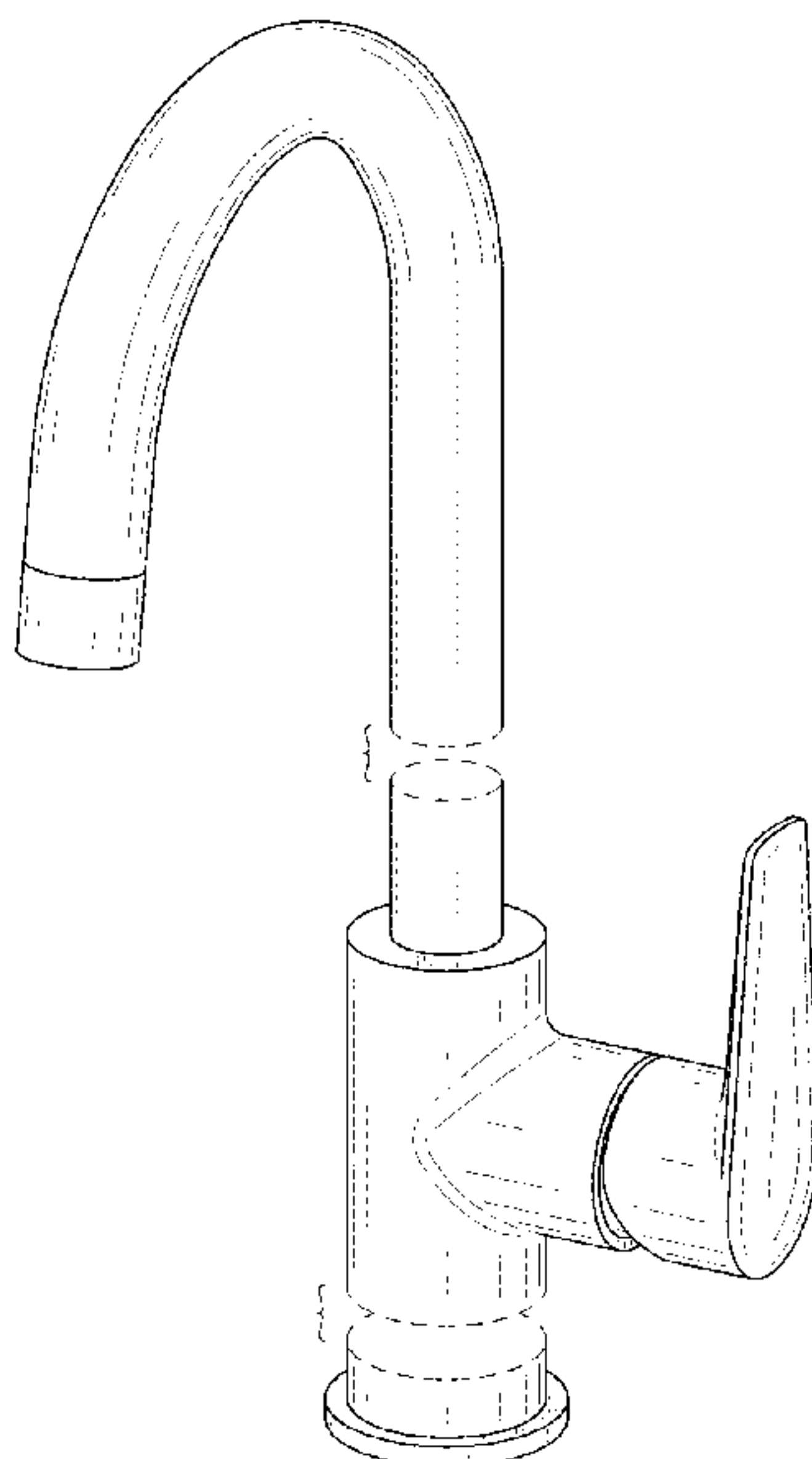
The broken lines shown in the drawings depict portions of
the faucet that form no part of the claimed design. The
appearance of any portion of the faucet between the broken
line portions indicated by the brackets forms no part of the
claimed design.

(56) **References Cited**

U.S. PATENT DOCUMENTS

D683,822 S * 6/2013 Kwok D23/238
D686,300 S * 7/2013 Fritz D23/238
D754,294 S * 4/2016 Garland D23/238
D828,508 S * 9/2018 Fritz D23/238
D835,236 S * 12/2018 Ziemann D23/238
D835,237 S * 12/2018 Ziemann D23/238
D840,509 S * 2/2019 Garland D23/238
D860,392 S * 9/2019 Garland D23/238
D869,610 S * 12/2019 Garland D23/238
D870,852 S * 12/2019 Eads D23/238
D871,547 S * 12/2019 Eads D23/238

1 Claim, 7 Drawing Sheets



(56)

References Cited

U.S. PATENT DOCUMENTS

D873,960	S	*	1/2020	Fritz	D23/238
D874,613	S	*	2/2020	Park	D23/238
D875,215	S	*	2/2020	Bahler	D23/238
D890,302	S	*	7/2020	Chen	D23/238
D913,433	S	*	3/2021	Ao	D23/238
D913,436	S	*	3/2021	Zhu	D23/238
D913,440	S	*	3/2021	Zeng	D23/238
D914,144	S	*	3/2021	Levi	D23/238
D914,150	S	*	3/2021	He	D23/238
D914,846	S	*	3/2021	Zhang	D23/238
2016/0145840	A1	*	5/2016	de Swarte	E03C 1/0412 137/625.4

OTHER PUBLICATIONS

Hansgrohe Talis Kitchen Faucet, first available Aug. 3, 2010[online], [site visited Jul. 1, 2021]. Available from internet, URL:<<https://www.amazon.com/Talis-Single-Hole-Kitchen-1spray/dp/B006P7M2H6>> (Year: 2010).*

Delta Faucet 9159-CZ-DST Standard Pull-Down, first available Sep. 25, 2009[online], [site visited Jul. 1, 2021]. Available from internet, URL:<<https://www.amazon.com/Trinsic-Single-Handle-Magnetic-Champagne-9159-CZ-DST/dp/B0050EN8E6>> (Year: 2009).*

* cited by examiner

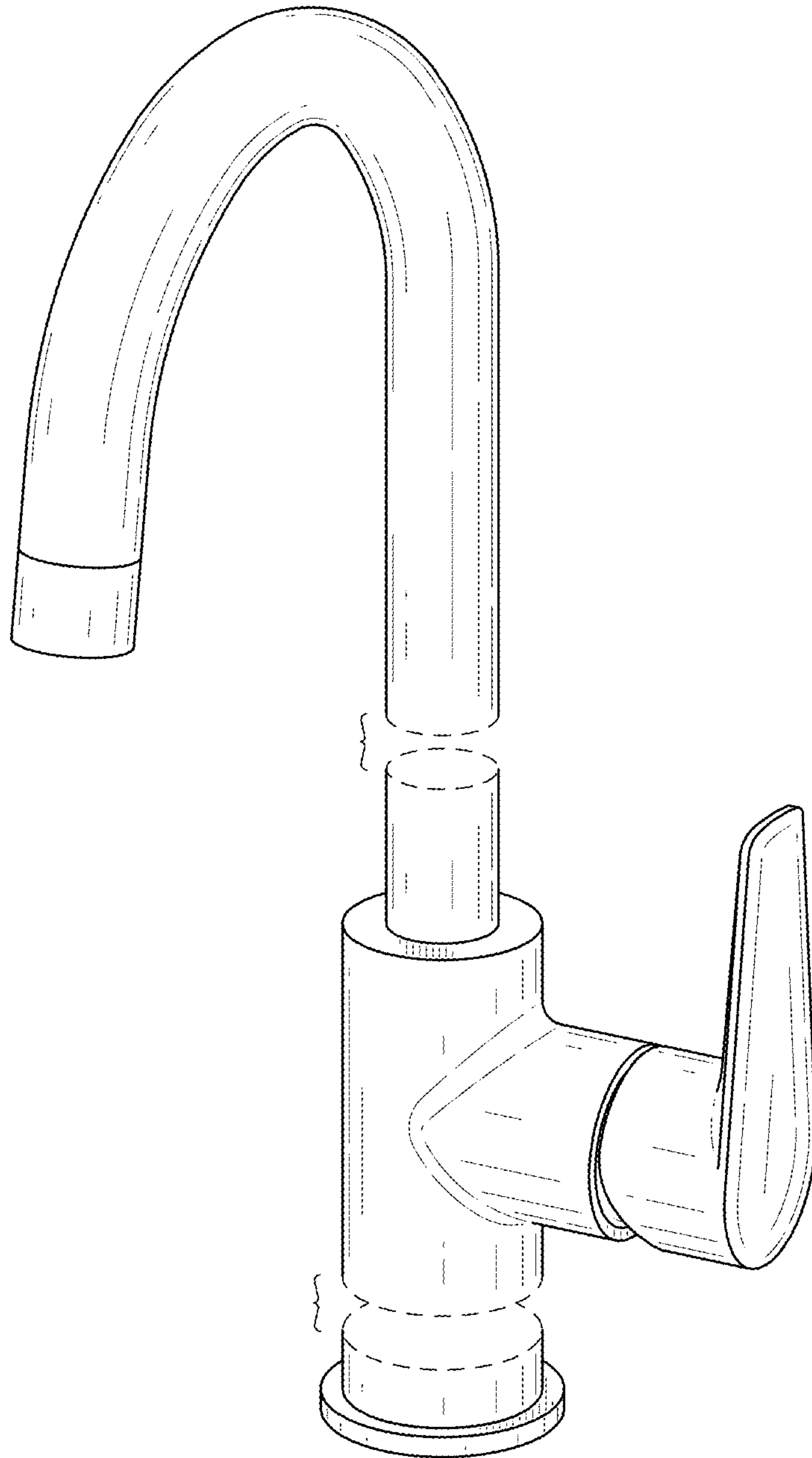


FIG. 1

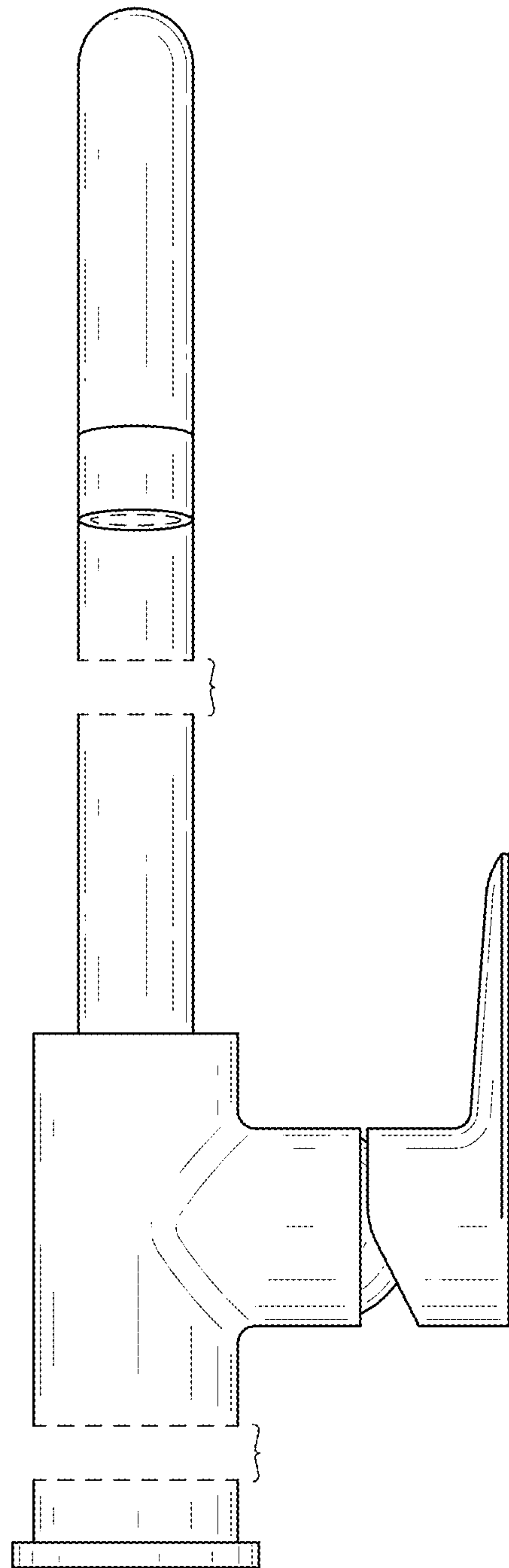


FIG.2

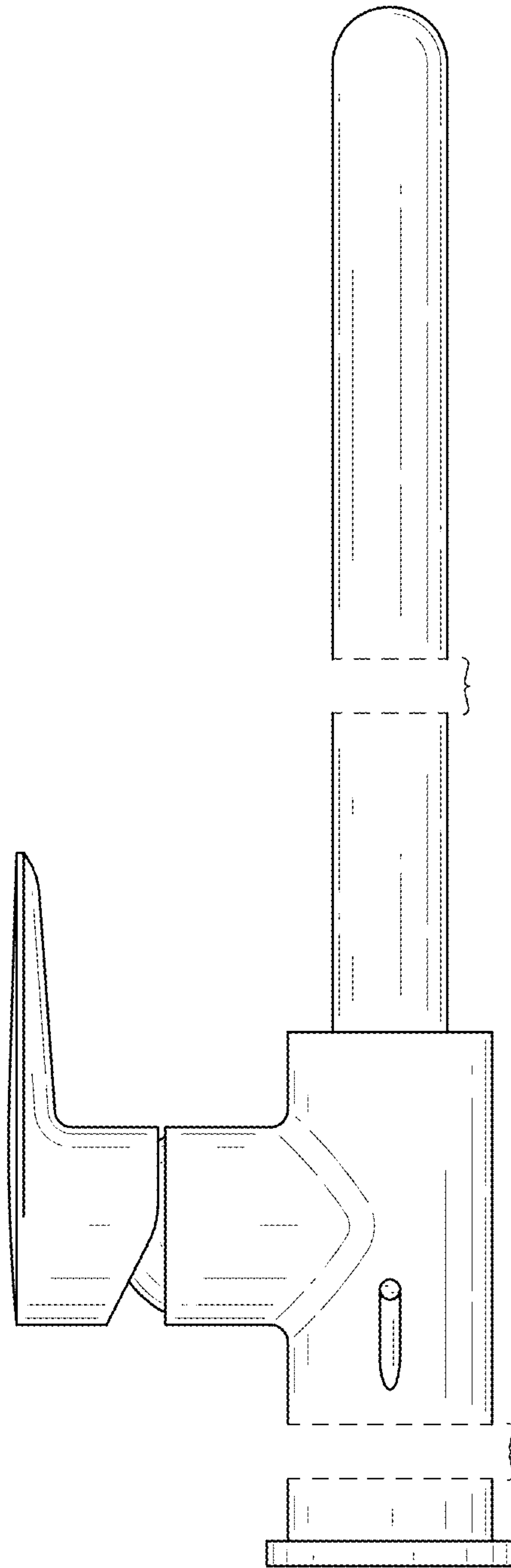


FIG.3

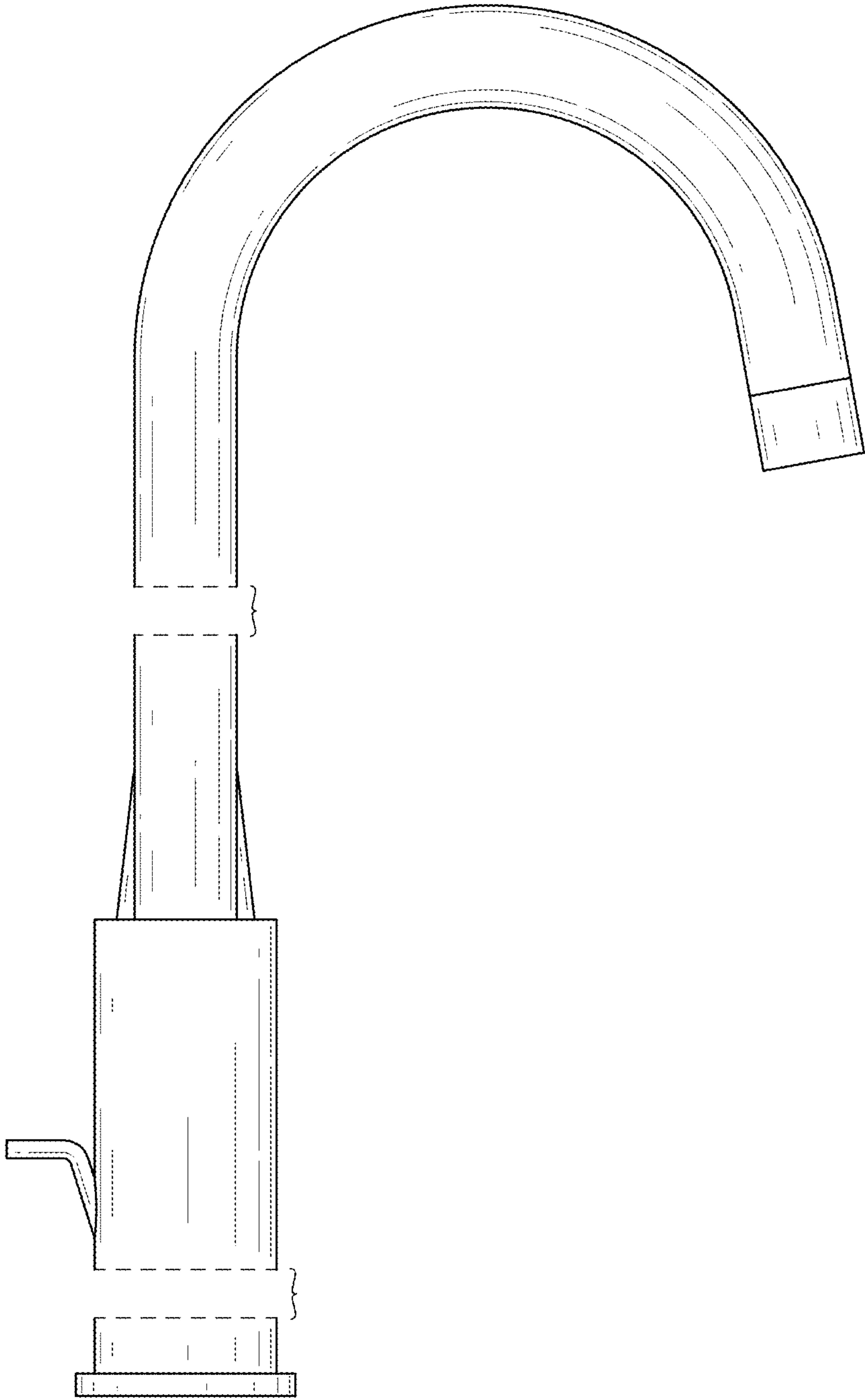


FIG.4

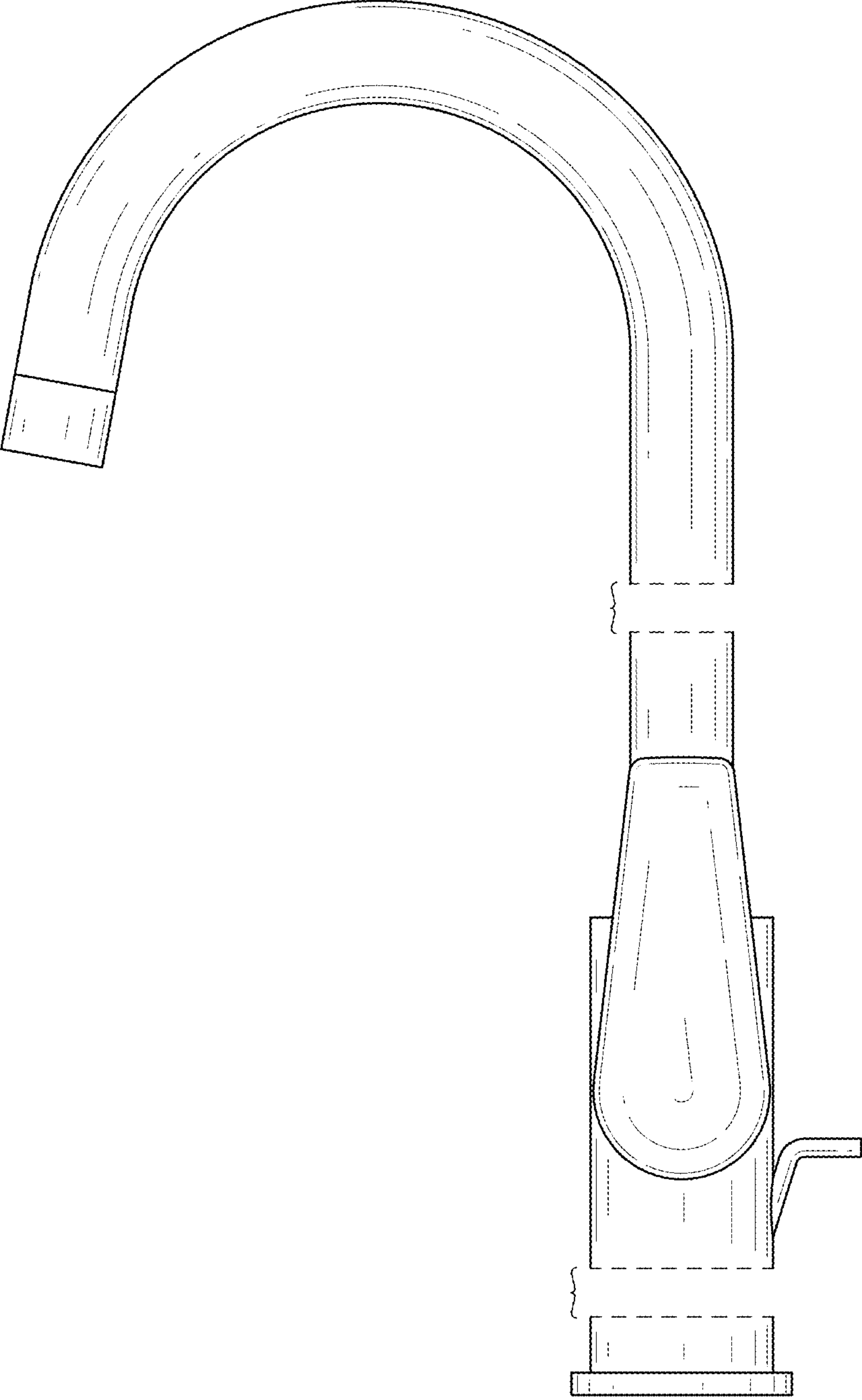


FIG. 5

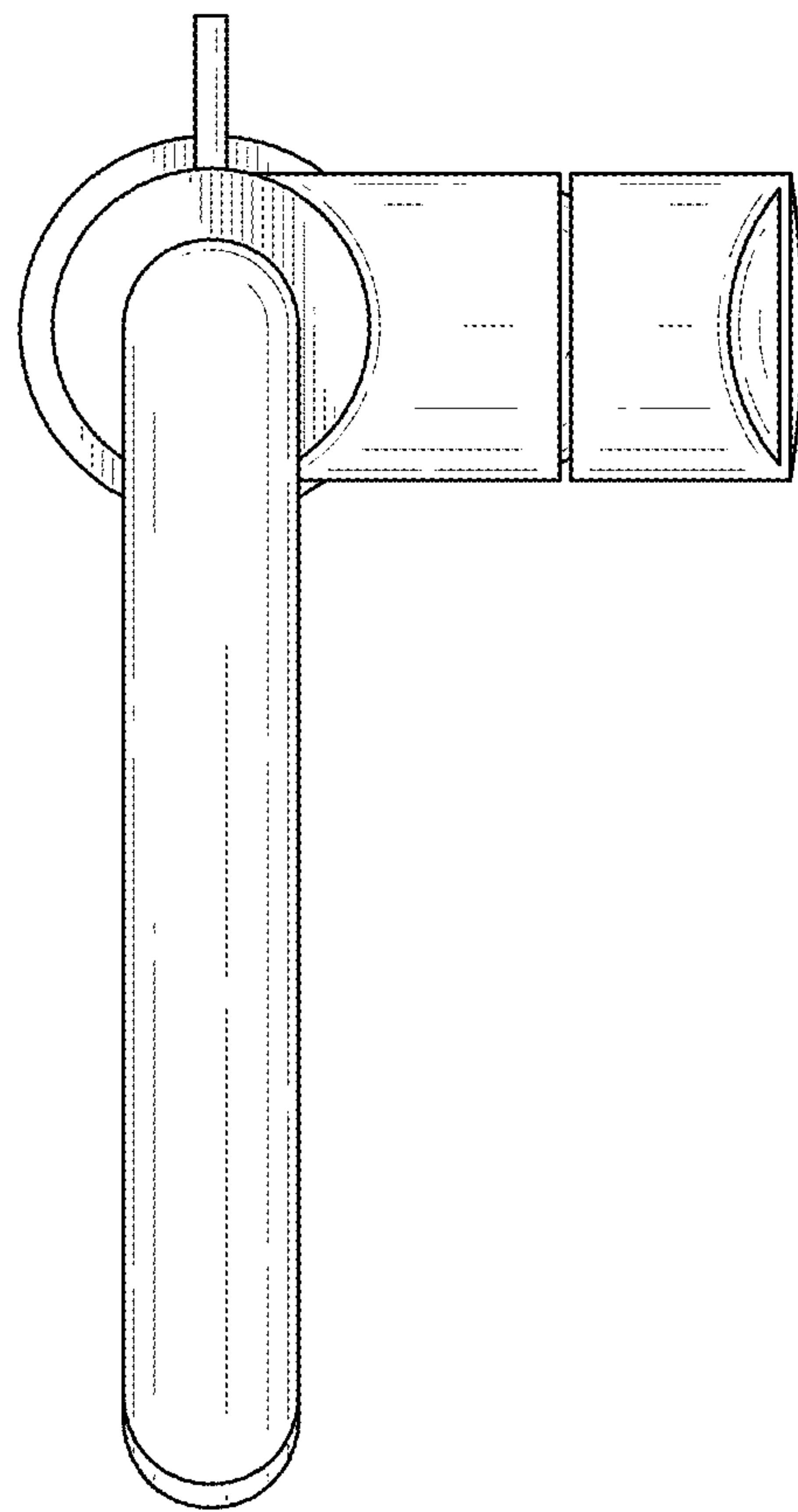


FIG.6

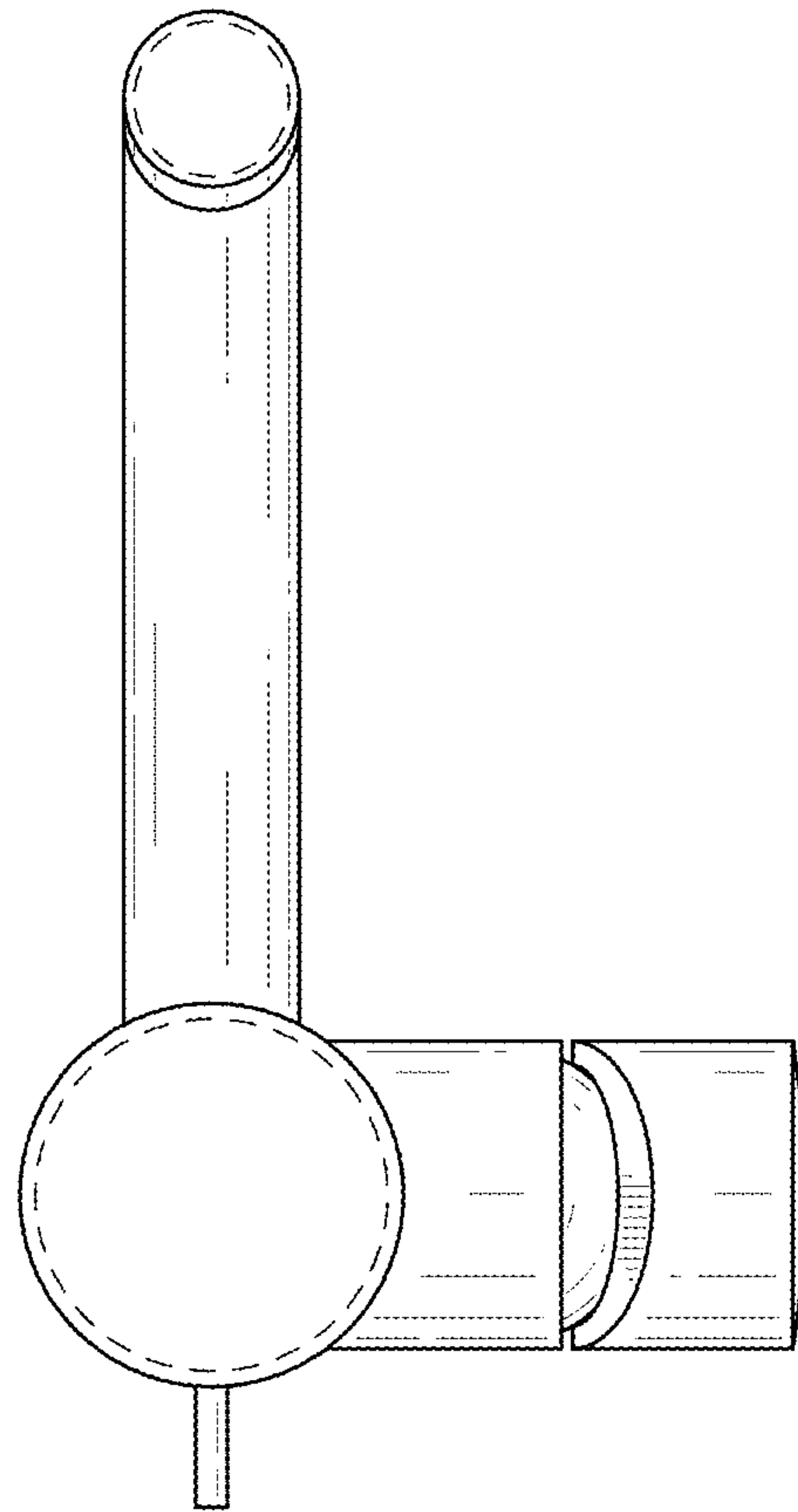


FIG. 7