



US00D941423S

(12) **United States Design Patent** (10) **Patent No.:** **US D941,423 S**
Havlovitz et al. (45) **Date of Patent:** **** Jan. 18, 2022**

(54) **MISTING DEVICE** 3,498,028 A 3/1970 Trouw
3,656,254 A * 4/1972 Schmedes A01M 13/00
43/129
(71) Applicant: **OMS Investments, Inc.**, Los Angeles, CA (US) 4,512,515 A 4/1985 Tenney
(Continued)

(72) Inventors: **Paul M. Havlovitz**, Dublin, OH (US);
Derek Jordan Recker, Columbus, OH (US); **David Slade Simpson**,
Worthington, OH (US); **Michael Thomas Kopczewski**, Orient, OH (US);
Jay F. Perkins, Pickerington, OH (US)

FOREIGN PATENT DOCUMENTS

GB 713406 A 8/1954
KR 20110135518 A 12/2011
WO 2007039776 A1 4/2007

(73) Assignee: **OMS Investments, Inc.**, Los Angeles, CA (US)

OTHER PUBLICATIONS

Misting Device <https://dav.uspto.gov/webapp/applicationViewer.html?casenumber=29695172> (Year: 2021).*

(**) Term: **15 Years**

(Continued)

(21) Appl. No.: **29/794,529**

Primary Examiner — Michelle E. Wilson

(22) Filed: **Jun. 14, 2021**

Assistant Examiner — Richard E Yenchesky

Related U.S. Application Data

(74) *Attorney, Agent, or Firm* — Ulmer & Berne LLP

(63) Continuation of application No. 29/695,172, filed on Jun. 17, 2019, now Pat. No. Des. 922,523.

(51) **LOC (13) Cl.** **23-01**

(52) **U.S. Cl.**

USPC **D23/223**

(58) **Field of Classification Search**

USPC D23/213, 223, 225, 379; D29/125;

D32/15, 17, 18, 21; D13/102

CPC ... B05B 7/1686; B05B 7/0081; B05B 3/1021;

B05B 9/01; B05B 7/12; B05B 12/002;

B05B 7/2464; B05B 3/022; A61M

35/003; A01M 7/0085; A01M 13/00

See application file for complete search history.

(56) **References Cited**

U.S. PATENT DOCUMENTS

3,392,479 A * 7/1968 Simmons B05B 7/2464
43/129

3,496,668 A * 2/1970 Slater B05B 7/1686
43/129

(57) **CLAIM**

The ornamental design of a misting device, as shown and described.

DESCRIPTION

FIG. 1 is a top isometric view of an embodiment of a misting device illustrating the new design;

FIG. 2 is a front elevational view thereof;

FIG. 3 is a back elevational view thereof;

FIG. 4 is a right side elevational view thereof;

FIG. 5 is a left side elevational view thereof;

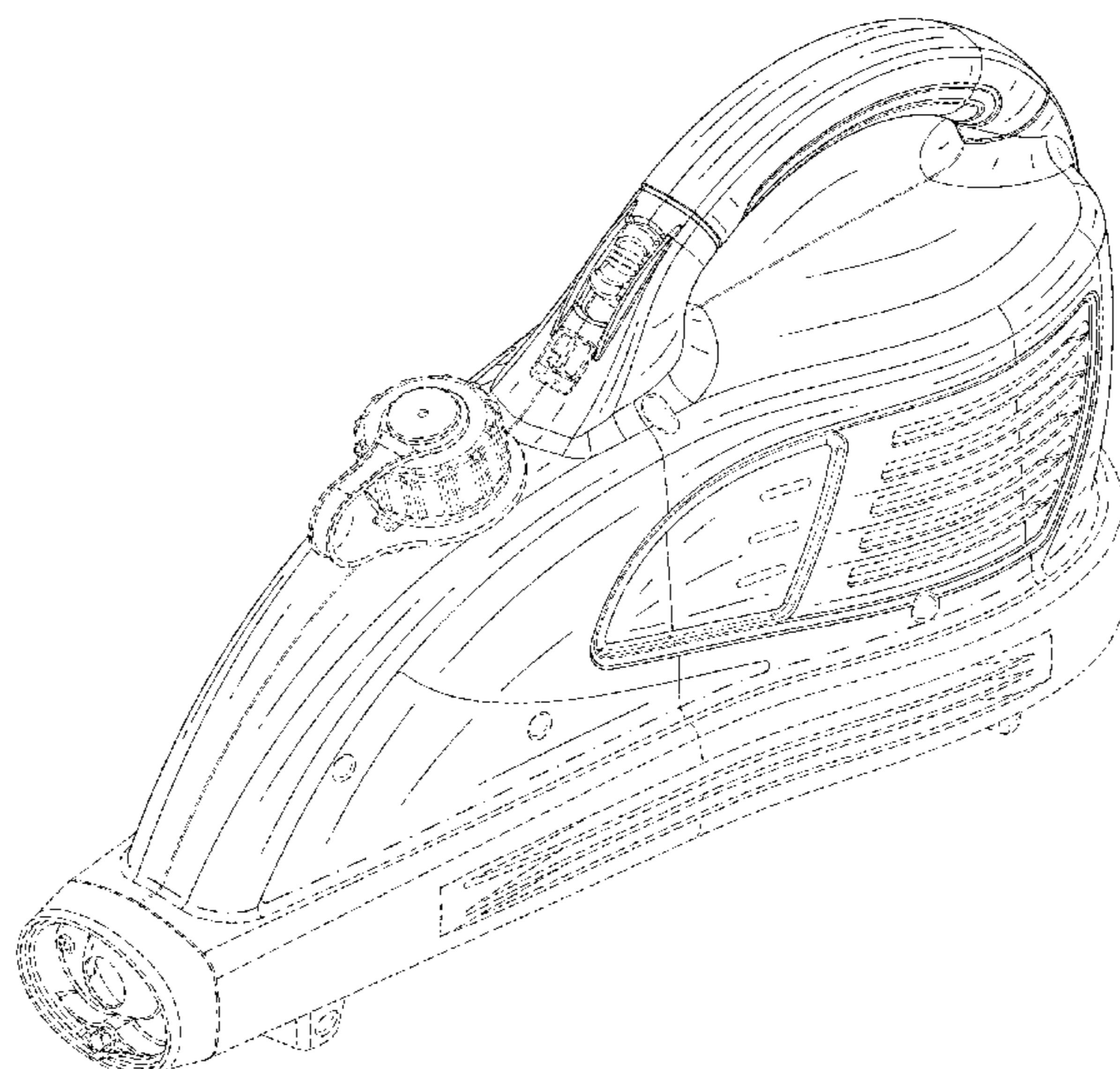
FIG. 6 is a top planar view thereof;

FIG. 7 is a bottom planar view thereof; and,

FIG. 8 is a bottom isometric view thereof.

The broken lines in the drawing views represent portions of the misting device that form no part of the claimed design.

1 Claim, 7 Drawing Sheets



(56)

References Cited

U.S. PATENT DOCUMENTS

D312,297 S * 11/1990 Ballu D23/225
 5,072,884 A * 12/1991 Ellison A01M 7/0085
 239/373
 D387,270 S * 12/1997 Bifulco D23/225
 6,837,447 B1 1/2005 Clark
 D507,642 S * 7/2005 Radtke D23/379
 D518,253 S * 3/2006 Erlich D32/18
 7,065,944 B1 6/2006 Steele
 D620,651 S * 7/2010 Enervold D32/17
 7,766,256 B2 8/2010 Loaces
 D623,363 S * 9/2010 Ediger D32/17
 7,866,571 B2 1/2011 Miler et al.
 7,946,511 B2 5/2011 Ballu
 D648,908 S * 11/2011 Ediger D32/17
 D656,693 S * 3/2012 Lavy D32/17
 8,224,481 B2 7/2012 Bylsma et al.
 D668,822 S * 10/2012 Tinius D32/15
 8,327,845 B2 12/2012 Weinstein et al.
 D674,564 S * 1/2013 Mangano D32/17
 D675,713 S * 2/2013 Christensen D23/225
 8,726,939 B2 * 5/2014 Laible B05B 7/12
 137/892
 D708,801 S * 7/2014 Israel D32/17
 9,414,580 B2 8/2016 Franks et al.
 D777,991 S * 1/2017 Rousseau D29/125
 9,788,536 B1 10/2017 Dixon
 9,795,976 B2 10/2017 Eames et al.
 D822,162 S * 7/2018 Bonaventura D23/225
 10,028,497 B1 7/2018 Brookins
 D827,563 S * 9/2018 Burks D13/102
 D836,861 S * 12/2018 Tse D32/15
 D844,263 S * 3/2019 Ediger D32/17
 D869,107 S * 12/2019 Israel D32/17
 D905,358 S * 12/2020 Suzuki D32/21
 D905,359 S * 12/2020 Sun D32/21
 2004/0046052 A1 3/2004 Chang
 2004/0118947 A1 * 6/2004 Amaduzzi B05B 12/002
 239/525

2004/0135004 A1 7/2004 Fex
 2004/0195383 A1 * 10/2004 Amaduzzi B05B 9/01
 239/526
 2004/0255564 A1 12/2004 Loaces
 2006/0123758 A1 6/2006 Loaces
 2007/0119972 A1 5/2007 Fex
 2008/0035758 A1 2/2008 Muller et al.
 2009/0008473 A1 1/2009 Fun
 2009/0014558 A1 1/2009 Phillips et al.
 2011/0113586 A1 5/2011 Loaces
 2011/0197389 A1 8/2011 Ota et al.
 2014/0312142 A1 10/2014 Lovett
 2015/0082689 A1 3/2015 Bertrand et al.
 2016/0262372 A1 9/2016 Kunz et al.
 2017/0209840 A1 7/2017 Swallow et al.
 2017/0209893 A1 7/2017 Swallow et al.
 2017/0252766 A1 9/2017 Post et al.
 2018/0207654 A1 7/2018 Phua
 2018/0304295 A1 * 10/2018 O'Mara A61M 35/003
 2018/0352800 A1 12/2018 Franks et al.
 2020/0246764 A1 * 8/2020 Putrello B05B 3/022
 2020/0331009 A1 * 10/2020 Moore B05B 3/1021
 2020/0391236 A1 * 12/2020 Recker B05B 7/0075

OTHER PUBLICATIONS

MooGun, <http://www.biotechsystemn.in.th/en/ULV-plugged-mistprayer-22911> (Year: 2018).
 Electric Fogging Machine, <https://www.envoplansupplies.co.uk/product/envofog-fogging-machine/> (Year: 2021).
 Mist Sprayer Blower, <https://www.winderstexas.com/catalog/p/GENEON-MIS01/SSS-The-Mistprayer-Blower/> (Year: 2021).
 Co-Pending U.S. Appl. No. 62/862,239, Fogger Apparatus, filed Jun. 17, 2019 (Year: 2019).
 Co-Pending U.S. Appl. No. 16/902,922, Mist Sprayer Apparatus, filed Jun. 16, 2020 (Year: 2020).
 Co-Pending U.S. Appl. No. 62/979,760, Mist Sprayer Apparatus, filed Feb. 21, 2020 (Year: 2020).

* cited by examiner

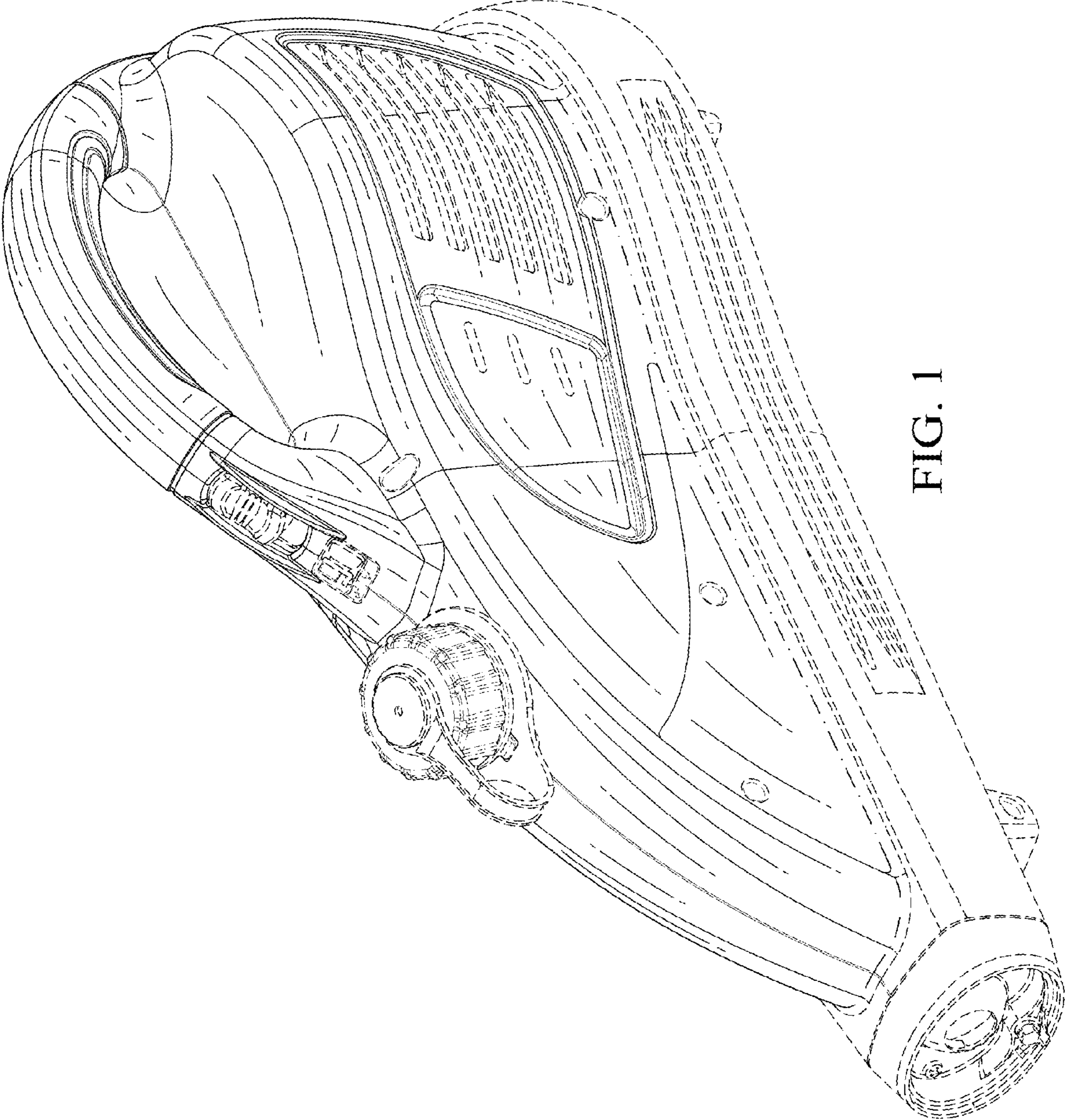


FIG. 1

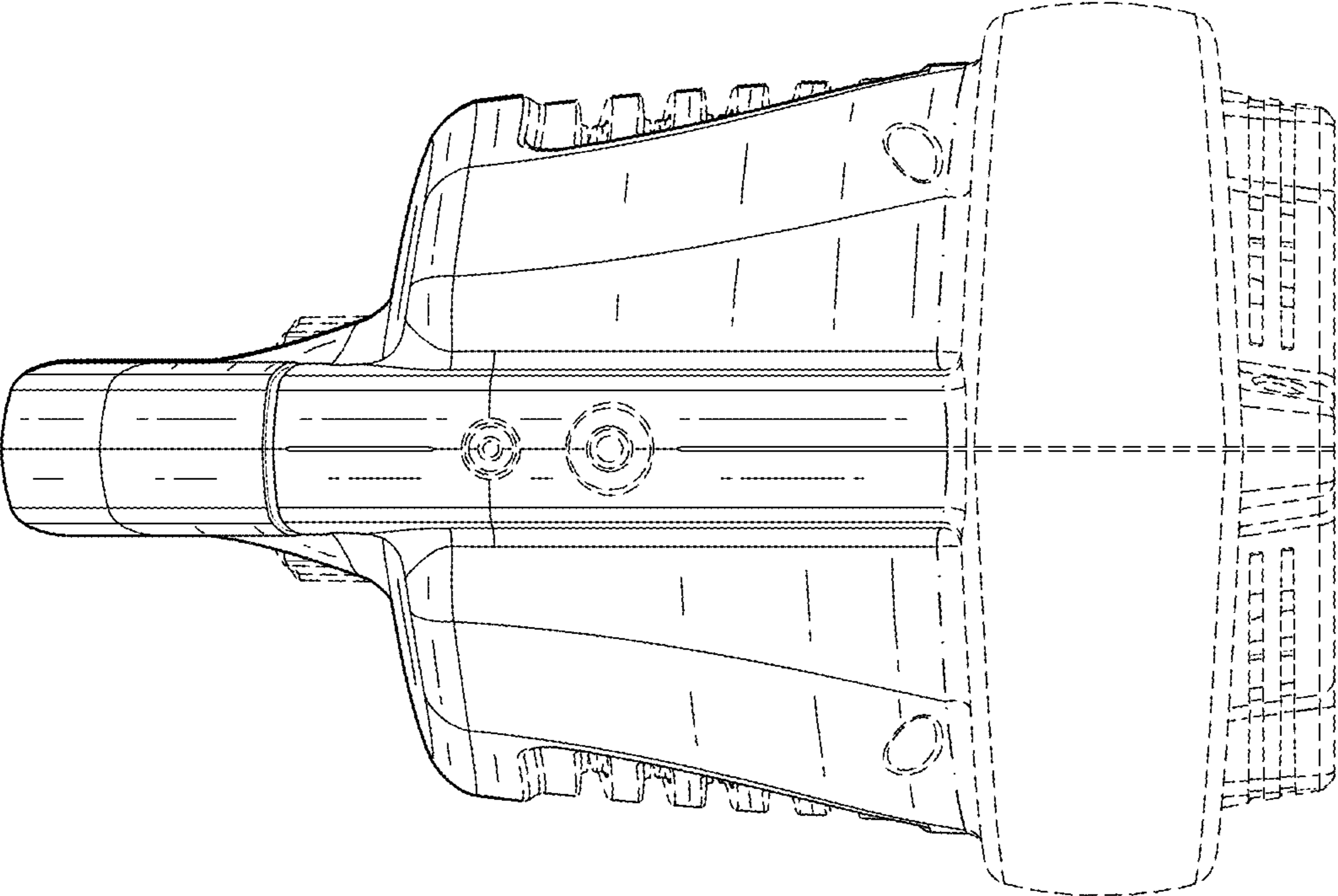


FIG. 3

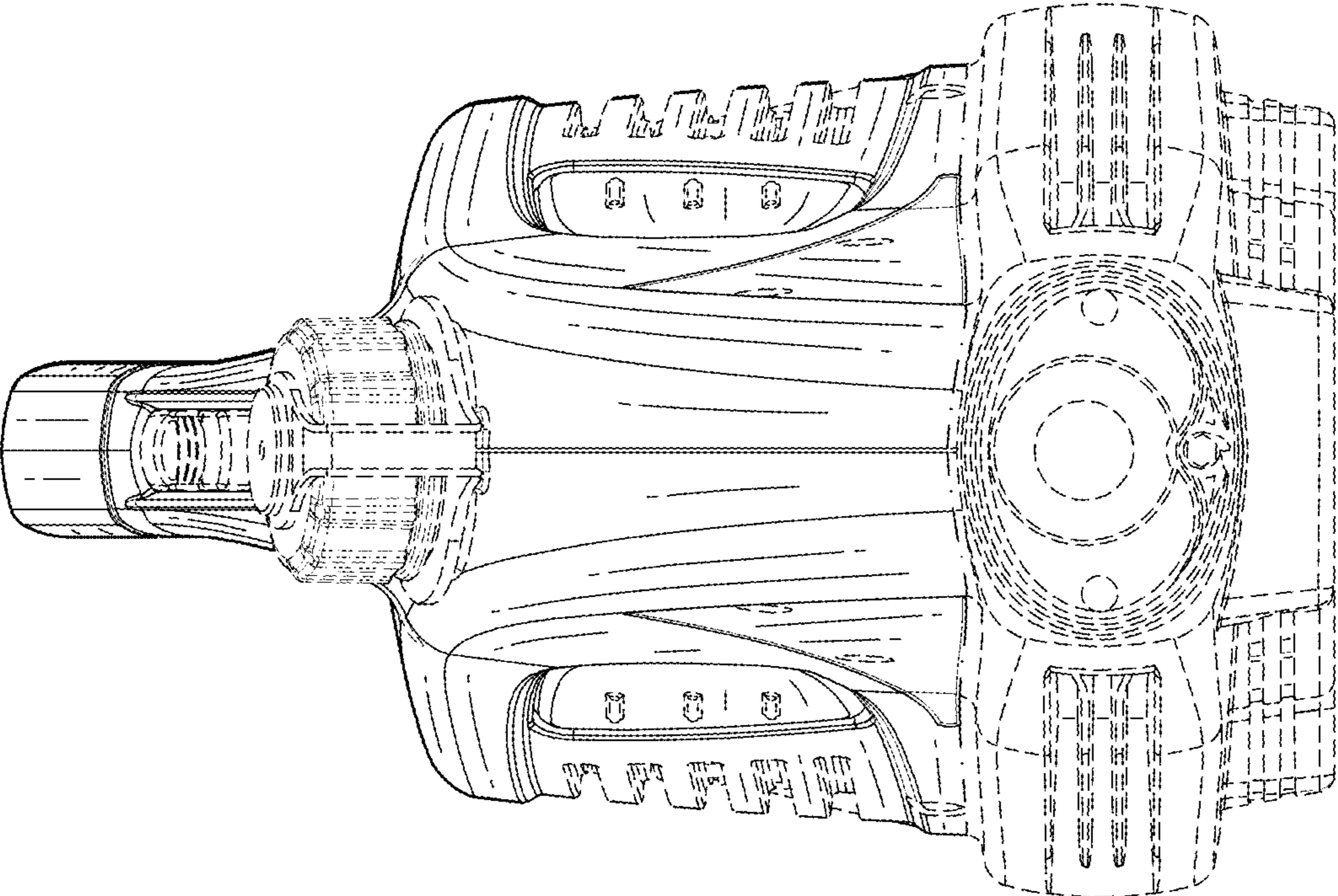


FIG. 2

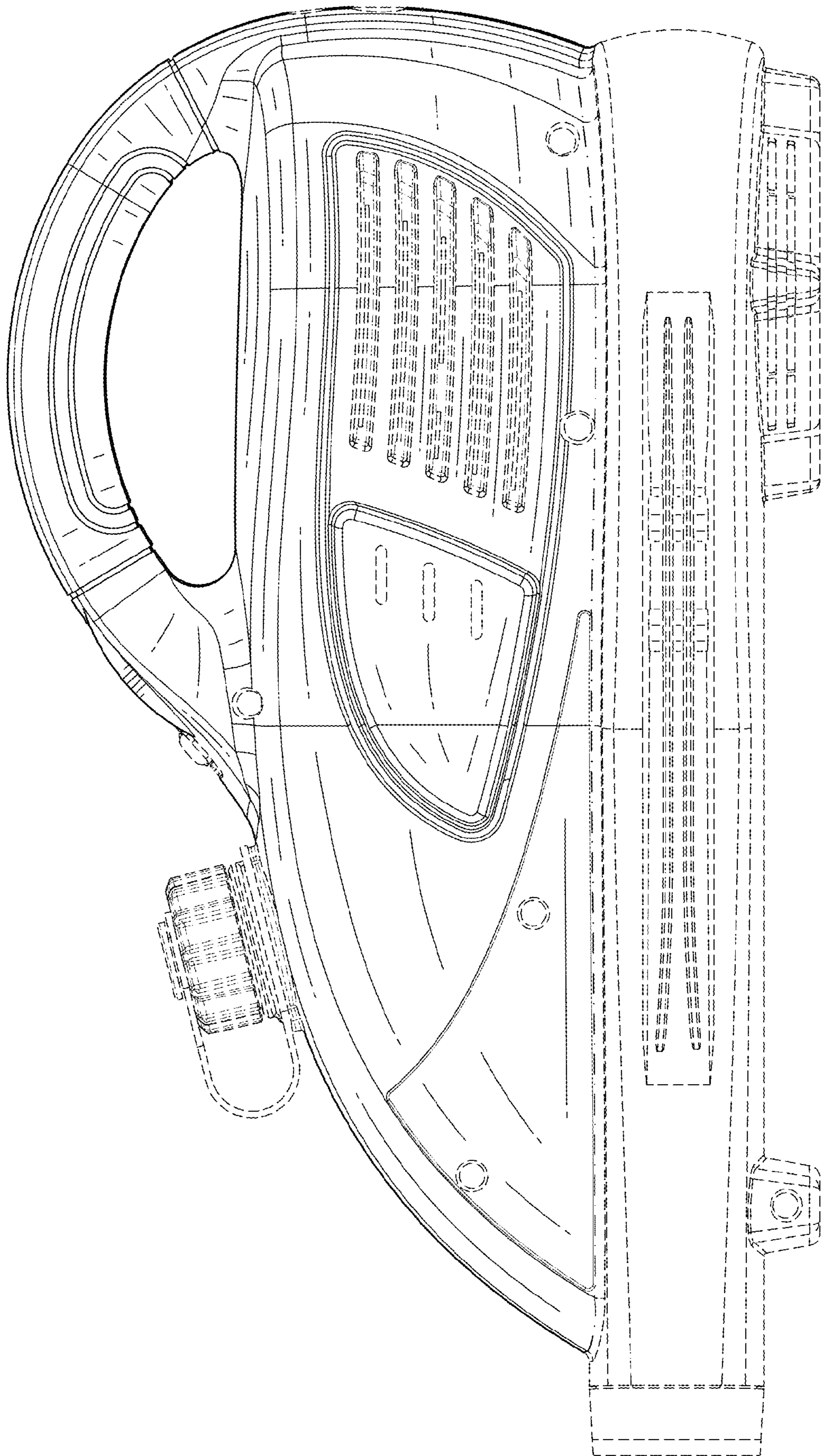


FIG. 4

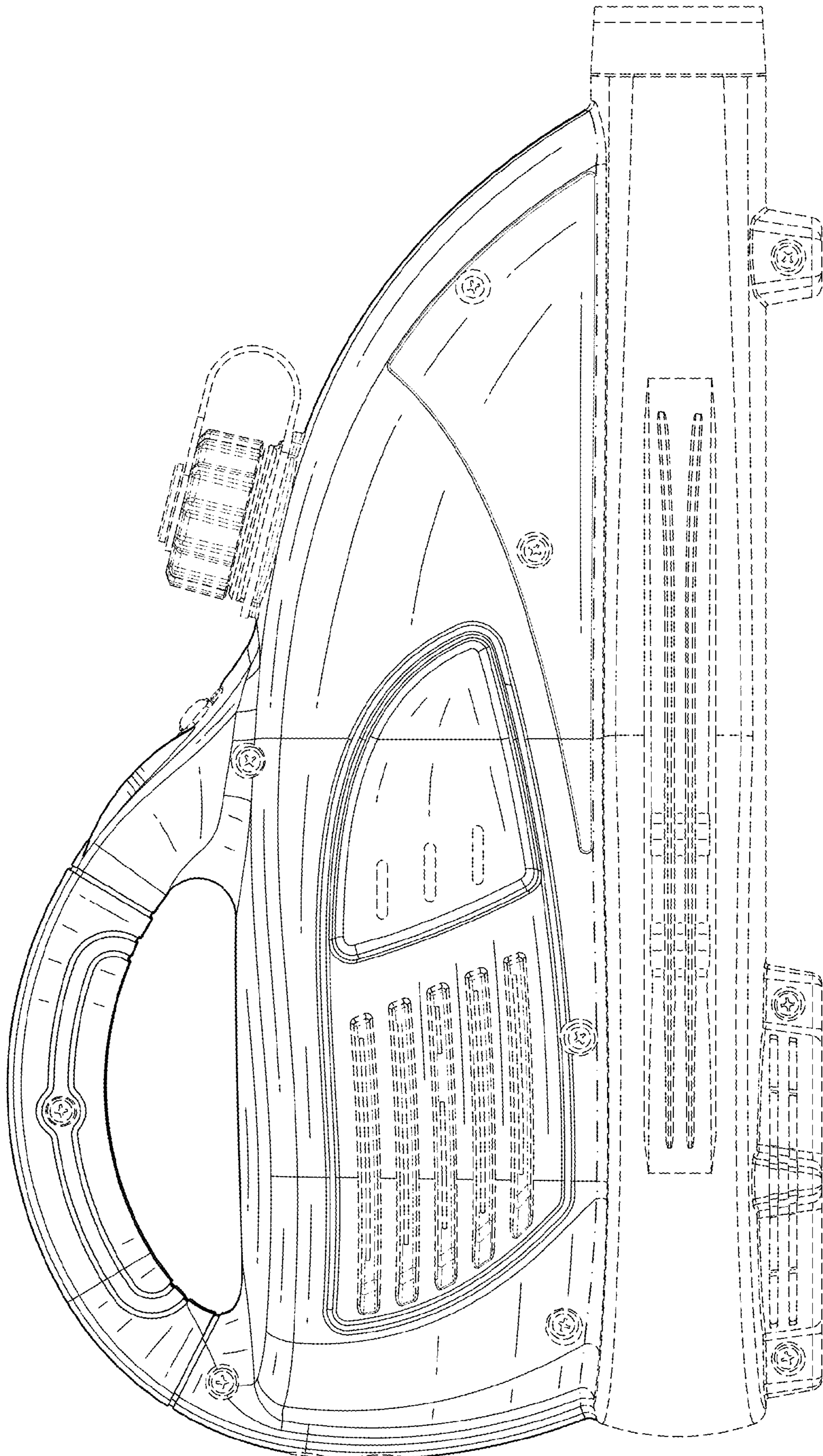


FIG. 5

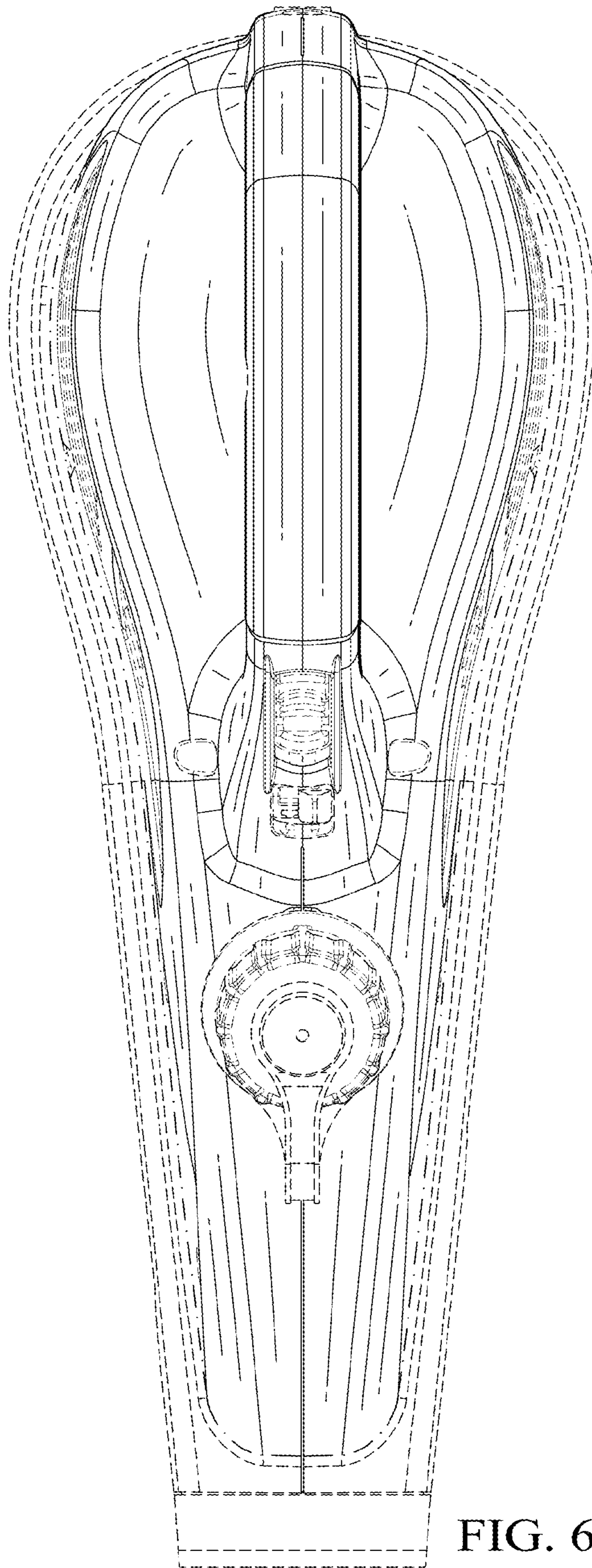


FIG. 6

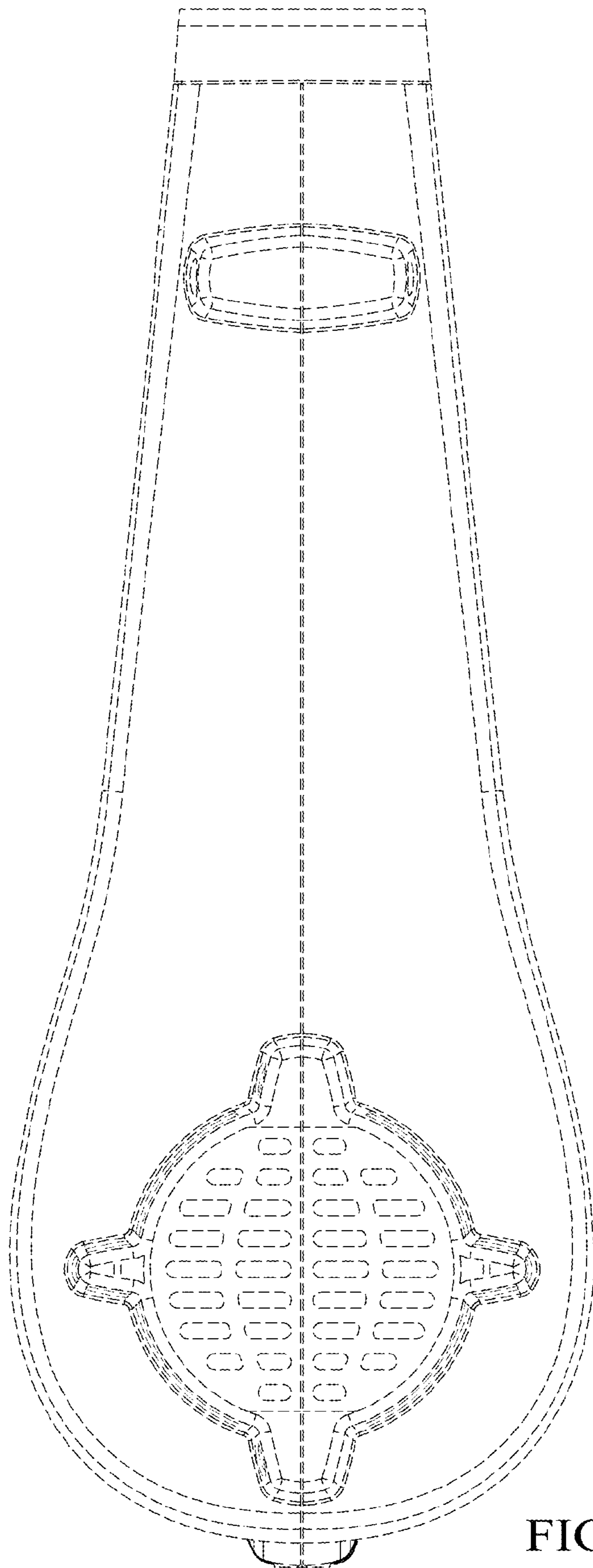


FIG. 7

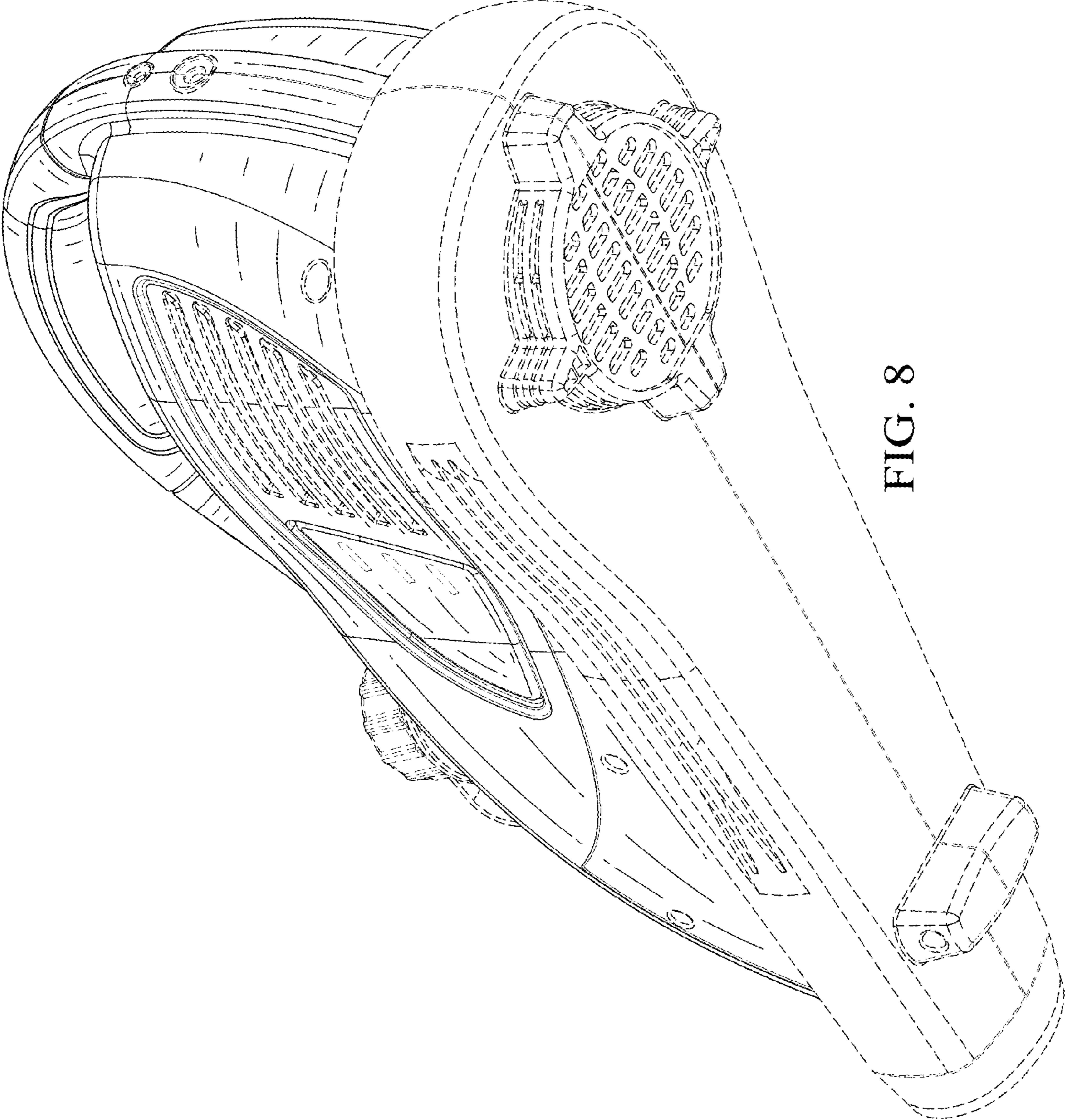


FIG. 8