



US00D941421S

(12) **United States Design Patent** (10) **Patent No.:** **US D941,421 S**
Kruse et al. (45) **Date of Patent:** **** Jan. 18, 2022**

(54) **FILTER ELEMENT** D820,956 S * 6/2018 Ito D23/235
10,124,284 B2 11/2018 Kruse
(71) Applicant: **SATA GmbH & Co. KG,** D844,107 S * 3/2019 Ito D23/233
Kornwestheim (DE) D844,108 S * 3/2019 Ito D23/235
D850,579 S * 6/2019 Ito D23/209

(72) Inventors: **Albrecht Kruse**, Stuttgart (DE);
Norbert Maier, Allmersbach i.T. (DE);
Sven Schulze, Gemmrigheim (DE);
Stefan Gehret, Tübingen-Derendingen
(DE)

(Continued)
FOREIGN PATENT DOCUMENTS
CN 303070851 S 1/2015
CN 303102696 S 2/2015
(Continued)

(73) Assignee: **SATA GmbH & Co. KG,**
Kornwestheim (DE)

OTHER PUBLICATIONS
Vita Fresh Shower Filters, Sep. 9, 2016. ebay.com Apr. 23, 2018.
URL: <https://www.ebay.com/p/15009469035> (Year: 2016).*
(Continued)

(**) Term: **15 Years**

(21) Appl. No.: **29/729,042**

(22) Filed: **Mar. 24, 2020**

(30) **Foreign Application Priority Data**
Sep. 25, 2019 (EM) 006928818-0002

(51) **LOC (13) Cl.** **23-01**

(52) **U.S. Cl.**
USPC **D23/207**

(58) **Field of Classification Search**
USPC D23/209, 235, 341, 358, 363-365, 207;
D15/5
CPC B01D 46/0002; B01D 46/10; F02M 35/04;
F02M 35/10; F02M 35/024
See application file for complete search history.

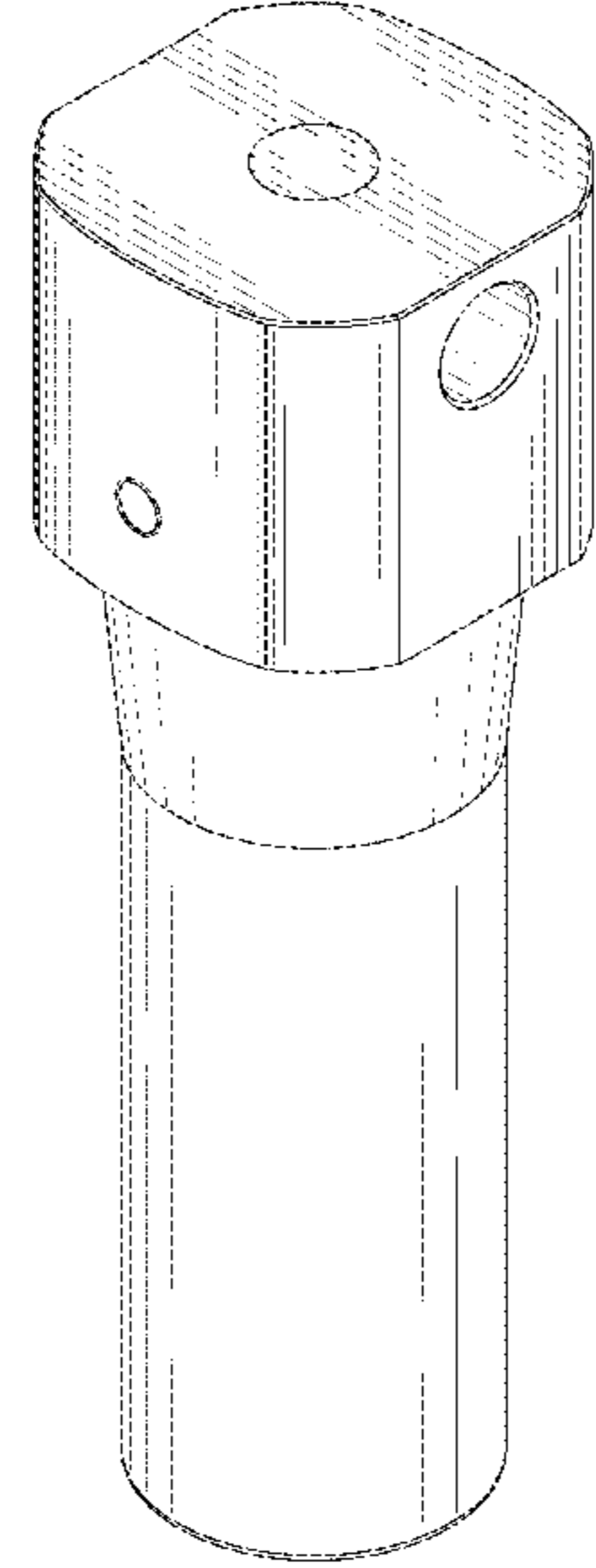
(56) **References Cited**
U.S. PATENT DOCUMENTS
D317,346 S * 6/1991 Ito D23/209
D659,815 S * 5/2012 Yamase D23/365
D768,812 S 10/2016 Kruse
D792,554 S 7/2017 Kruse
D793,524 S 8/2017 Kruse
D794,752 S 8/2017 Kruse

Primary Examiner — Jack Reickel
Assistant Examiner — Keith J Wilson
(74) *Attorney, Agent, or Firm* — Paul D. Bianco; Gary S. Winer; Fleit Intellectual Property Law

(57) **CLAIM**
The ornamental design for a filter element, as shown and described.

DESCRIPTION
FIG. 1 is a perspective view of a filter element according to the present invention;
FIG. 2 is a front view of the filter element of FIG. 1;
FIG. 3 is a back view of the filter element of FIG. 1;
FIG. 4 is a top view of the filter element of FIG. 1;
FIG. 5 is a bottom view of the filter element of FIG. 1;
FIG. 6 is a first side view of the filter element of FIG. 1; and,
FIG. 7 is a second side view of the filter element of FIG. 1.
The broken lines in the drawings depict portions of the filter element that form no part of the claimed design.

1 Claim, 6 Drawing Sheets



(56)

References Cited

U.S. PATENT DOCUMENTS

D854,126	S	*	7/2019	Ito	D23/235
D888,886	S	*	6/2020	Tanaka	D23/209
D890,297	S	*	7/2020	Tanaka	D23/209
D892,975	S	*	8/2020	Tanaka	D23/209
D893,674	S	*	8/2020	Tanaka	D23/209
D894,330	S	*	8/2020	Tanaka	D23/209
D894,331	S	*	8/2020	Tanaka	D23/209
D907,176	S	*	1/2021	Qiang	D23/209
D909,606	S	*	2/2021	Maibach, Jr.	D24/232
D916,265	S	*	4/2021	Jung	D23/364
D920,469	S	*	5/2021	Babaie	D23/207
D921,151	S	*	6/2021	Cho	D23/207
D924,361	S	*	7/2021	Matsushita	D23/235

FOREIGN PATENT DOCUMENTS

CN	204293977	U	4/2015
CN	303387736	S	9/2015
CN	205517053	U	8/2016

OTHER PUBLICATIONS

Finderomend 1" NPT Air Drying System,Air Compressor Regulator,Compressed Air Filter, Jul. 22, 2021, Amazon.com, Aug. 31, 2021.URL: <https://www.amazon.com/Finderomend-Compressor-Regulator-Compressed-Polyethylene/dp/B097PPXH5C> (Year: 2021).*

Maxblue U8-ST Direct Connect Under Sink Water Filter, Feb. 22, 2021, Amazon.com, Aug. 31, 2021,URL: <https://www.amazon.com/Maxblue-Connect-Undersink-Filtration-Chlorine/dp/B08X459D3V> (Year: 2021).*

PneumaticPlus SAF2000M-N02B Miniature Compressed Air Particulate Filter, Aug. 26, 2011, Amazon.com, Aug. 31, 2021.URL: <https://www.amazon.com/PneumaticPlus-SAF2000M-N02B-Miniature-Compressed-Particulate/dp/B005JDL2IC> (Year: 2011).*

* cited by examiner

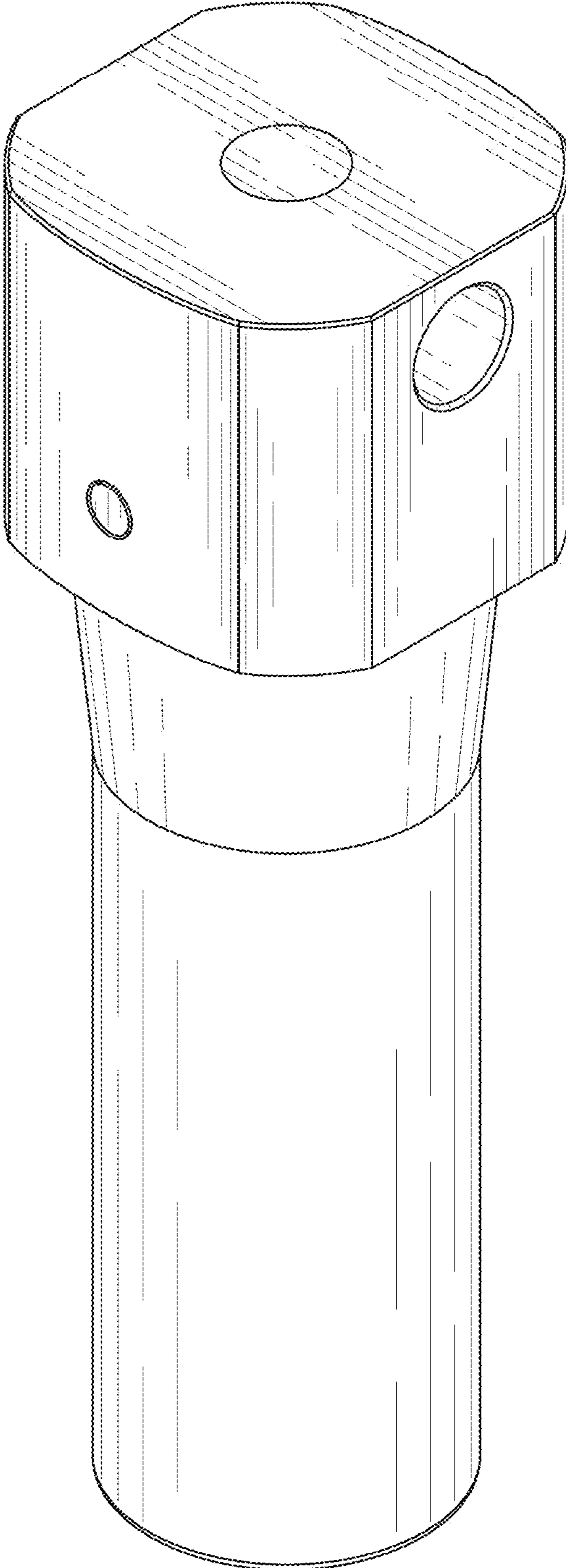


FIG. 1

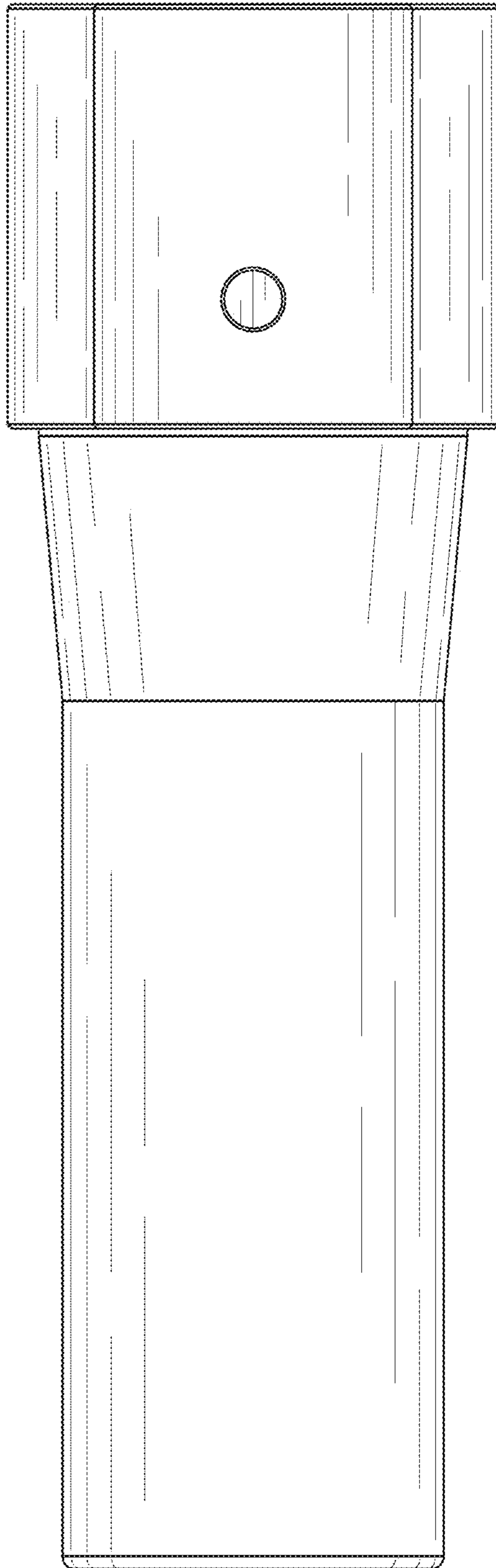


FIG. 2

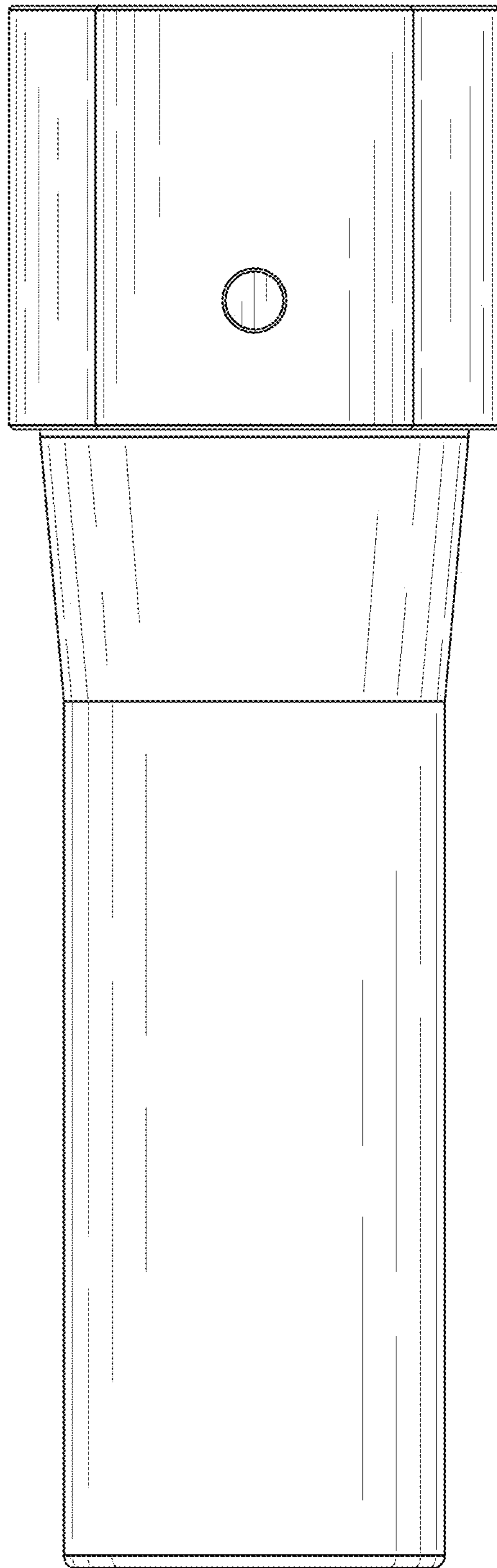


FIG. 3

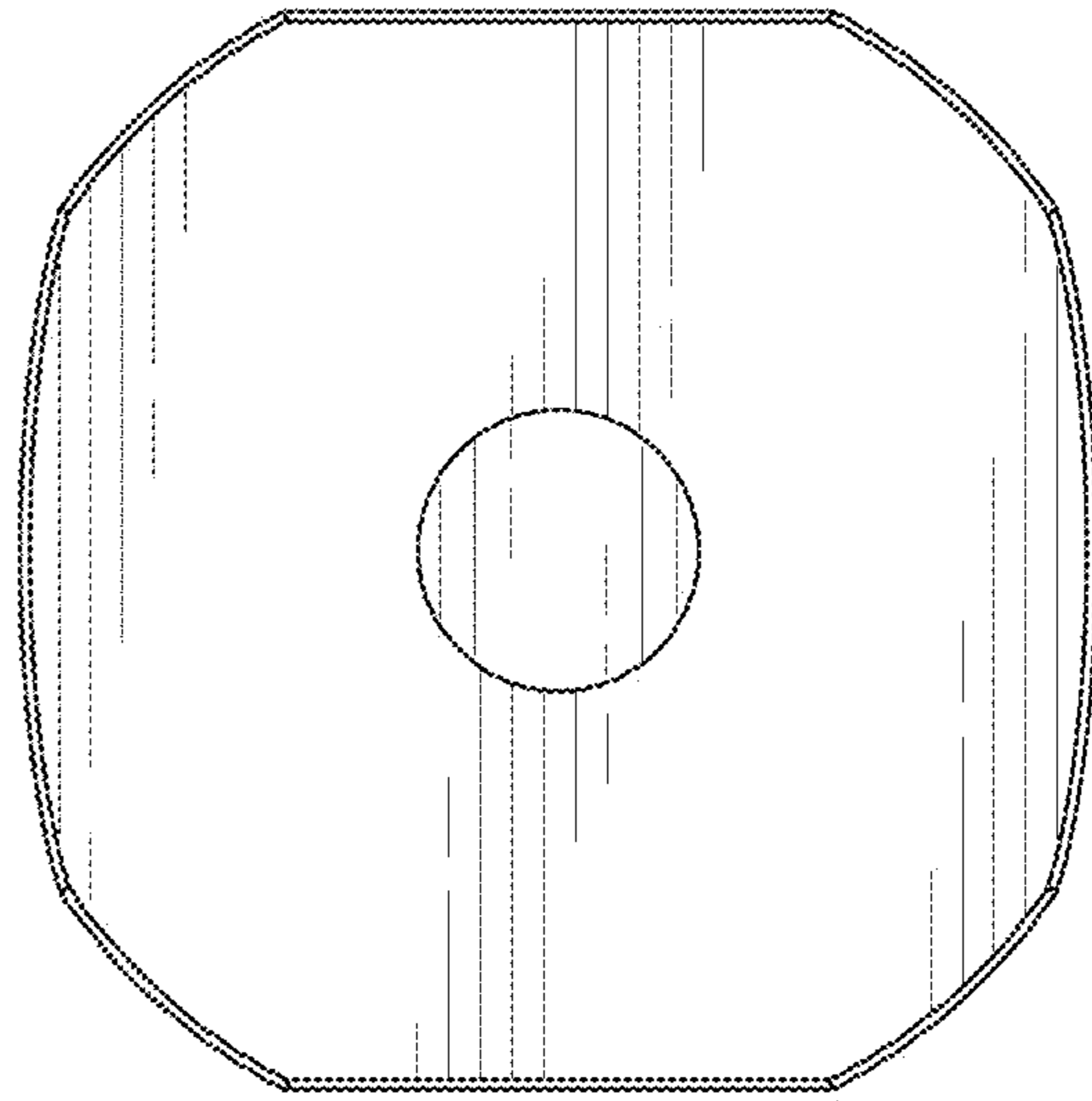


FIG. 4

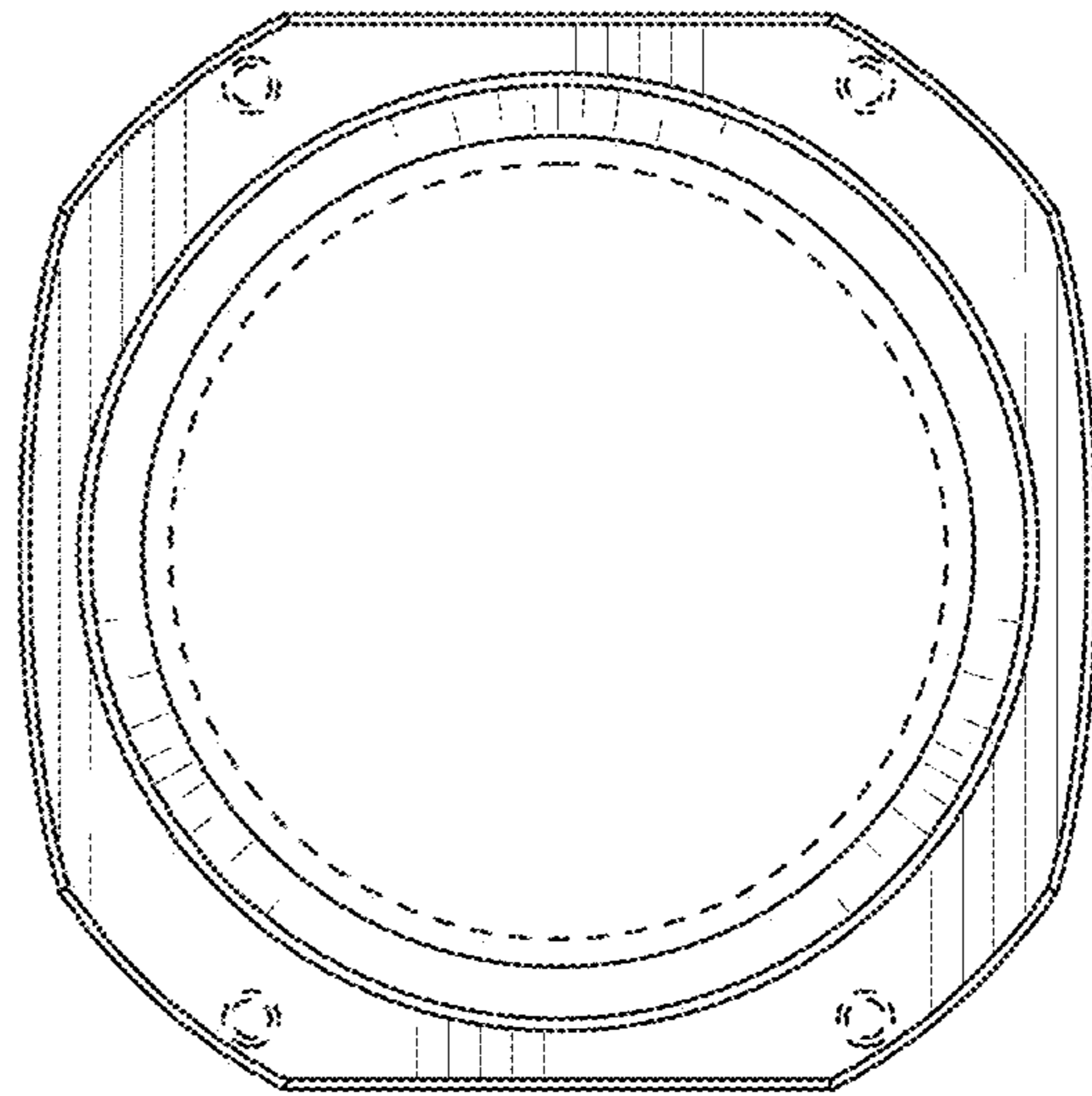


FIG. 5

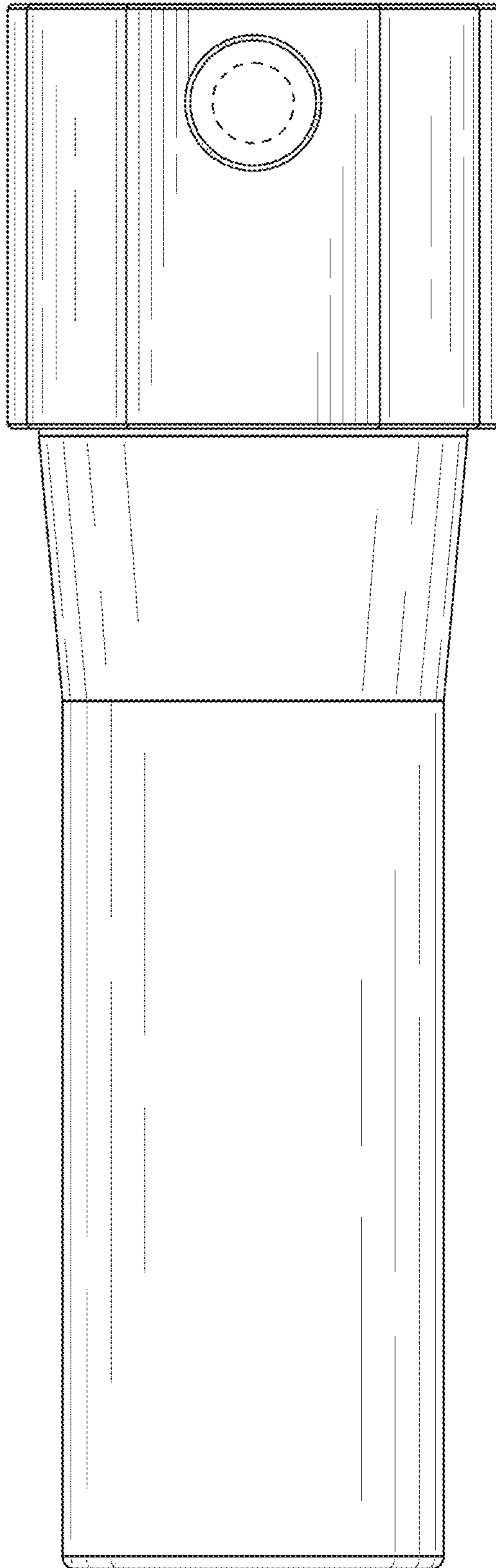


FIG. 6

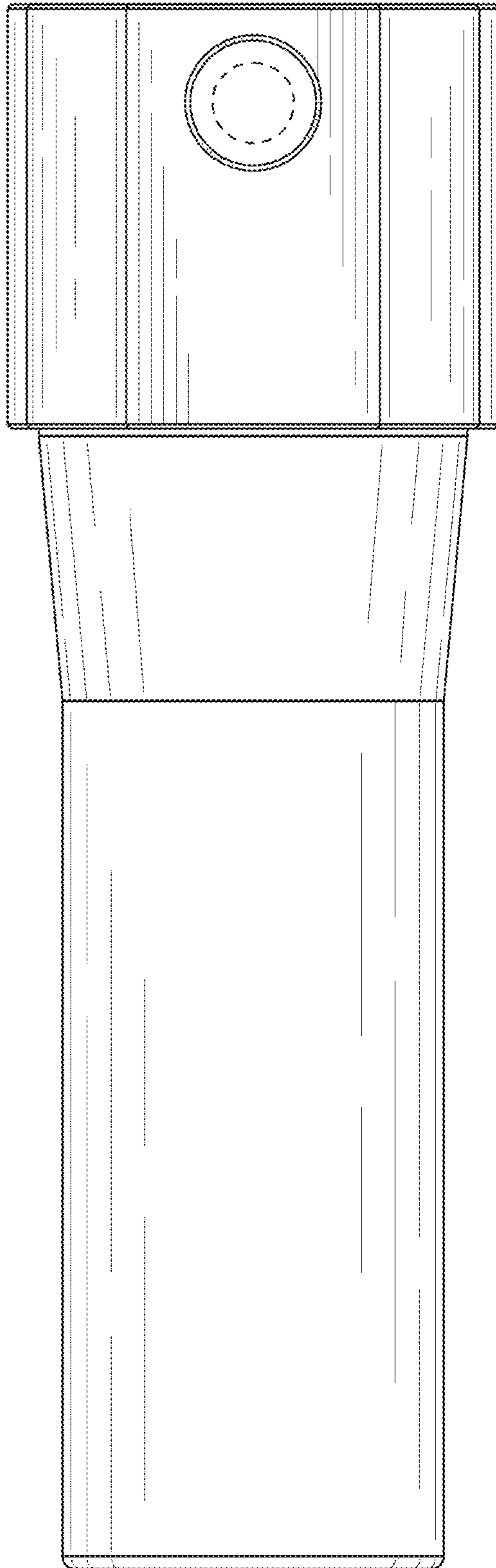


FIG. 7