



US00D941420S

(12) **United States Design Patent**
Beall

(10) **Patent No.:** **US D941,420 S**

(45) **Date of Patent:** **** Jan. 18, 2022**

(54) **FISHING REEL CAP**

(71) Applicant: **Christopher J. Beall**, Delavan, WI
(US)

(72) Inventor: **Christopher J. Beall**, Delavan, WI
(US)

(**) Term: **15 Years**

(21) Appl. No.: **29/733,904**

(22) Filed: **May 7, 2020**

(51) **LOC (13) Cl.** **22-05**

(52) **U.S. Cl.**
USPC **D22/140**

(58) **Field of Classification Search**
USPC D22/137-139, 140-141; D11/121
CPC A01K 89/00; A01K 89/0183; A01K
89/0192; A01K 89/09; A01K 89/004;
A01K 89/006; A01K 89/015
See application file for complete search history.

(56) **References Cited**

U.S. PATENT DOCUMENTS

D459,430 S * 6/2002 Burke D22/140
D460,994 S * 7/2002 Burke D22/140

D521,104 S * 5/2006 Wong D22/140
D803,348 S * 11/2017 Huang D22/140
D861,124 S * 9/2019 Furukawa D22/140
10,433,532 B1 * 10/2019 Bagby A01K 89/0102

* cited by examiner

Primary Examiner — Catherine R Oliver-Garcia
(74) *Attorney, Agent, or Firm* — Salter & Michaelson

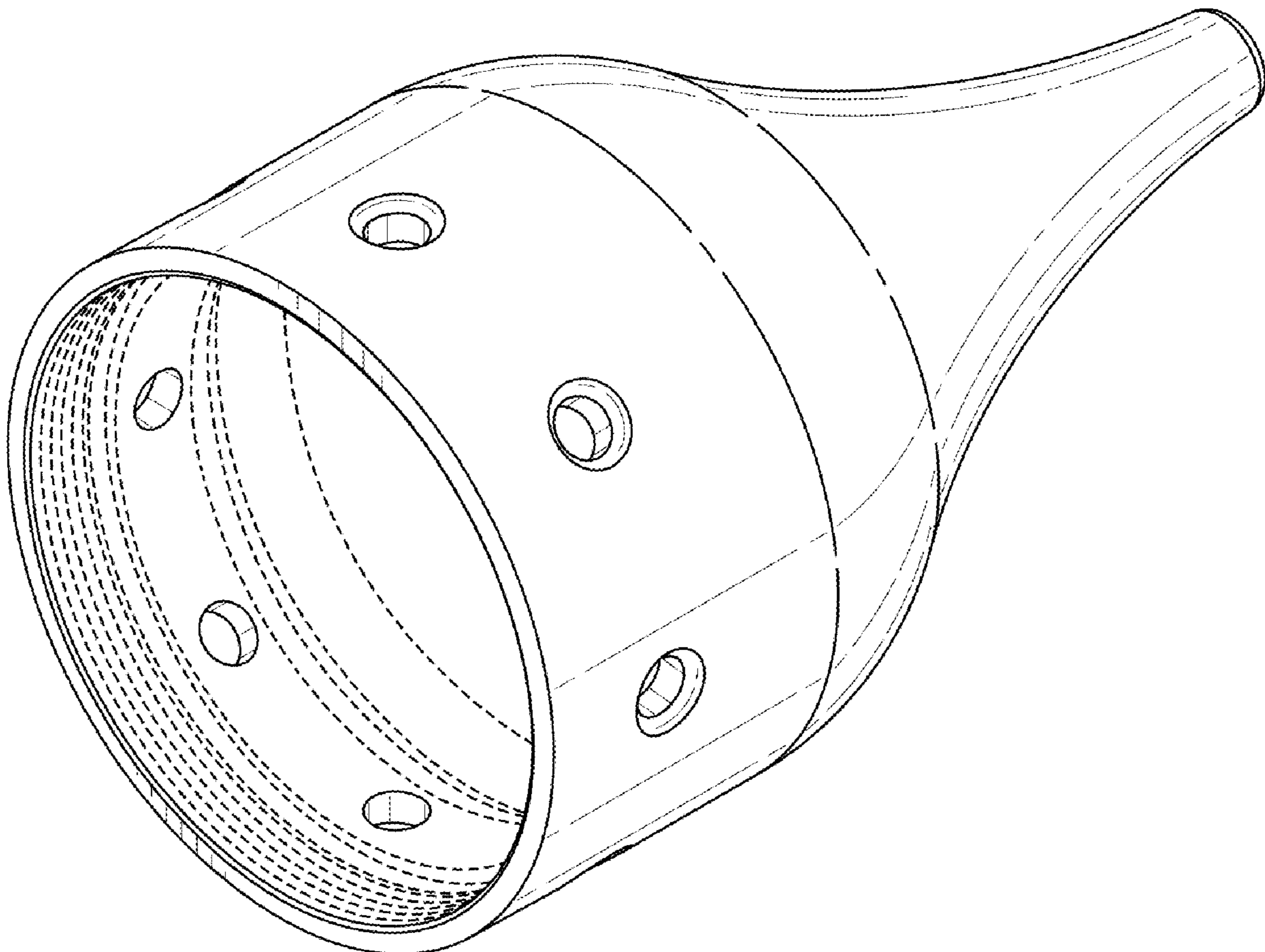
(57) **CLAIM**

The ornamental design for a fishing reel cap, as shown and described.

DESCRIPTION

FIG. 1 is a perspective view of a fishing reel cap;
FIG. 2 is a top perspective view thereof;
FIG. 3 is a bottom perspective view thereof;
FIG. 4 is a left side elevational view thereof; the right side
being a mirror image;
FIG. 5 is a front elevational view thereof; and,
FIG. 6 is a rear elevational view thereof.
The broken lines shown in the drawing views are included
for the purpose of showing environmental structure that
forms no part of the claimed design.

1 Claim, 6 Drawing Sheets



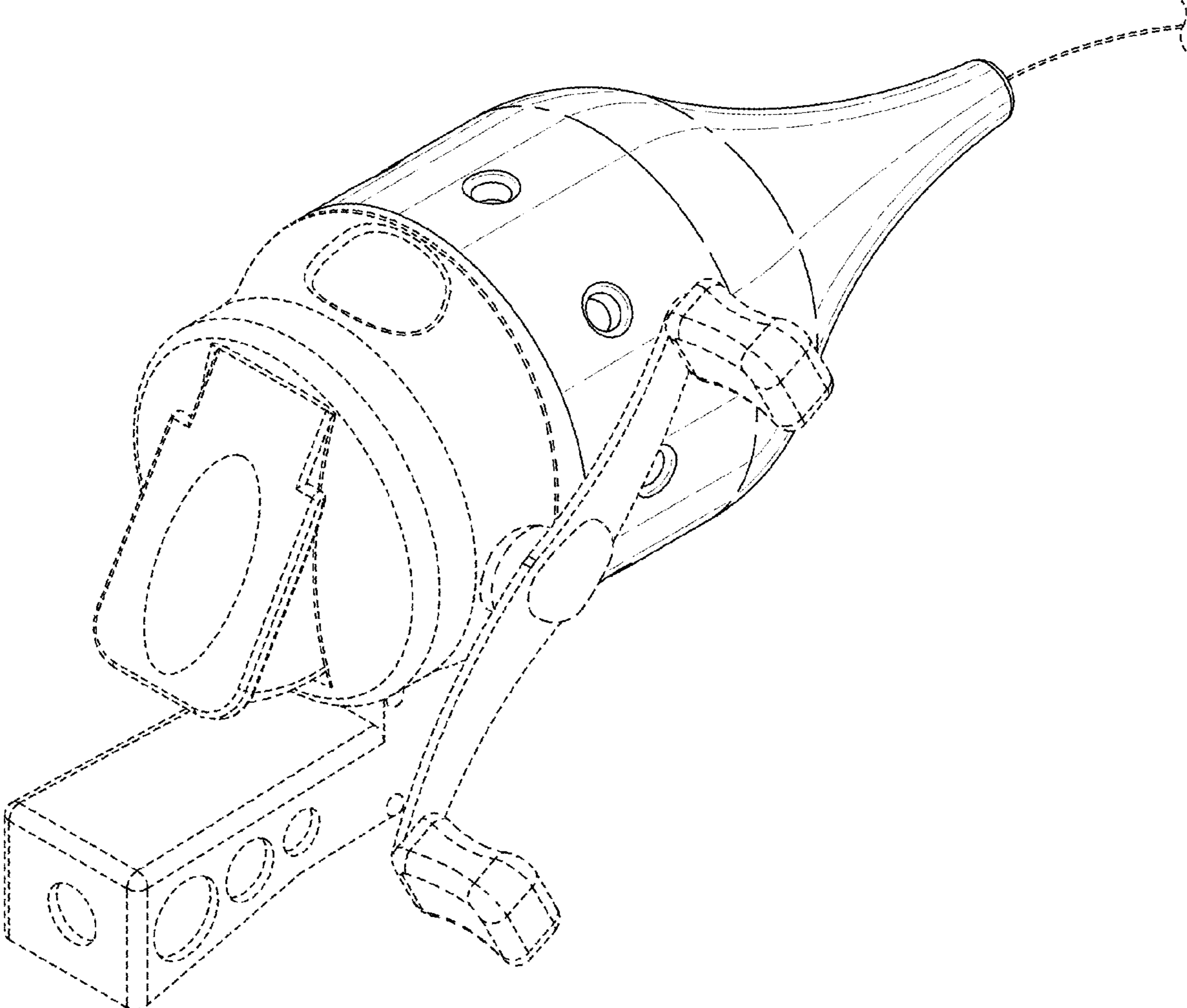


FIG. 1

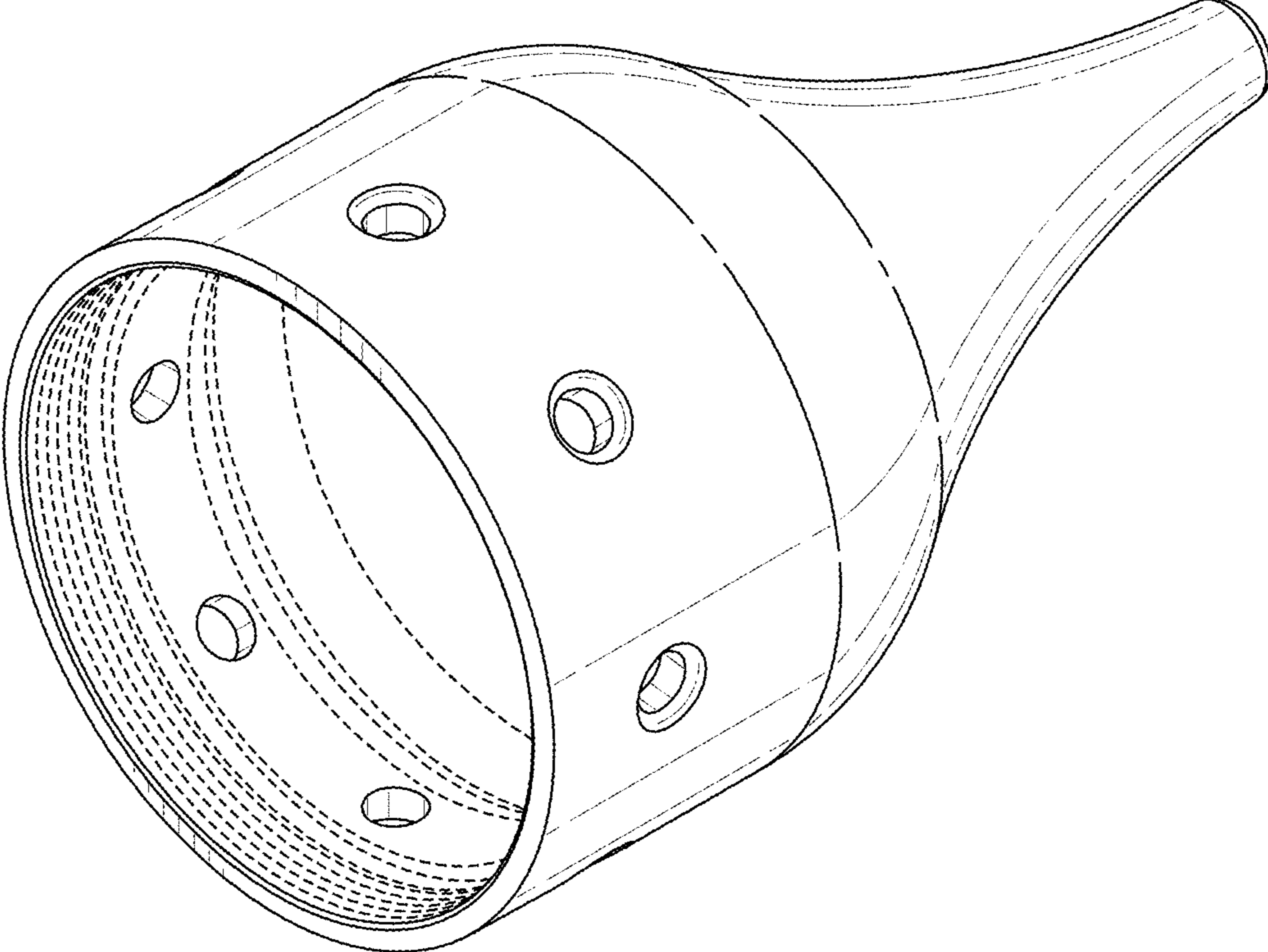


FIG. 2

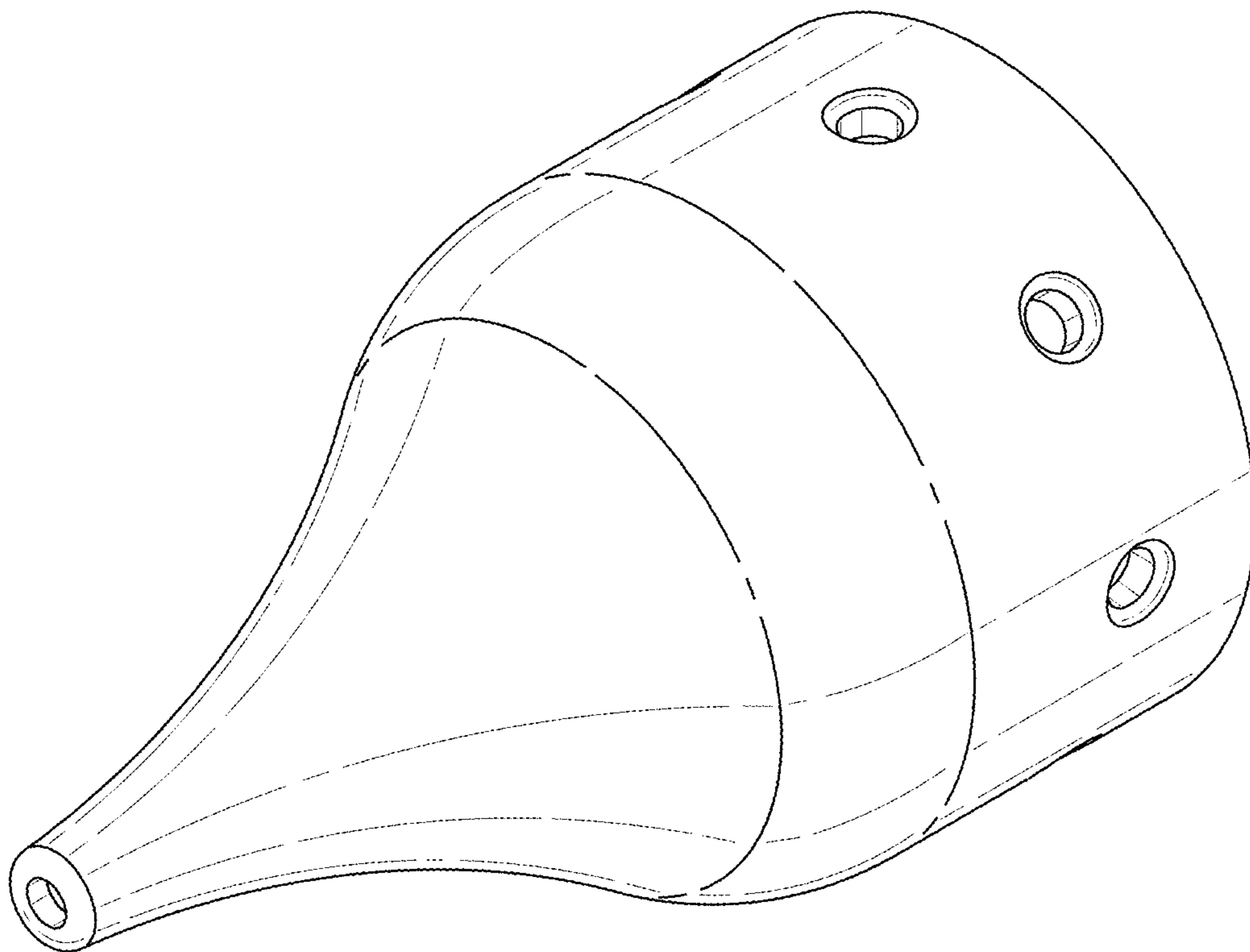


FIG. 3

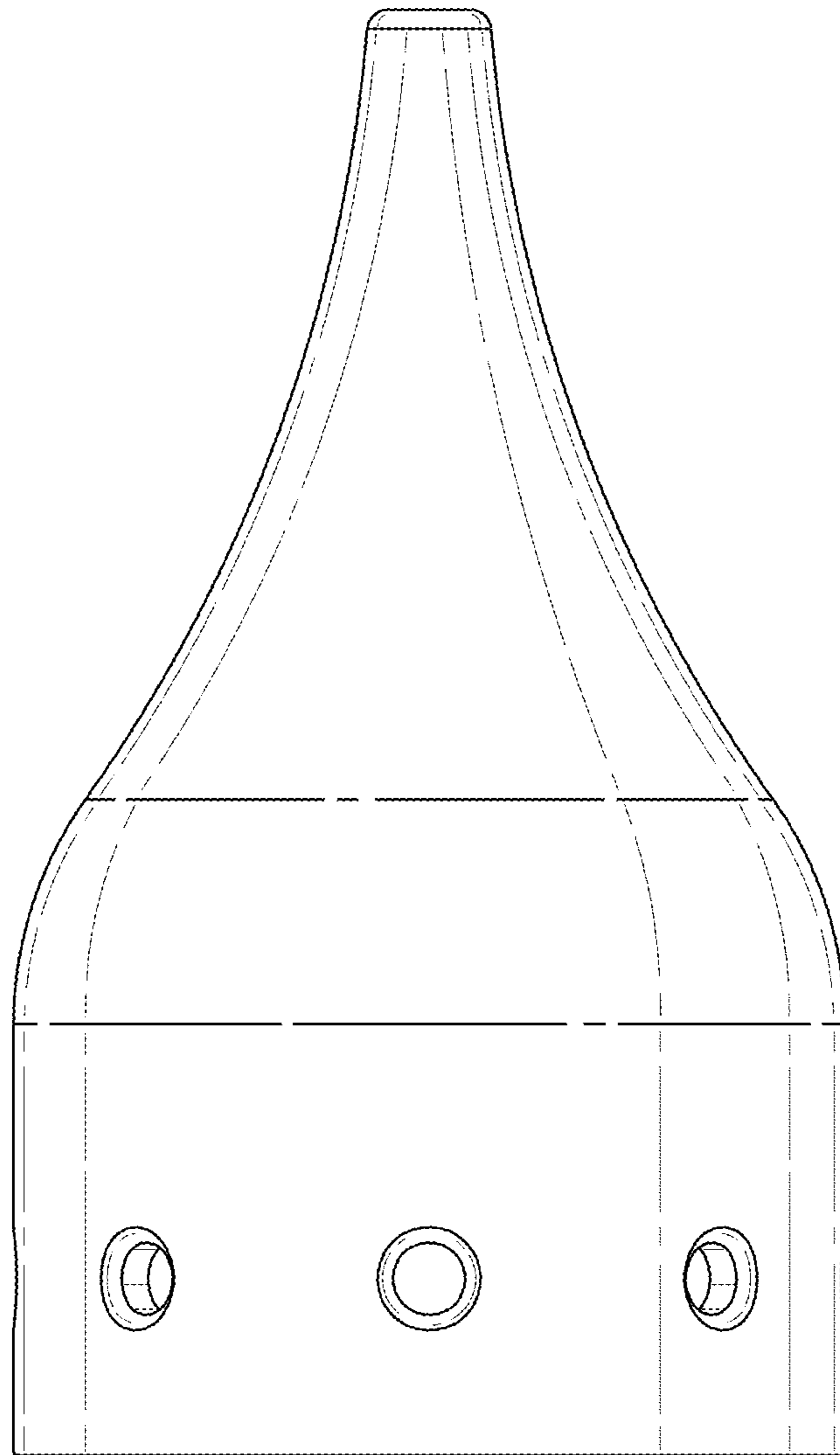


FIG. 4

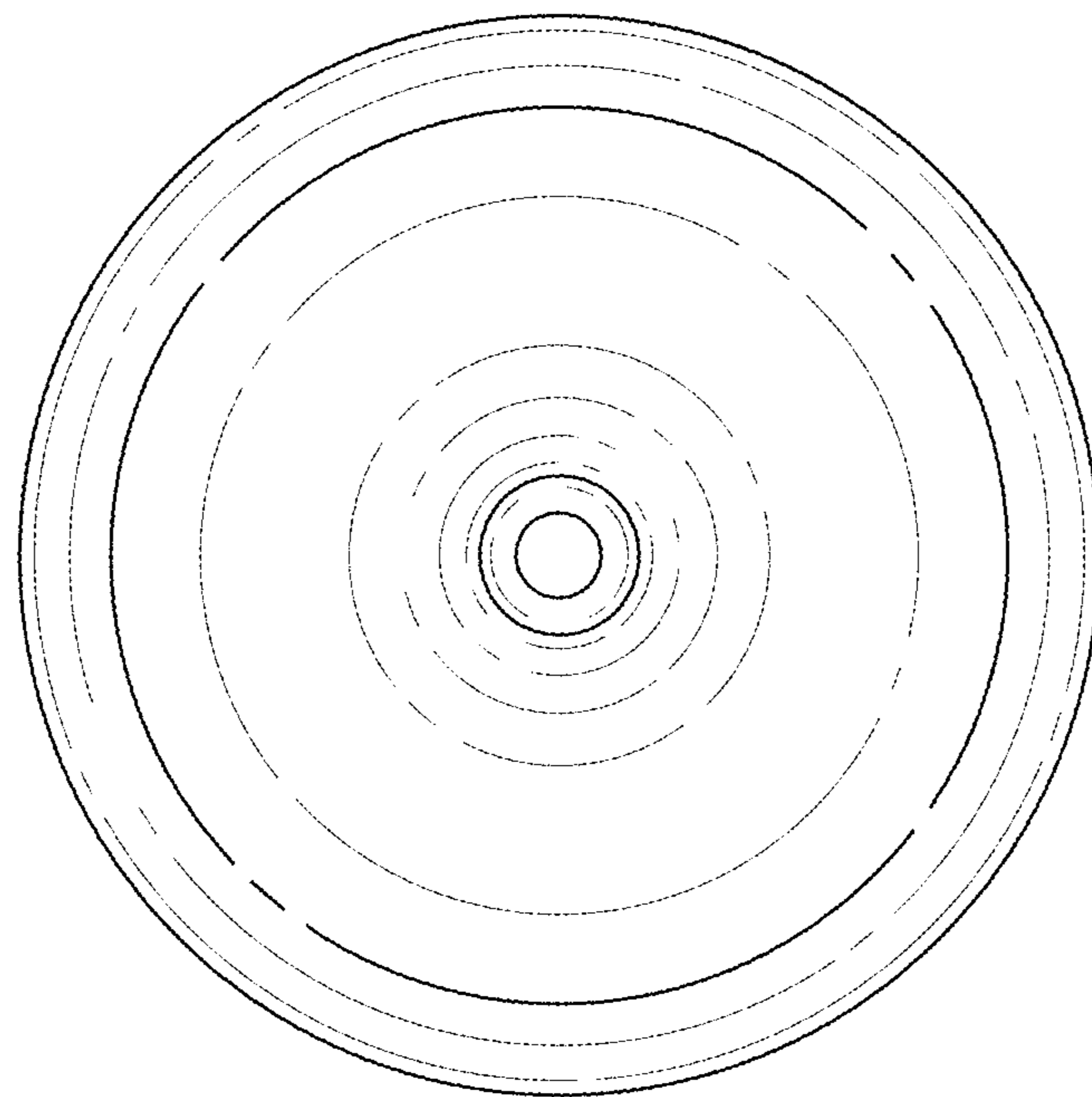


FIG. 5

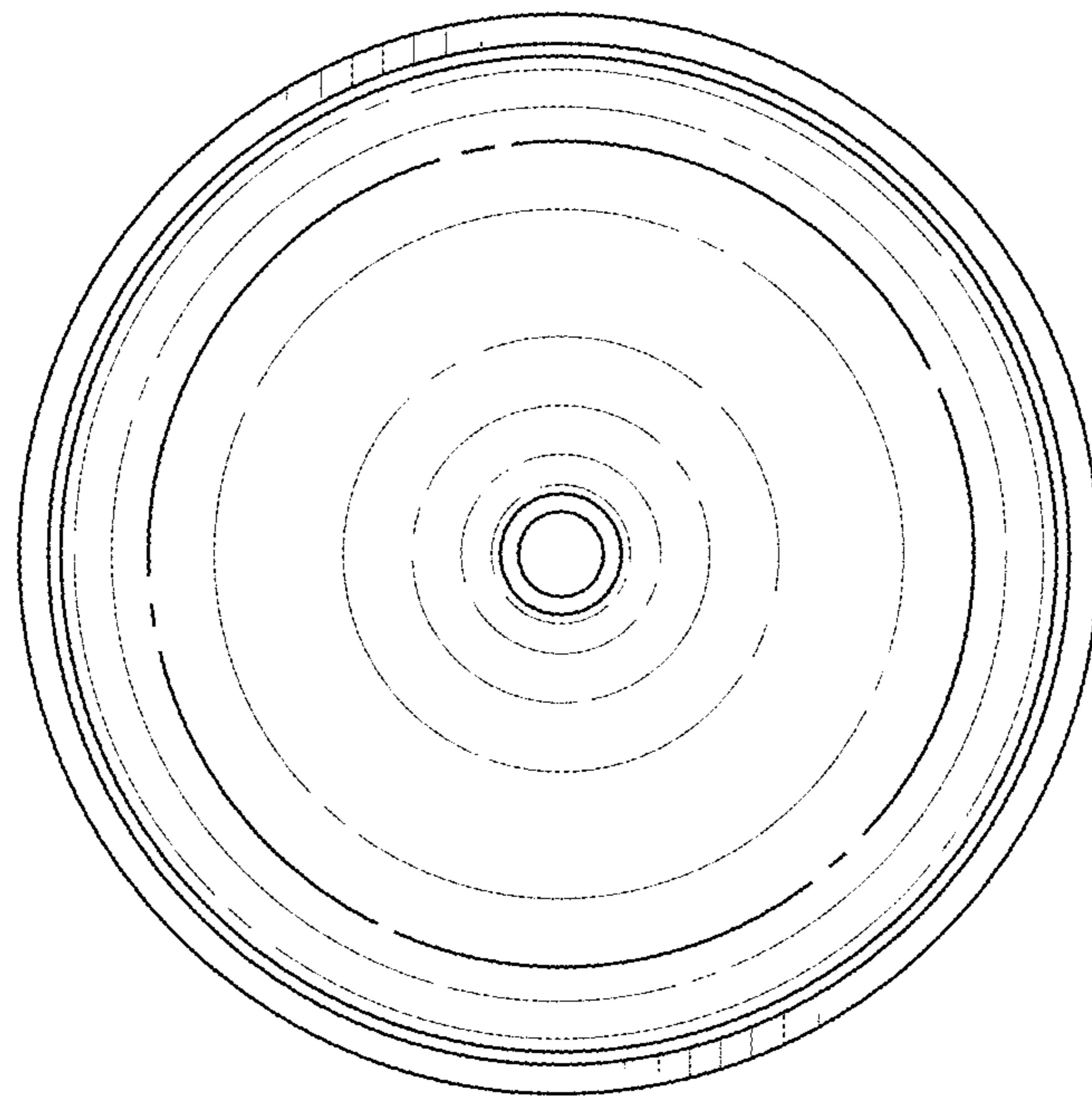


FIG. 6