



US00D941414S

(12) **United States Design Patent**
Zeng

(10) **Patent No.:** **US D941,414 S**
(45) **Date of Patent:** **** Jan. 18, 2022**

- (54) **TRAMPOLINE**
- (71) Applicant: **Guangzhou YuanPiao YunDong**
YongPin YouXian GongSi, Guangzhou
(CN)
- (72) Inventor: **Aifang Zeng**, Zijin County (CN)
- (**) Term: **15 Years**
- (21) Appl. No.: **29/766,143**
- (22) Filed: **Jan. 13, 2021**
- (51) **LOC (13) Cl.** **21-02**
- (52) **U.S. Cl.**
USPC **D21/797**
- (58) **Field of Classification Search**
USPC D21/798, 797, 672, 662, 686; 482/35,
482/29, 28, 27, 110, 23
CPC A63B 5/11; A63B 21/023; A63B 71/022;
A63B 2210/50; A63B 2208/12
See application file for complete search history.

- 6,129,649 A * 10/2000 Yang A63B 5/11
482/27
- D504,711 S * 5/2005 Hsiung D21/797
- D652,641 S * 1/2012 Mehr D6/334
- D666,266 S * 8/2012 Publicover D21/797
- D758,515 S 6/2016 Tsai
- D777,279 S 1/2017 de Boer
- D777,280 S * 1/2017 de Boer D21/797
- D777,865 S * 1/2017 de Boer D21/797
- D788,240 S * 5/2017 Ho D21/797
- D788,241 S 5/2017 Ho
- D788,243 S 5/2017 Bisang et al.
- D788,868 S 6/2017 Bisang et al.
- D791,260 S 7/2017 Ho
- D794,151 S * 8/2017 Ji D21/797
- D838,329 S 1/2019 Heymans
- D842,956 S * 3/2019 Kopf D21/797
- D843,535 S 3/2019 Kopf
- D843,536 S * 3/2019 Kopf D21/797
- D844,729 S * 4/2019 Fischer D21/797
- D844,730 S 4/2019 Fischer et al.

(Continued)

Primary Examiner — Ryan Harvey
(74) *Attorney, Agent, or Firm* — Xiaofang Zhong; Law
Office of Xiaofang Zhong, PLLC

(56) **References Cited**

U.S. PATENT DOCUMENTS

- D223,263 S * 4/1972 Goldstein D23/304
- 4,284,271 A * 8/1981 Pettit A63B 5/11
182/139
- 4,331,329 A * 5/1982 Mirkovich A63B 5/11
482/27
- 4,386,772 A * 6/1983 Wu A63B 5/11
482/28
- 5,613,922 A * 3/1997 Hsiang A63B 69/0097
108/8
- 5,967,943 A * 10/1999 Rich A63B 5/11
182/37
- 6,036,620 A * 3/2000 Yang A63B 5/11
482/27
- 6,110,074 A * 8/2000 Tacquet A63B 5/11
482/27

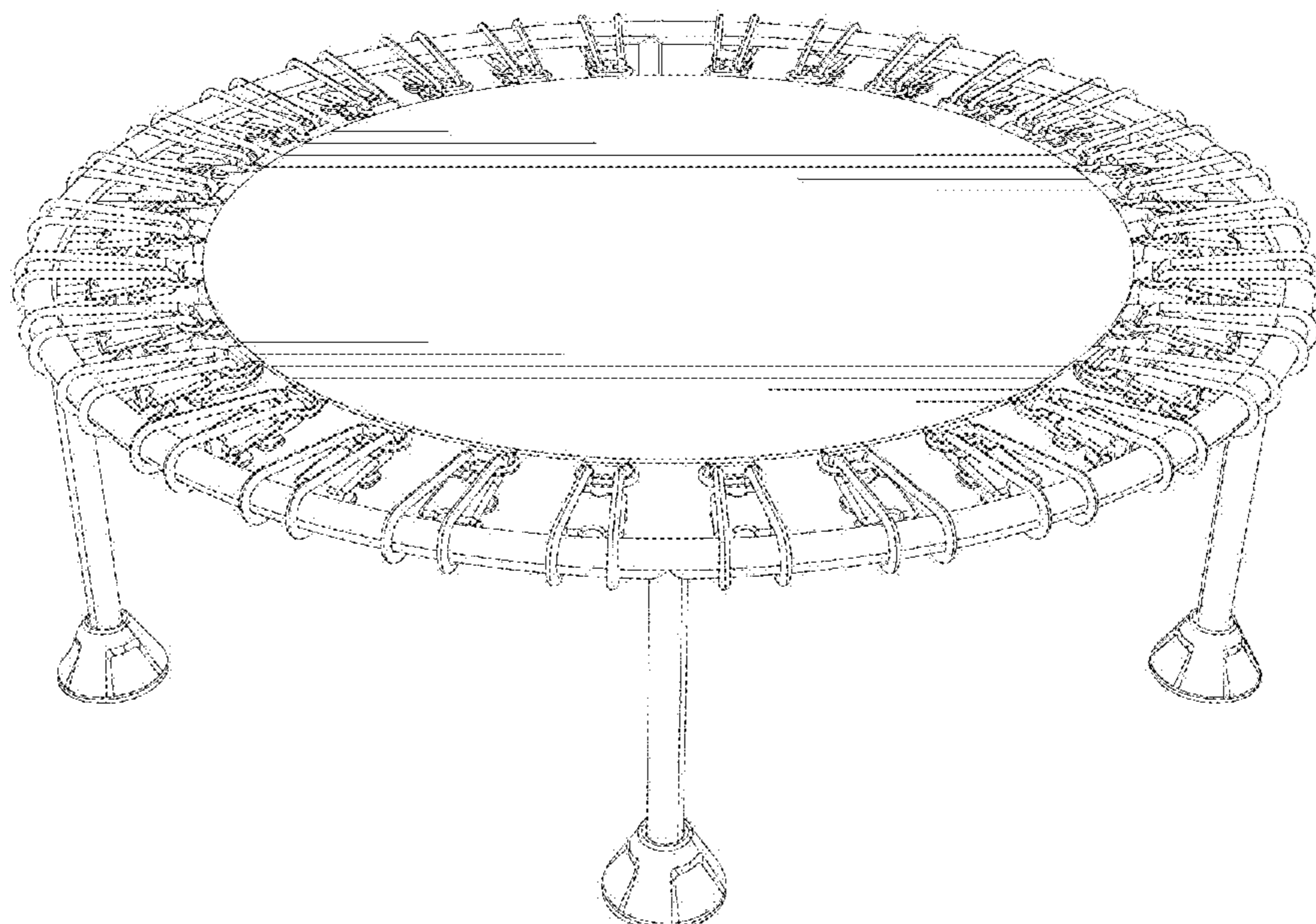
(57) **CLAIM**

The ornamental design for a trampoline, as shown and described.

DESCRIPTION

FIG. 1 is a perspective view of a trampoline showing my new design;
FIG. 2 is a front elevational view thereof;
FIG. 3 is a back elevational view thereof;
FIG. 4 is a right-side elevational view thereof;
FIG. 5 is a left-side elevational view thereof;
FIG. 6 is a top plan view thereof;
FIG. 7 is a bottom plan view thereof; and,
FIG. 8 is an enlarged perspective view of an area in FIG. 1.

1 Claim, 5 Drawing Sheets



(56)

References Cited

U.S. PATENT DOCUMENTS

D850,553 S * 6/2019 Kopf D21/797
 D853,507 S * 7/2019 Hammer D21/797
 D884,103 S * 5/2020 Hammer D21/797
 D920,458 S * 5/2021 Zeng D21/797
 D933,154 S * 10/2021 Chen D21/797
 11,167,165 B2 * 11/2021 Publicover A63B 21/0557
 2002/0160884 A1 * 10/2002 Hall A63B 5/11
 482/23
 2010/0009812 A1 * 1/2010 Pieper Genannt Schmauck
 A63B 5/11
 482/27
 2011/0034300 A1 * 2/2011 Hall A63B 5/11
 482/1
 2013/0210590 A1 * 8/2013 Publicover A63B 69/0097
 482/110
 2013/0316876 A1 * 11/2013 Publicover A63B 5/11
 482/27
 2014/0315691 A1 * 10/2014 Turner A63B 26/003
 482/27
 2015/0080186 A1 * 3/2015 Carlin A63B 5/11
 482/27
 2016/0045775 A1 * 2/2016 Zhou A63B 5/11
 482/27
 2016/0096056 A1 * 4/2016 de Boer A63B 5/11
 482/27
 2016/0256722 A1 * 9/2016 Tsai A63B 5/11
 2016/0310774 A1 * 10/2016 Publicover A63B 5/11
 2017/0182343 A1 * 6/2017 Ho A63B 21/00047
 2017/0216648 A1 * 8/2017 Male A63B 5/11
 2017/0232288 A1 * 8/2017 Ho A63B 5/11
 482/28
 2018/0280750 A1 * 10/2018 Fischer A63B 21/4035
 2018/0353789 A1 * 12/2018 Tseng A63B 1/00
 2020/0338379 A1 * 10/2020 Chen F16B 7/0433

* cited by examiner

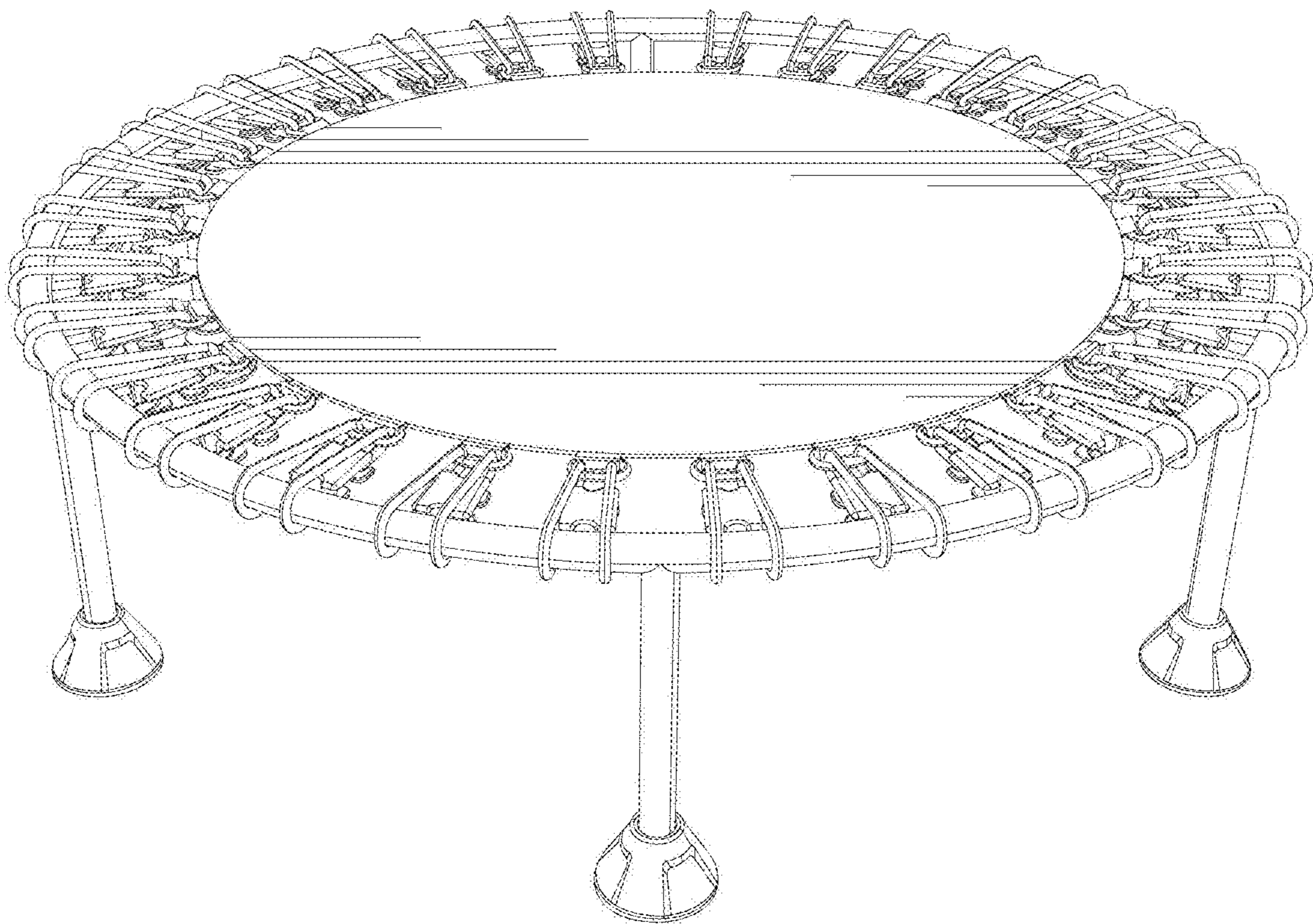


FIG. 1

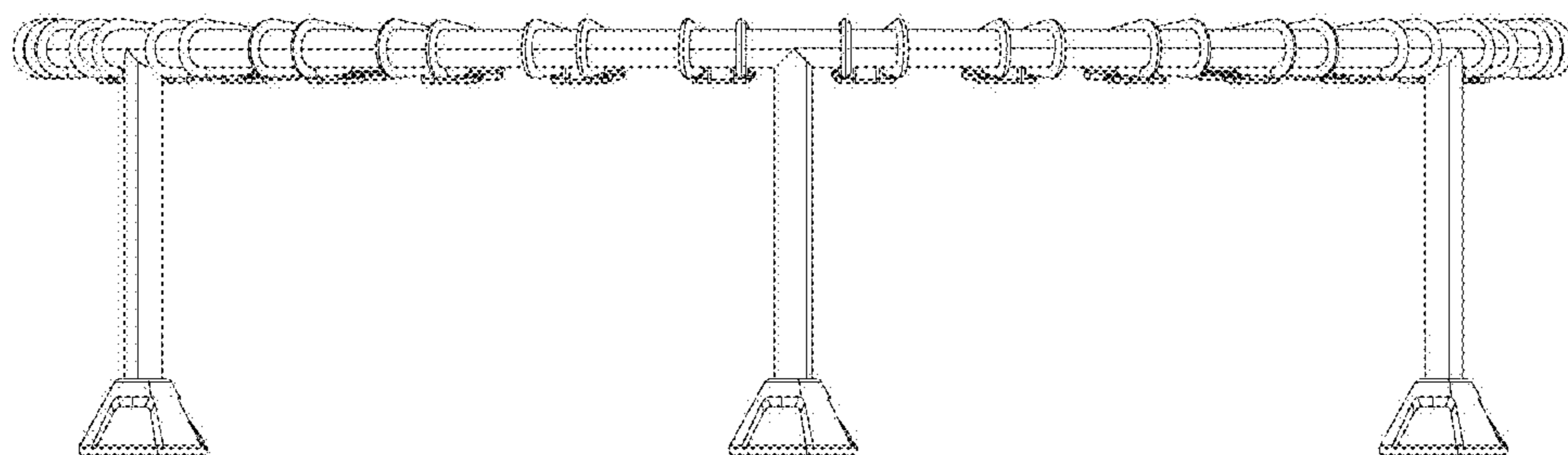


FIG. 2

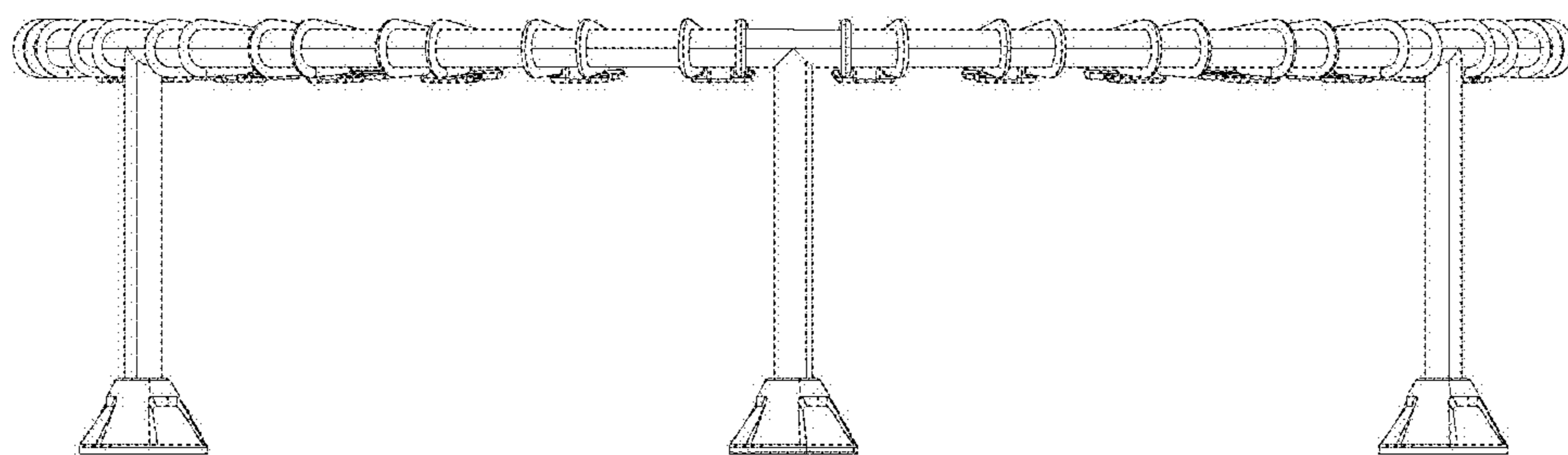


FIG. 3

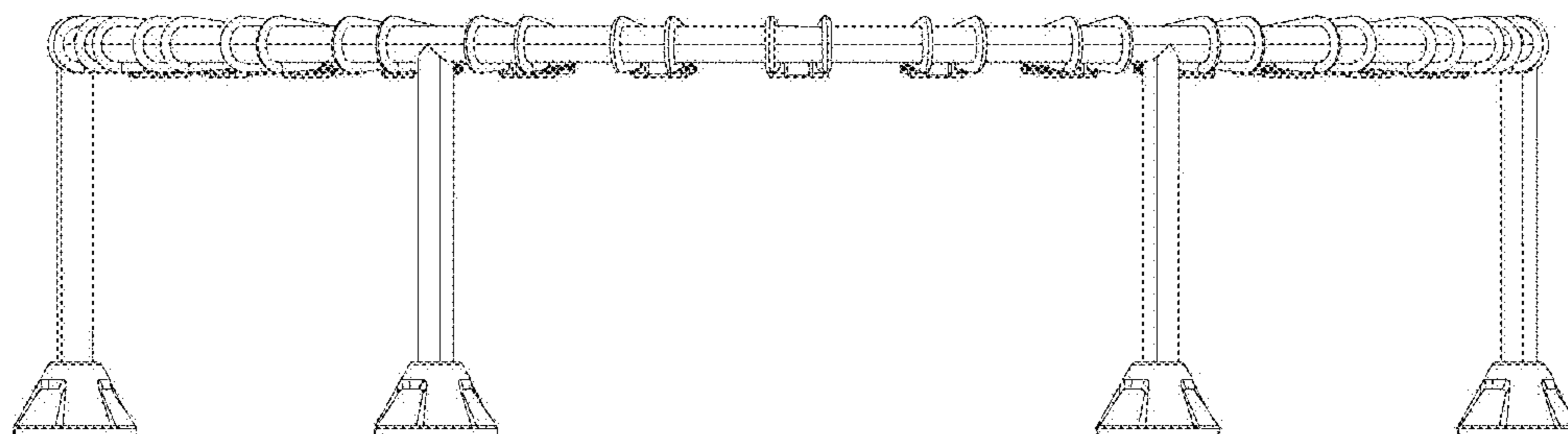


FIG. 4

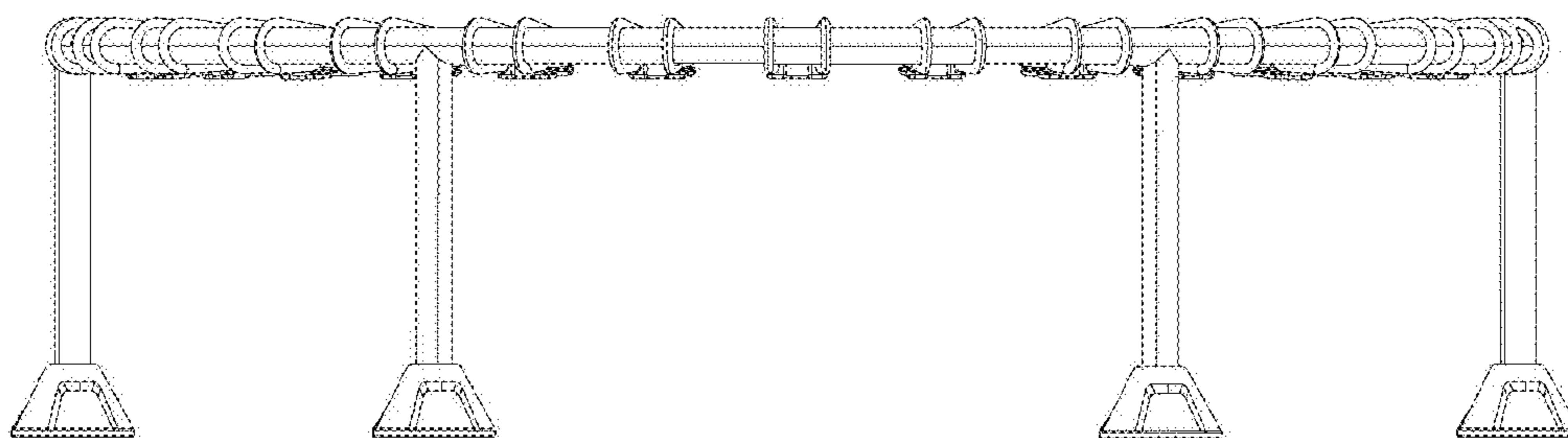


FIG. 5

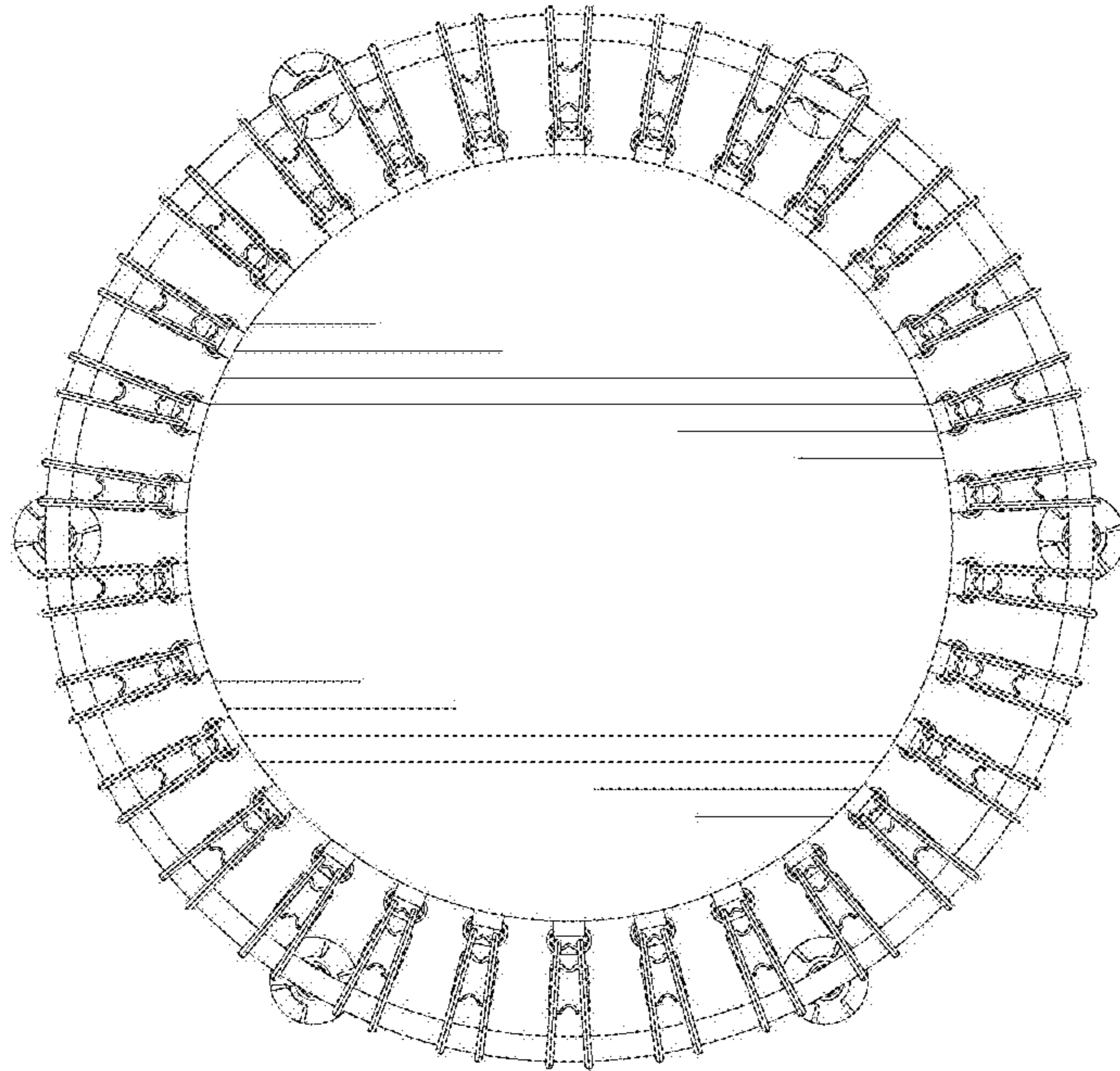


FIG. 6

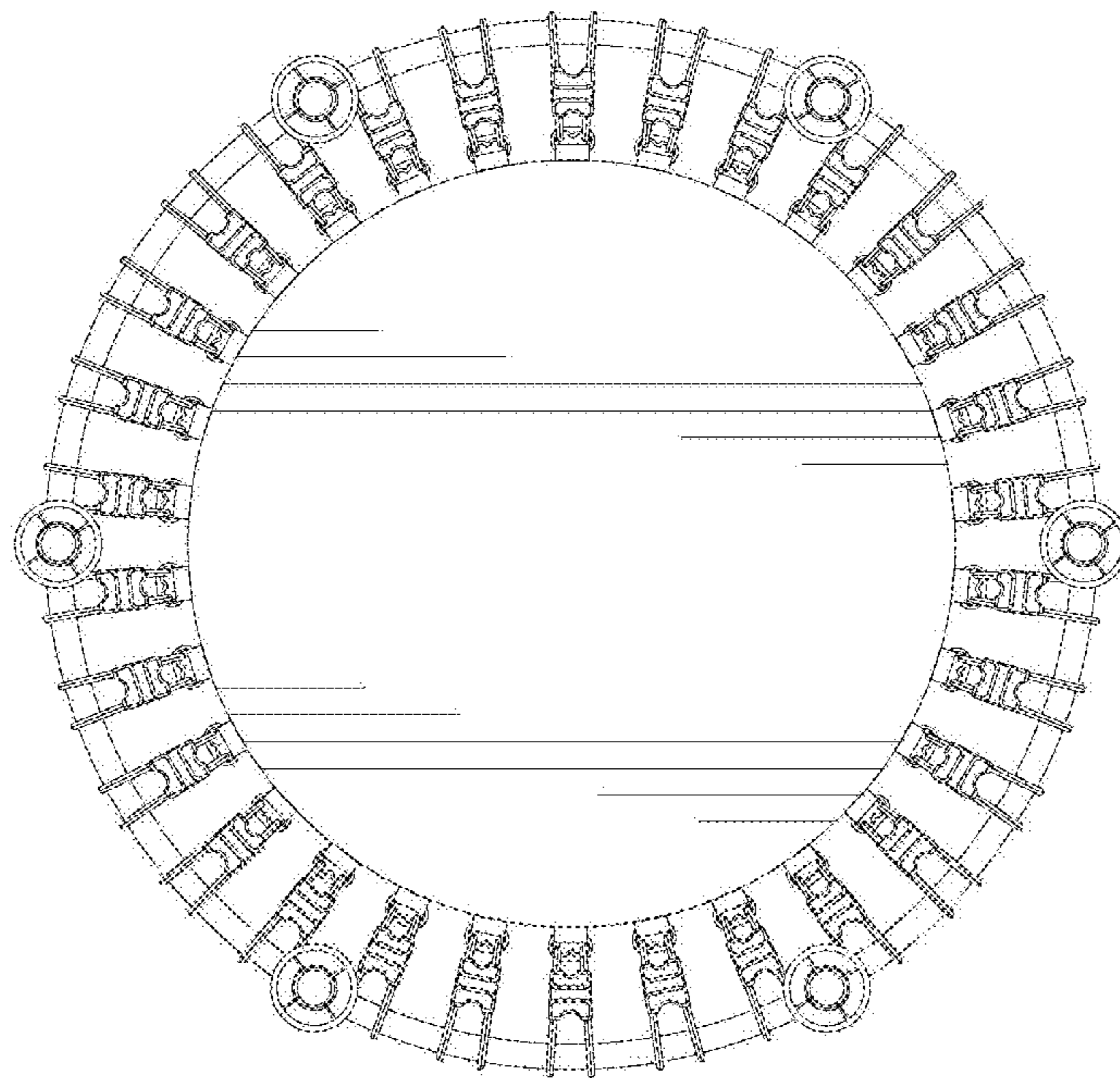


FIG. 7

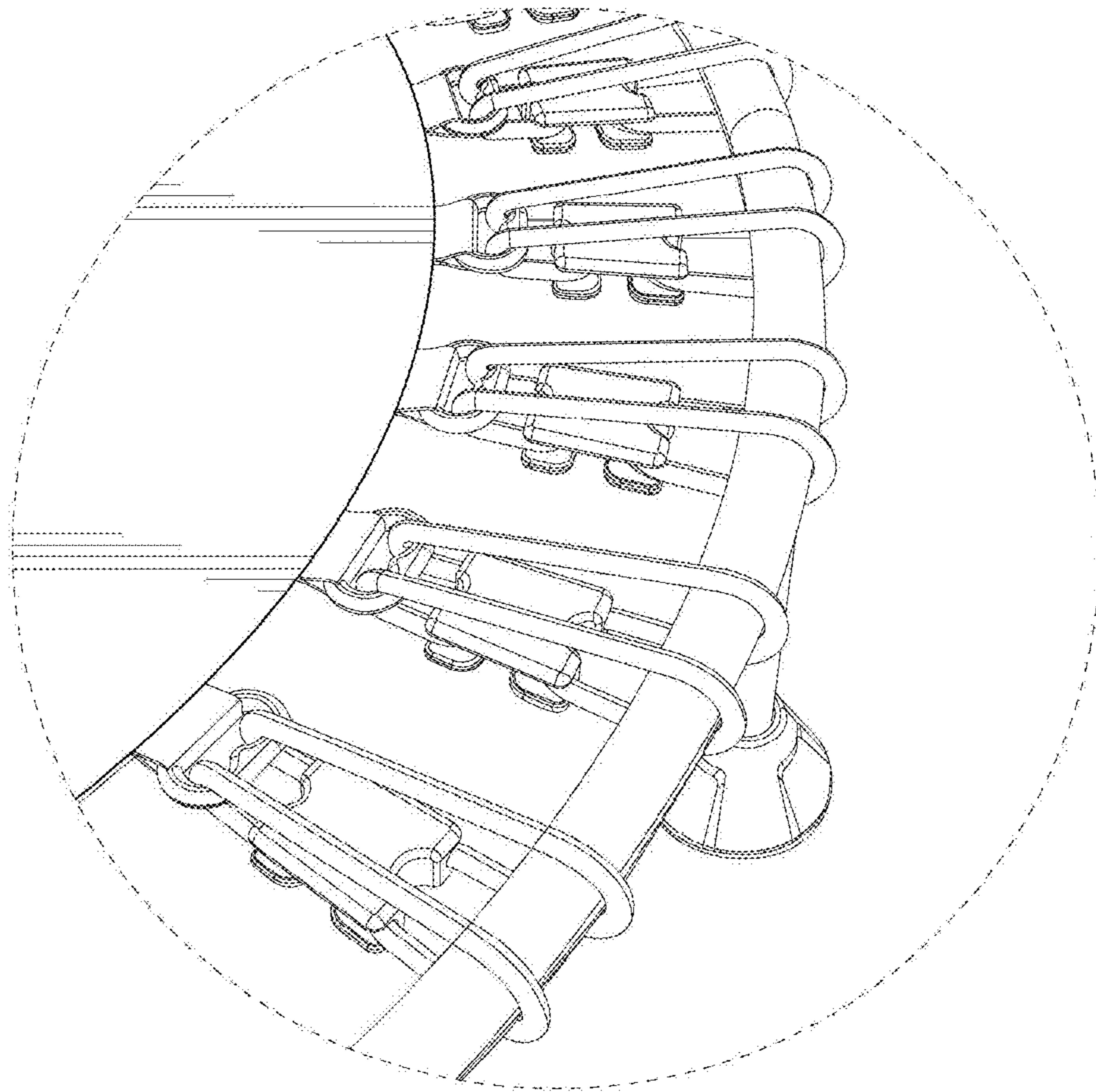


FIG. 8