



US00D941407S

(12) **United States Design Patent**  
**Kuka**

(10) **Patent No.:** **US D941,407 S**  
(45) **Date of Patent:** **\*\* Jan. 18, 2022**

(54) **LATCH SYSTEM FOR FITNESS APPARATUS**

(71) Applicant: **MoveStrong Functional Fitness Equipment, LLC**, Charleston, SC (US)

(72) Inventor: **Jared Kuka**, Charleston, SC (US)

(73) Assignee: **MoveStrong Functional Fitness Equipment LLC**, Charleston, SC (US)

(\*\*) Term: **15 Years**

(21) Appl. No.: **29/702,593**

(22) Filed: **Aug. 20, 2019**

(51) **LOC (13) Cl.** ..... **21-01**

(52) **U.S. Cl.**  
USPC ..... **D21/686; D8/381**

(58) **Field of Classification Search**  
USPC ..... D21/662, 665, 673, 676, 679, 686, 687,  
D21/694; D8/354, 366, 374, 380-385,  
D8/394, 398

(Continued)

(56) **References Cited**

U.S. PATENT DOCUMENTS

RE43,397 E \* 5/2012 Rogers ..... D21/694  
D735,820 S \* 8/2015 Alenaddaf ..... D21/686

(Continued)

OTHER PUBLICATIONS

“Adjustable Ab bench MoveStrong T rex HD” Jun. 5, 2015, site visited Apr. 20, 2021: <https://youtu.be/ijLE21EiLDA> (Year: 2015).\*

*Primary Examiner* — Michael C Stout

*Assistant Examiner* — Melvin L Davis

(74) *Attorney, Agent, or Firm* — Patterson Intellectual Property Law, P.C.; Ryan D. Levy

(57) **CLAIM**

What is claimed is the ornamental design for an latch system for fitness apparatus, as shown and described.

**DESCRIPTION**

FIG. 1 is a front perspective view of an embodiment of the new latch system for fitness apparatus of Applicant’s invention.

FIG. 2 is a side perspective view thereof.

FIG. 3 is a side view thereof.

FIG. 4 is a rear view thereof.

FIG. 5 is a front view thereof.

FIG. 6 is a top view thereof.

FIG. 7 is a bottom view thereof.

FIG. 8 is a front perspective view thereof illustrating the latch system for fitness apparatus with bench.

FIG. 9 is a side view of the latch system for fitness apparatus with bench.

FIG. 10 is a front perspective view of an additional embodiment of the latch system for fitness apparatus.

FIG. 11 is a rear perspective view of the additional embodiment of the latch system for fitness apparatus.

FIG. 12 is a side view of the additional embodiment of the latch system for fitness apparatus.

FIG. 13 is a rear view of the additional embodiment of the latch system for fitness apparatus.

FIG. 14 is a front view of the additional embodiment of the latch system for fitness apparatus.

FIG. 15 is a top view of the additional embodiment of the latch system for fitness apparatus.

FIG. 16 is a bottom view of the additional embodiment of the latch system for fitness apparatus.

FIG. 17 is a front perspective view of the additional embodiment of the latch system for fitness apparatus shown with a dip bar.

FIG. 18 is a side view of the additional embodiment of the latch system for fitness apparatus shown with a dip bar.

FIG. 19 is a front perspective view of another additional embodiment of the latch system for fitness apparatus.

FIG. 20 is a rear view perspective view another additional embodiment of the latch system for fitness apparatus.

FIG. 21 is a side view of another additional embodiment of the latch system for fitness apparatus.

FIG. 22 is a rear view of another additional embodiment of the latch system for fitness apparatus.

FIG. 23 is a front view of another additional embodiment of the latch system for fitness apparatus.

FIG. 24 is a top view of another additional embodiment of the latch system for fitness apparatus.

FIG. 25 is a bottom view of another additional embodiment of the latch system for fitness apparatus.

(Continued)

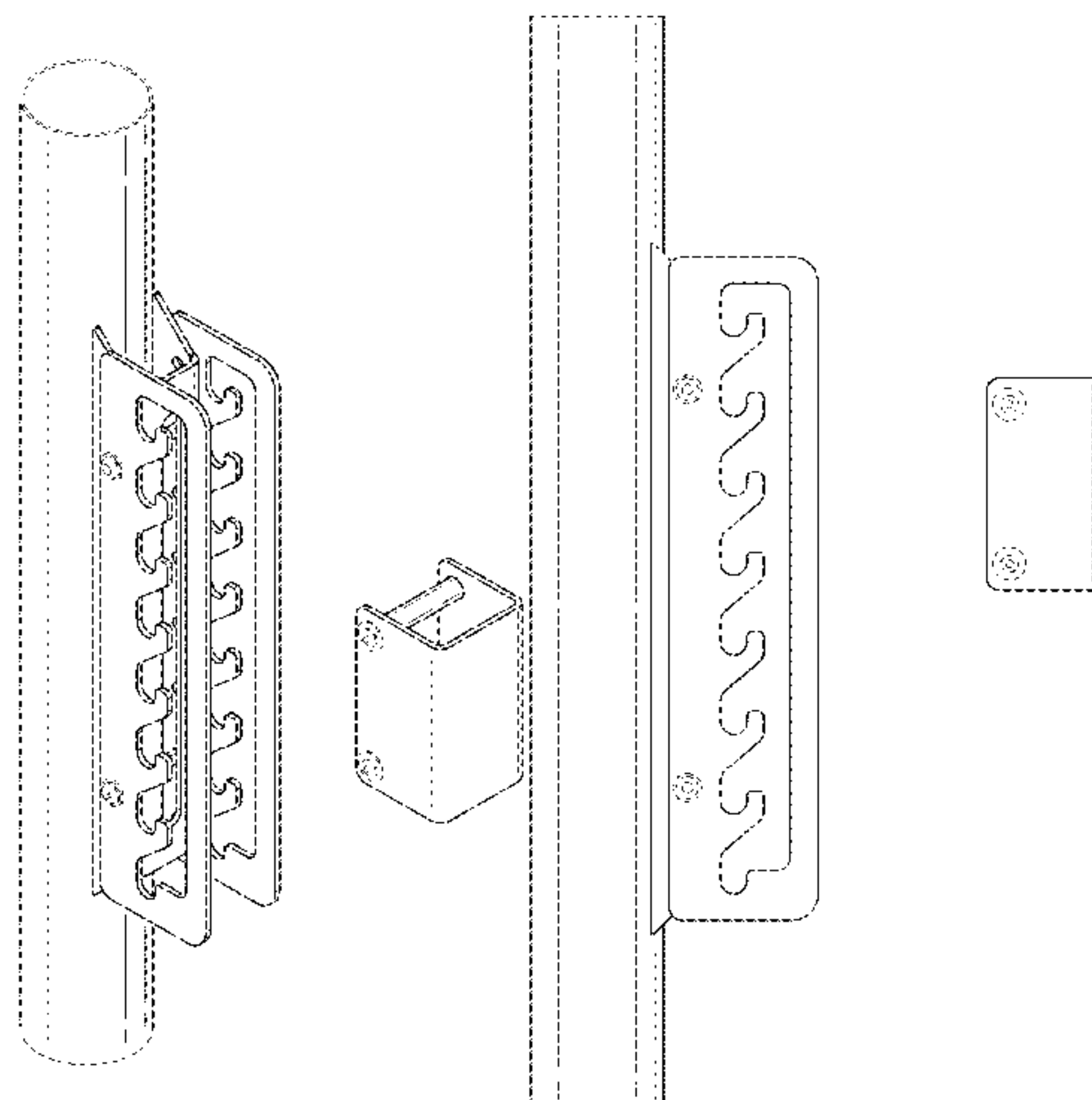


FIG. 26 is a front perspective view of another additional embodiment of the latch system for fitness apparatus with an exercise platform; and,

FIG. 27 is a side view of another additional embodiment of the latch system for fitness apparatus with an exercise platform.

The broken lines shown in the figures are for the purpose of illustrating portions of the latch system for fitness apparatus and form no part of the claimed design.

**1 Claim, 19 Drawing Sheets**

(58) **Field of Classification Search**

CPC ..... A63B 21/4035; A63B 21/4047; A63B 21/0628; A63B 21/0211

See application file for complete search history.

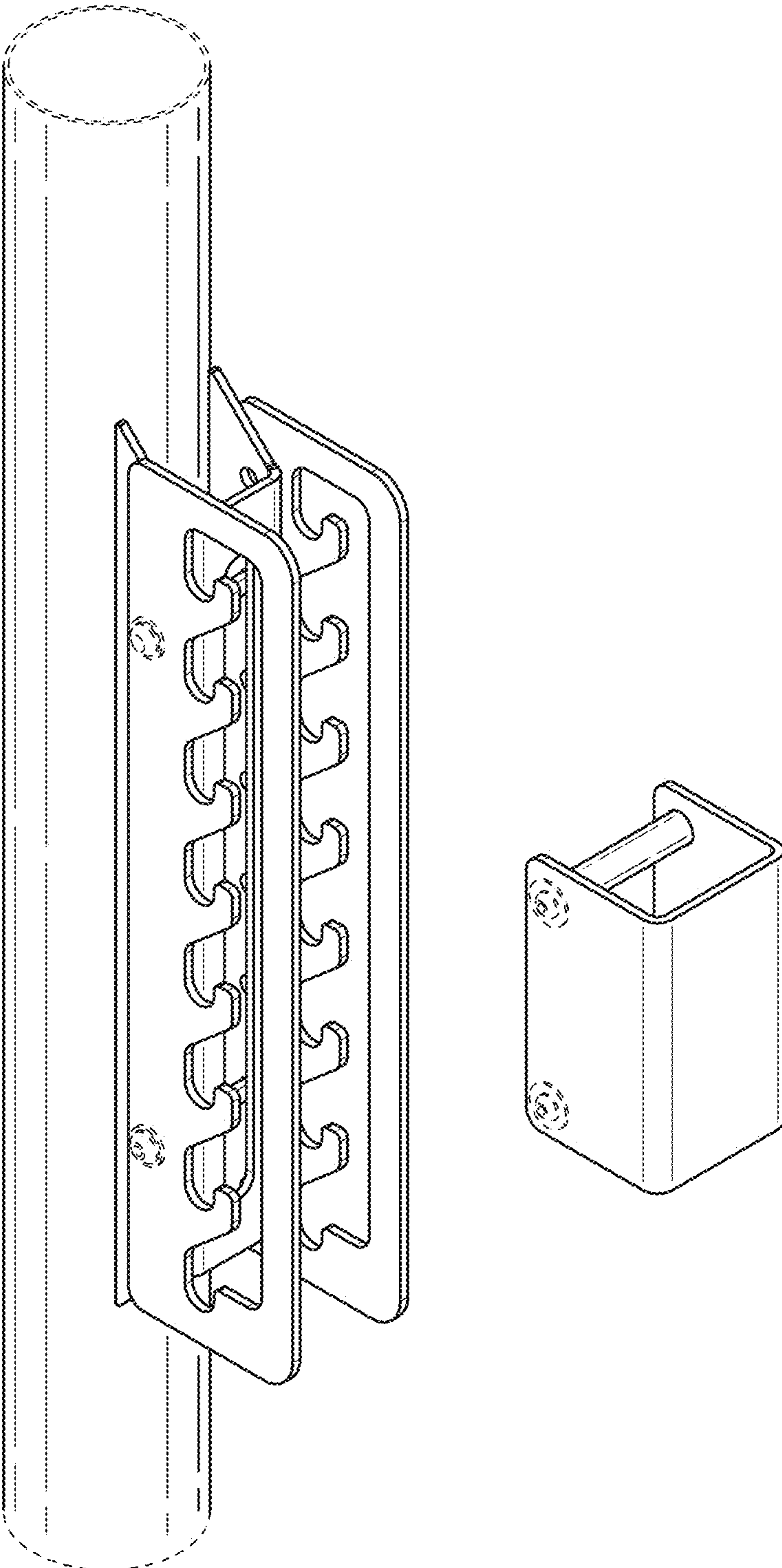
(56)

**References Cited**

U.S. PATENT DOCUMENTS

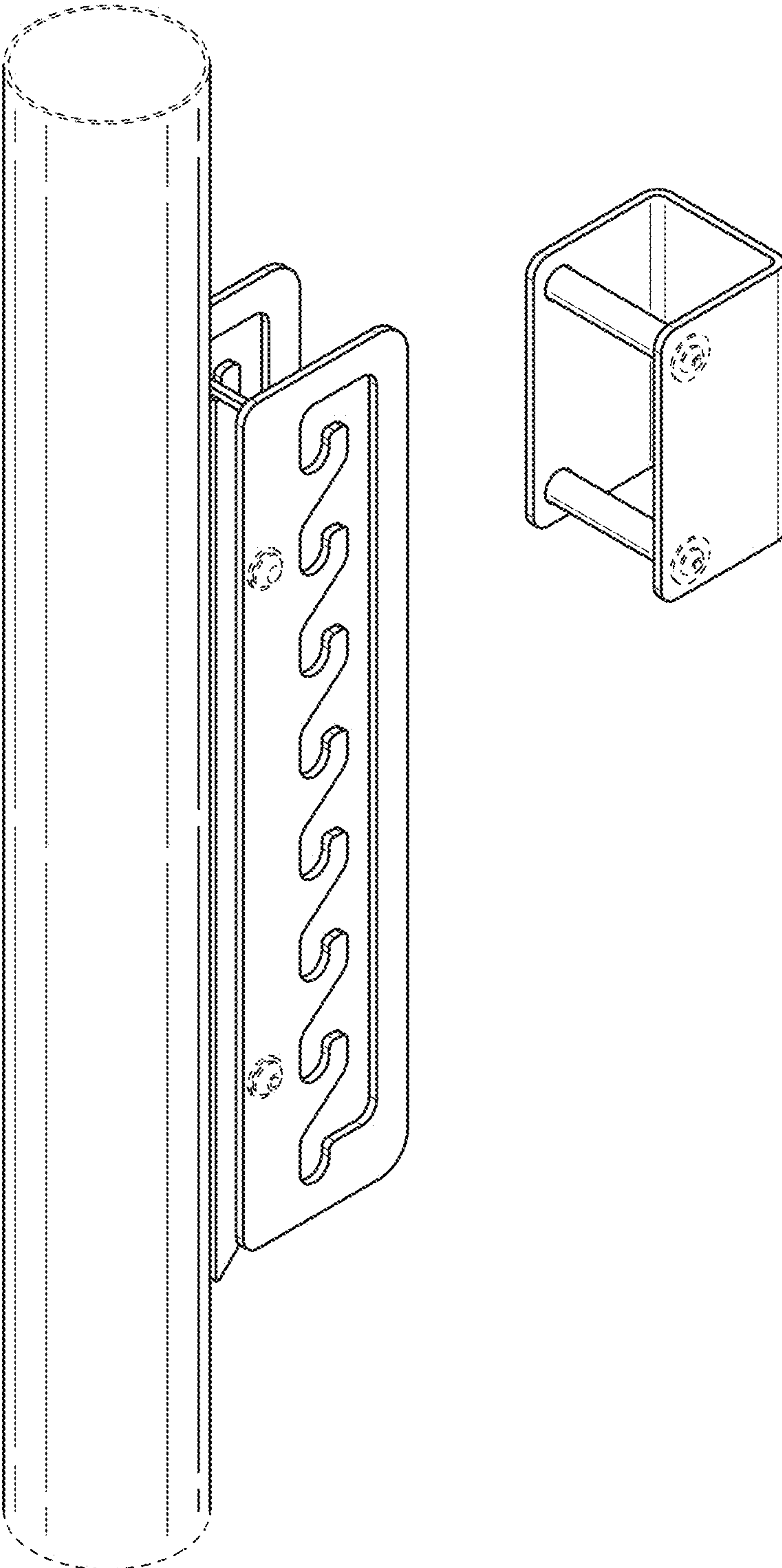
D735,821	S	*	8/2015	Alenaddaf .....	D21/686
D737,387	S	*	8/2015	De Siqueira Indio da Costa .....	D21/694
D767,692	S		9/2016	Kuka	
D767,693	S		9/2016	Kuka	
D772,356	S	*	11/2016	Gregory .....	D21/686
D788,234	S	*	5/2017	Gregory .....	D21/686
D806,808	S	*	1/2018	Gregory .....	D21/686
D836,172	S		12/2018	Kuka	
D890,271	S	*	7/2020	Carmichael .....	D21/686
D892,240	S	*	8/2020	Sergakis .....	D21/694
D907,725	S	*	1/2021	Adams .....	D21/694
D909,502	S	*	2/2021	Adams .....	D21/694
D912,170	S	*	3/2021	Dunahay .....	D21/694
D915,533	S	*	4/2021	Adams .....	D21/694

\* cited by examiner



*FIG. 1*





*FIG. 2*

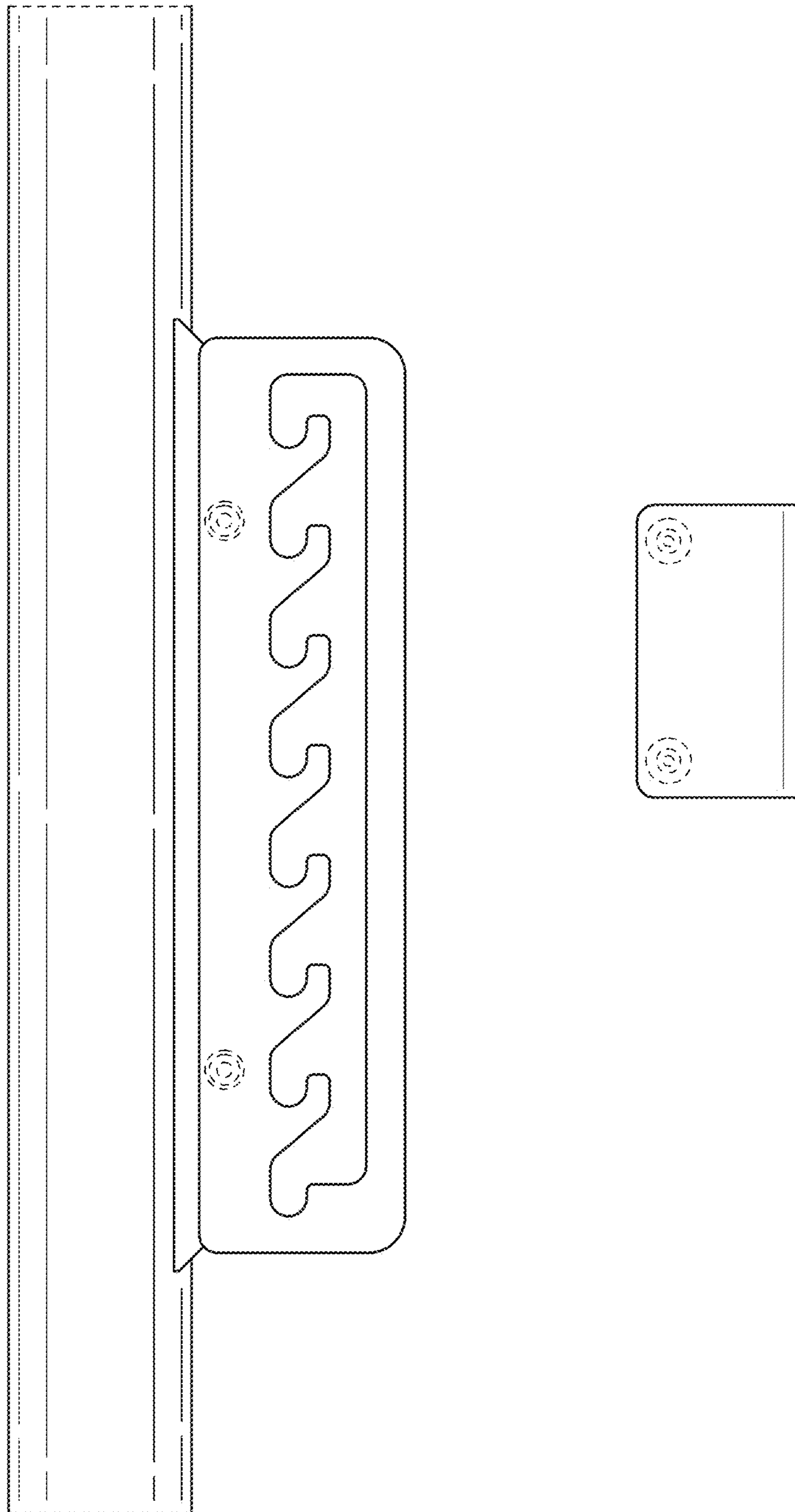
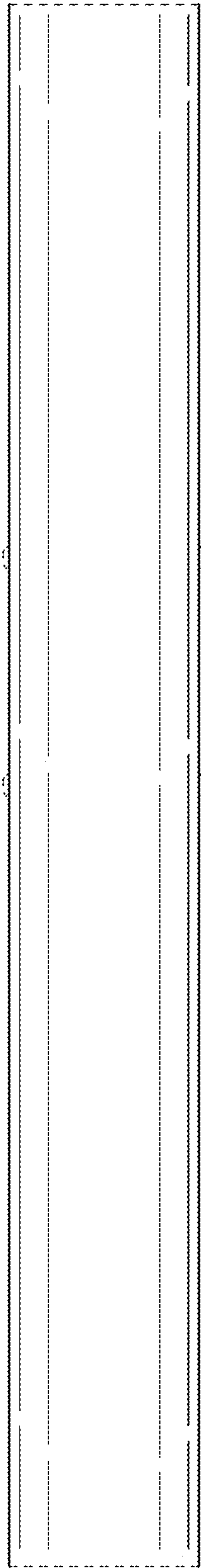
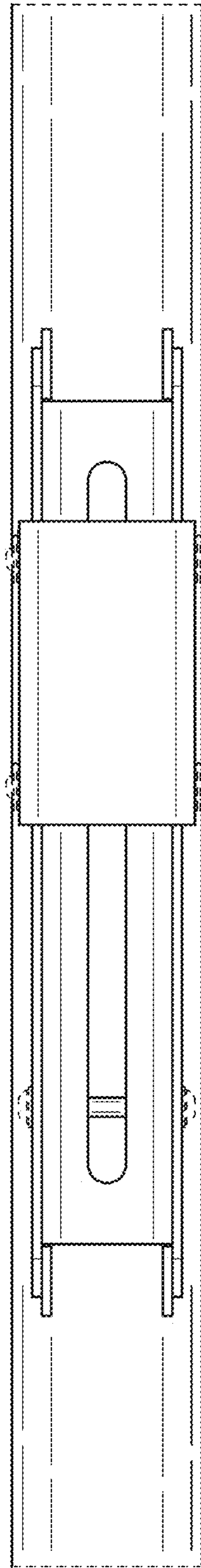


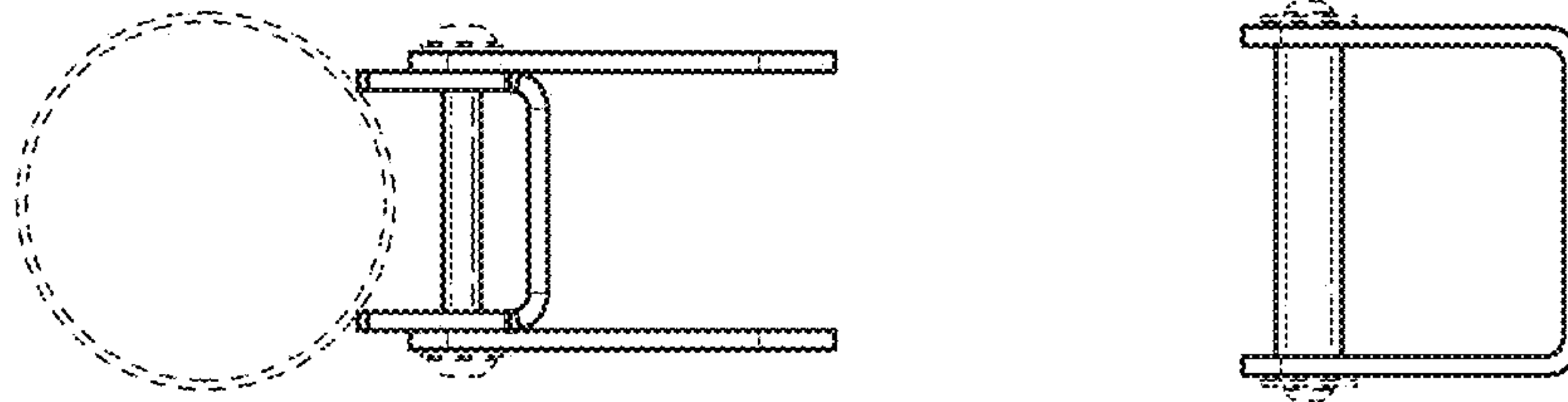
FIG. 3



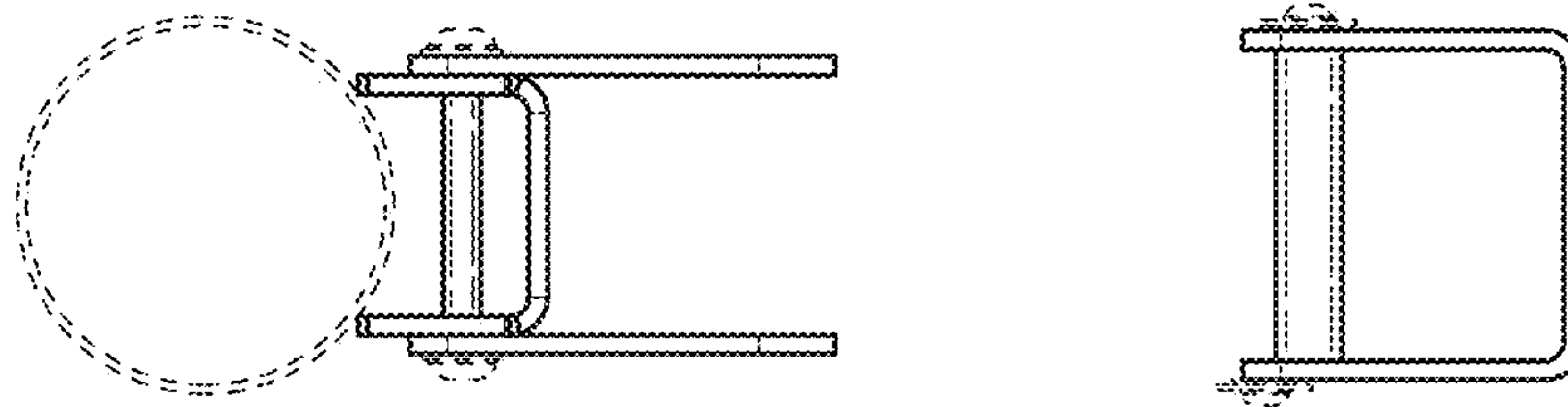
*FIG. 4*



*FIG. 5*



*FIG. 6*



*FIG. 7*

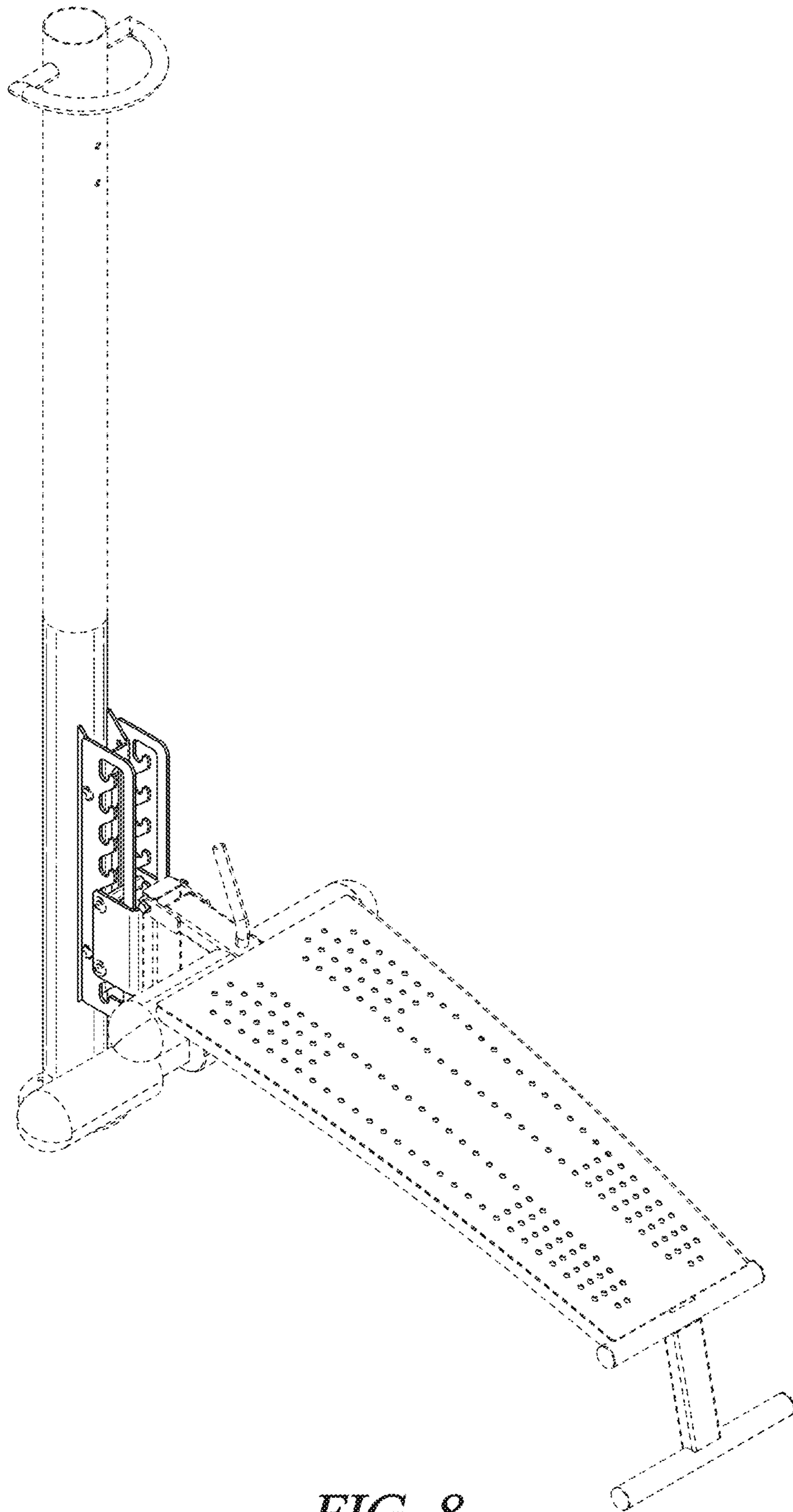
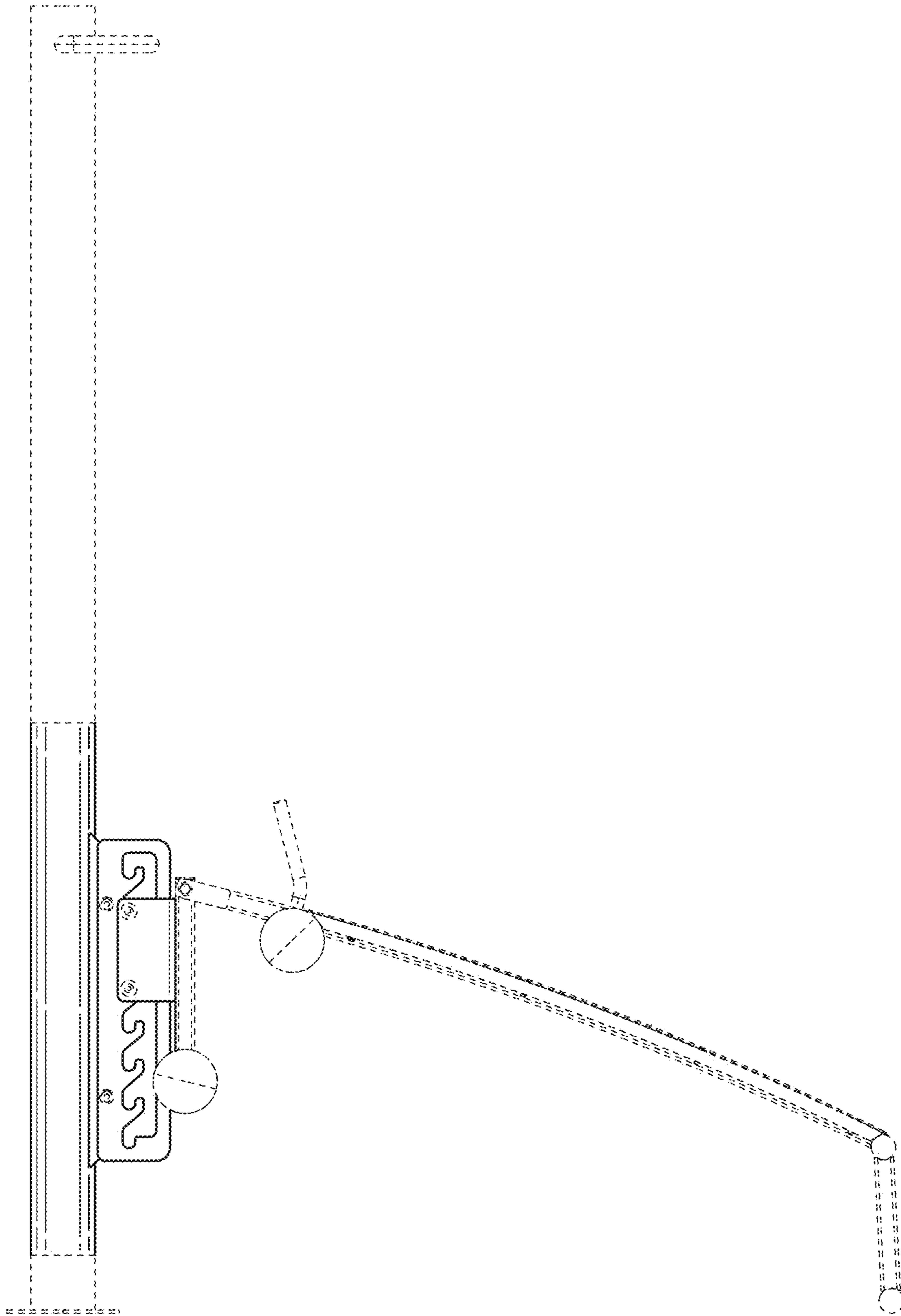
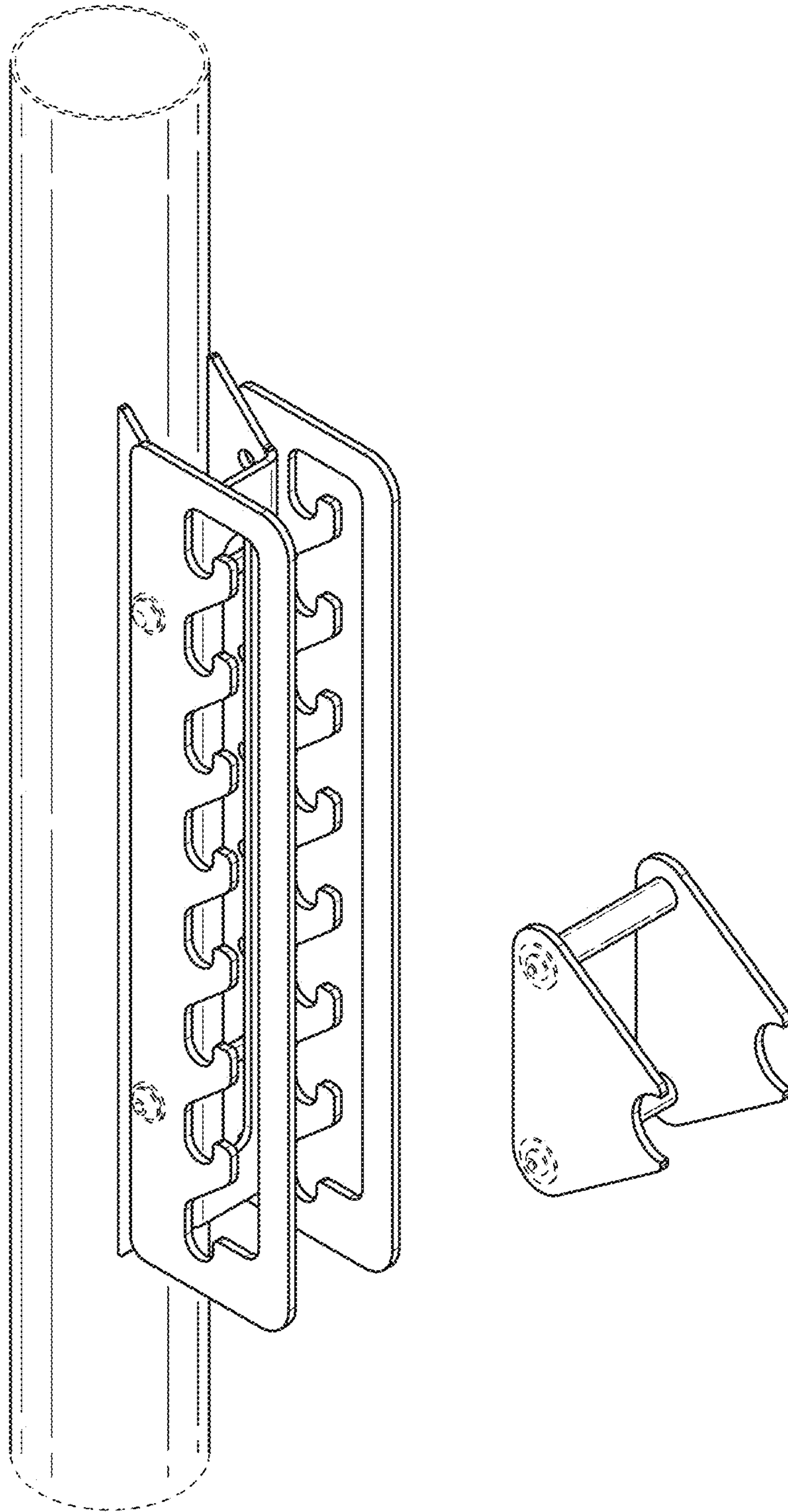


FIG. 8

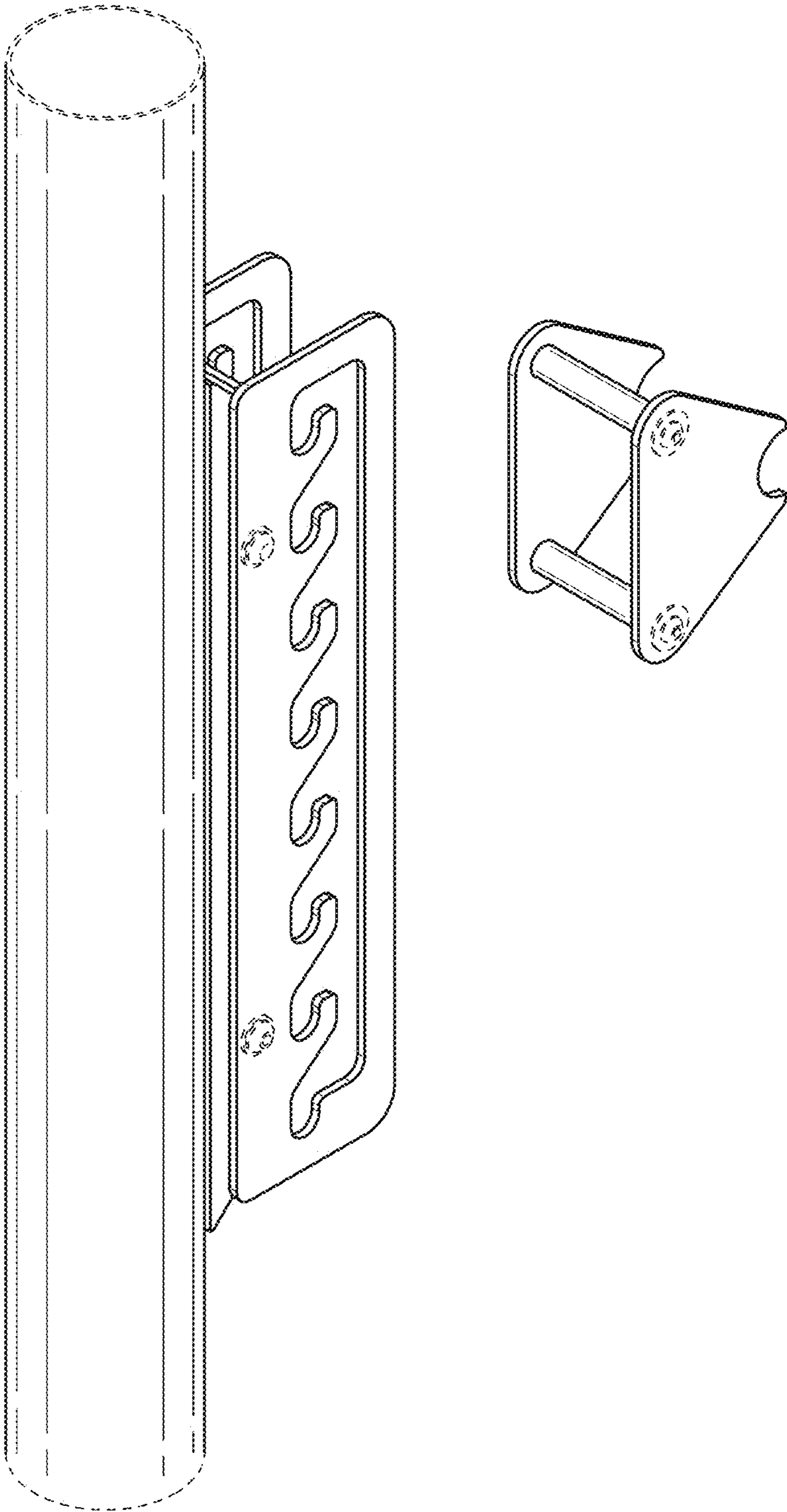




*FIG. 9*



*FIG. 10*



*FIG. 11*

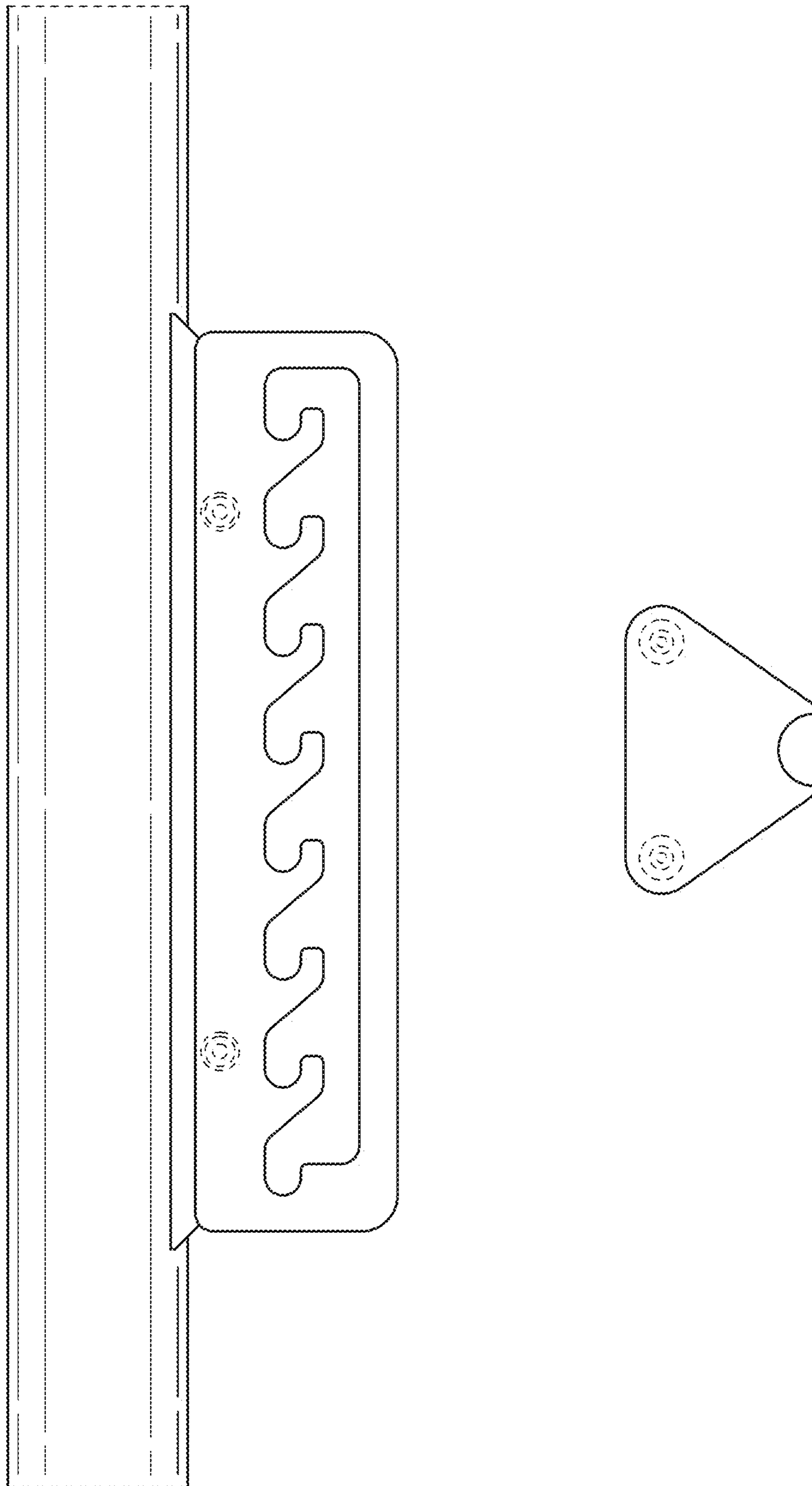
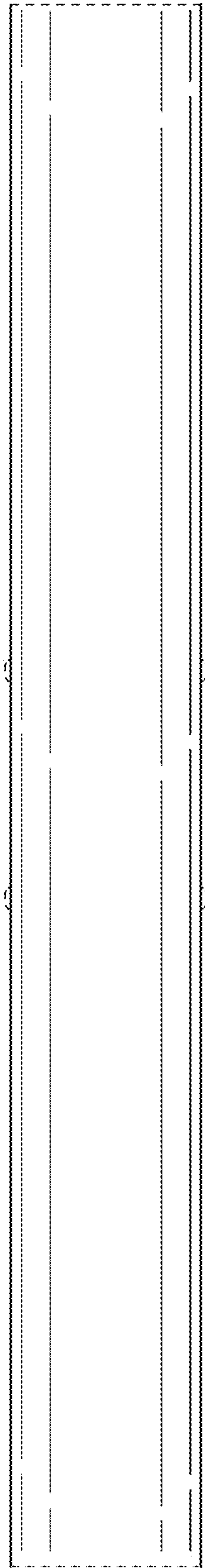
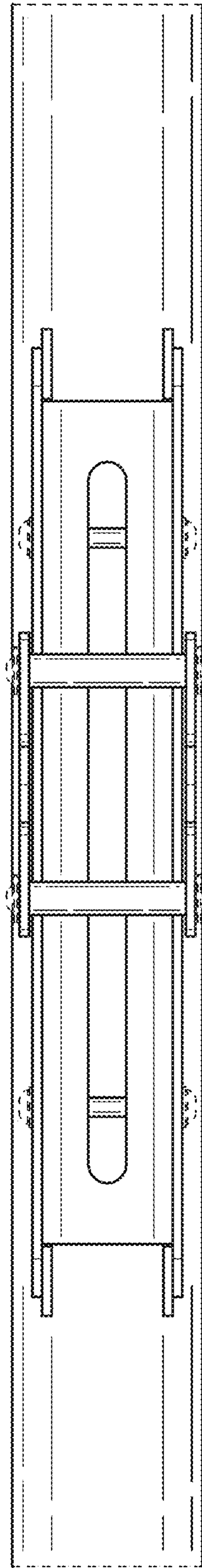


FIG. 12

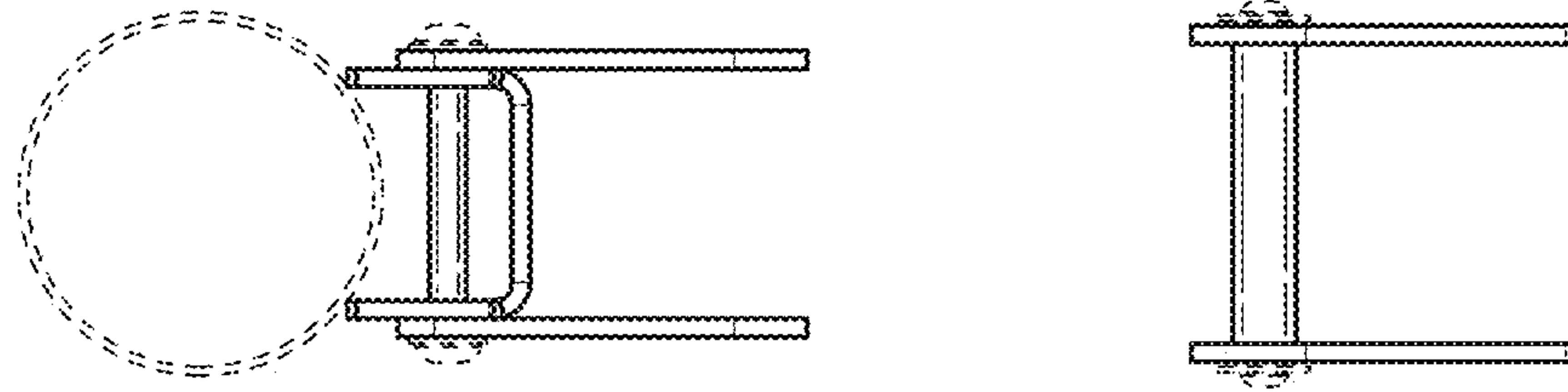




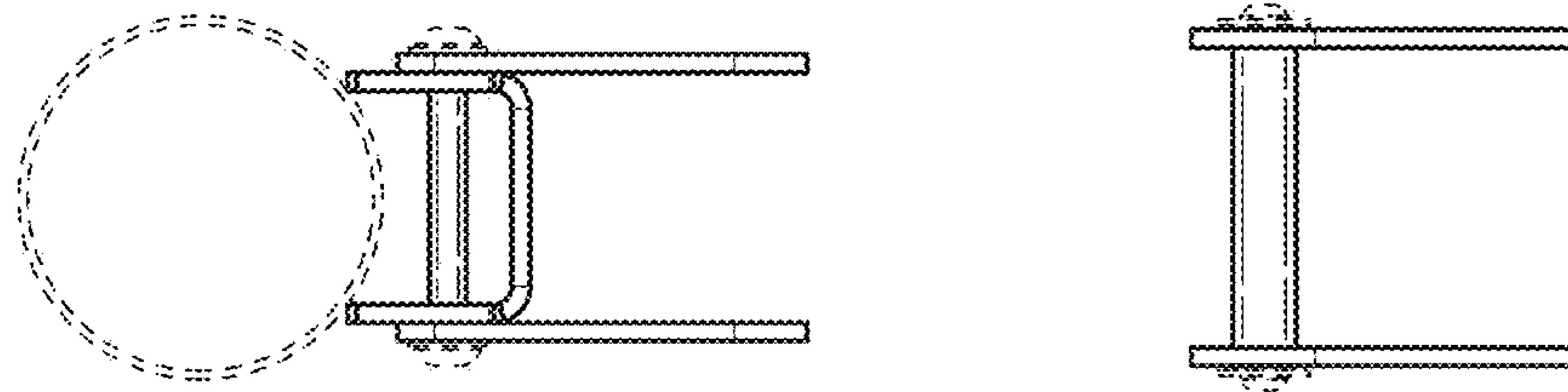
*FIG. 13*



*FIG. 14*



*FIG. 15*



*FIG. 16*

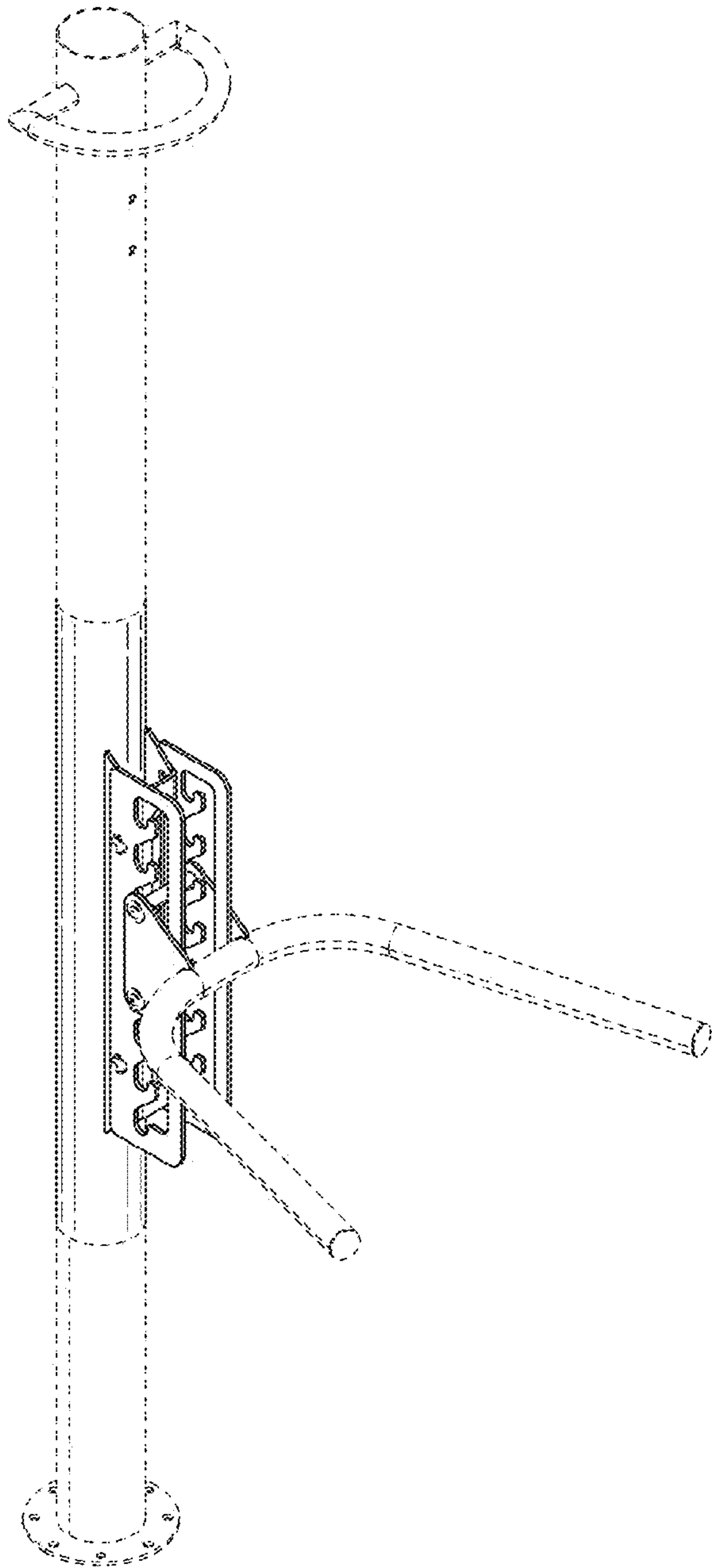


FIG. 17

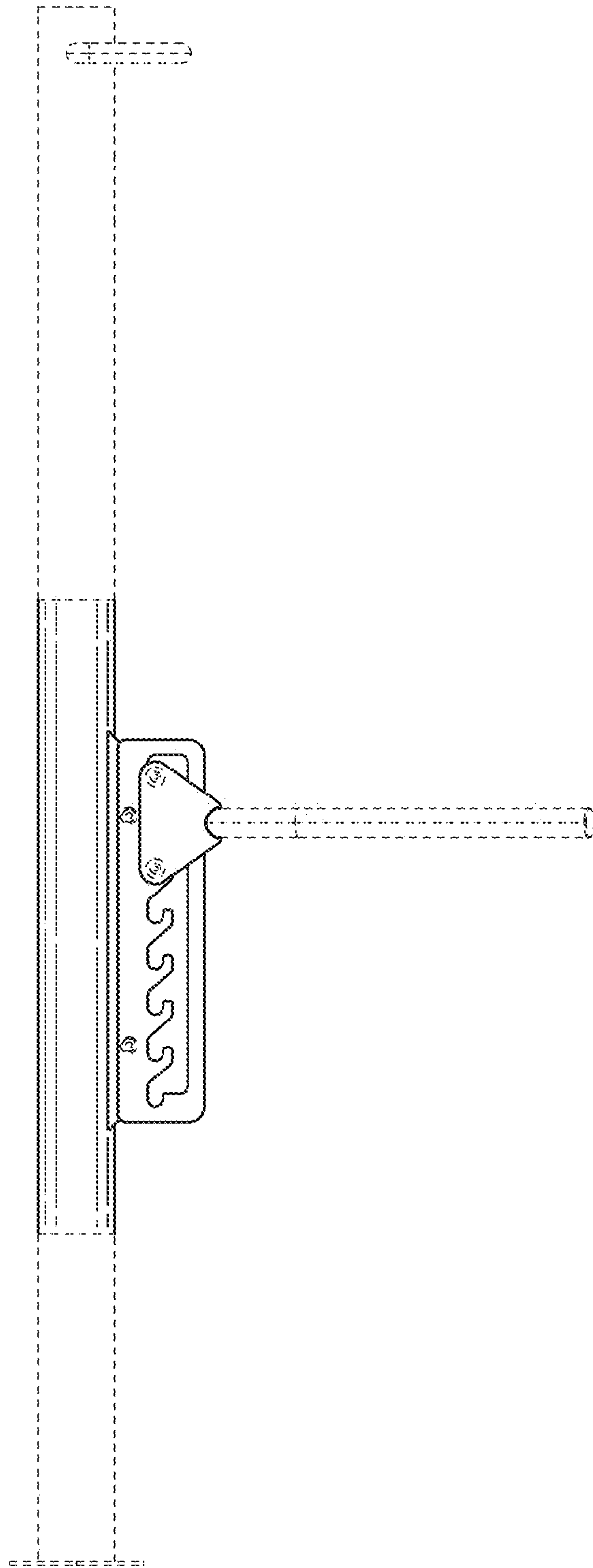
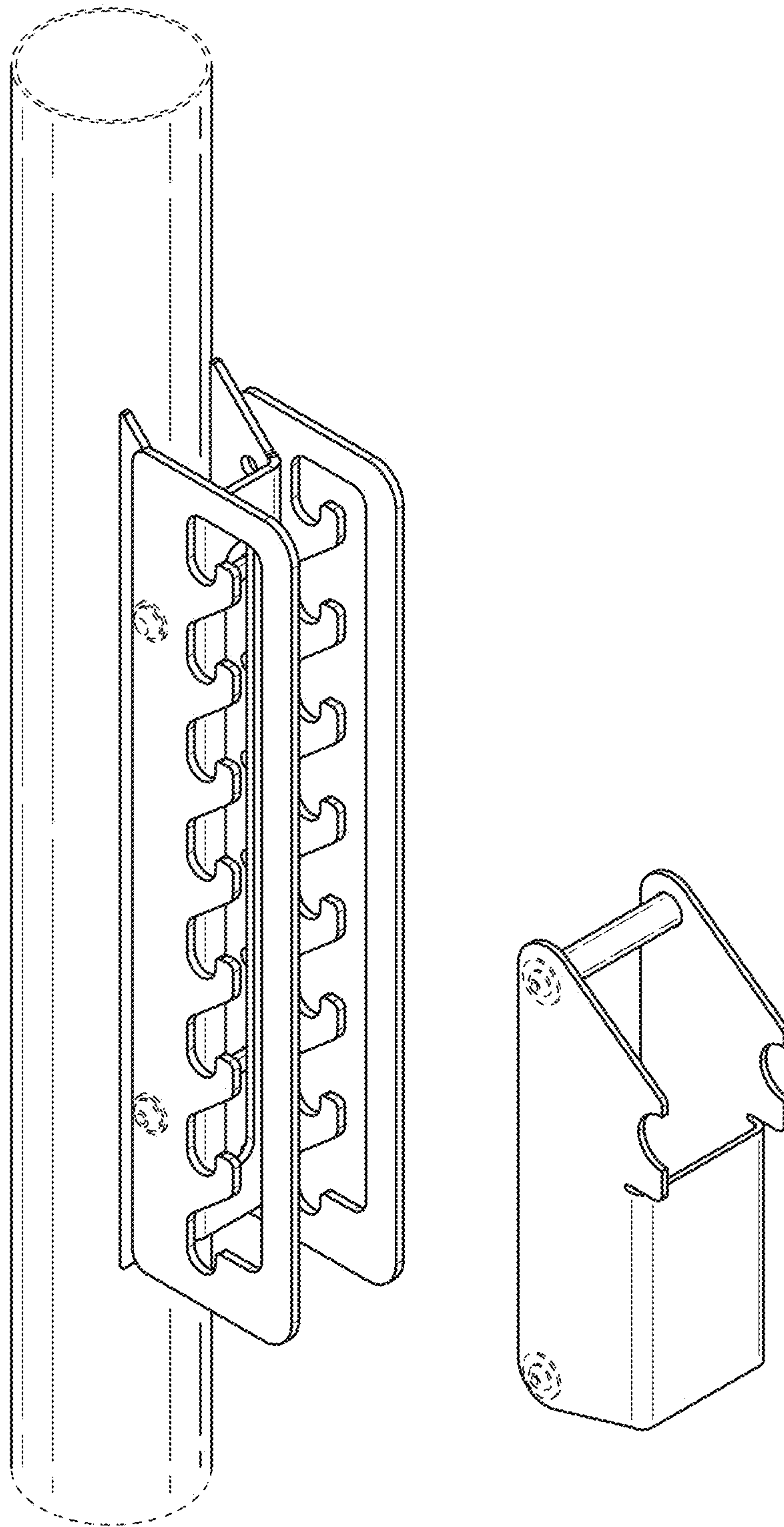
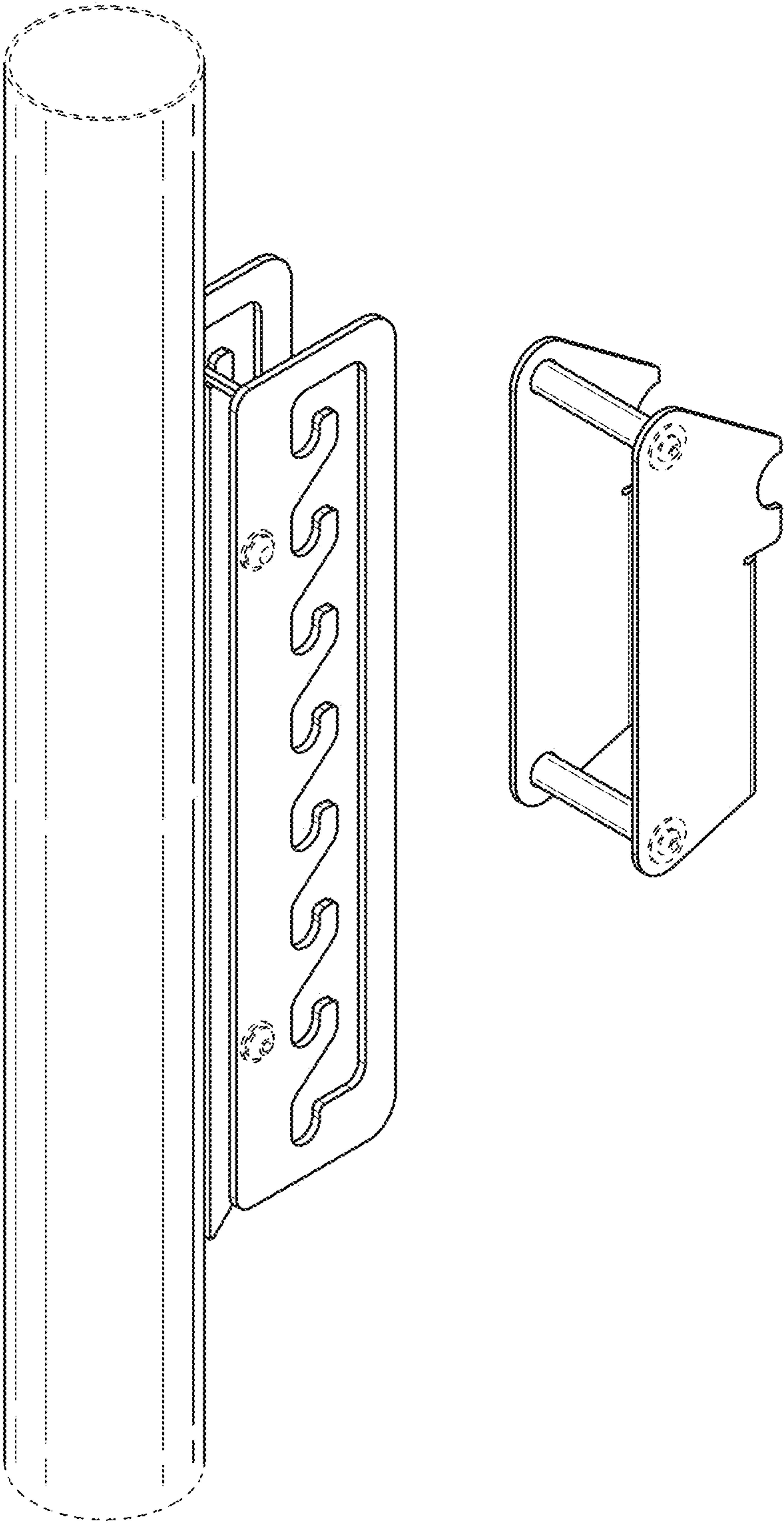


FIG. 18

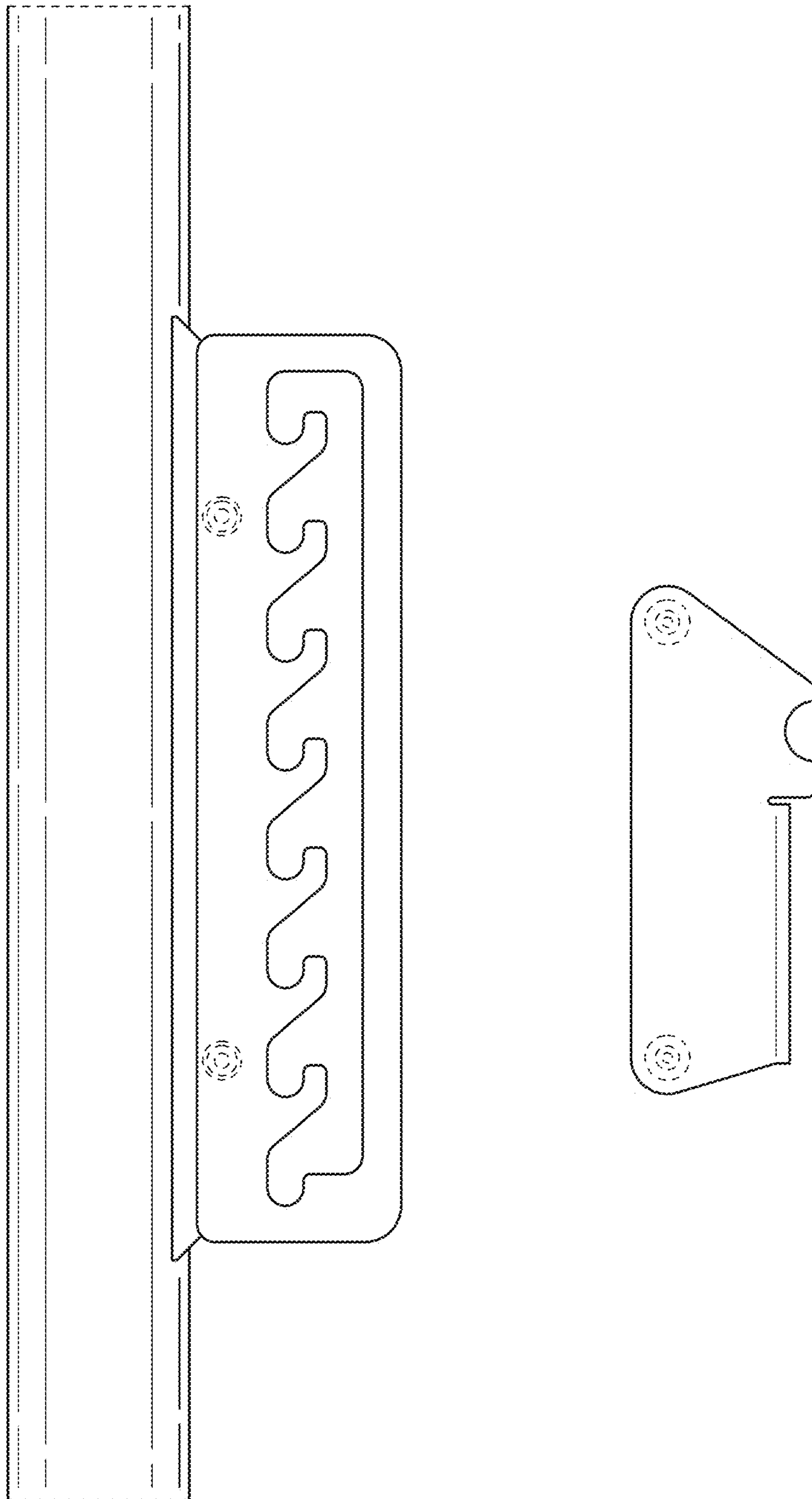


*FIG. 19*

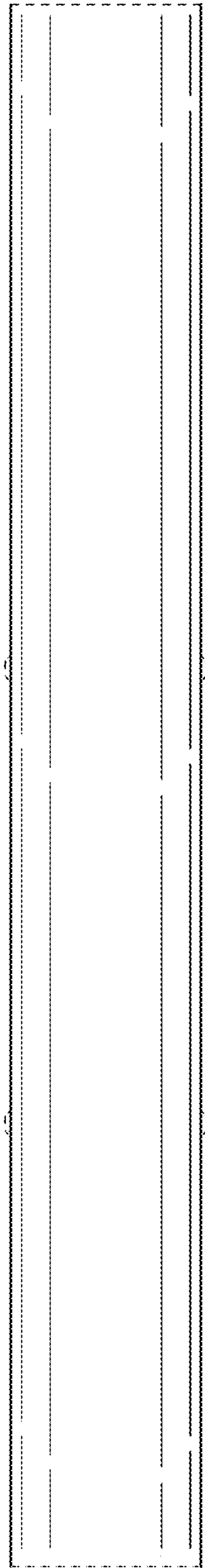




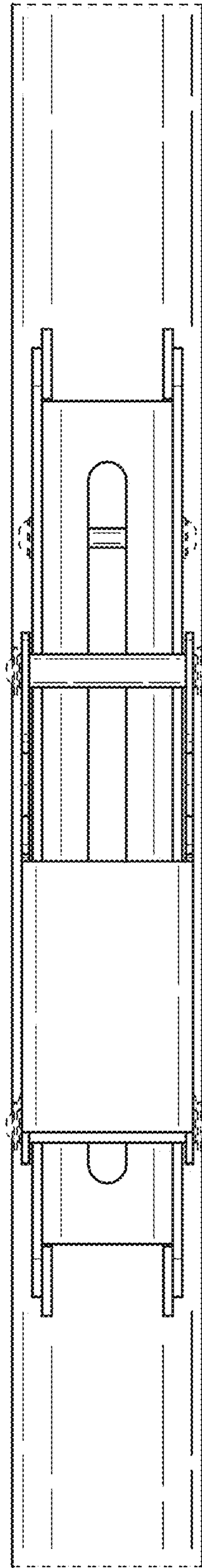
*FIG. 20*



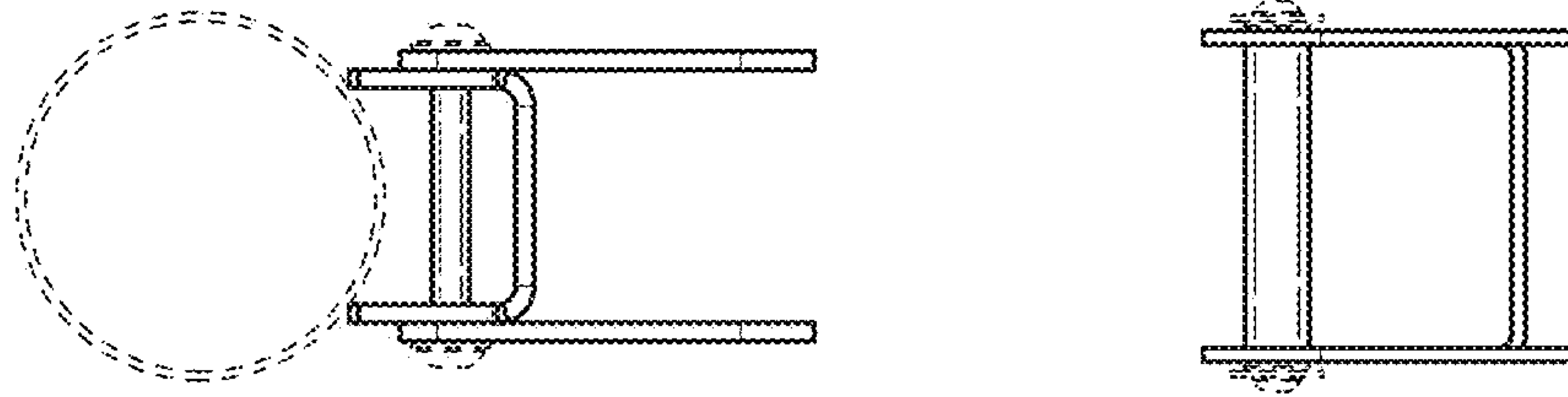
*FIG. 21*



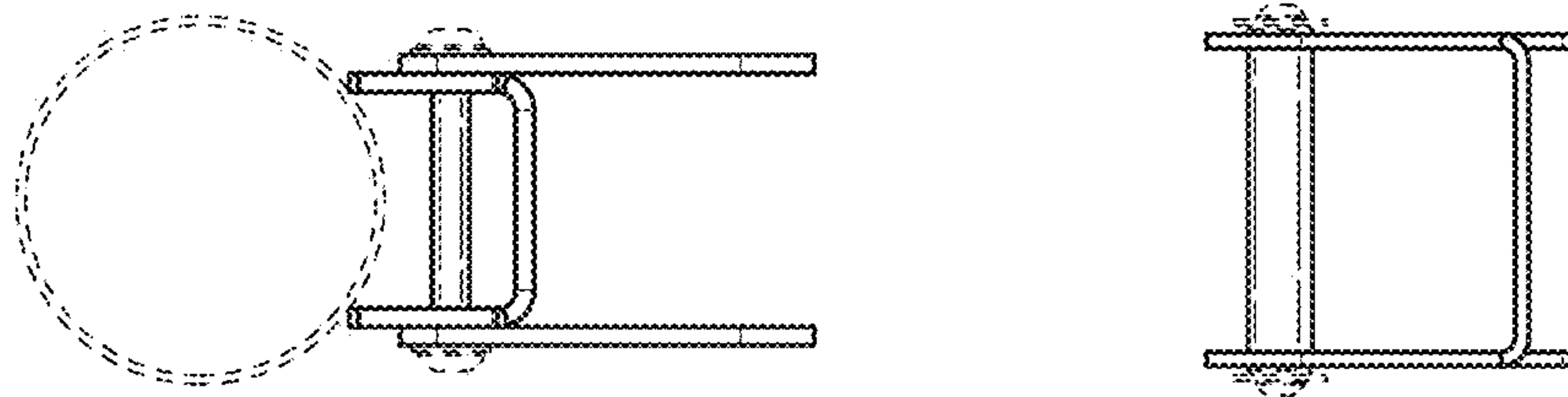
*FIG. 22*



*FIG. 23*

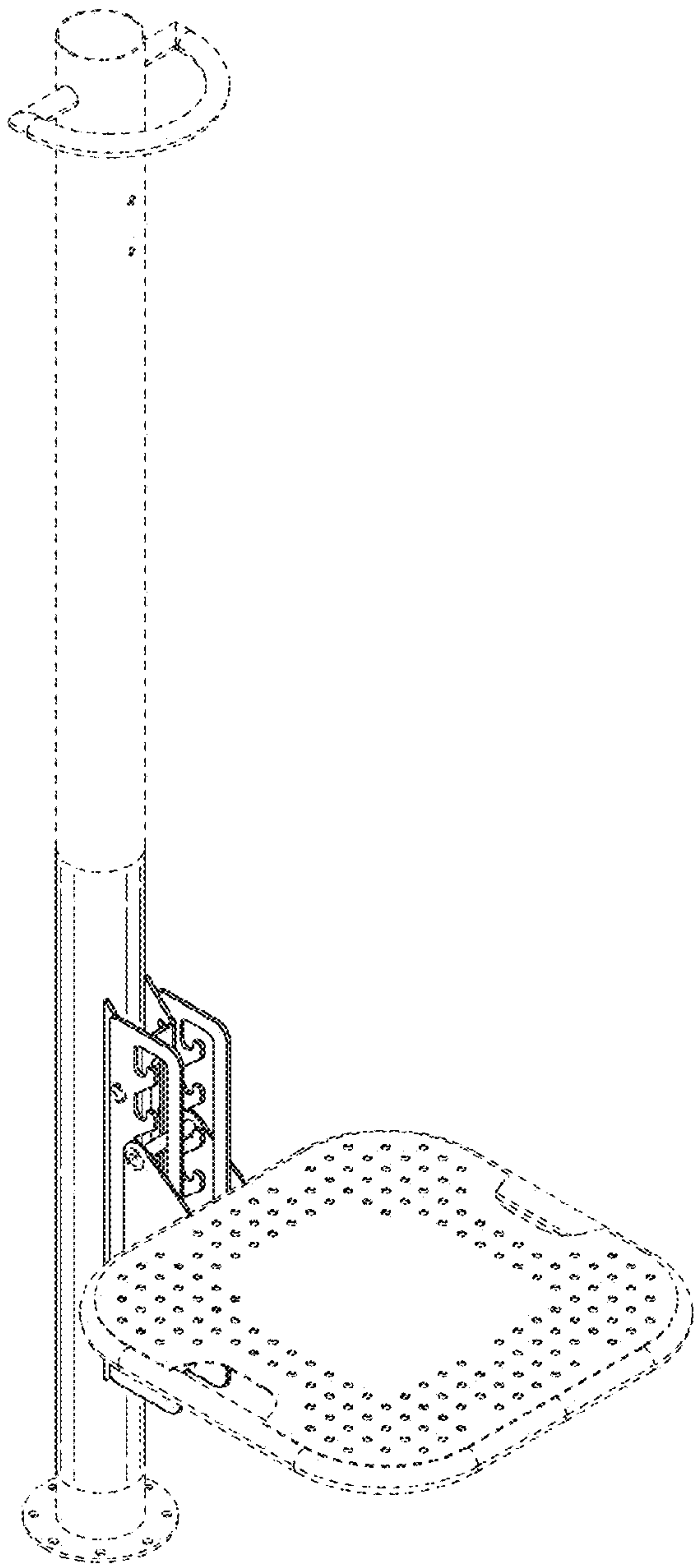


*FIG. 24*

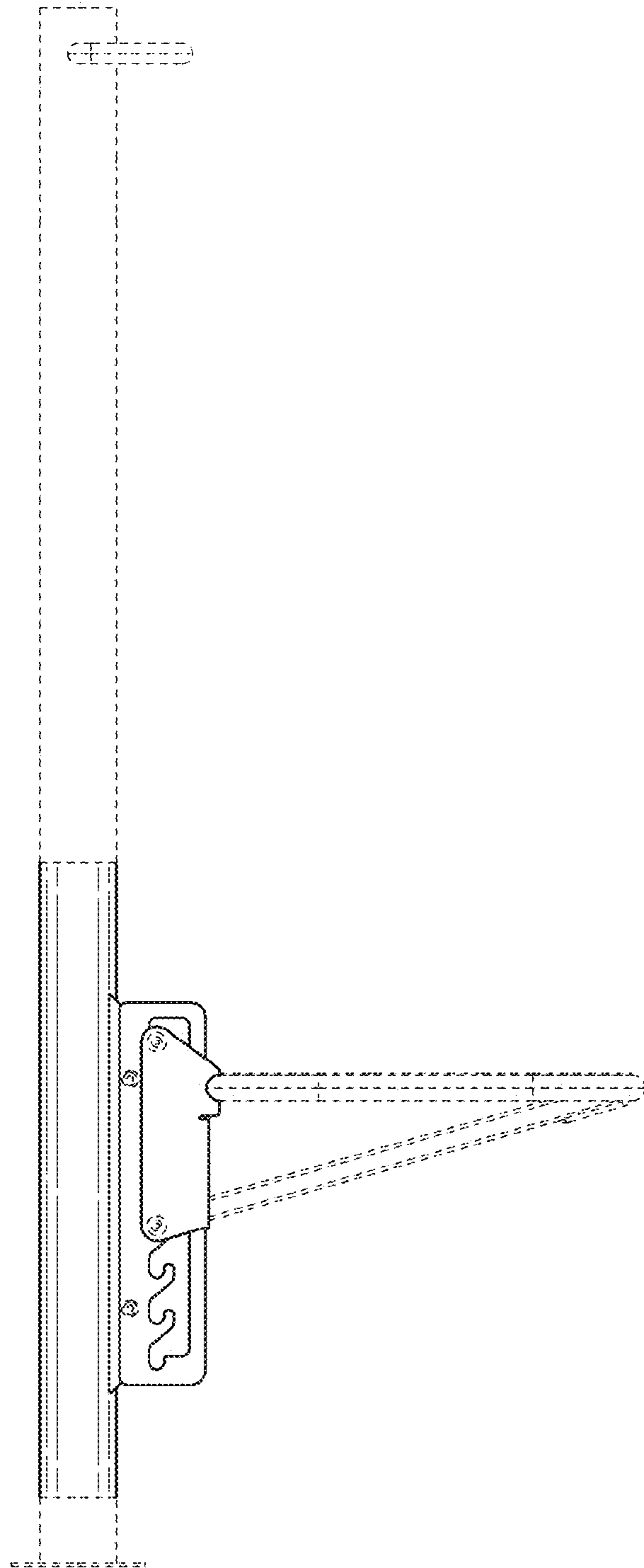


*FIG. 25*





*FIG. 26*



*FIG. 27*