



US00D941405S

(12) **United States Design Patent**
Liao

(10) **Patent No.:** **US D941,405 S**
(45) **Date of Patent:** **** Jan. 18, 2022**

(54) **ACTION FIGURE**

(71) Applicant: **MerchSource, LLC**, Irvine, CA (US)

(72) Inventor: **Denny Liao**, Irvine, CA (US)

(73) Assignee: **MerchSource, LLC**, Irvine, CA (US)

(**) Term: **15 Years**

(21) Appl. No.: **29/729,065**

(22) Filed: **Mar. 24, 2020**

(51) **LOC (13) Cl.** **21-01**

(52) **U.S. Cl.**

USPC **D21/634**

(58) **Field of Classification Search**

USPC D21/621, 622, 630, 631, 634, 635, 636,
D21/637

CPC A63H 3/00; A63H 3/001; A63H 3/003;
A63H 3/02; A63H 3/04; A63H 3/10

See application file for complete search history.

(56) **References Cited**

U.S. PATENT DOCUMENTS

D494,642 S * 8/2004 Bresciani D21/623
D495,764 S * 9/2004 Bresciani D21/623

D497,400 S * 10/2004 Dykstra D11/160
D616,508 S * 5/2010 Fisher D21/634
D780,855 S * 3/2017 Lambert D21/621
D783,098 S * 4/2017 Spencer D21/634
D842,396 S * 3/2019 Vezina D21/621

* cited by examiner

Primary Examiner — Zenia I Bennett

(74) *Attorney, Agent, or Firm* — Avyno Law P.C.

(57) **CLAIM**

I claim the ornamental design for an action figure, as shown and described.

DESCRIPTION

FIG. 1 is a front perspective view of an action figure.
FIG. 2 is a front elevation view of the action figure of FIG. 1.
FIG. 3 is a rear elevation view of the action figure of FIG. 1.
FIG. 4 is a side elevation view of the left side of the action figure of FIG. 1.
FIG. 5 is a side elevation view of the right side of the action figure of FIG. 1.
FIG. 6 is a top plan view of the action figure of FIG. 1; and, FIG. 7 is a bottom plan view of the action figure of FIG. 1.

1 Claim, 6 Drawing Sheets

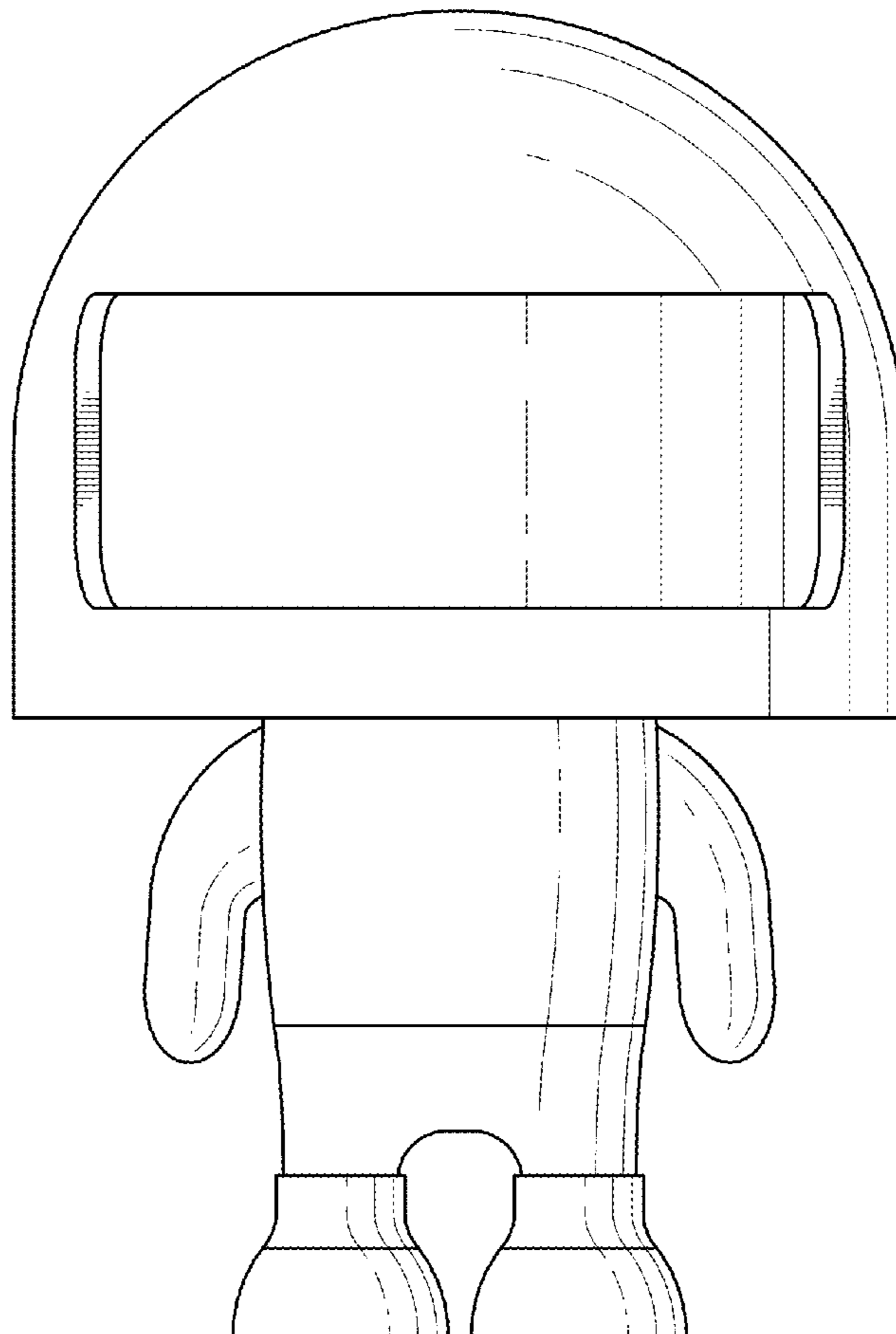
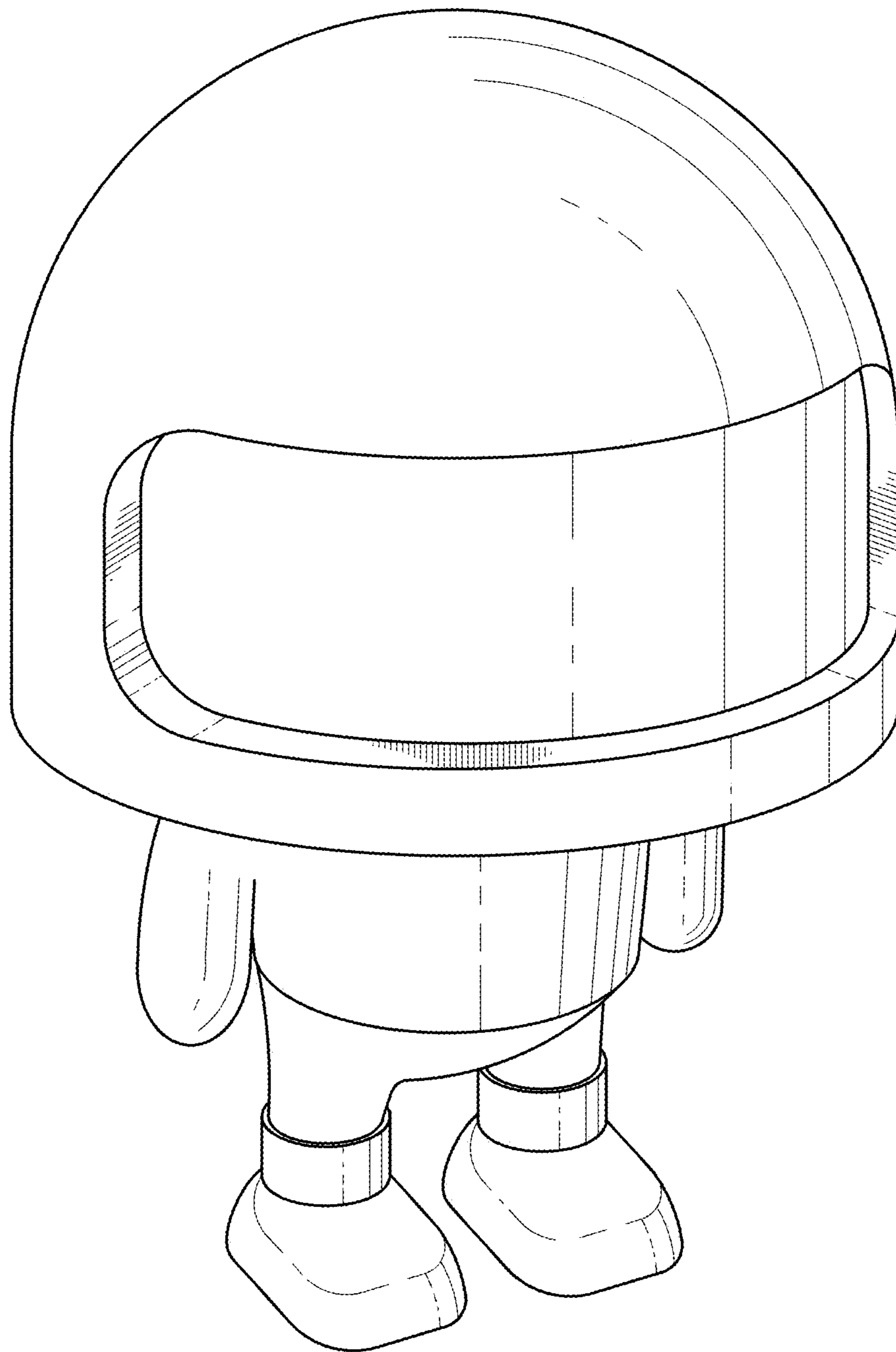


FIG. 1



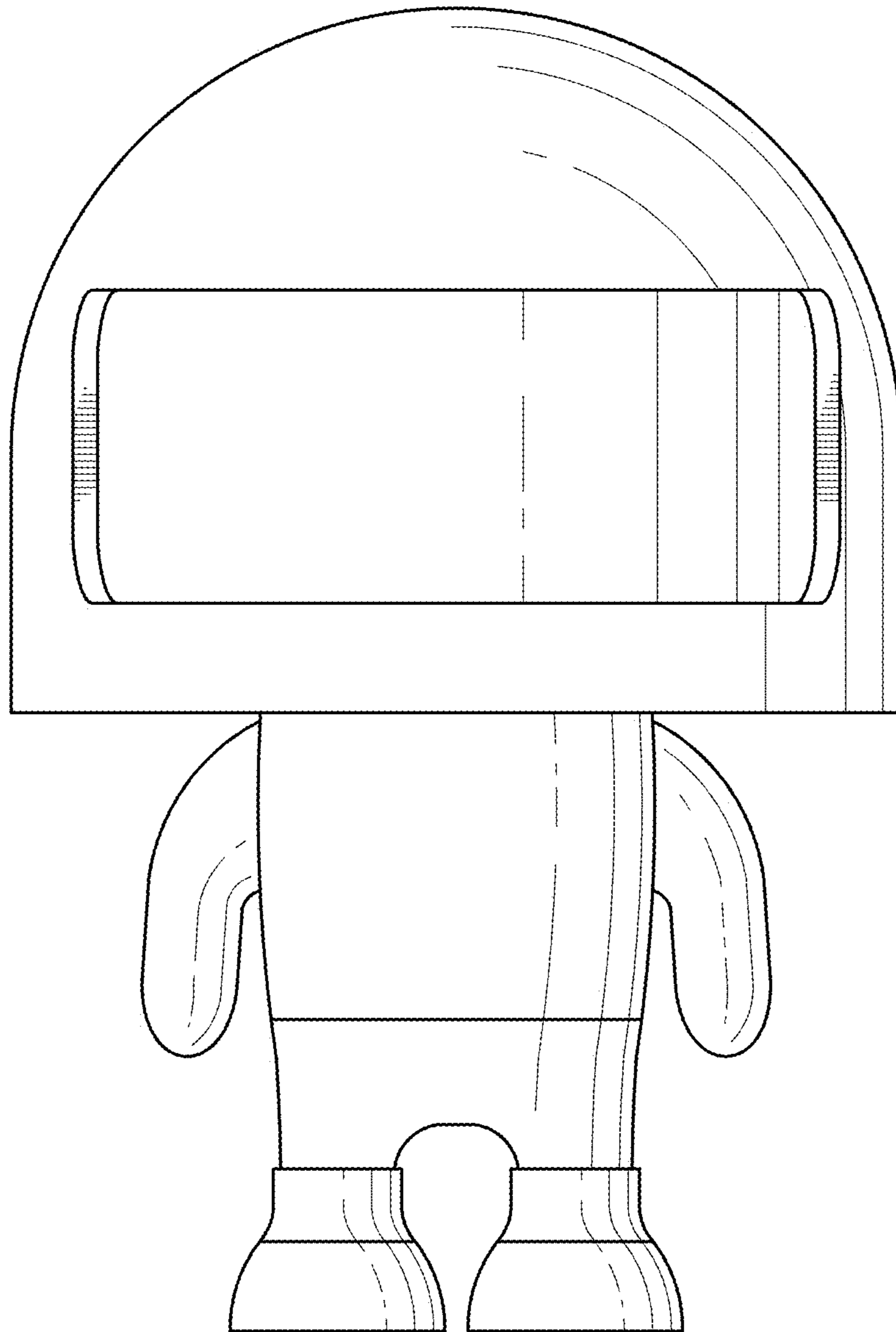


FIG. 2

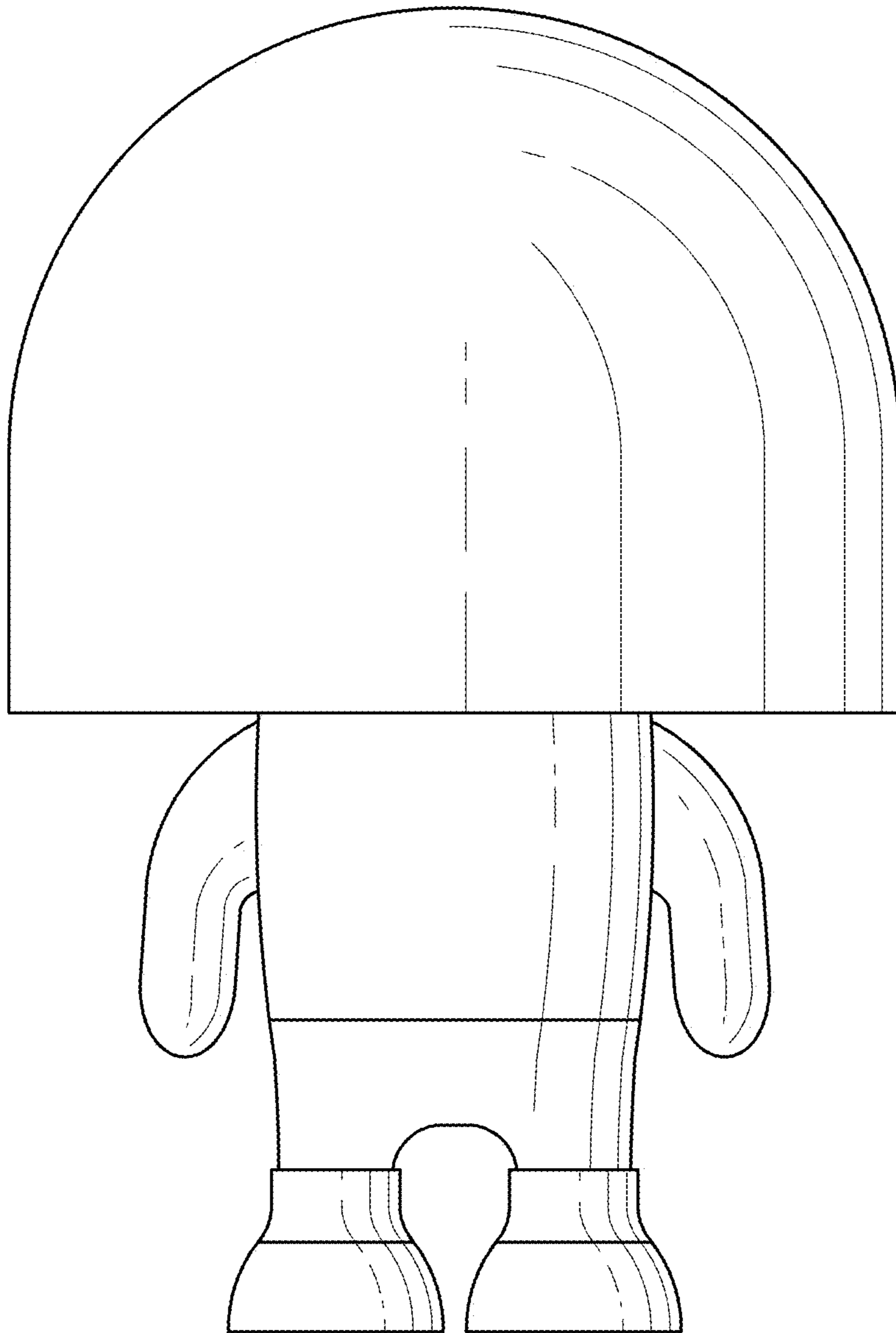


FIG. 3

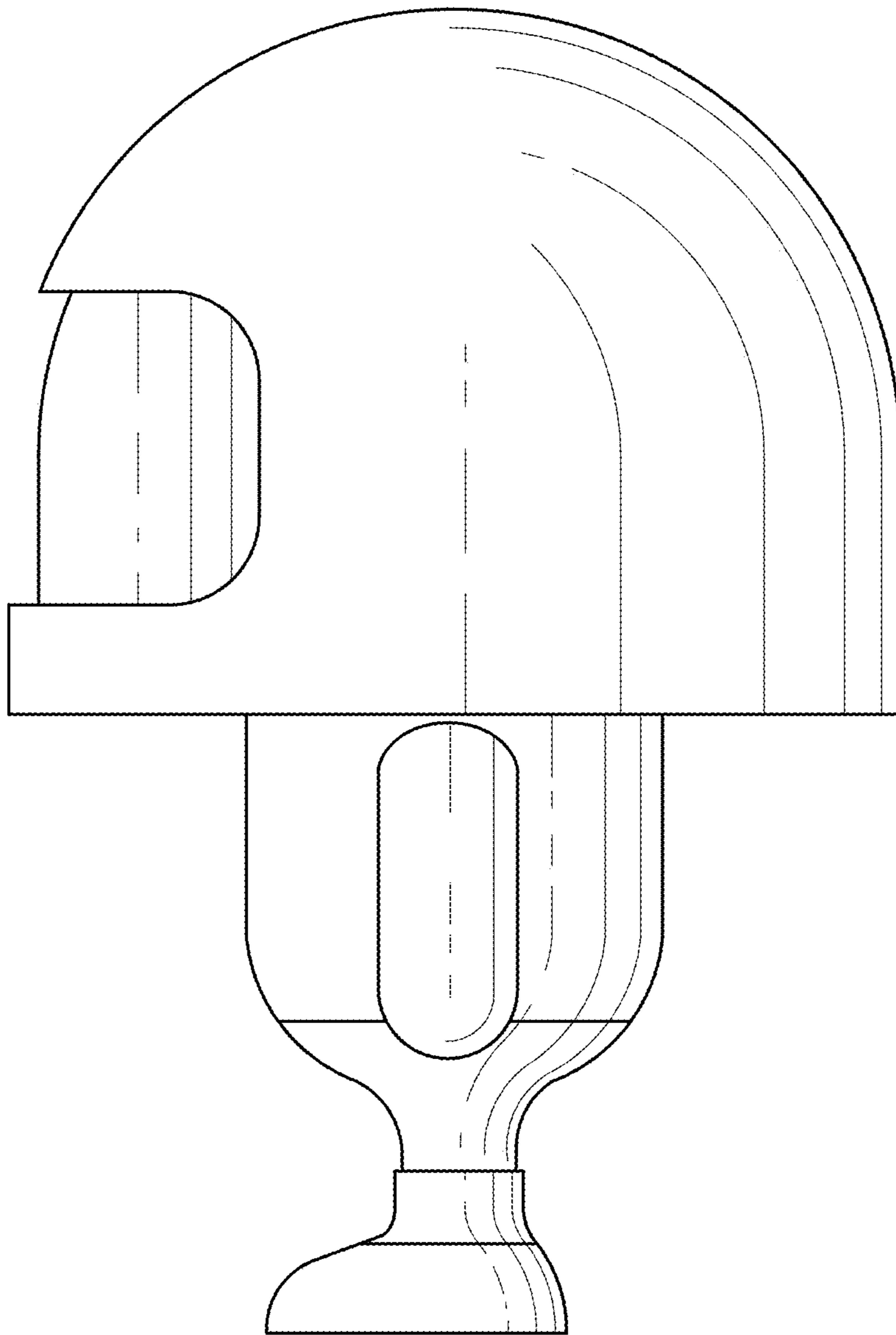


FIG. 4

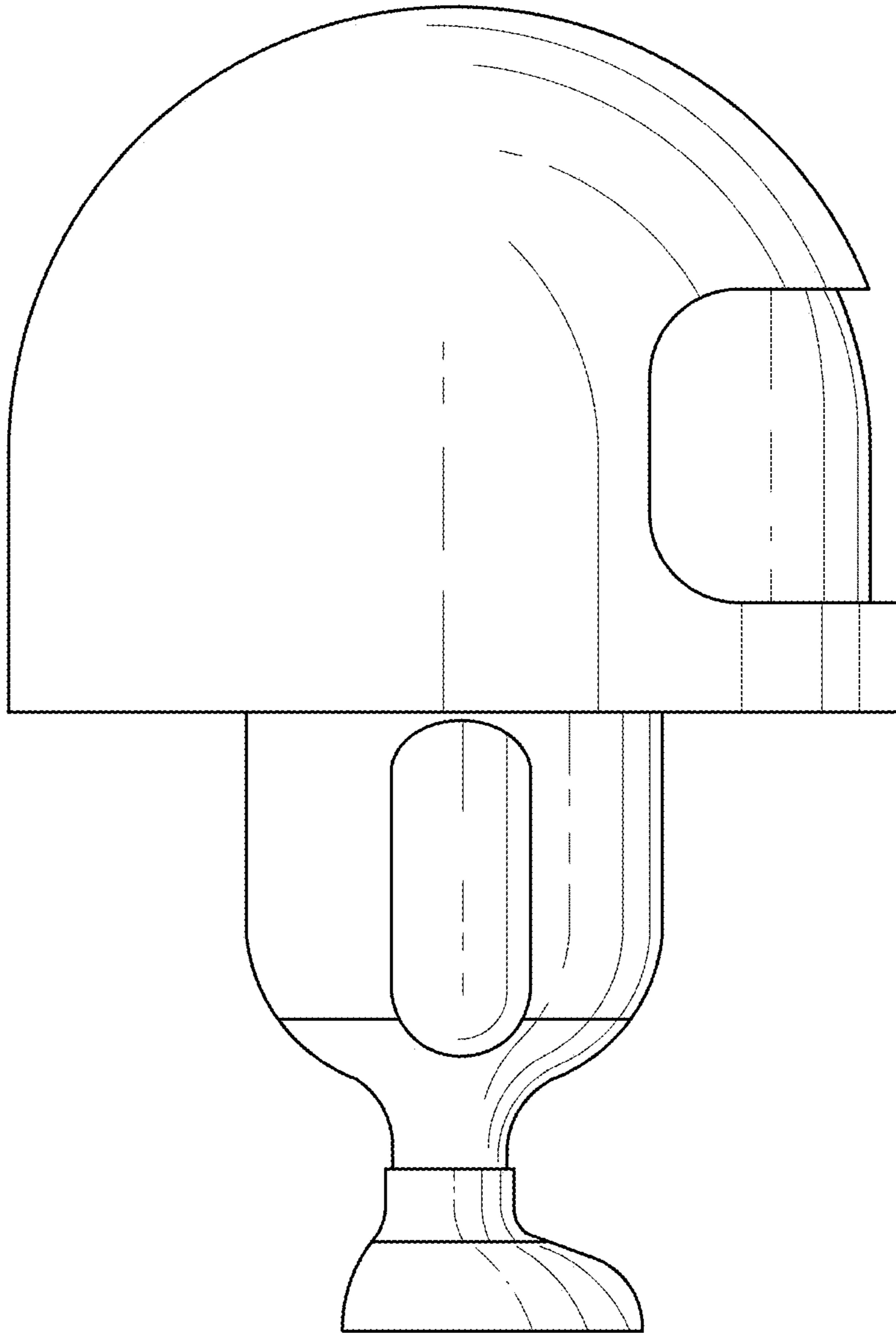


FIG. 5

FIG. 6

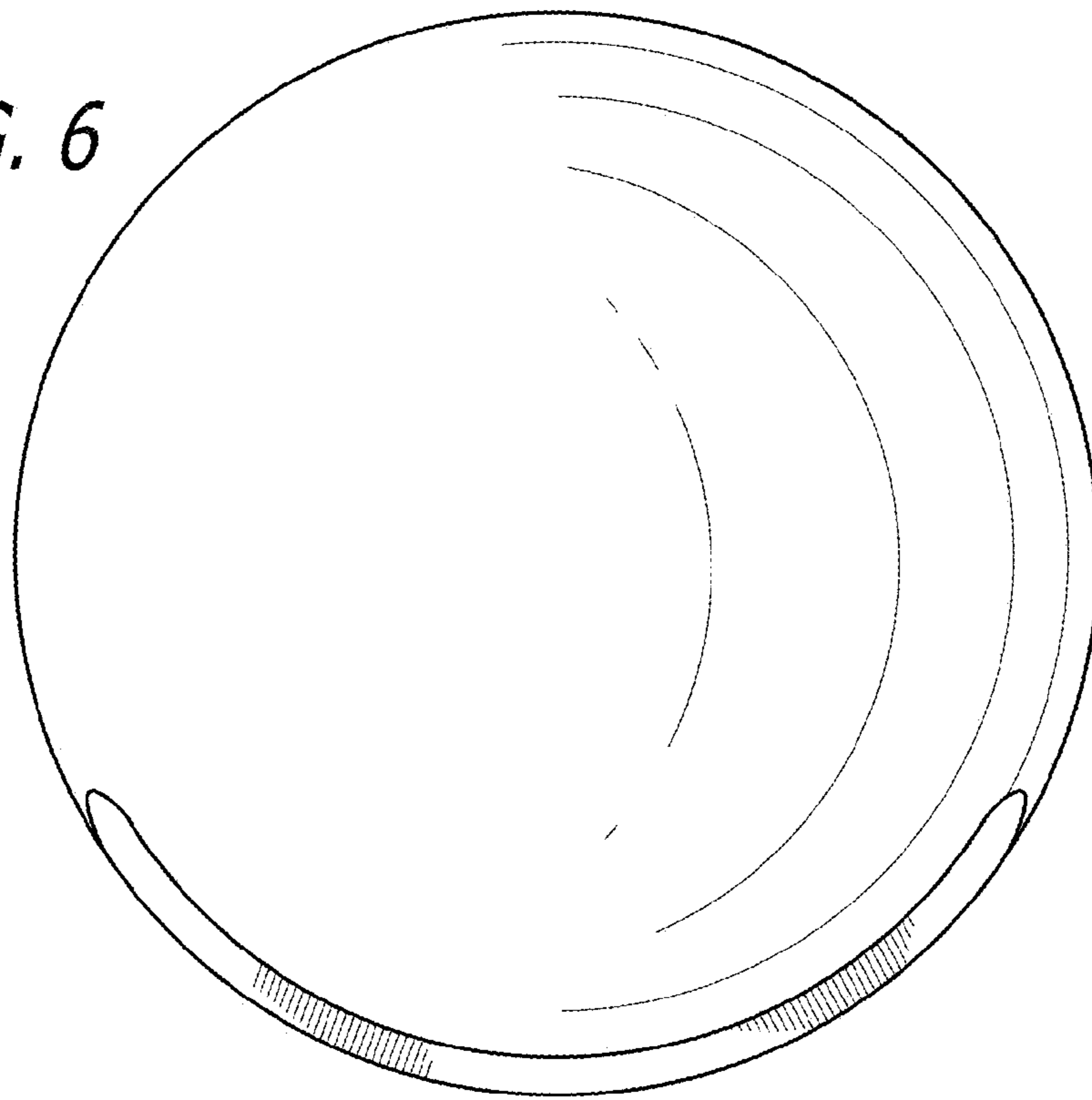


FIG. 7

