



US00D941402S

(12) **United States Design Patent**
Vidal

(10) **Patent No.:** **US D941,402 S**

(45) **Date of Patent:** **** Jan. 18, 2022**

(54) **FLYING AMBULANCE**

(71) Applicant: **Jonathan Vidal**, Jupiter, FL (US)

(72) Inventor: **Jonathan Vidal**, Jupiter, FL (US)

(**) Term: **15 Years**

(21) Appl. No.: **29/759,232**

(22) Filed: **Nov. 20, 2020**

(51) **LOC (13) Cl.** **21-01**

(52) **U.S. Cl.**
USPC **D21/552**

(58) **Field of Classification Search**
USPC D21/431, 433, 434, 533, 537, 548, 552,
D21/553, 554, 555, 556, 560, 580, 581
CPC A63H 17/00; A63H 17/002; A63H 17/05;
A63H 17/055; A63H 17/08; A63H 17/12
See application file for complete search history.

(56) **References Cited**

U.S. PATENT DOCUMENTS

D257,049 S *	9/1980	Okado	D21/552
D262,391 S *	12/1981	Kanaoki	D21/450
D263,325 S *	3/1982	Kanaoki	D21/555
D281,987 S *	12/1985	Catelli	D21/552
D295,772 S *	5/1988	Kwan	D21/552
D424,133 S *	5/2000	Hollis	D21/552

D424,635 S *	5/2000	Hollis	D21/548
D888,164 S *	6/2020	Hu	D21/552
D903,788 S *	12/2020	Chen	D21/531

* cited by examiner

Primary Examiner — Cynthia M. Chin

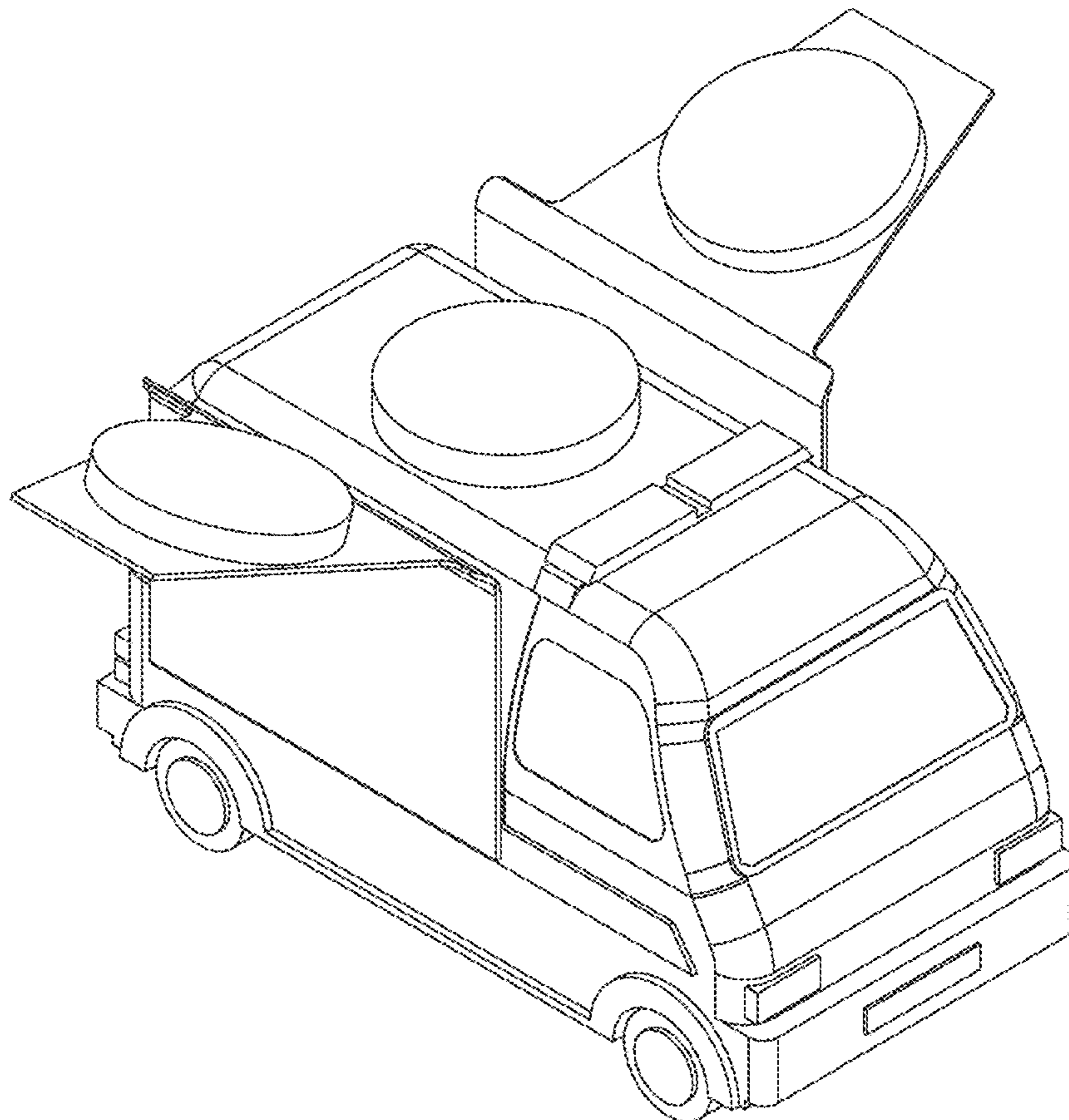
(57) **CLAIM**

The ornamental design for a flying ambulance, as shown and described.

DESCRIPTION

FIG. 1 is a front side view of a flying ambulance, showing my new design.
 FIG. 2 is a rear side view thereof.
 FIG. 3 is a top side view thereof.
 FIG. 4 is a bottom side view thereof.
 FIG. 5 is a right side view thereof.
 FIG. 6 is a left side view thereof.
 FIG. 7 is a perspective view thereof.
 FIG. 8 is another perspective view thereof.
 FIG. 9 is another perspective view thereof.
 FIG. 10 is another perspective view thereof.
 FIG. 11 is another perspective view thereof.
 FIG. 12 is another perspective view thereof.
 FIG. 13 is another perspective view thereof; and,
 FIG. 14 is another perspective view thereof.

1 Claim, 14 Drawing Sheets



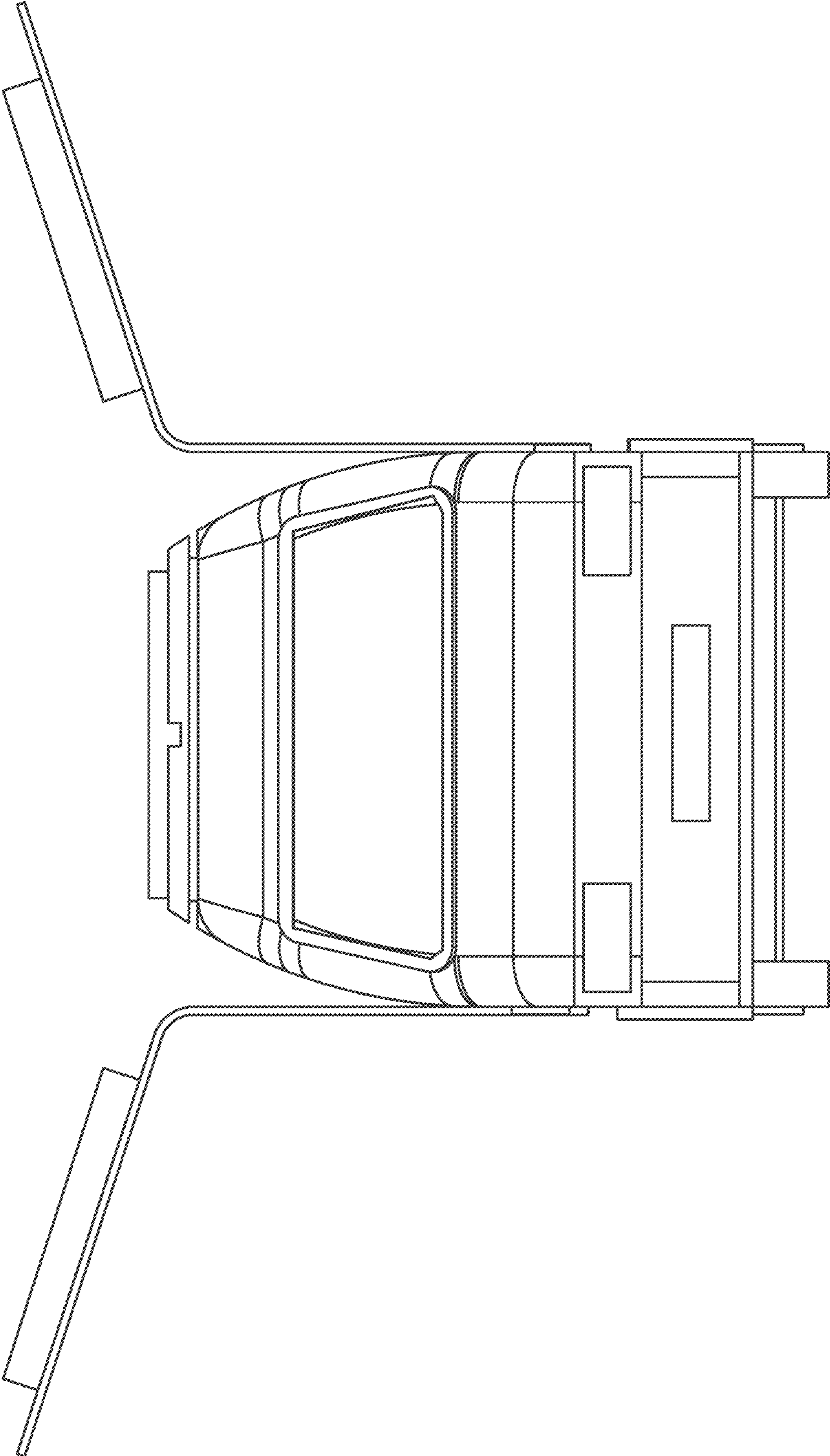


Fig. 1

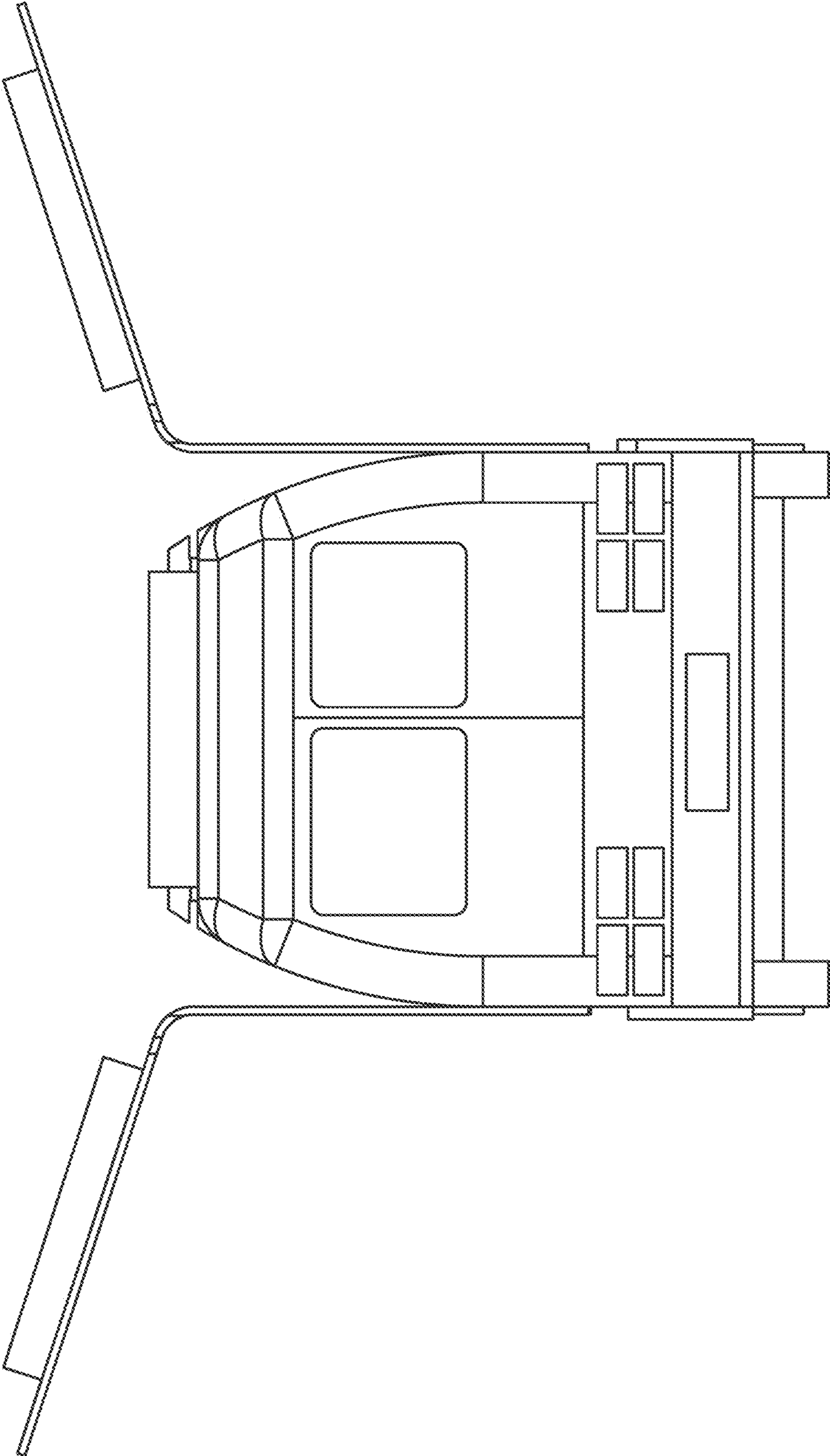


Fig. 2

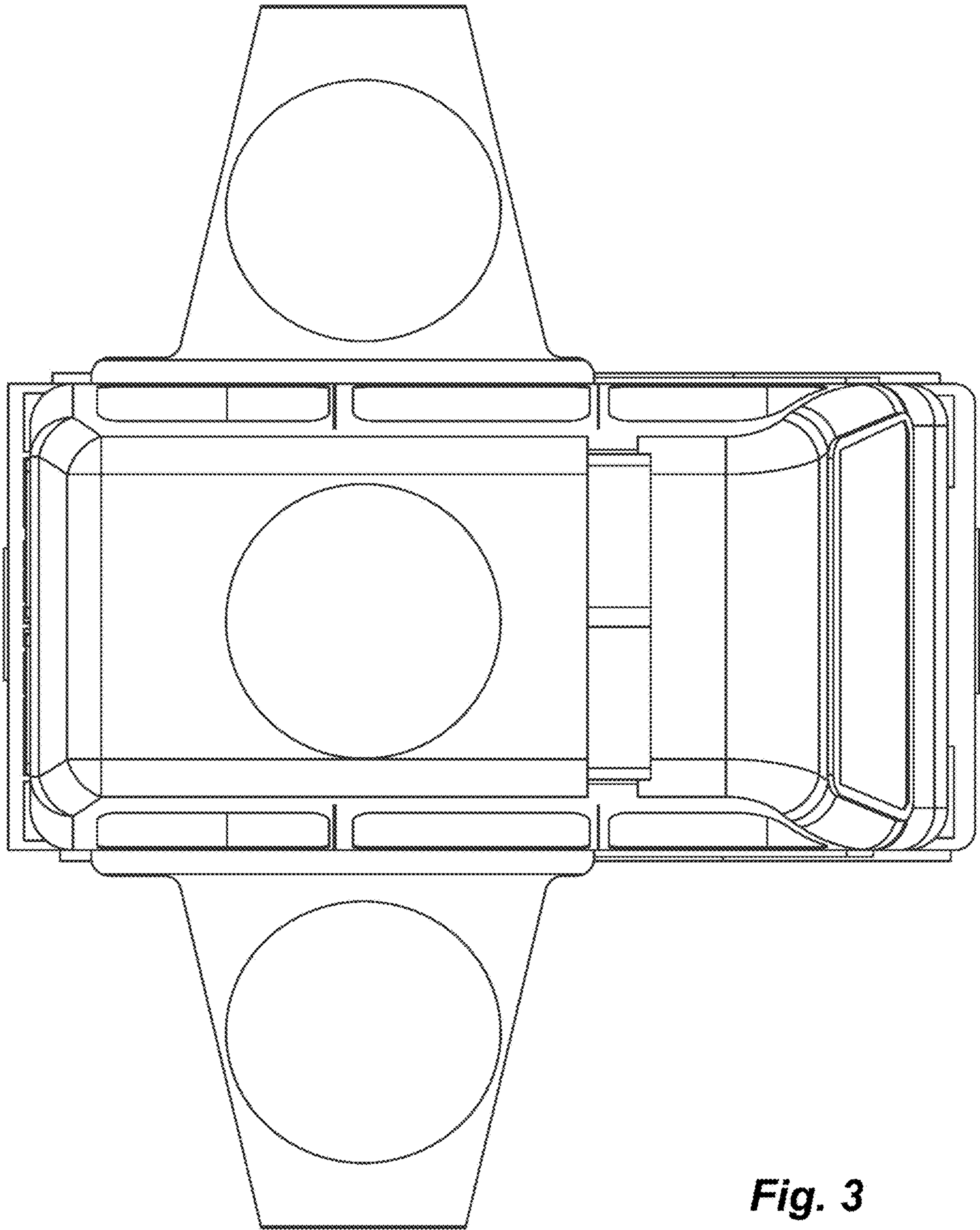


Fig. 3

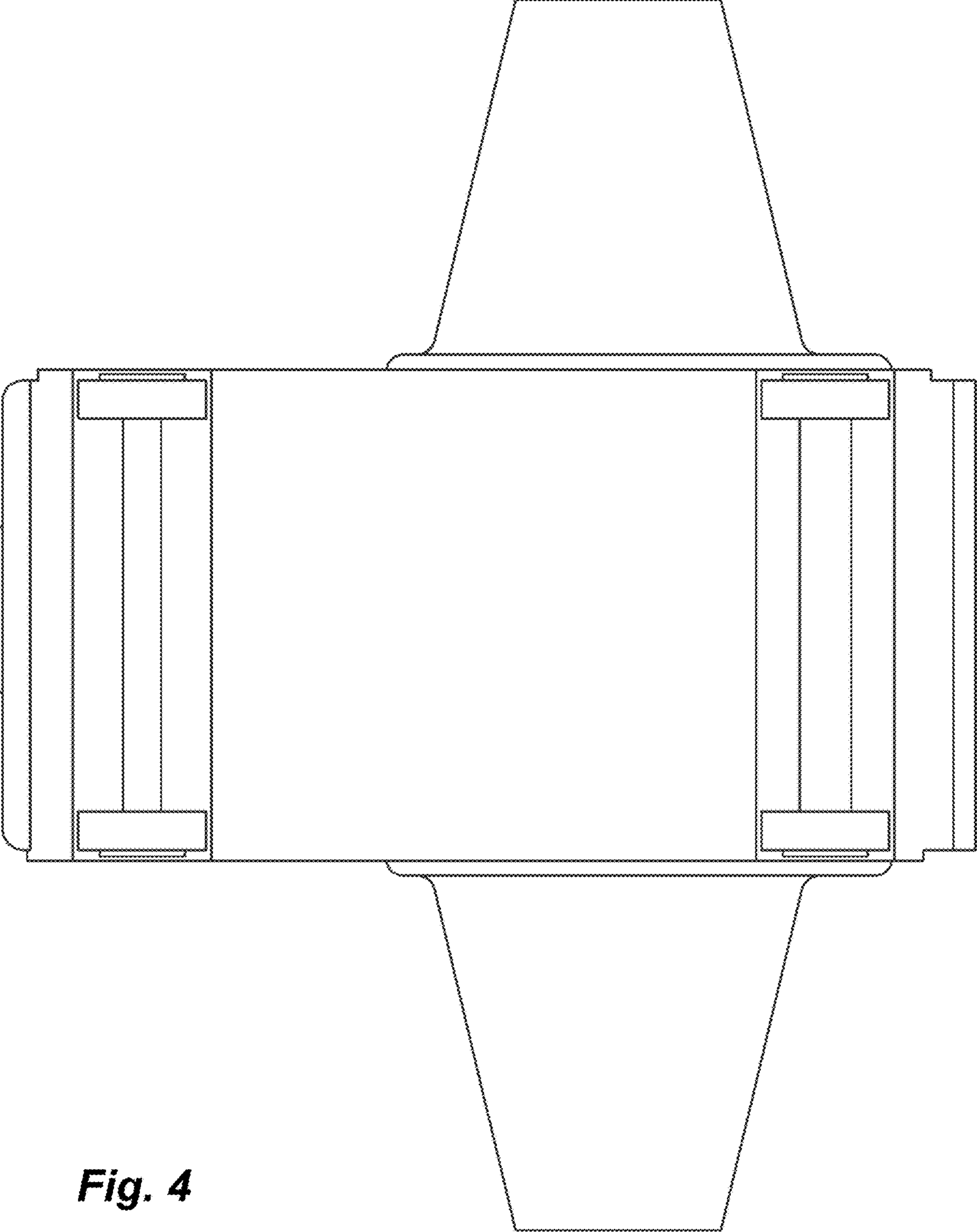


Fig. 4

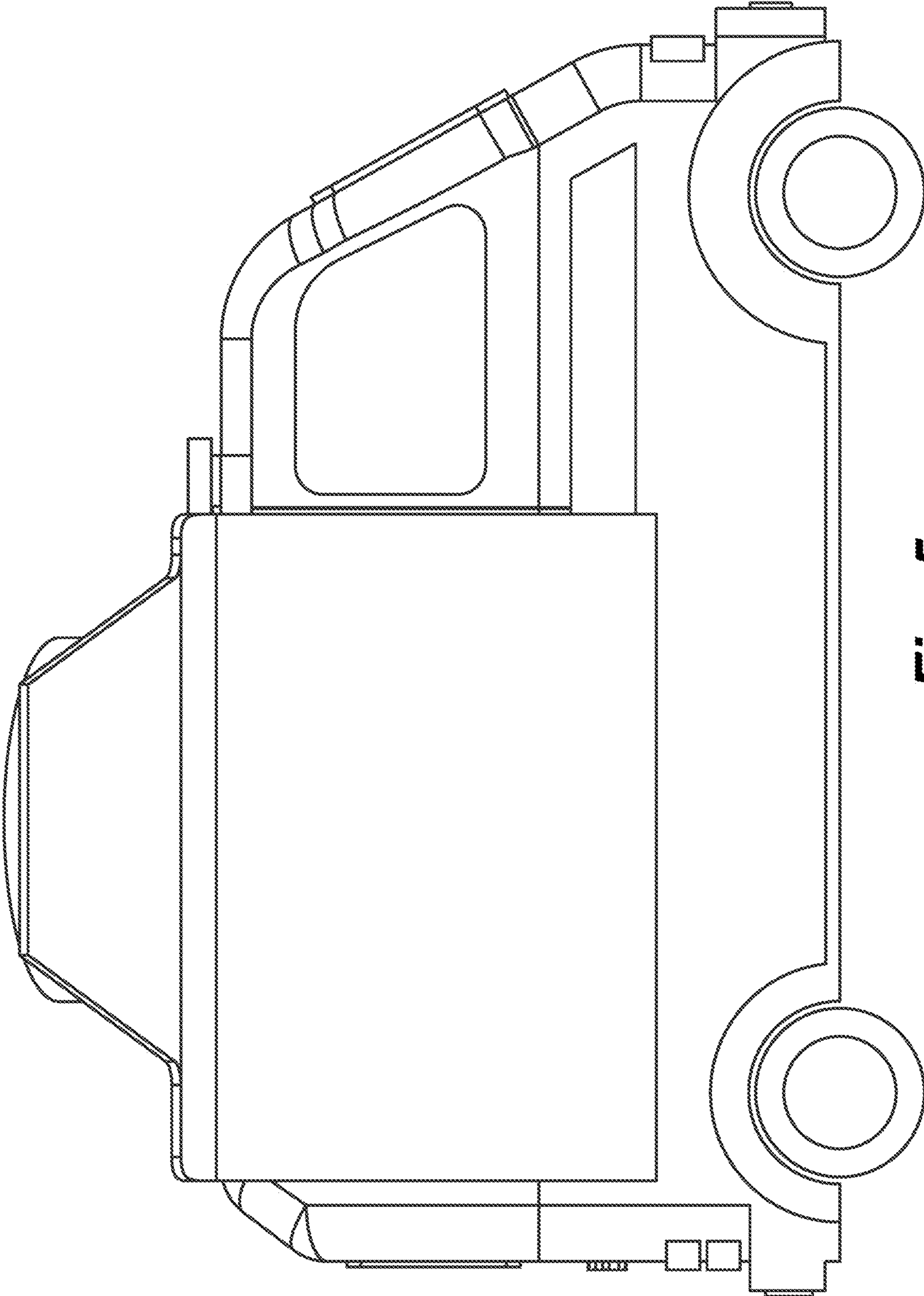


Fig. 5

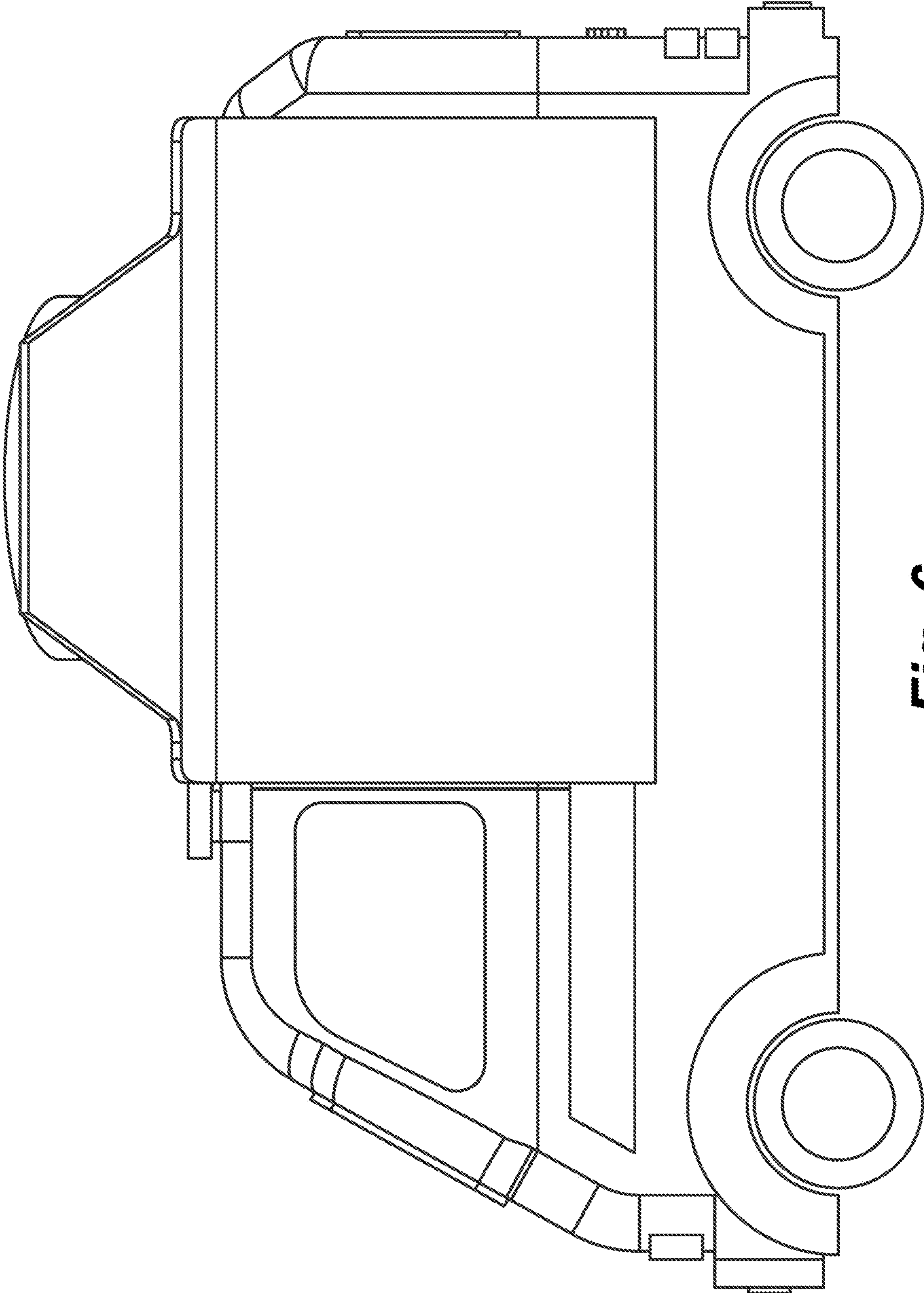


Fig. 6

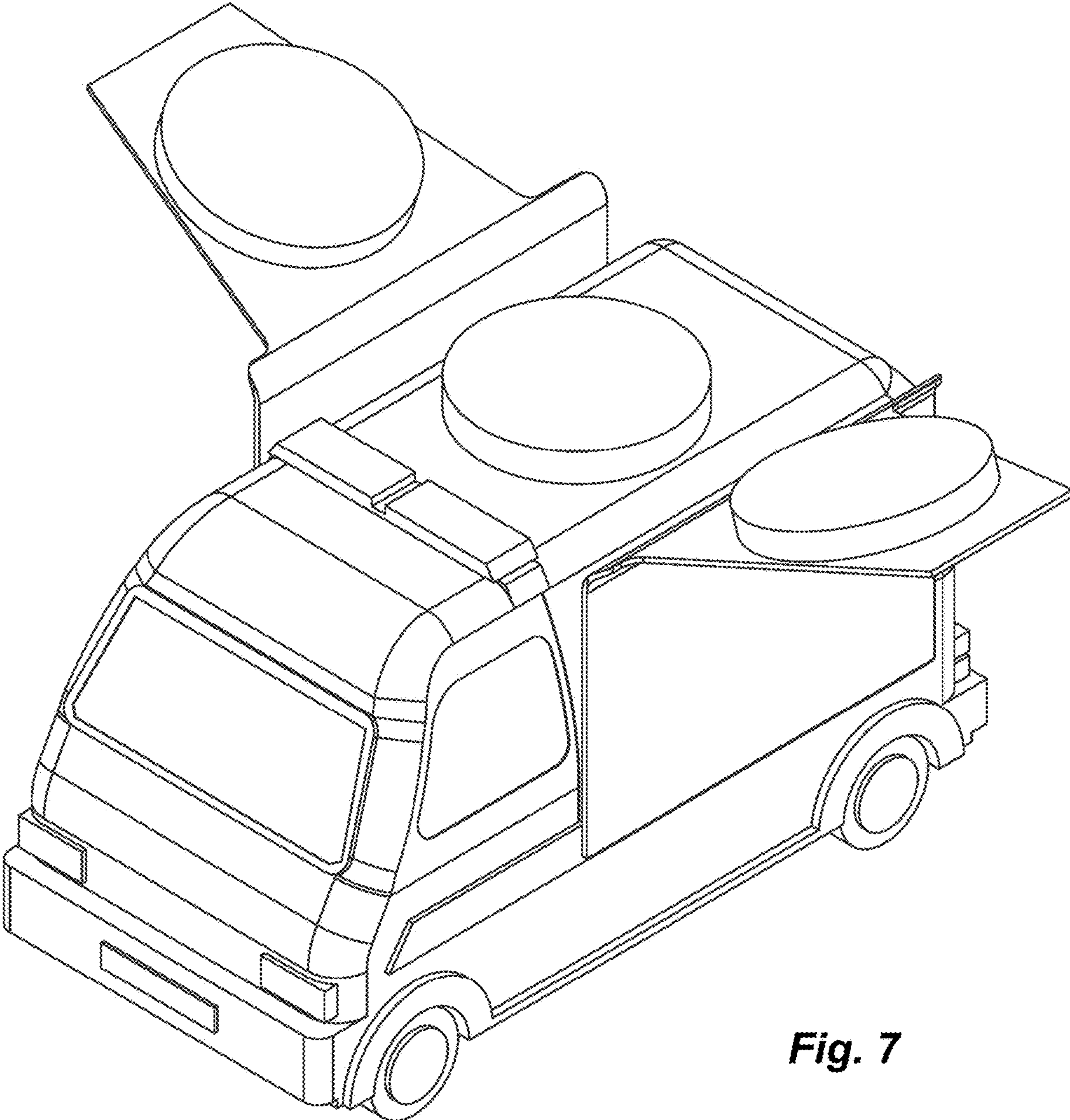


Fig. 7

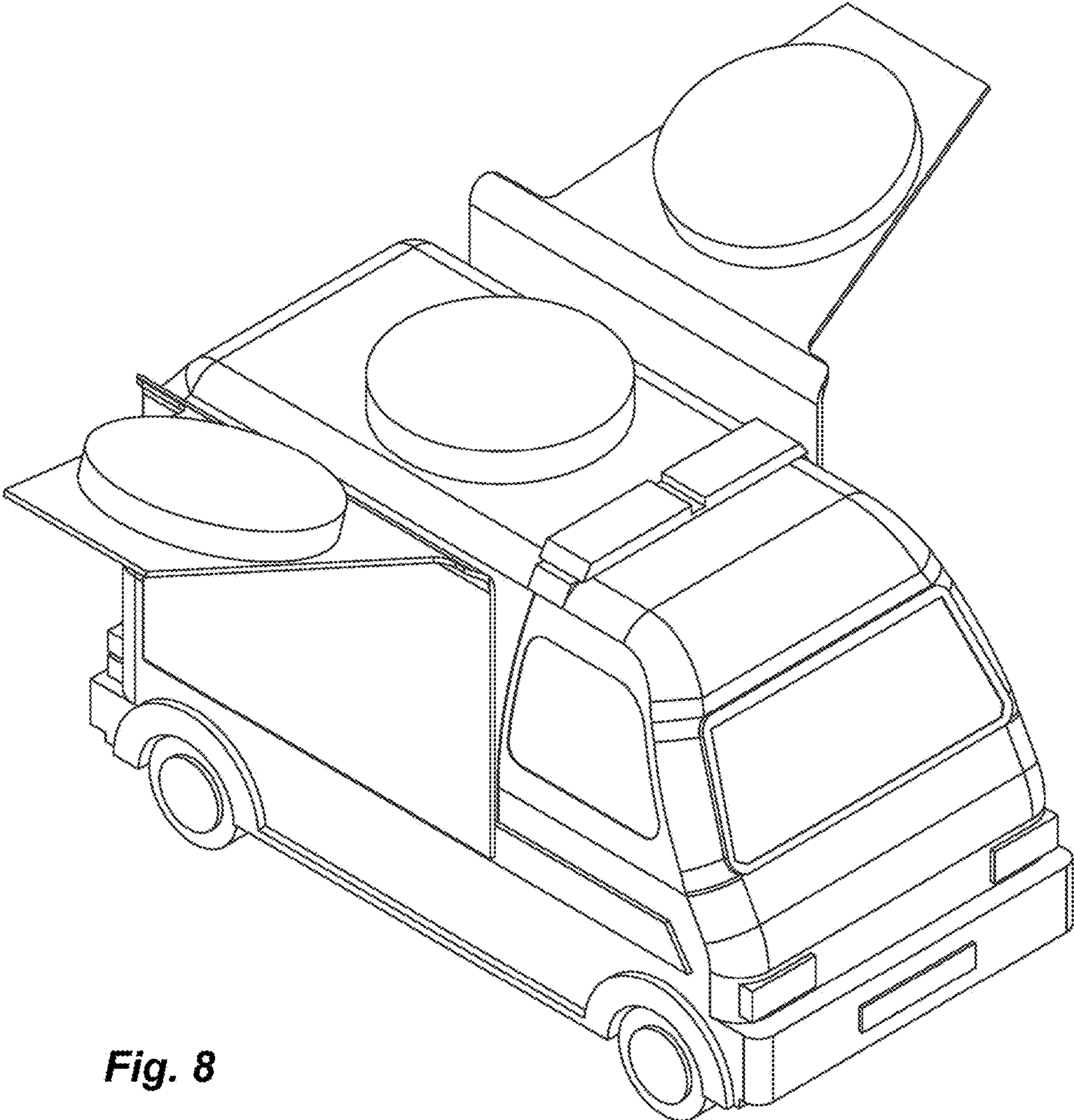


Fig. 8

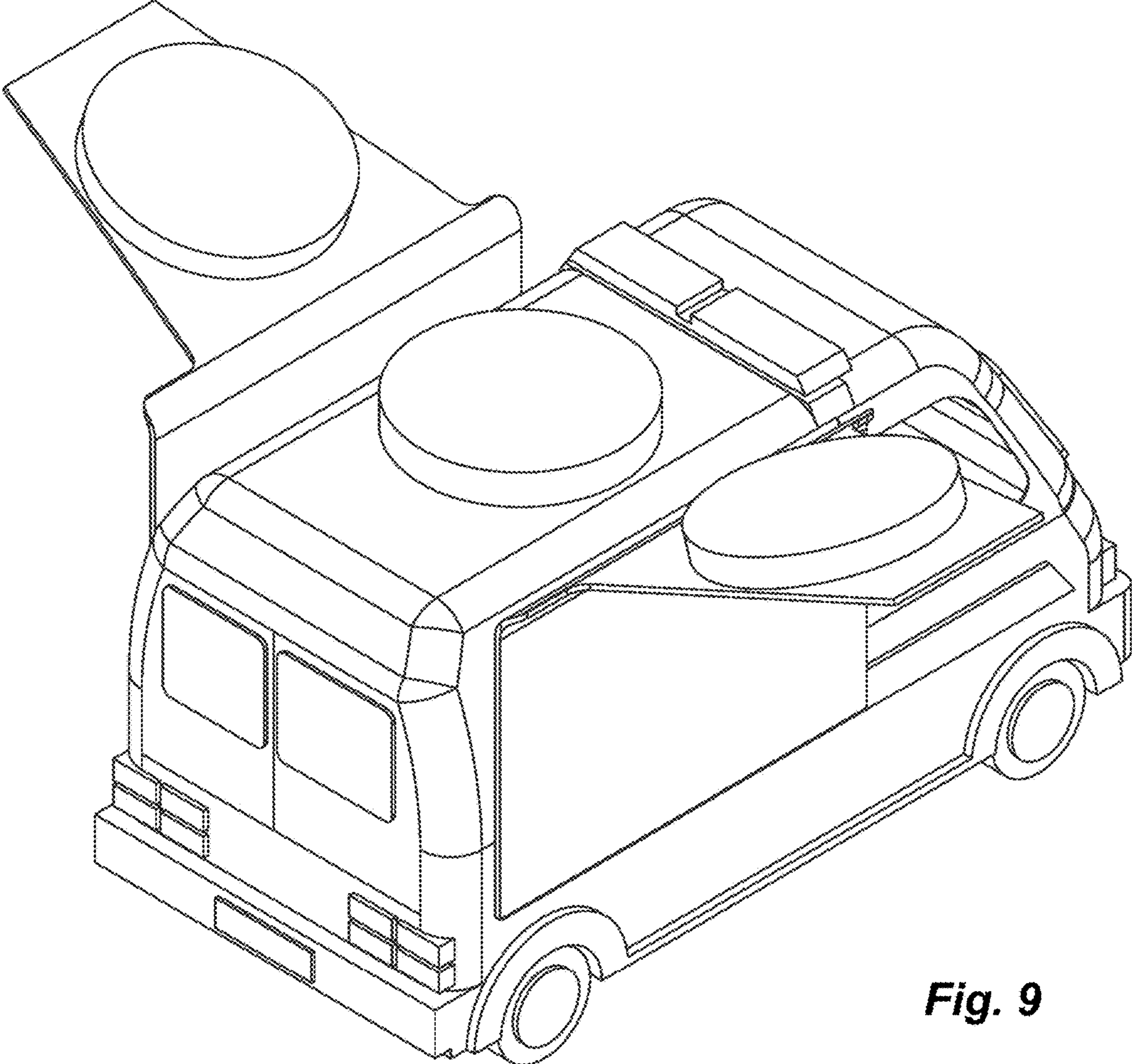


Fig. 9

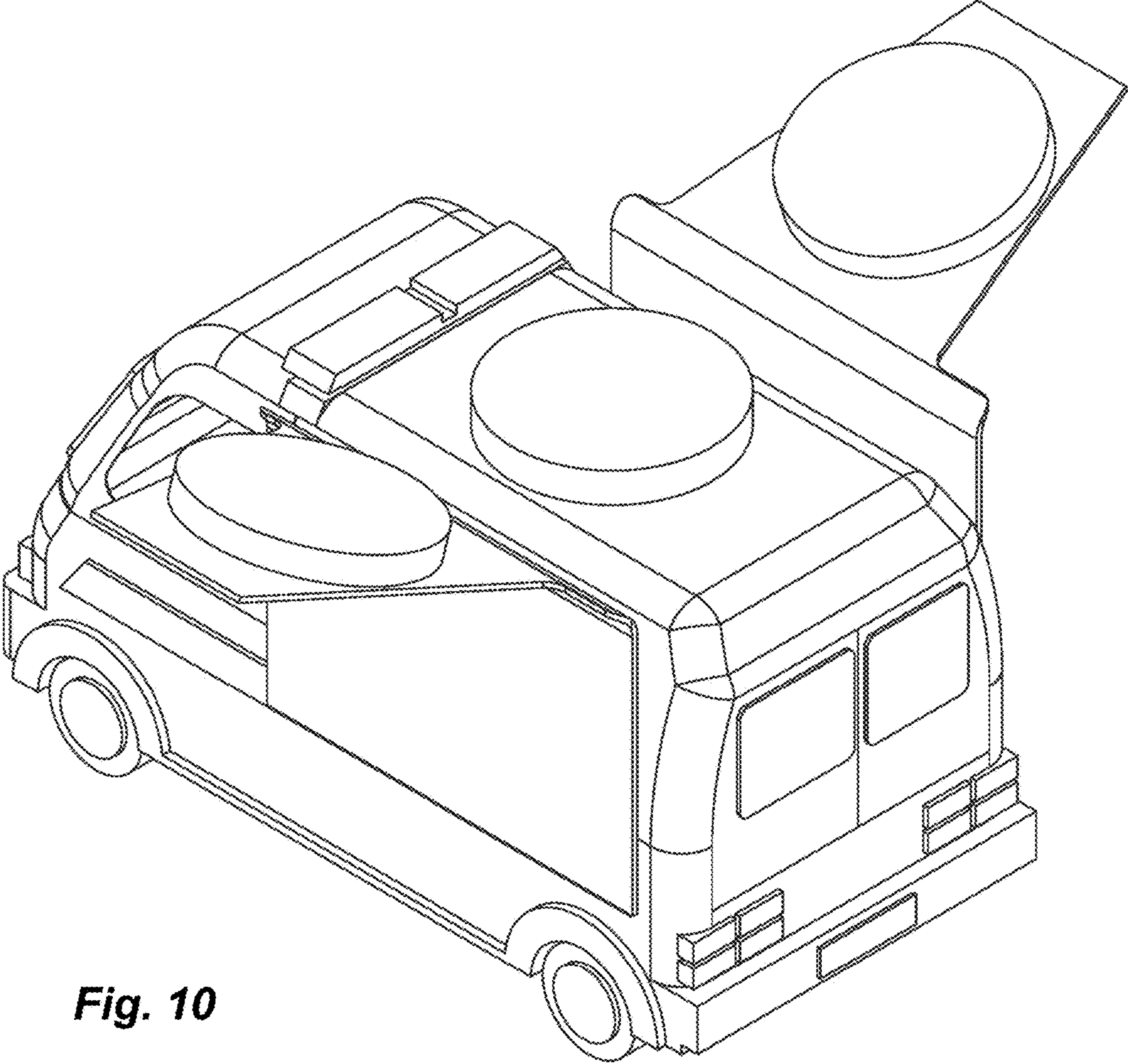


Fig. 10

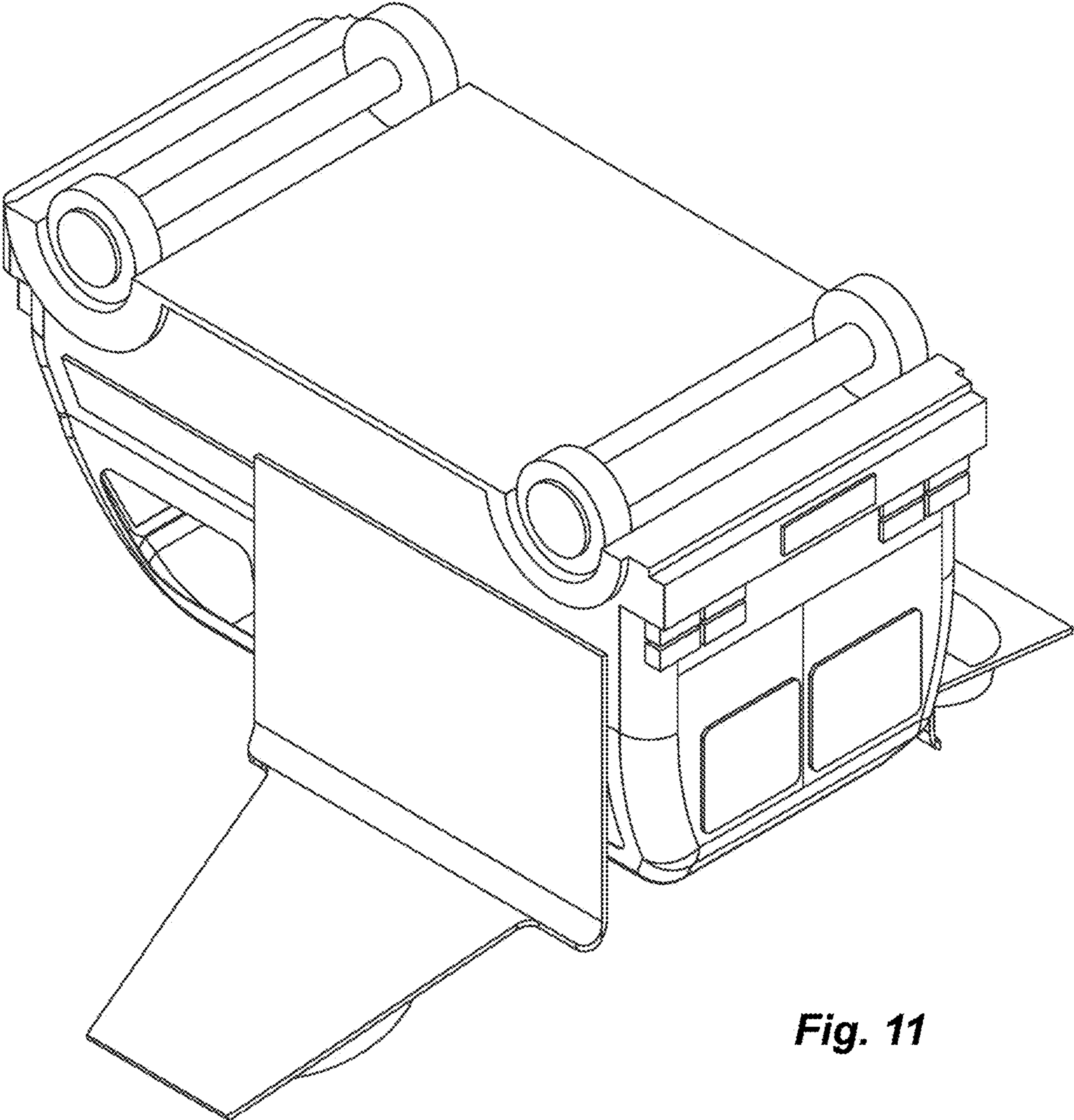


Fig. 11

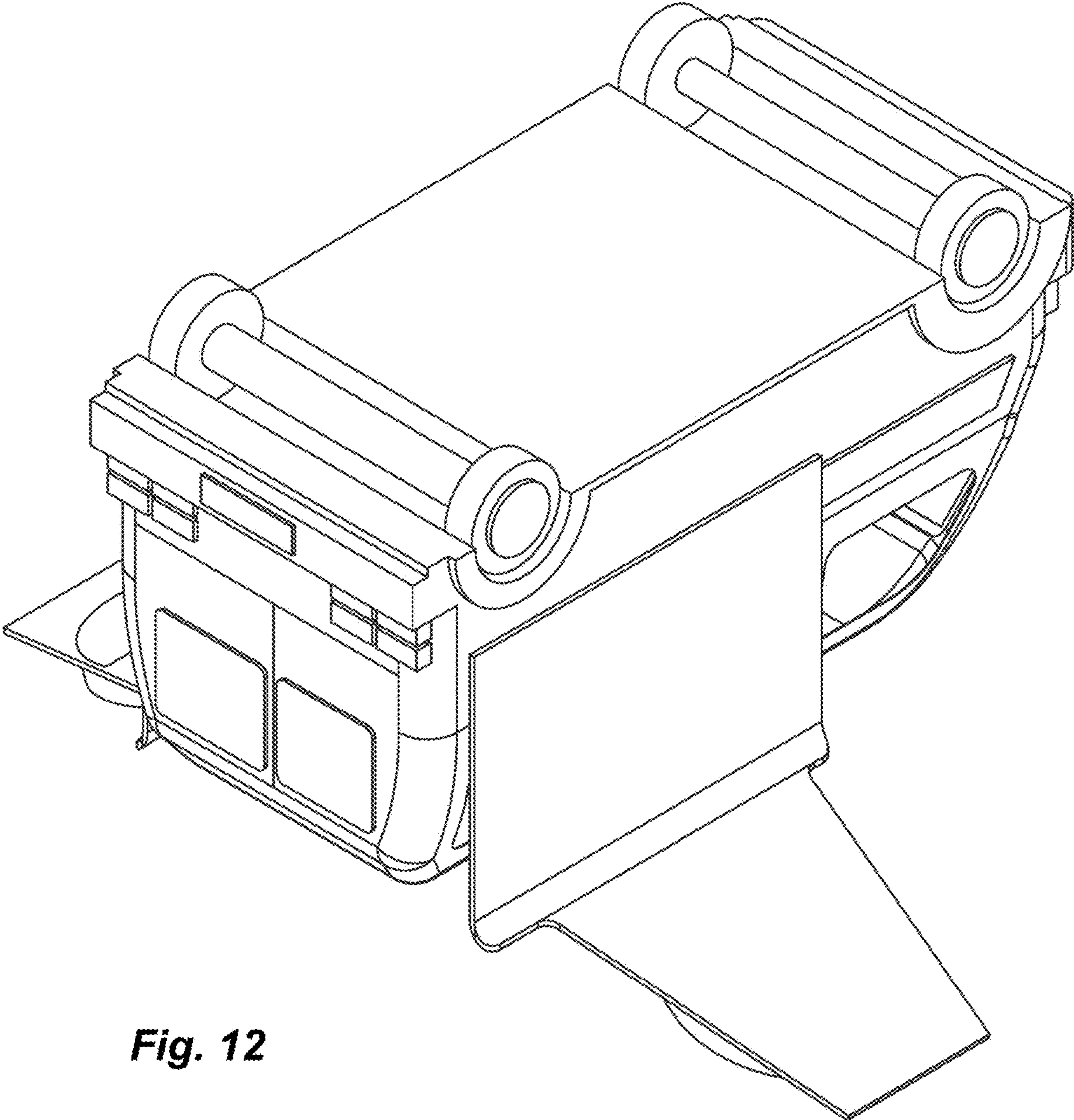


Fig. 12

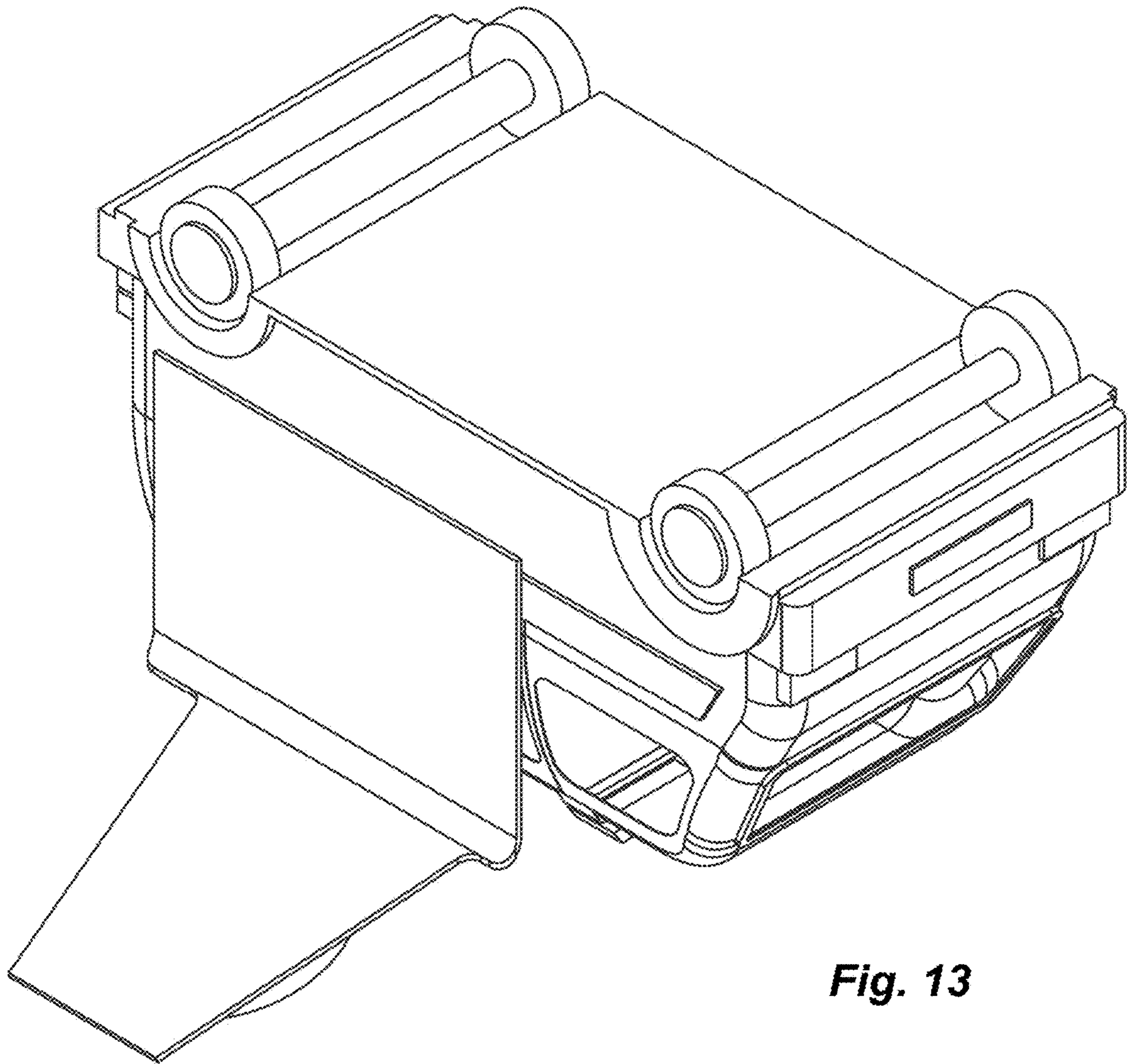


Fig. 13

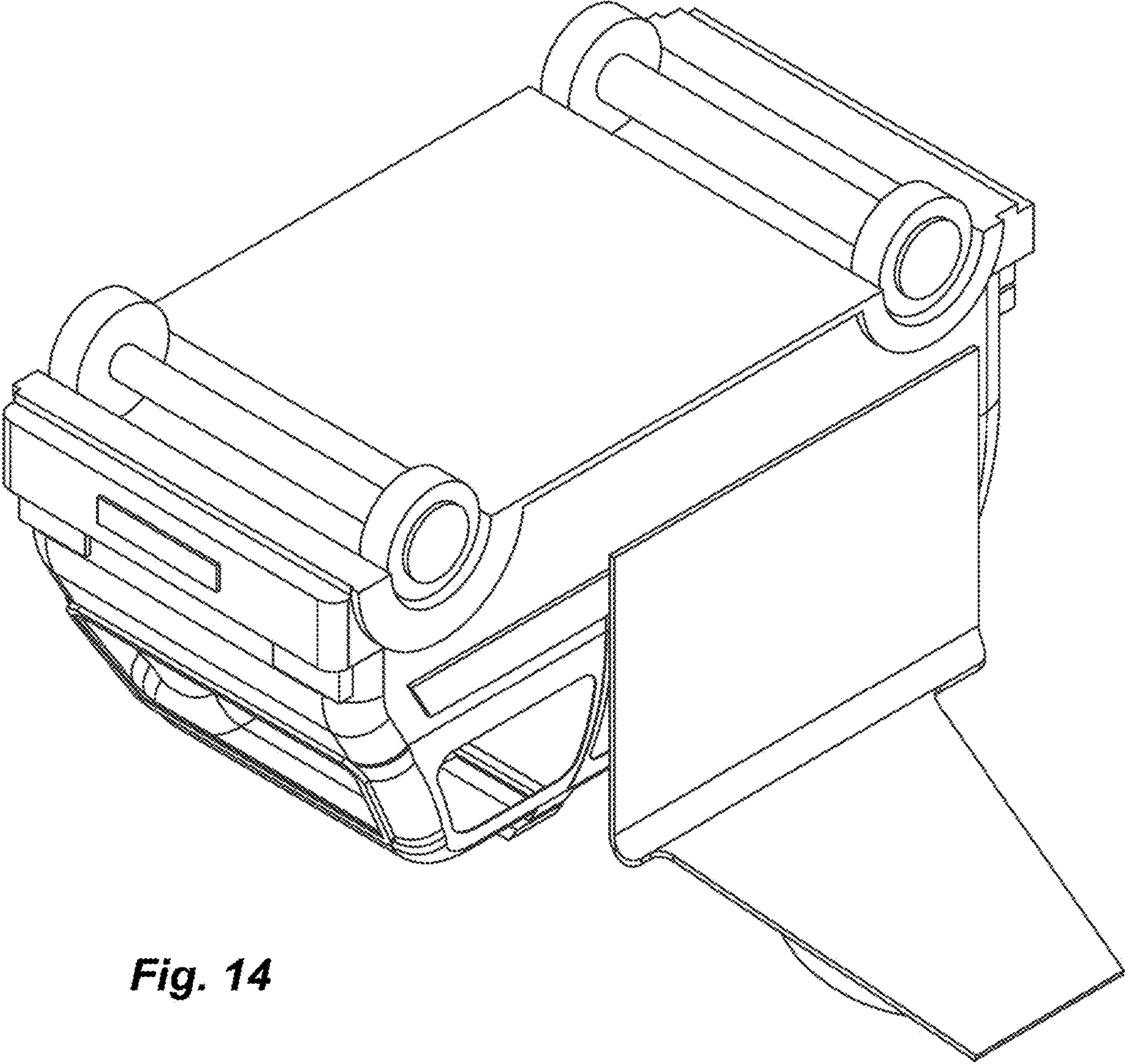


Fig. 14