



US00D941401S

(12) **United States Design Patent**
Wozniak

(10) **Patent No.:** **US D941,401 S**
(45) **Date of Patent:** **** Jan. 18, 2022**

(54) **REMOTE CONTROL TRUCK**
(71) Applicant: **MerchSource, LLC**, Irvine, CA (US)
(72) Inventor: **Leonard Wozniak**, Santa Monica, CA (US)

(73) Assignee: **MerchSource, LLC**, Irvine, CA (US)

(**) Term: **15 Years**

(21) Appl. No.: **29/676,853**

(22) Filed: **Jan. 15, 2019**

(51) **LOC (13) Cl.** **21-01**

(52) **U.S. Cl.**
USPC **D21/552**

(58) **Field of Classification Search**
USPC D21/533, 548, 549, 550, 552, 557, 558,
D21/559, 560, 561, 562
CPC A63H 17/00; A63H 17/004; A63H 17/26;
A63H 17/262; A63H 17/36; A63H 30/00;
A63H 30/04
See application file for complete search history.

(56) **References Cited**

U.S. PATENT DOCUMENTS

D236,017 S *	7/1975	Korpijaako et al.	D21/548
D307,611 S *	5/1990	Bradshaw	D21/559
D384,998 S *	10/1997	Høst	D21/559
D402,335 S *	12/1998	Thomas	D21/552
D457,578 S *	5/2002	Zweiback	D21/552
D643,884 S *	8/2011	Alvarez	D21/566
D771,203 S *	11/2016	Gan	D21/552
D841,743 S *	2/2019	Barajas	D21/548

D869,570 S *	12/2019	Barajas	D21/548
D875,185 S *	2/2020	Zeng	D21/552
2005/0250416 A1 *	11/2005	Barthold	A63H 17/00 446/465
2013/0072085 A1 *	3/2013	Shindo	A63H 17/262 446/454
2020/0101394 A1 *	4/2020	Dunham	A63H 17/262

* cited by examiner

Primary Examiner — Cynthia M. Chin

(74) *Attorney, Agent, or Firm* — Avyno Law P.C.

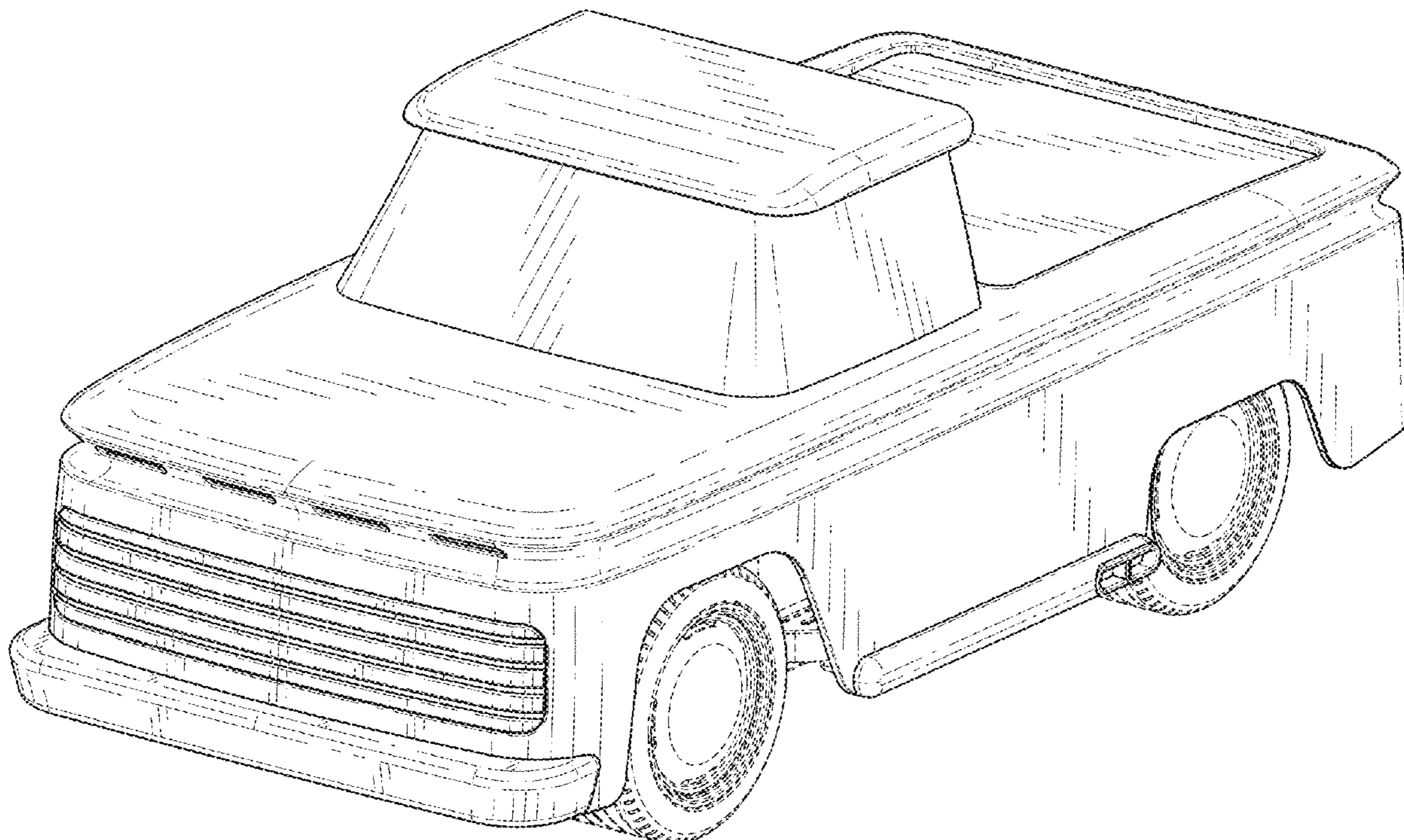
(57) **CLAIM**

I claim the ornamental design for a remote control truck, as shown and described.

DESCRIPTION

FIG. 1 is a front perspective view of a remote control truck. FIG. 2 is a rear perspective view of the remote control truck of FIG. 1. FIG. 3 is a front view of the remote control truck of FIG. 1. FIG. 4 is a back of the remote control truck of FIG. 1. FIG. 5 is a side view of the right side of the remote control truck of FIG. 1. FIG. 6 is a side view of the left side of the remote control truck of FIG. 1. FIG. 7 is a top view of the remote control truck of FIG. 1; and, FIG. 8 is a bottom view of the remote control truck of FIG. 1. The broken lines shown are included for the purpose of illustrating portions of the article which form no part of the claimed design.

1 Claim, 8 Drawing Sheets



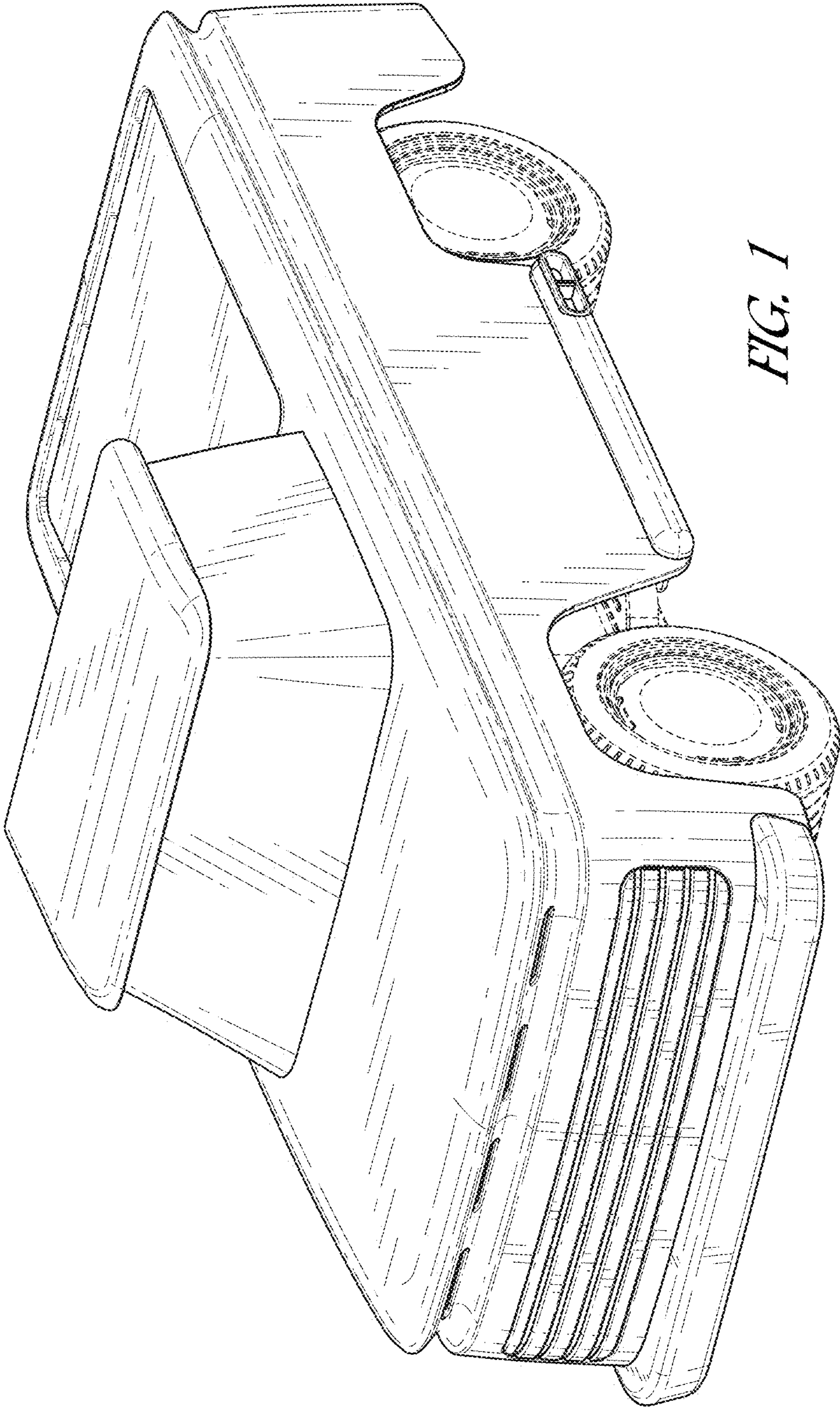


FIG. 1

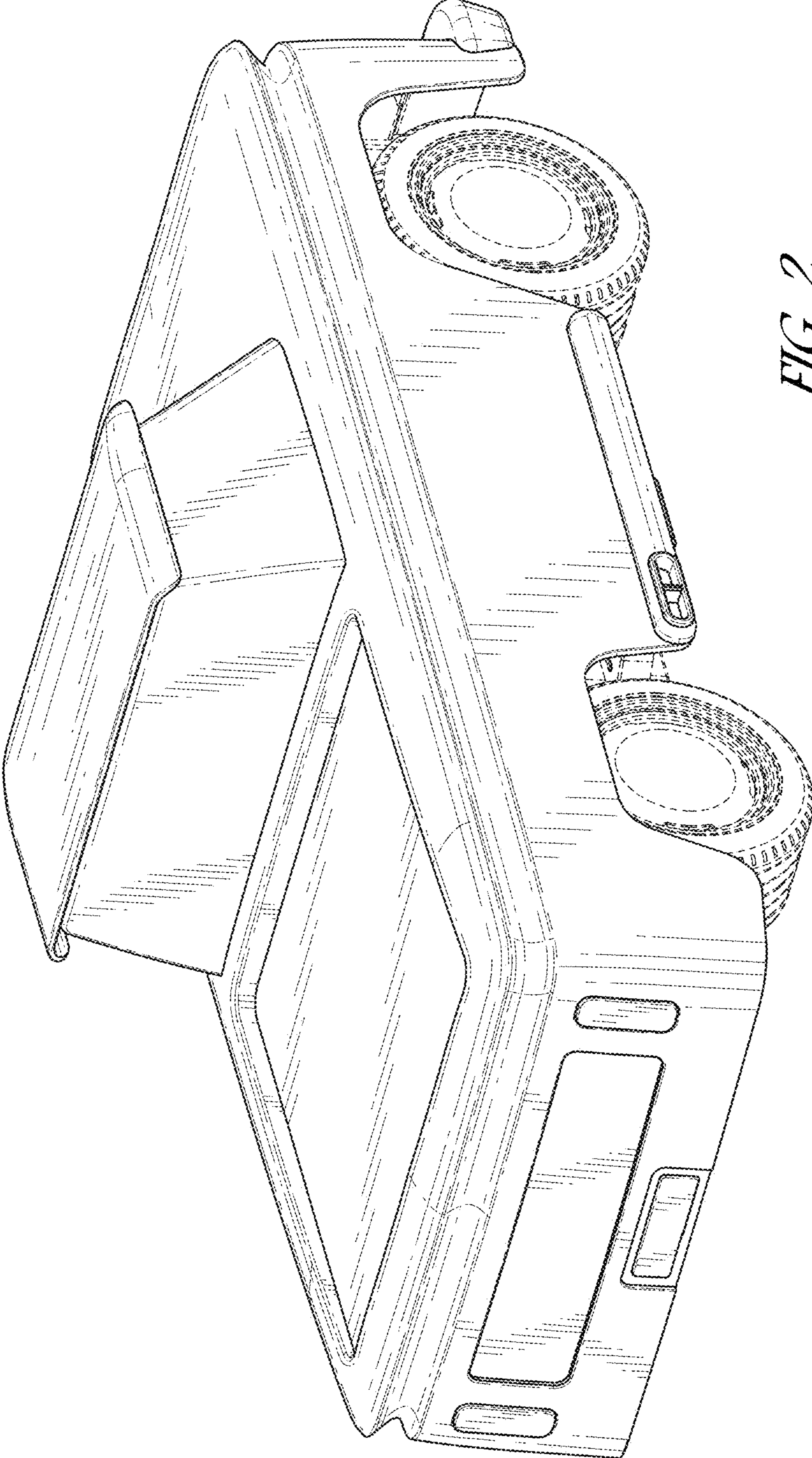


FIG. 2

FIG. 3

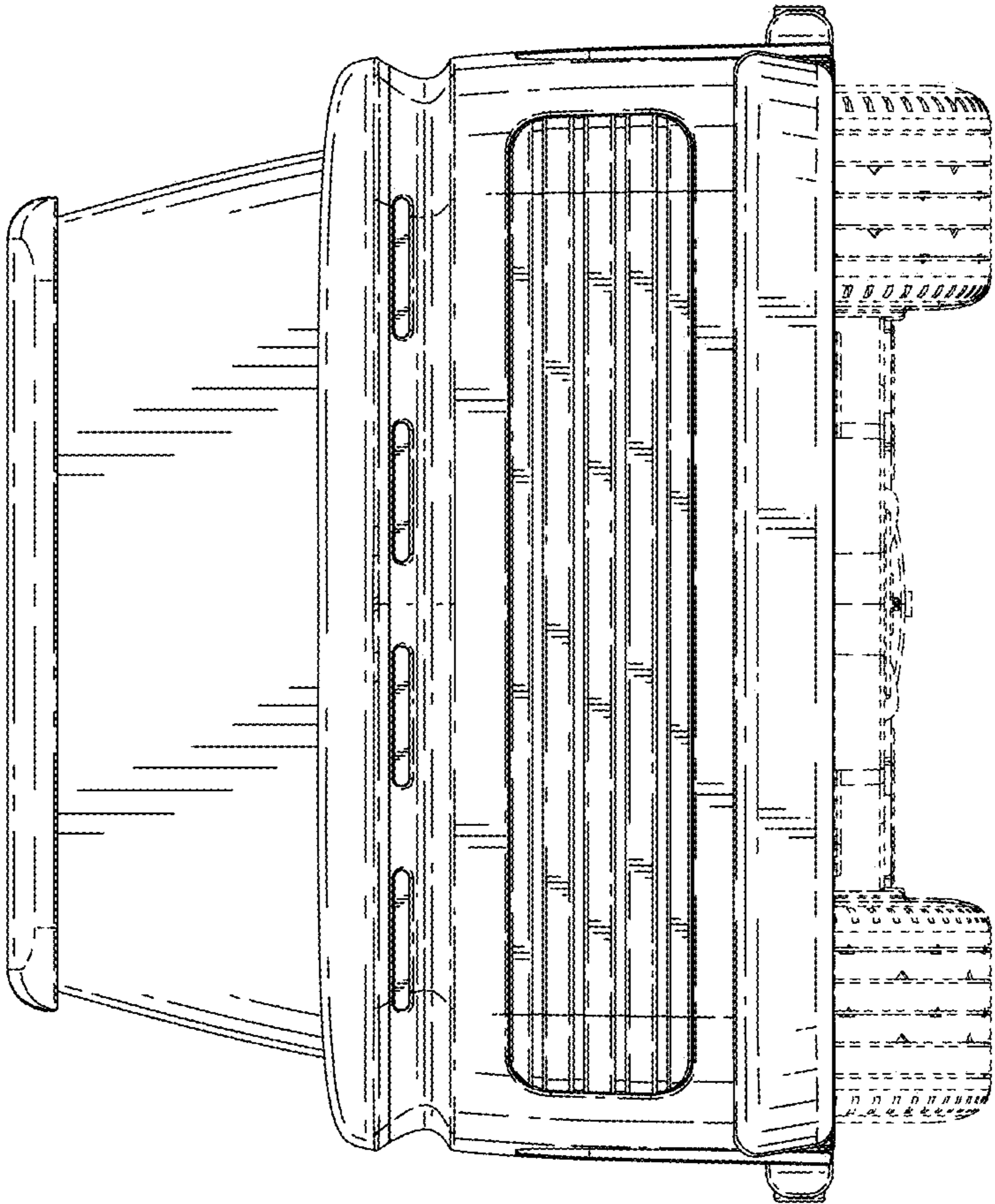
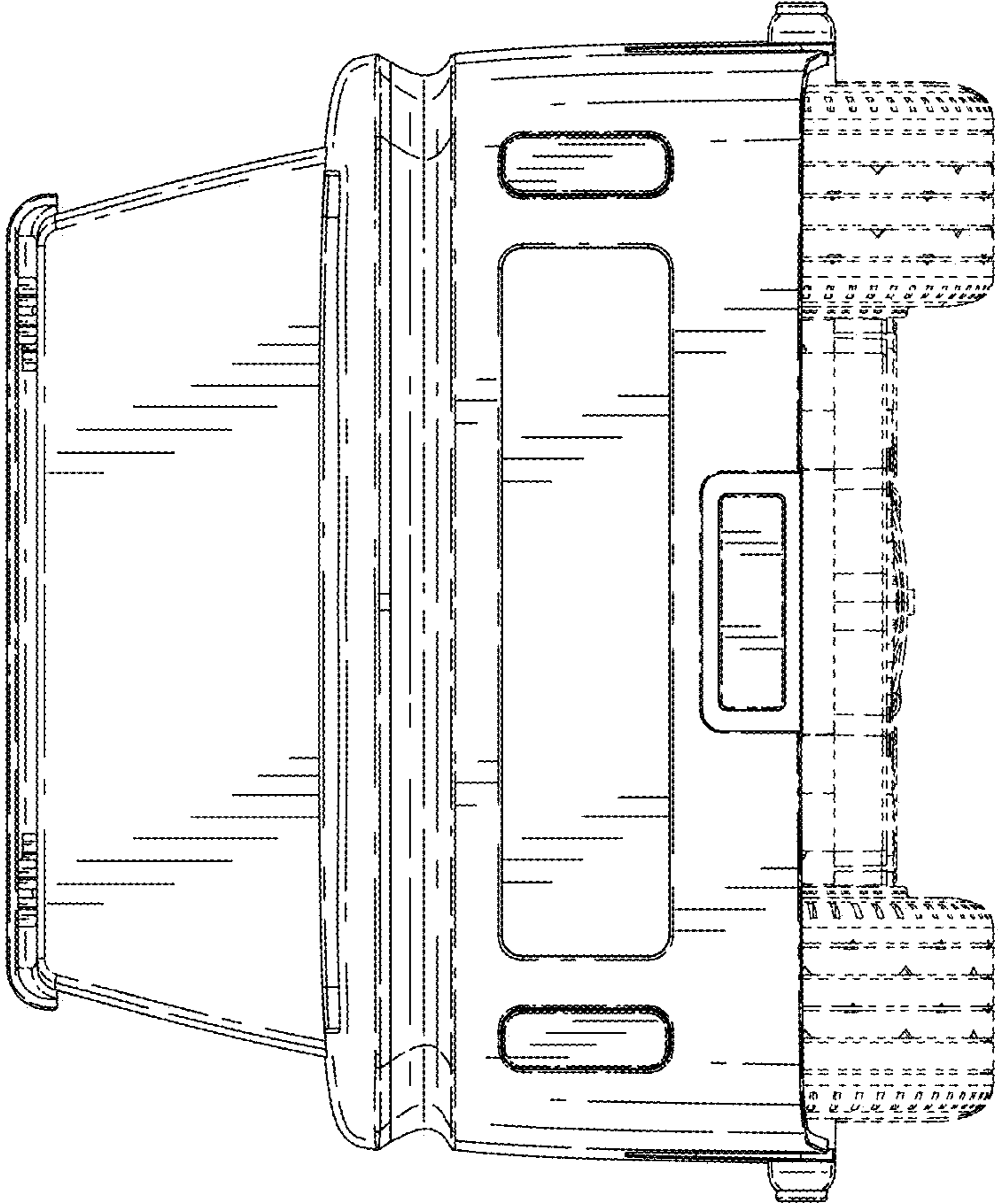


FIG. 4



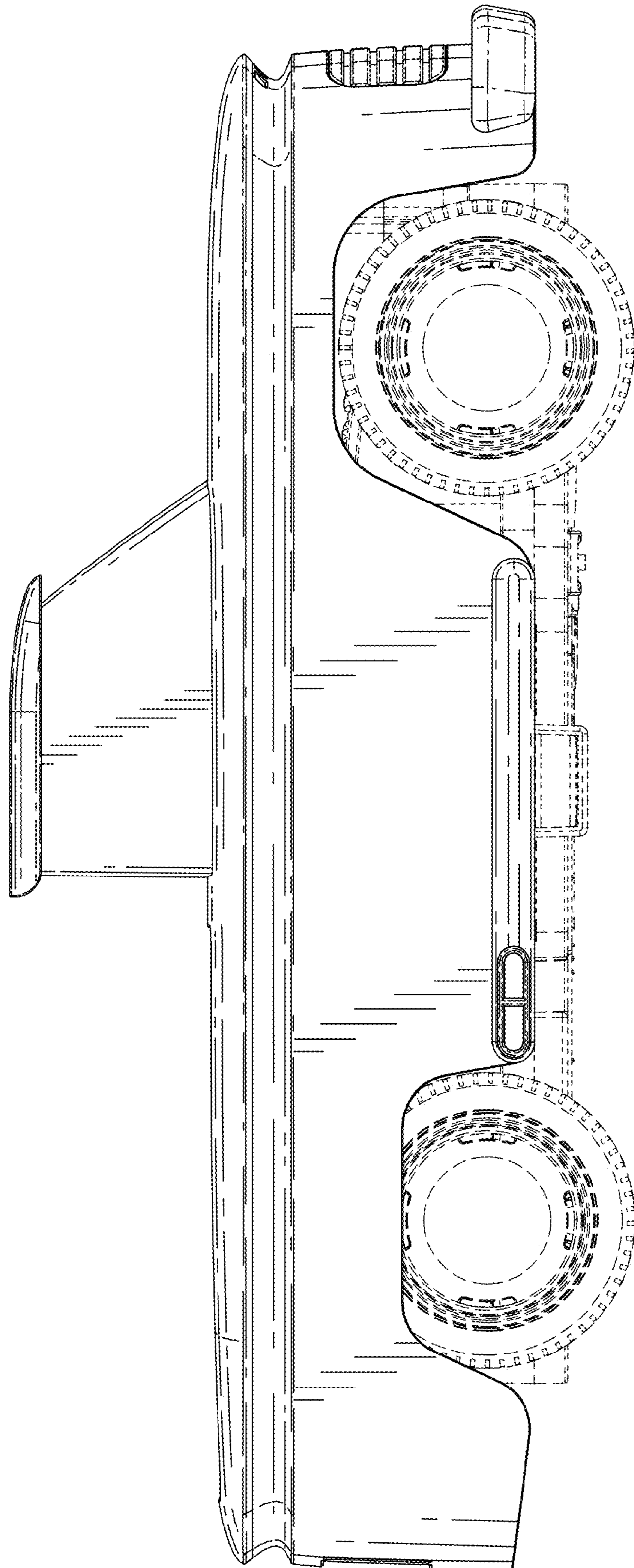


FIG. 5

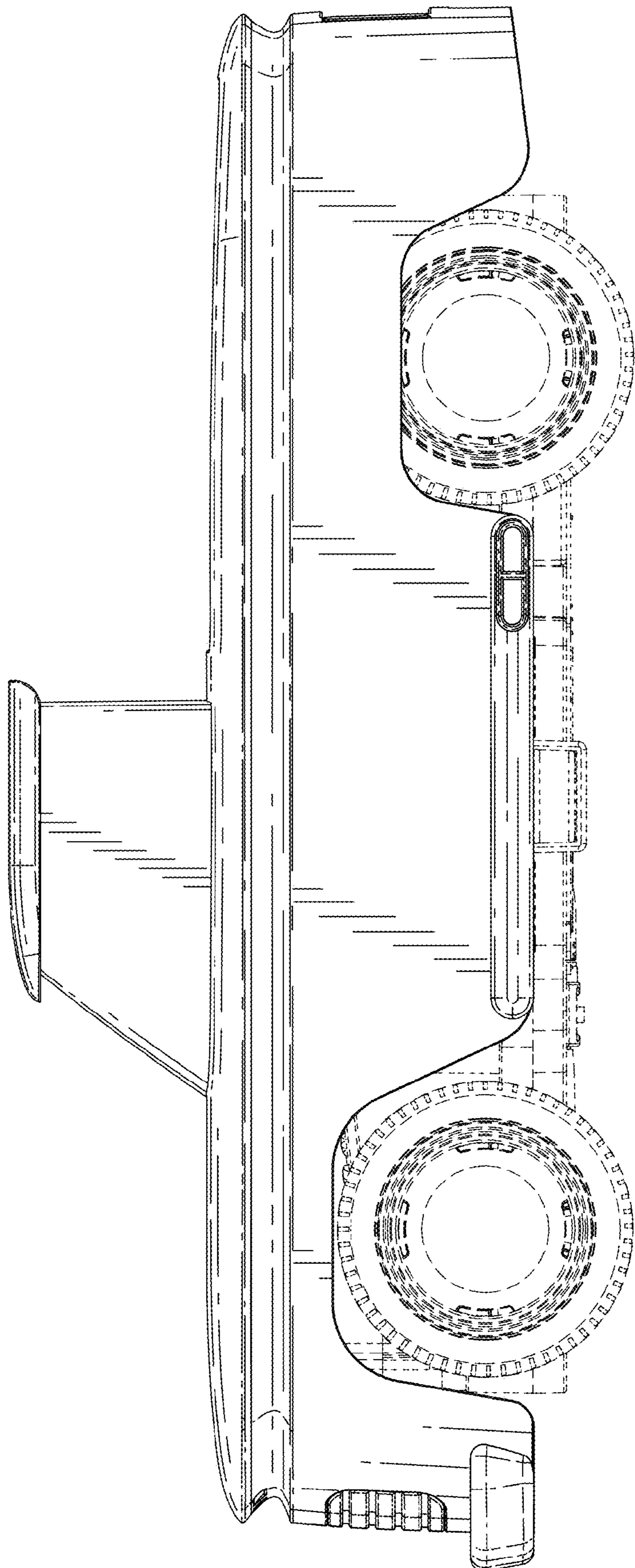


FIG. 6

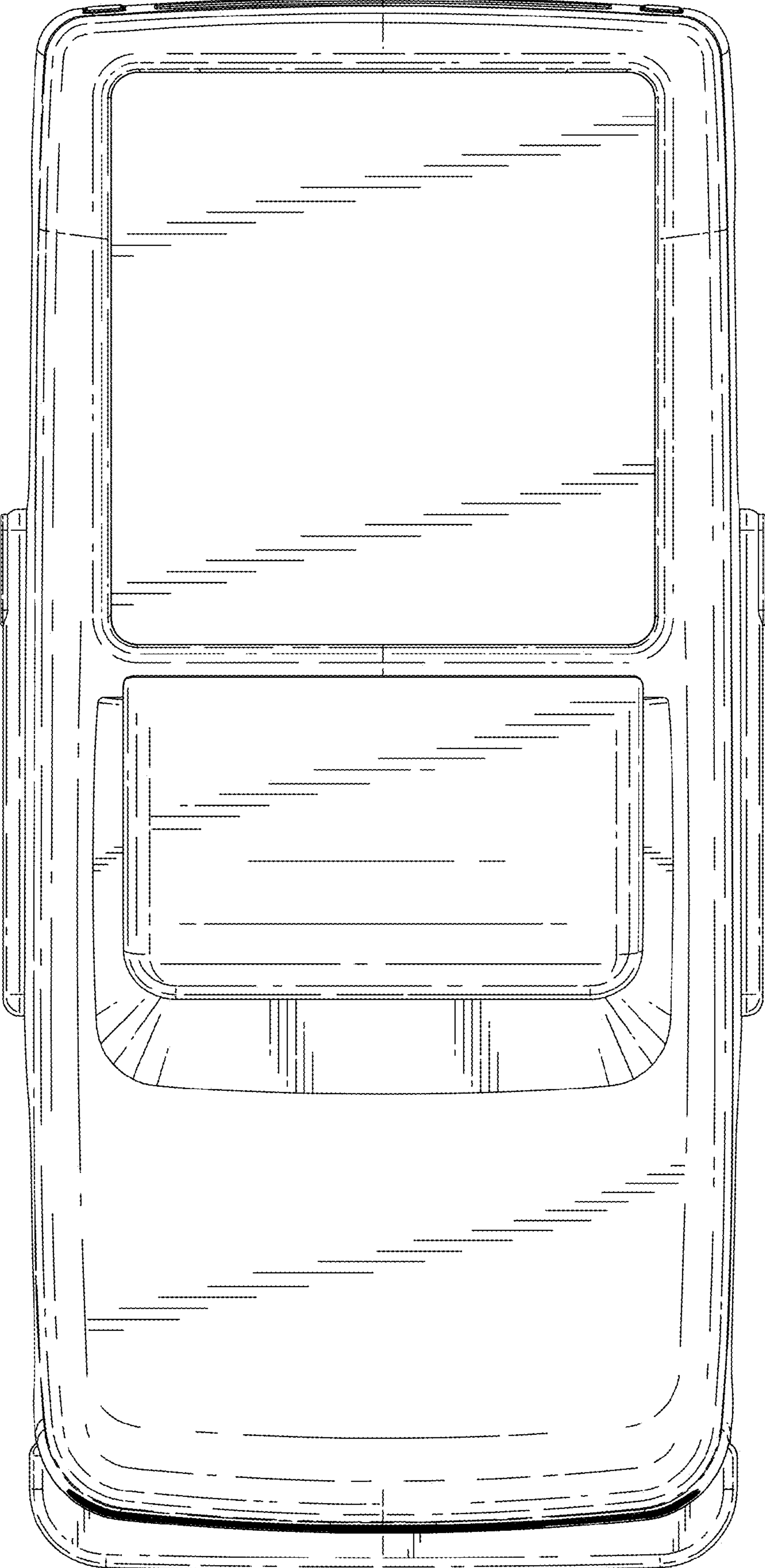


FIG. 7

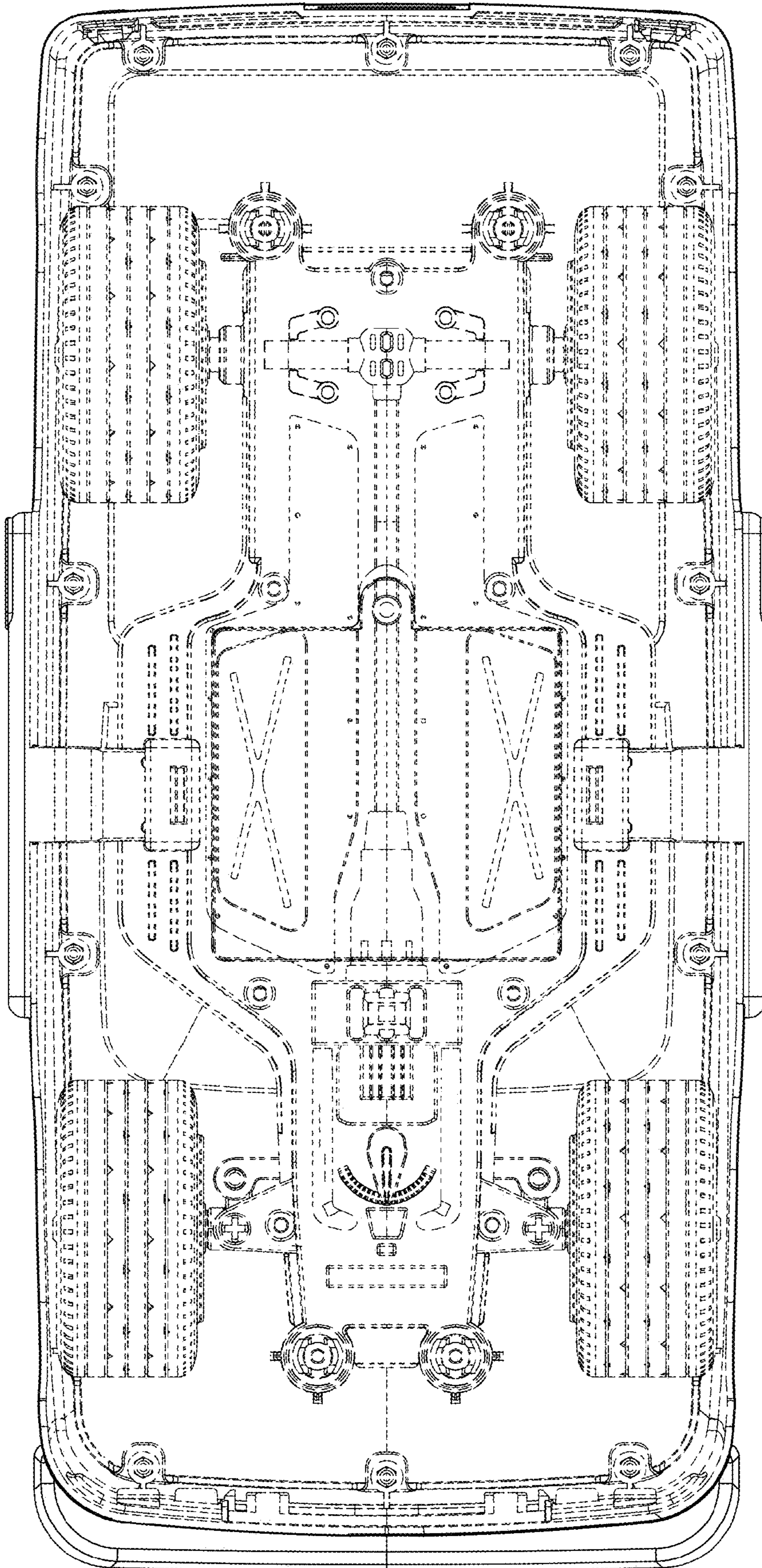


FIG. 8