



US00D941400S

(12) **United States Design Patent** (10) **Patent No.:** **US D941,400 S**  
**Xu** (45) **Date of Patent:** **\*\* Jan. 18, 2022**

(54) **TOY AMPHIBIOUS VEHICLE**

(71) Applicant: **Gengze Xu**, Shantou (CN)

(72) Inventor: **Gengze Xu**, Shantou (CN)

(\*\*) Term: **15 Years**

(21) Appl. No.: **29/783,405**

(22) Filed: **May 13, 2021**

(30) **Foreign Application Priority Data**

Apr. 13, 2021 (CN) ..... 202130208003.5

(51) **LOC (13) Cl.** ..... **21-01**

(52) **U.S. Cl.**  
USPC ..... **D21/533**

(58) **Field of Classification Search**  
USPC ..... D21/533, 548, 549, 550, 552, 557, 558,  
D21/559, 560, 561, 562  
CPC ..... A63H 17/00; A63H 17/004; A63H 17/26;  
A63H 17/262; A63H 17/36; A63H 30/00;  
A63H 30/04  
See application file for complete search history.

(56) **References Cited**

**U.S. PATENT DOCUMENTS**

D309,930 S *	8/1990	Asaeda .....	D21/548
D318,924 S *	8/1991	Yoshino .....	D21/550
D362,280 S *	9/1995	George .....	D21/550
5,727,985 A *	3/1998	George .....	A63H 17/004 446/437
D408,471 S *	4/1999	Smolarczyk .....	D21/550
6,926,581 B2 *	8/2005	Lynders .....	A63H 17/262 446/436
6,939,197 B1 *	9/2005	Hoeting .....	A63H 17/004 446/437
D527,772 S *	9/2006	Bowen .....	D21/533
D534,592 S *	1/2007	Hill	
D538,861 S *	3/2007	Takahashi .....	D21/550

7,234,992 B2 *	6/2007	Weiss .....	A63H 17/28 446/454
D577,082 S	9/2008	Hetman	
D590,894 S	4/2009	Martino	
D639,351 S *	6/2011	Newmayer .....	D21/533
D682,362 S *	5/2013	Mozeika .....	D21/533
D687,902 S *	8/2013	Hunt .....	D21/533
9,352,242 B2 *	5/2016	Rehkemper .....	A63H 17/26
D792,524 S *	7/2017	Lee .....	D21/533
9,931,580 B2 *	4/2018	Rehkemper .....	A63H 17/008
D825,684 S *	8/2018	Gan .....	D21/550
D842,388 S *	3/2019	Wang .....	D21/552
10,688,404 B2 *	6/2020	Cao .....	A63H 17/004
2004/0092206 A1 *	5/2004	Lynders .....	A63H 30/04 446/427

(Continued)

**OTHER PUBLICATIONS**

Pussan Car Toys for 5-12 Year Old Boys Amphibious Remote Control Car for Kids on Amazon.com, Release date Mar. 1, 2019 [online], [site visited Feb. 18, 2021]. Available from Internet: <URL:https://www.amazon.com/dp/B07QQWJGZY/> (Year: 2019).\*

(Continued)

*Primary Examiner* — Cynthia M. Chin

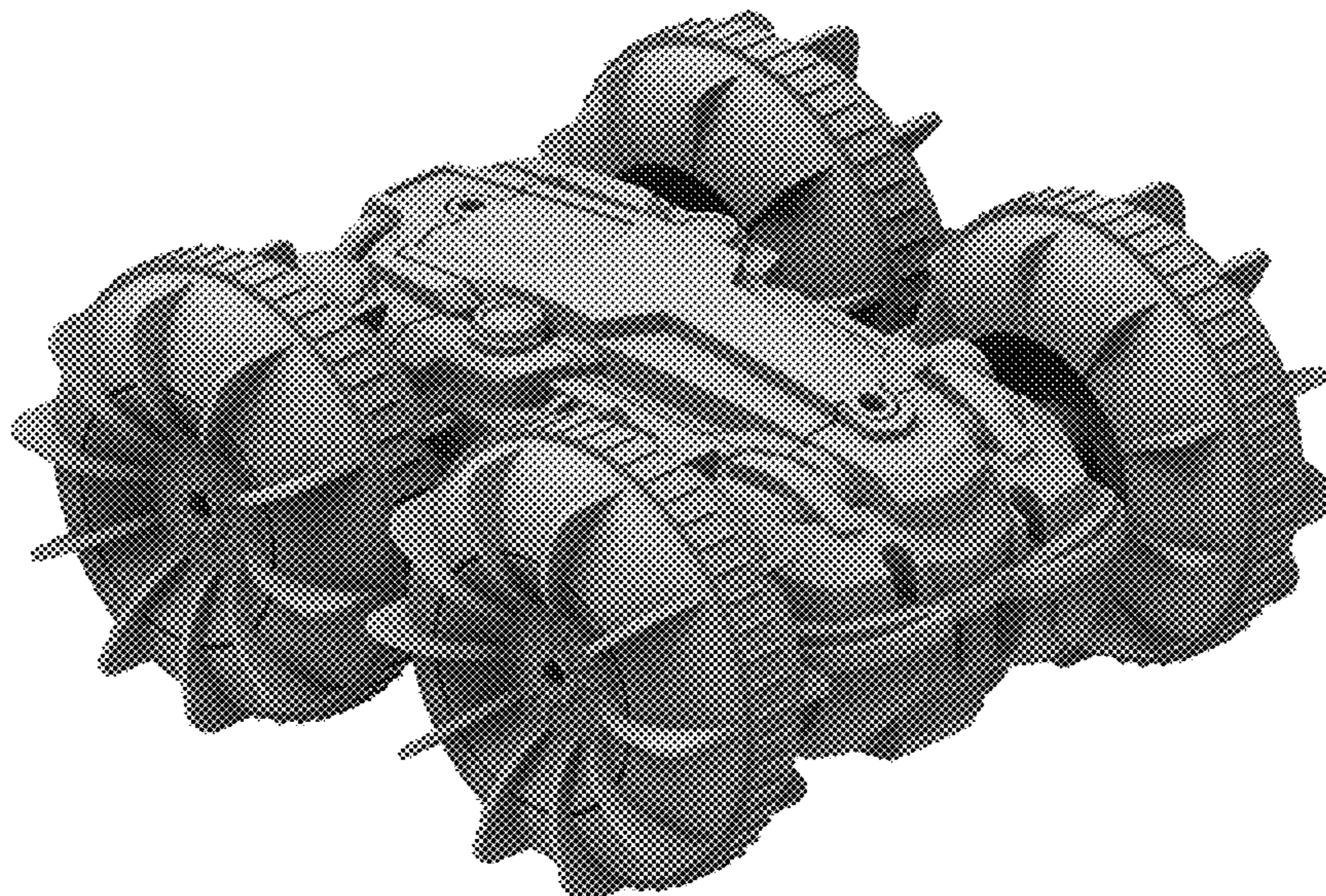
(57) **CLAIM**

The ornamental design for a toy amphibious vehicle, as shown and described.

**DESCRIPTION**

FIG. 1 is a first perspective view of a toy amphibious vehicle showing my new design;  
FIG. 2 is a second perspective view thereof;  
FIG. 3 is a front view thereof;  
FIG. 4 is a back view thereof;  
FIG. 5 is a left side view thereof;  
FIG. 6 is a right side view thereof;  
FIG. 7 is a top view thereof; and,  
FIG. 8 is a bottom view thereof.

**1 Claim, 8 Drawing Sheets**



(56)

**References Cited**

U.S. PATENT DOCUMENTS

2005/0148282 A1\* 7/2005 Moll ..... A63H 29/22  
446/456  
2014/0065926 A1\* 3/2014 Rehkemper ..... A63H 17/004  
446/454  
2014/0221111 A1\* 8/2014 Picolet ..... A63H 18/028  
472/89  
2018/0229135 A1\* 8/2018 Cao ..... A63H 30/04

OTHER PUBLICATIONS

Seckton Toys for 5-10 Year Old Boys Amphibious RC Car on Amazon.com, Reviewed and online as early as Jun. 27, 2020 [online], [site visited Feb. 18, 2021]. Available from Internet: <URL:https://www.amazon.com/dp/B08Q7CZ1H8/> (Year: 2020).\*

Legaomay RC Car Amphibious Remote Control Car for Kids on Amazon.com, Release date Aug. 10, 2020 [online], [site visited Feb. 18, 2021]. Available from Internet: <URL:https://www.amazon.com/dp/B08CRLQT99/> (Year: 2020).\*

\* cited by examiner

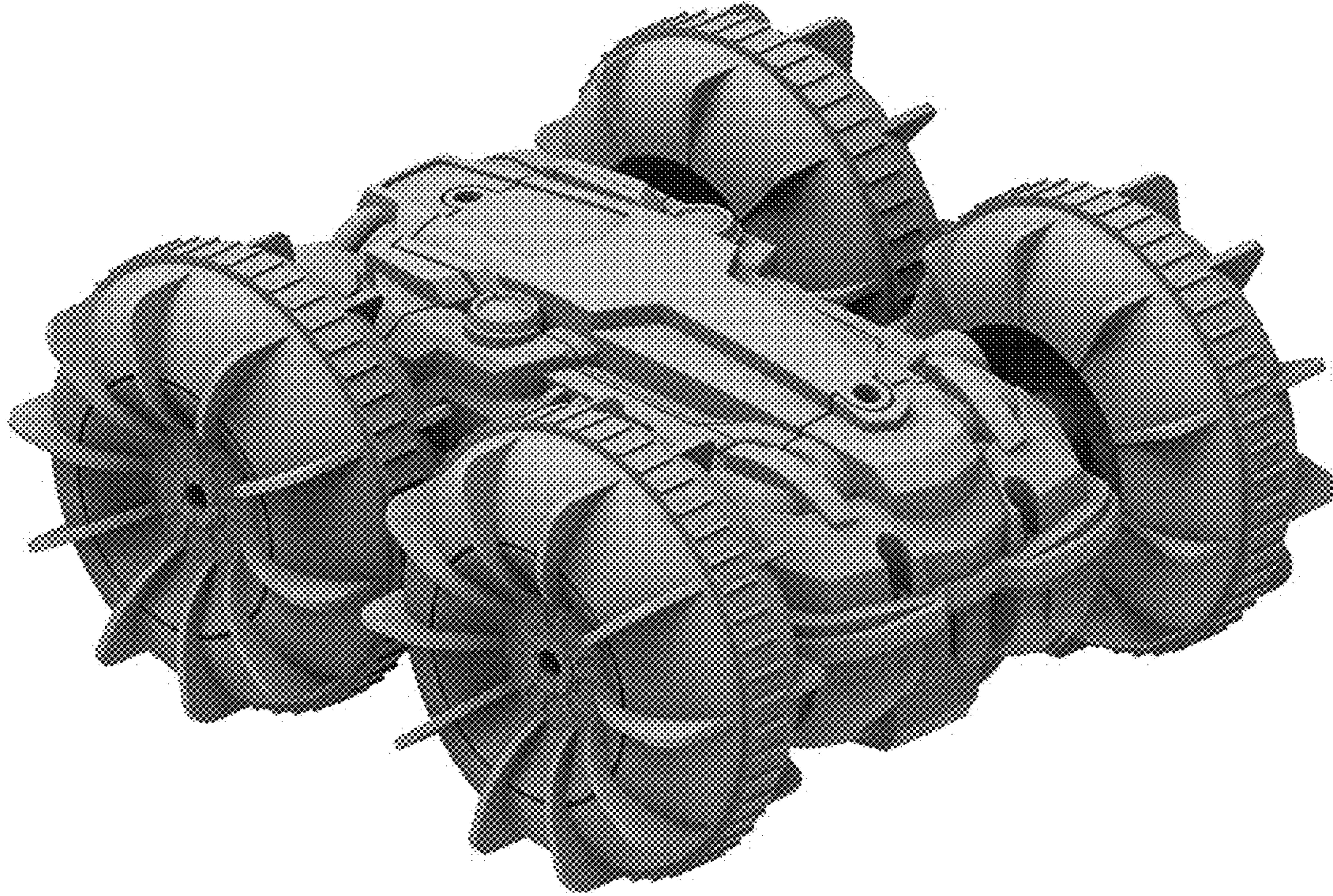


FIG. 1

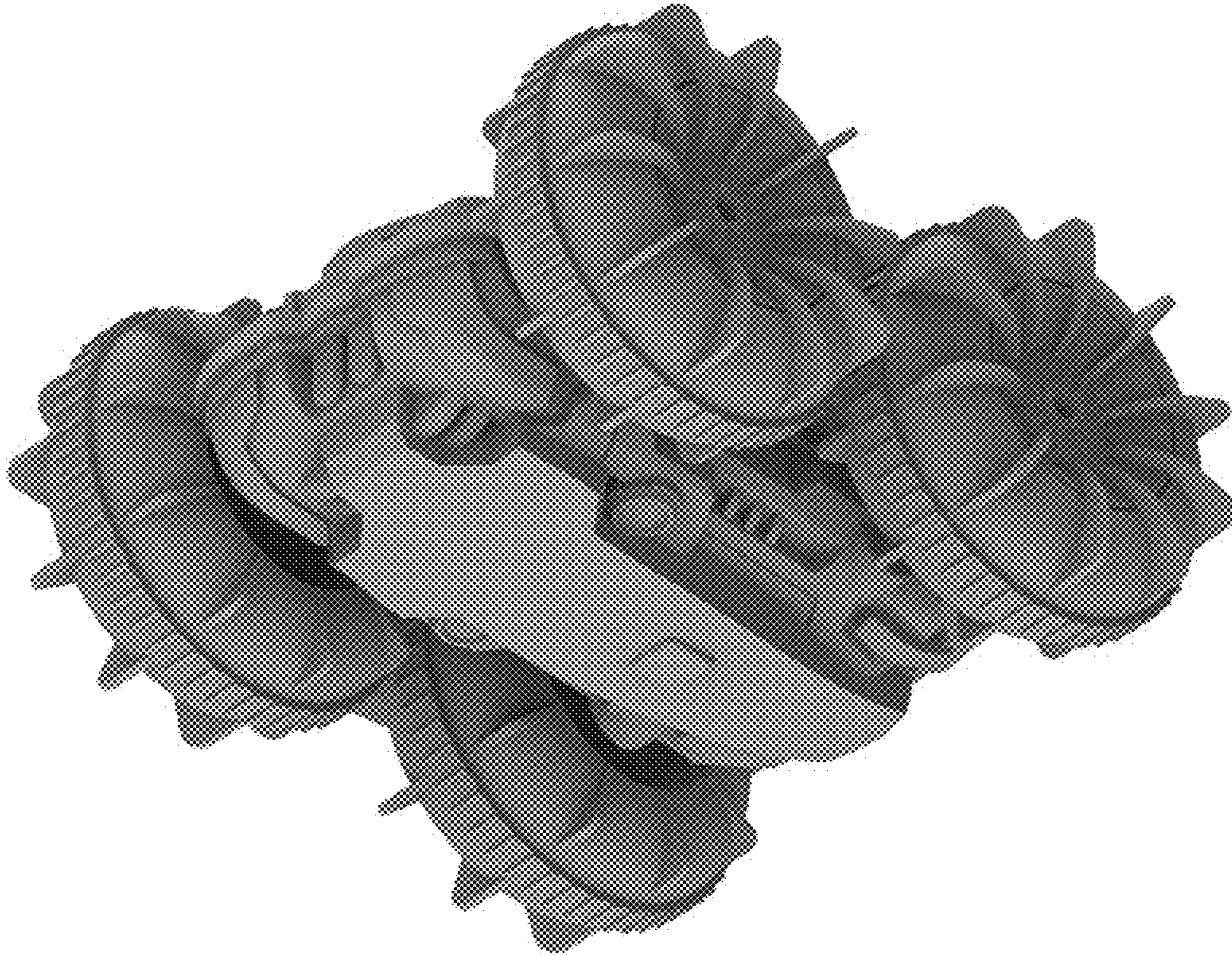


FIG. 2

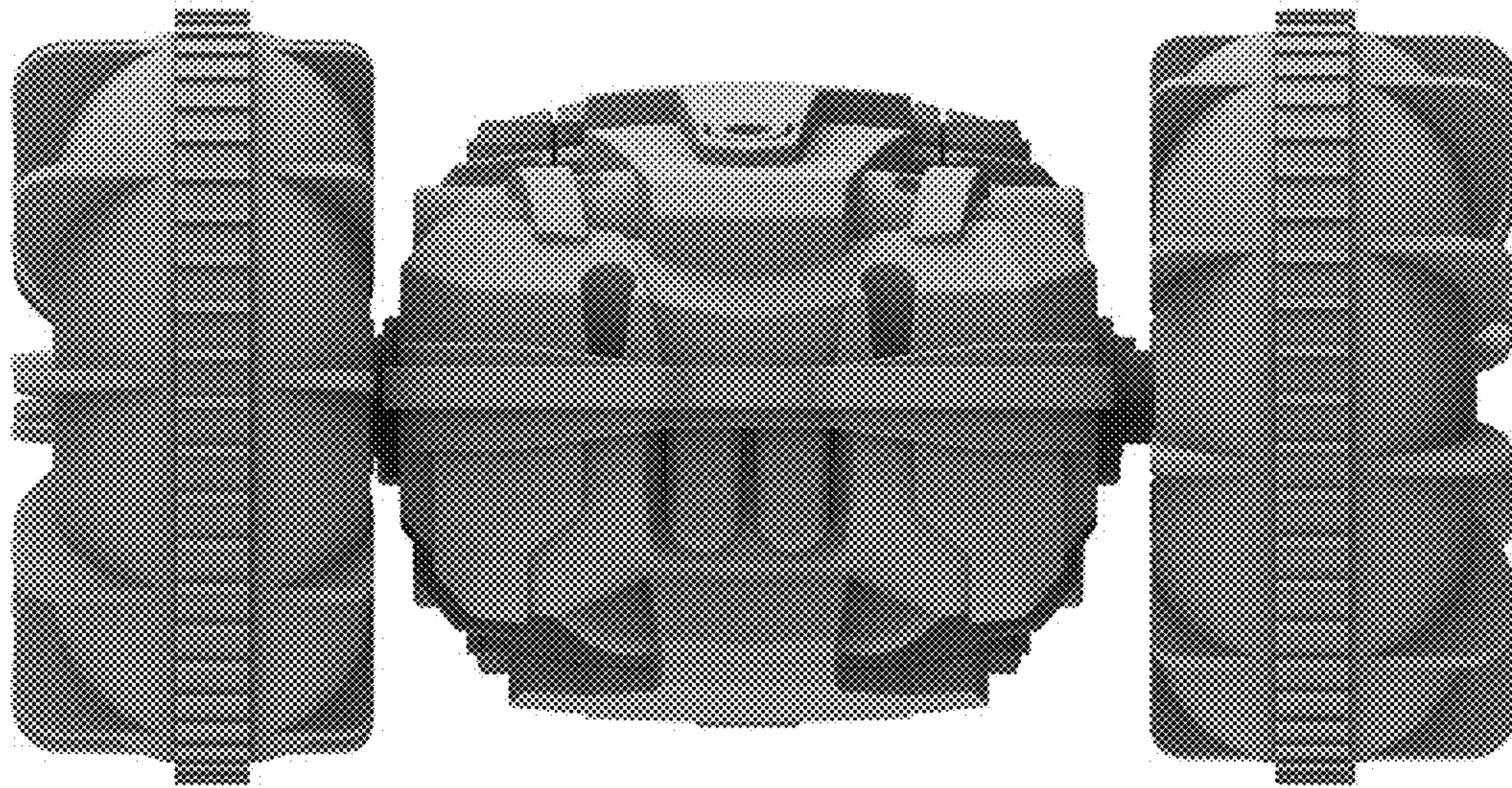


FIG. 3

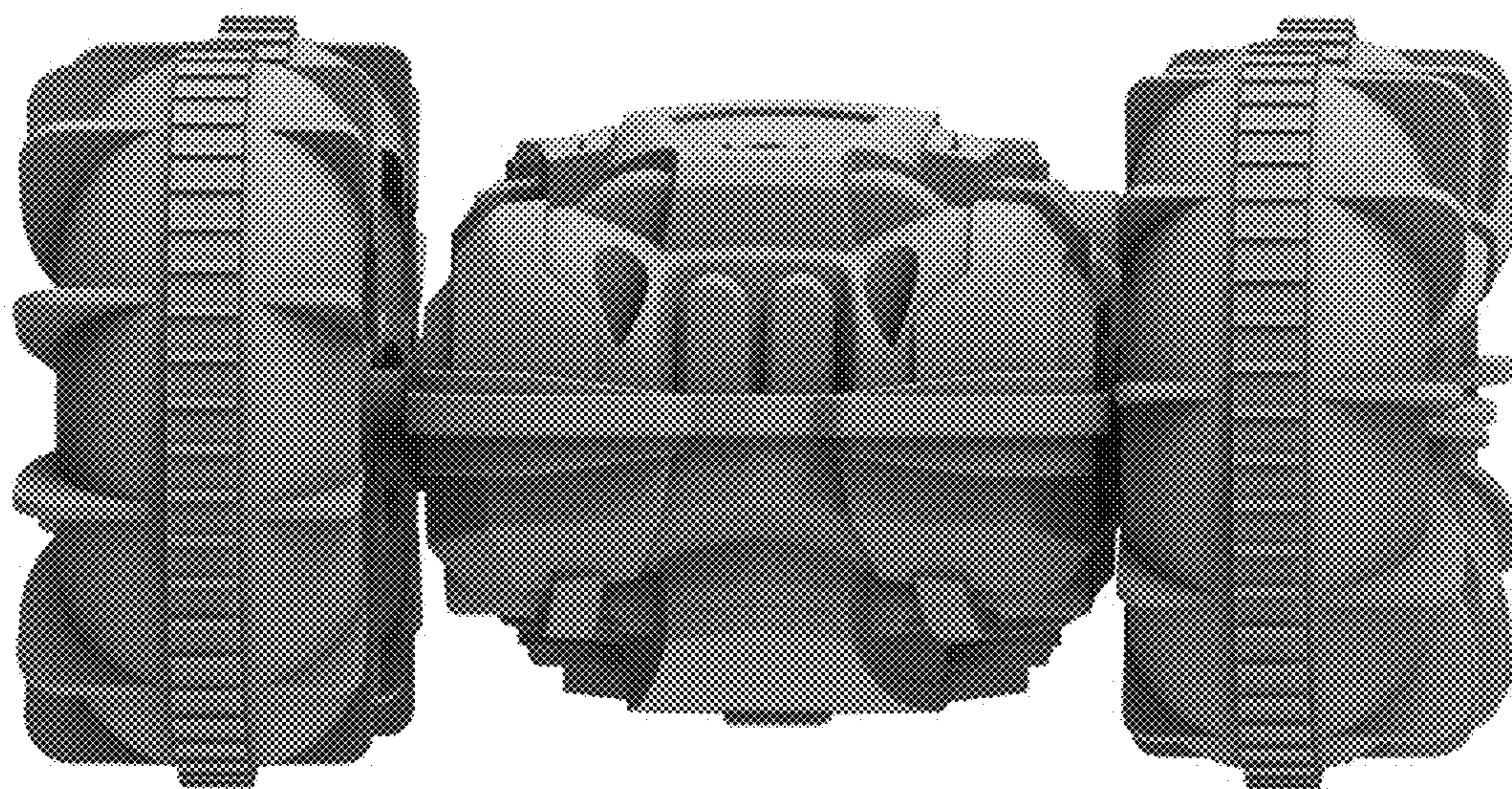


FIG. 4

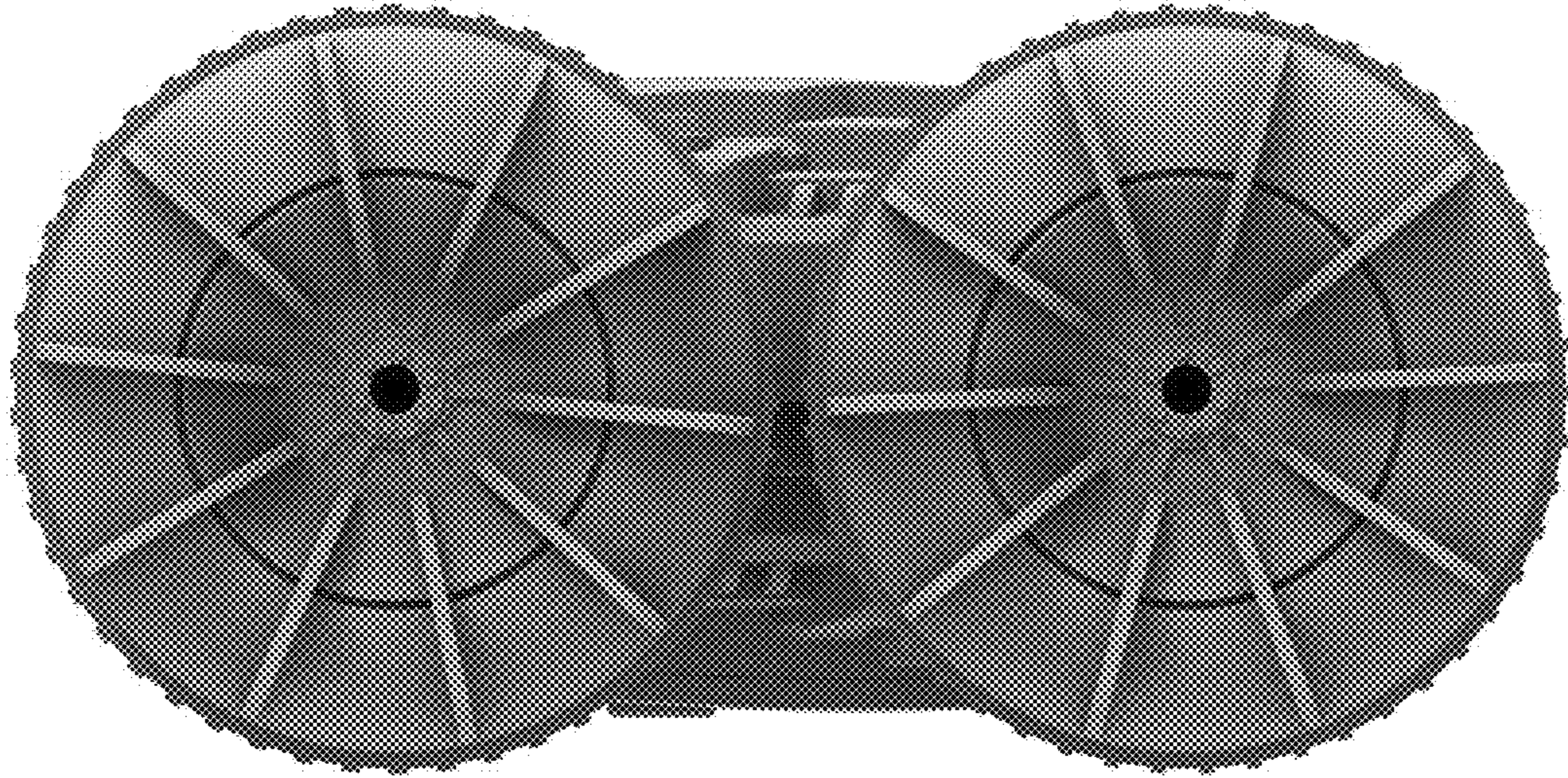


FIG. 5

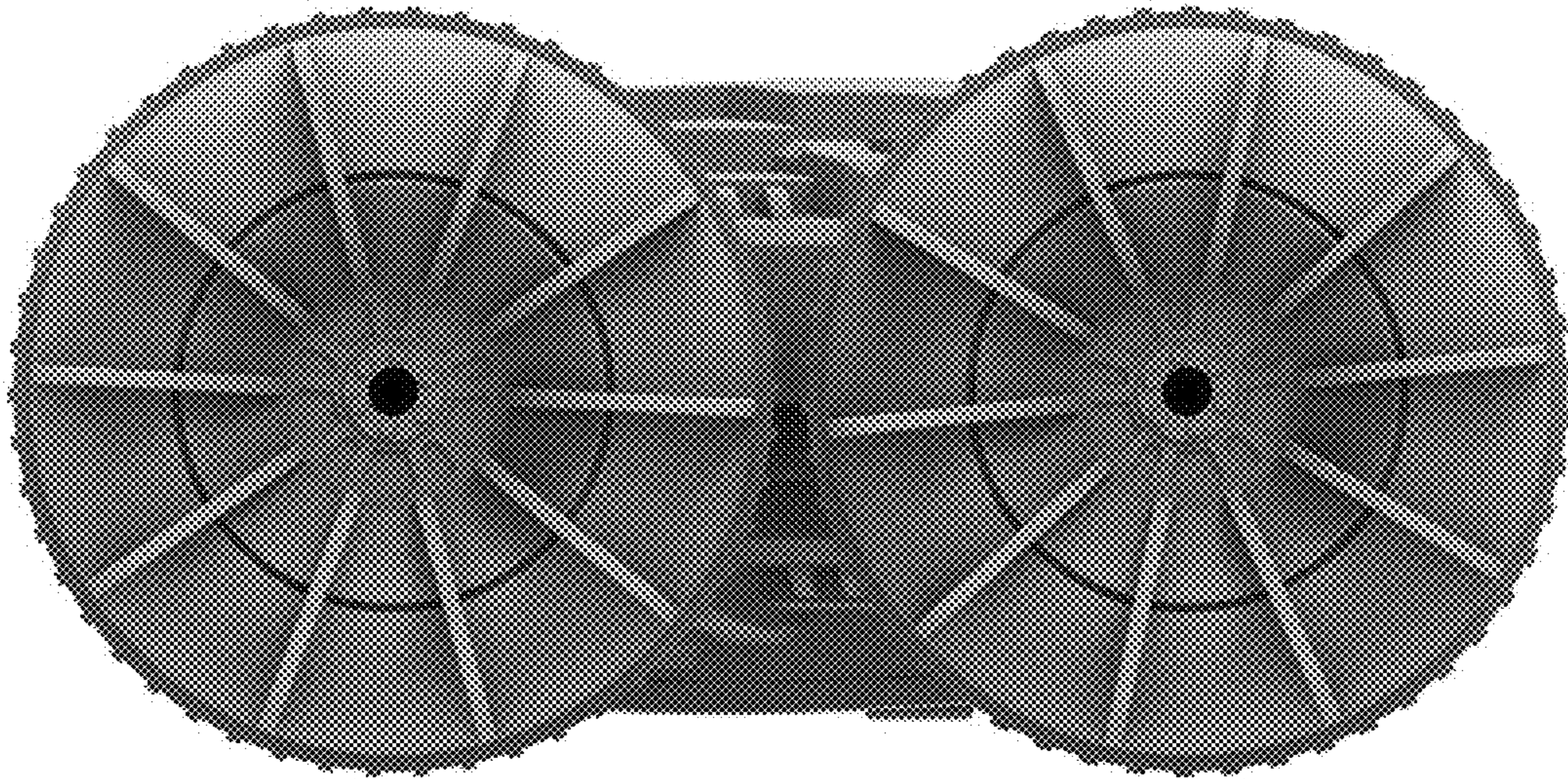


FIG. 6



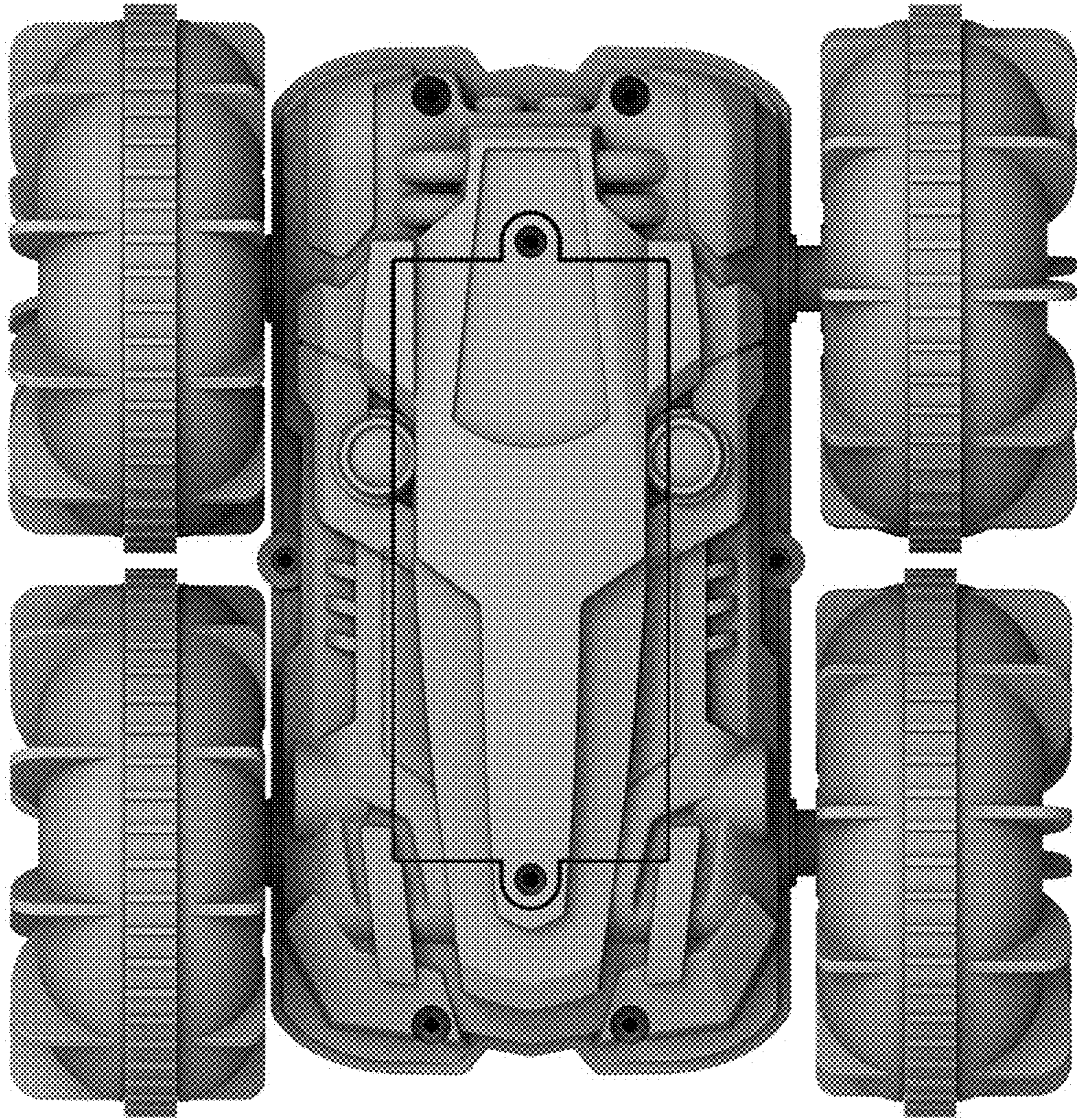


FIG. 7

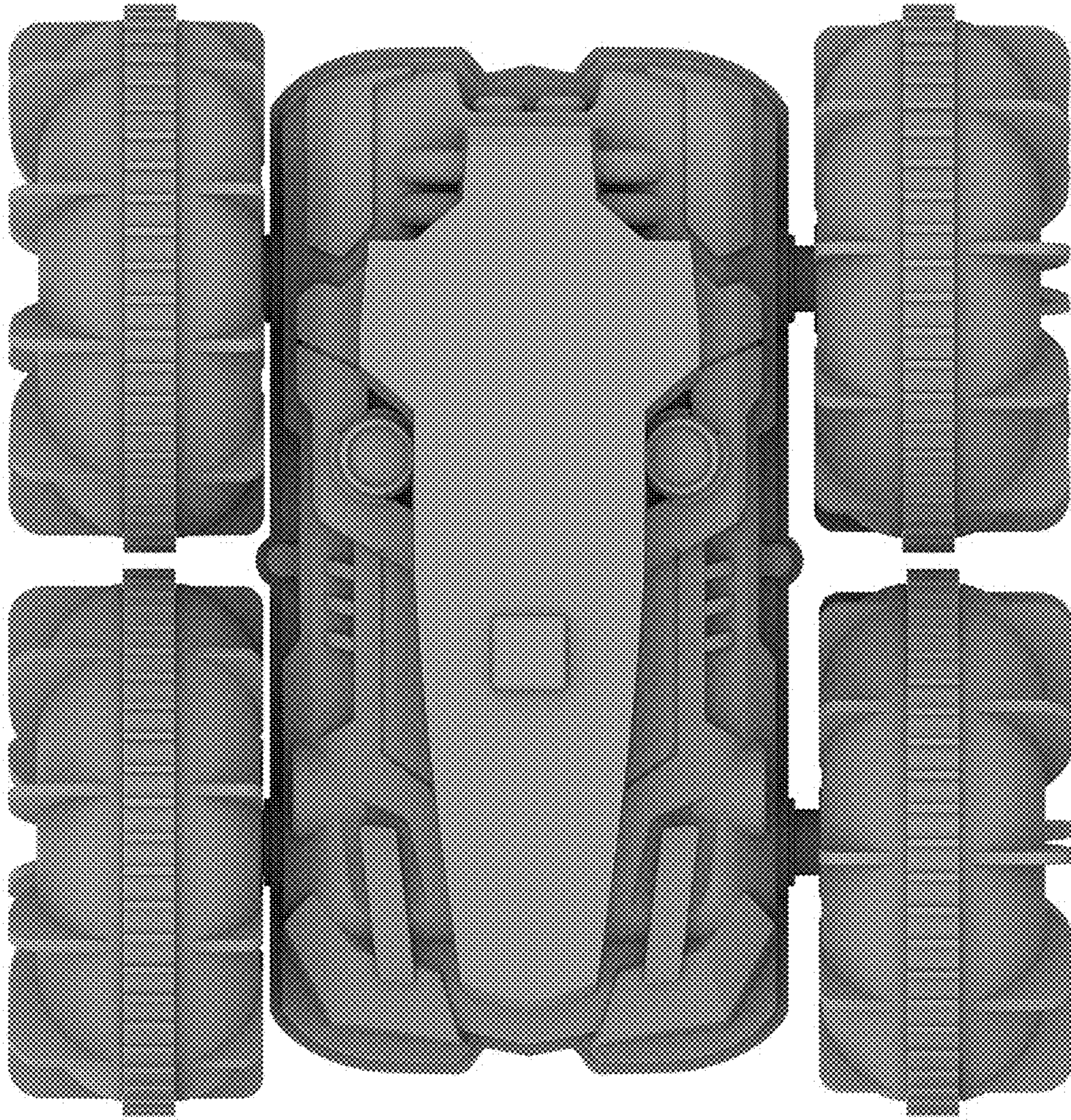


FIG. 8