



US00D941393S

(12) **United States Design Patent** (10) **Patent No.:** **US D941,393 S**
Franco (45) **Date of Patent:** **** Jan. 18, 2022**

(54) **ERASER**

FOREIGN PATENT DOCUMENTS

(71) Applicant: **COMSERO, INC.**, Thornton, CO (US)

EM 008631899-0001 * 8/2021

(72) Inventor: **Anthony Franco**, Thornton, CO (US)

OTHER PUBLICATIONS

(73) Assignee: **COMSERO, INC.**, Thornton, CO (US)

Custom Dry Erase Marker Holder (for normal Expo markers), \$25.00, GhostWorksShop, online on etsy.com, earliest review by Zachary on Jul. 3, 2019.*

(**) Term: **15 Years**

Primary Examiner — Elizabeth A. Albert

(21) Appl. No.: **29/768,326**

(74) *Attorney, Agent, or Firm* — Dorsey & Whitney LLP

(22) Filed: **Jan. 28, 2021**

(51) **LOC (13) Cl.** **19-06**

(52) **U.S. Cl.**
USPC **D19/189**

(57) **CLAIM**

(58) **Field of Classification Search**

USPC D19/187, 188, 189; D32/40
CPC ... B43L 19/0062; B43L 19/0068; B43L 21/00
See application file for complete search history.

I claim the ornamental design for an eraser, as shown and described.

DESCRIPTION

(56) **References Cited**

U.S. PATENT DOCUMENTS

1,377,097	A *	5/1921	Seaton	B43K 23/001
					24/11 CT
1,727,189	A *	9/1929	Asche	B43K 23/001
					24/3.5
2,303,759	A *	12/1942	Pippin	B43L 21/00
					15/244.4
2,648,863	A *	8/1953	Darling	B43L 21/00
					15/231
2,739,334	A *	3/1956	Hardey	A47L 13/29
					15/231
3,262,145	A *	7/1966	Carlson	B43L 21/00
					15/244.1
3,444,579	A *	5/1969	Thomford	B43L 21/00
					15/118
D218,679	S *	9/1970	Current et al.	D3/20
3,696,920	A *	10/1972	Lahay	A61B 50/30
					206/370
3,704,072	A *	11/1972	Kaufman	A46D 1/00
					401/291

This application is related to U.S. application Ser. No. 17/161,078, entitled "Writing Implement Holding Eraser" filed on Jan. 28, 2021, of which is incorporated by reference herein in its entirety.

FIG. 1 is a front isometric view of an eraser showing my new design.

FIG. 2 is a front isometric view of the eraser of FIG. 1.

FIG. 3 is a rear isometric view of the eraser of FIG. 2.

FIG. 4 a front elevation view of the eraser of FIG. 2.

FIG. 5 a rear elevation view of the eraser of FIG. 2.

FIG. 6 is a top plan view of the eraser of FIG. 2.

FIG. 7 is a bottom plan view of the eraser of FIG. 2.

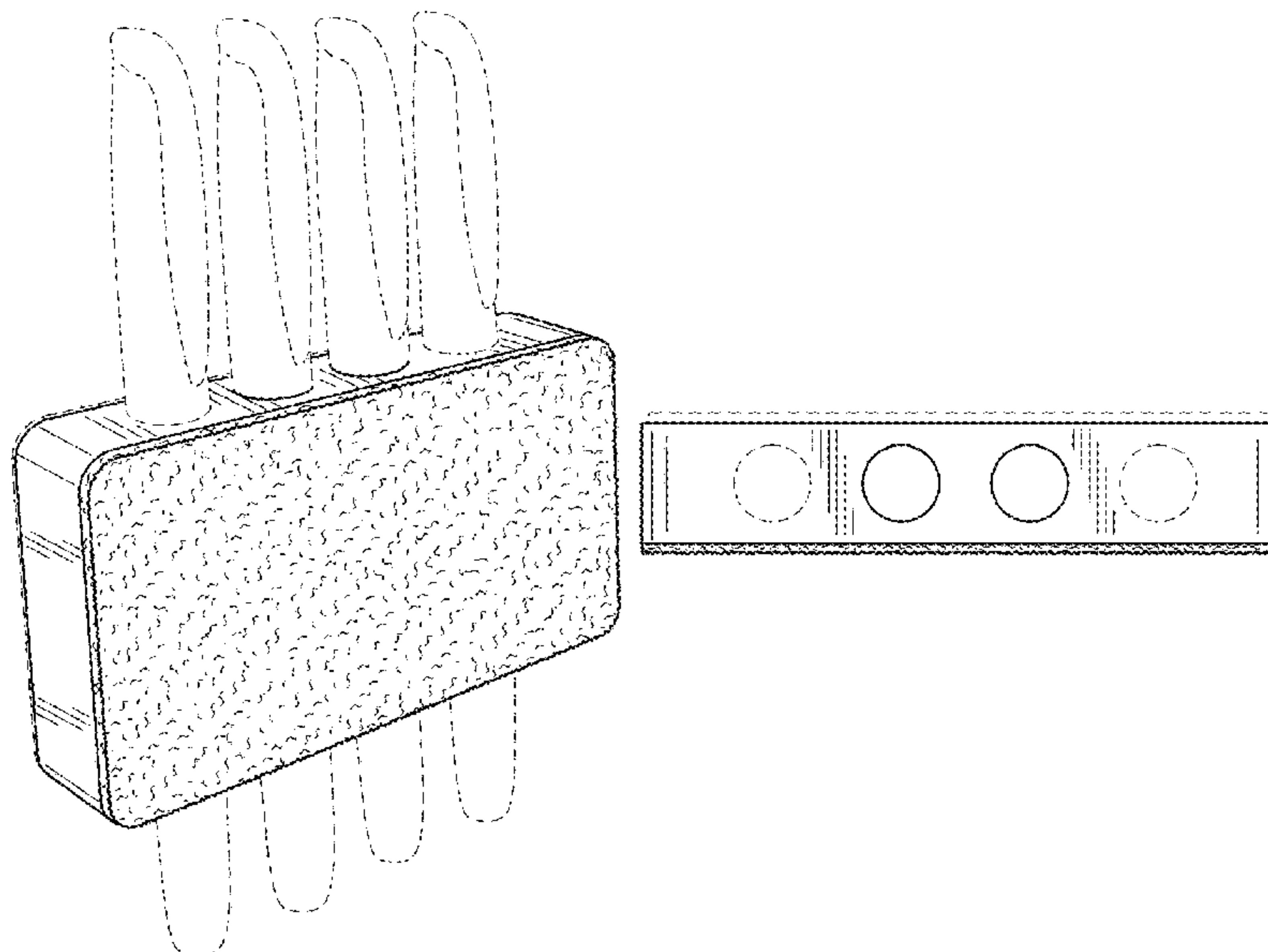
FIG. 8 is a left side elevation view of the eraser of FIG. 2; and,

FIG. 9 is a right side elevation view of the eraser of FIG. 2.

The dashed lines in FIG. 1 illustrate a plurality of writing instruments for environment and form no part of the claimed design. The dashed lines in FIGS. 2-9 illustrate portions of the eraser that form no part of the claimed design.

(Continued)

1 Claim, 5 Drawing Sheets



(56)

References Cited

U.S. PATENT DOCUMENTS

3,748,684 A * 7/1973 Fraser B43L 21/00
15/244.1
4,098,430 A * 7/1978 Mattheis B65D 43/162
220/283
4,399,170 A * 8/1983 Janssen B05C 17/10
156/71
D438,816 S * 3/2001 Madden, IV D11/156
D478,351 S 8/2003 Belton et al.
6,948,874 B2 9/2005 Roberson
D551,713 S 9/2007 Schmidt
D552,682 S 10/2007 Rolion et al.
7,740,133 B2 6/2010 Lamas
D641,044 S 7/2011 Rubio et al.
D648,794 S 11/2011 Yuan
D658,094 S * 4/2012 Dunn D11/184
D669,937 S 10/2012 Lira-nunez et al.
D685,962 S * 7/2013 Timm D32/40
D709,261 S * 7/2014 Guyaux D32/40
8,864,400 B1 * 10/2014 Schumaier A63B 57/0032
401/195
9,409,437 B2 8/2016 Green et al.
D776,758 S 1/2017 Green et al.
9,969,208 B1 5/2018 Hall et al.
D837,681 S * 1/2019 Hendifar D11/147
D869,805 S * 12/2019 Catania D32/40
D872,178 S 1/2020 Zhu
D876,542 S * 2/2020 Van Den Broecke D19/187
10,850,555 B2 * 12/2020 Rogers B43L 19/0018
10,974,541 B2 * 4/2021 Rogers B43L 19/0056
2006/0000043 A1 * 1/2006 Jou-Chen A47L 13/51
15/231
2007/0044263 A1 * 3/2007 Deng B43L 21/00
15/244.3
2020/0023671 A1 * 1/2020 Boettcher B43L 21/00

* cited by examiner

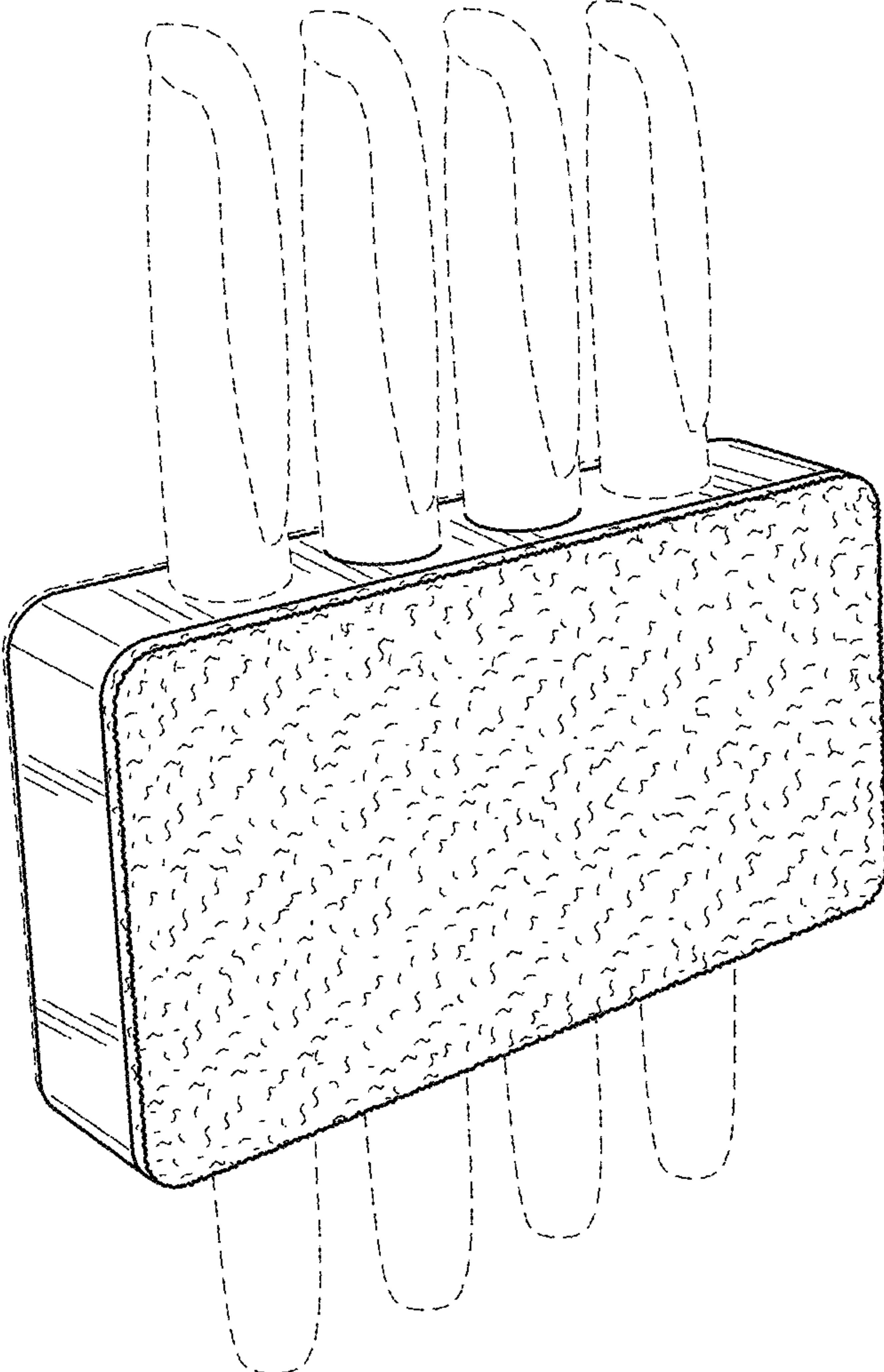


FIG. 1

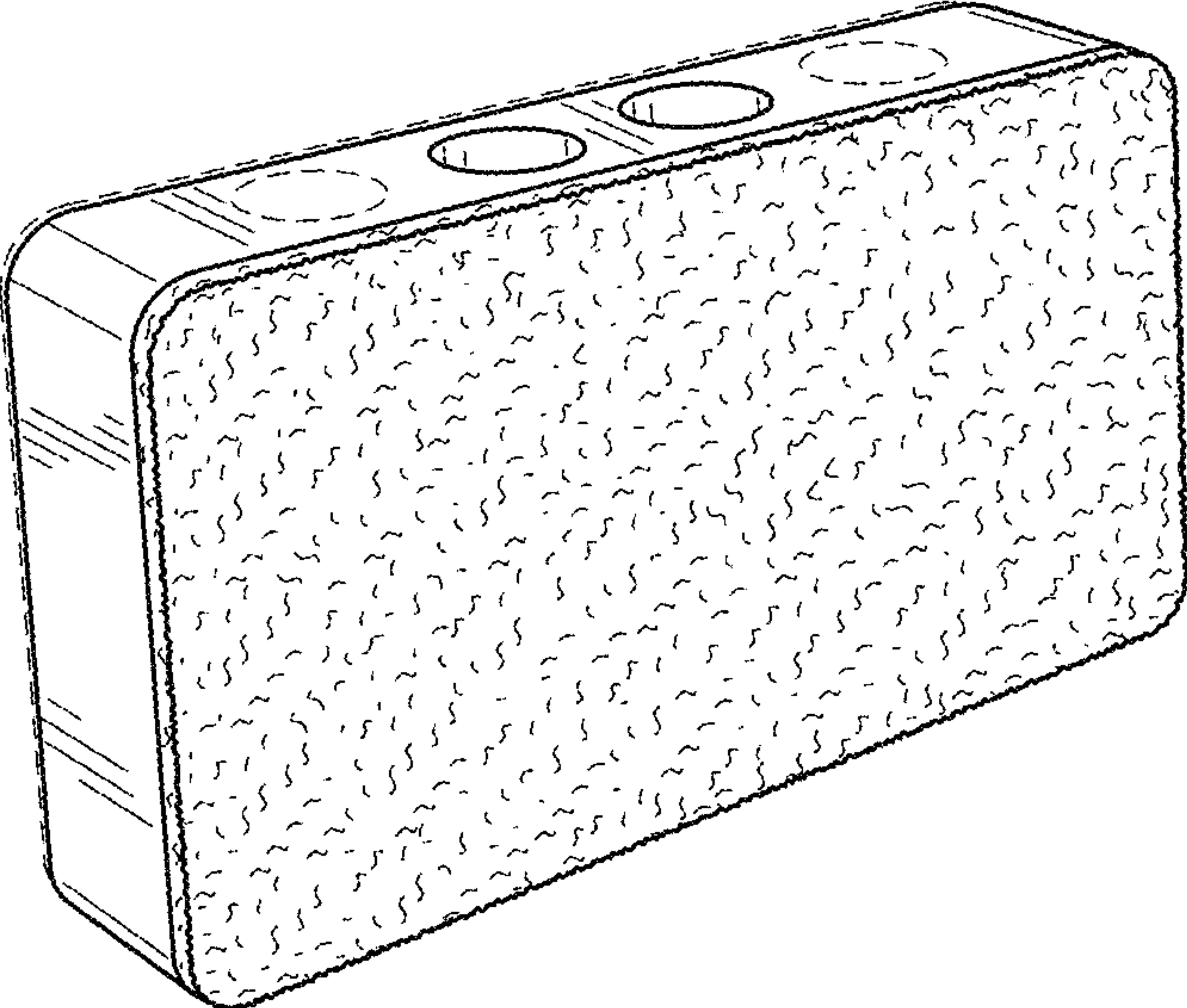


FIG. 2

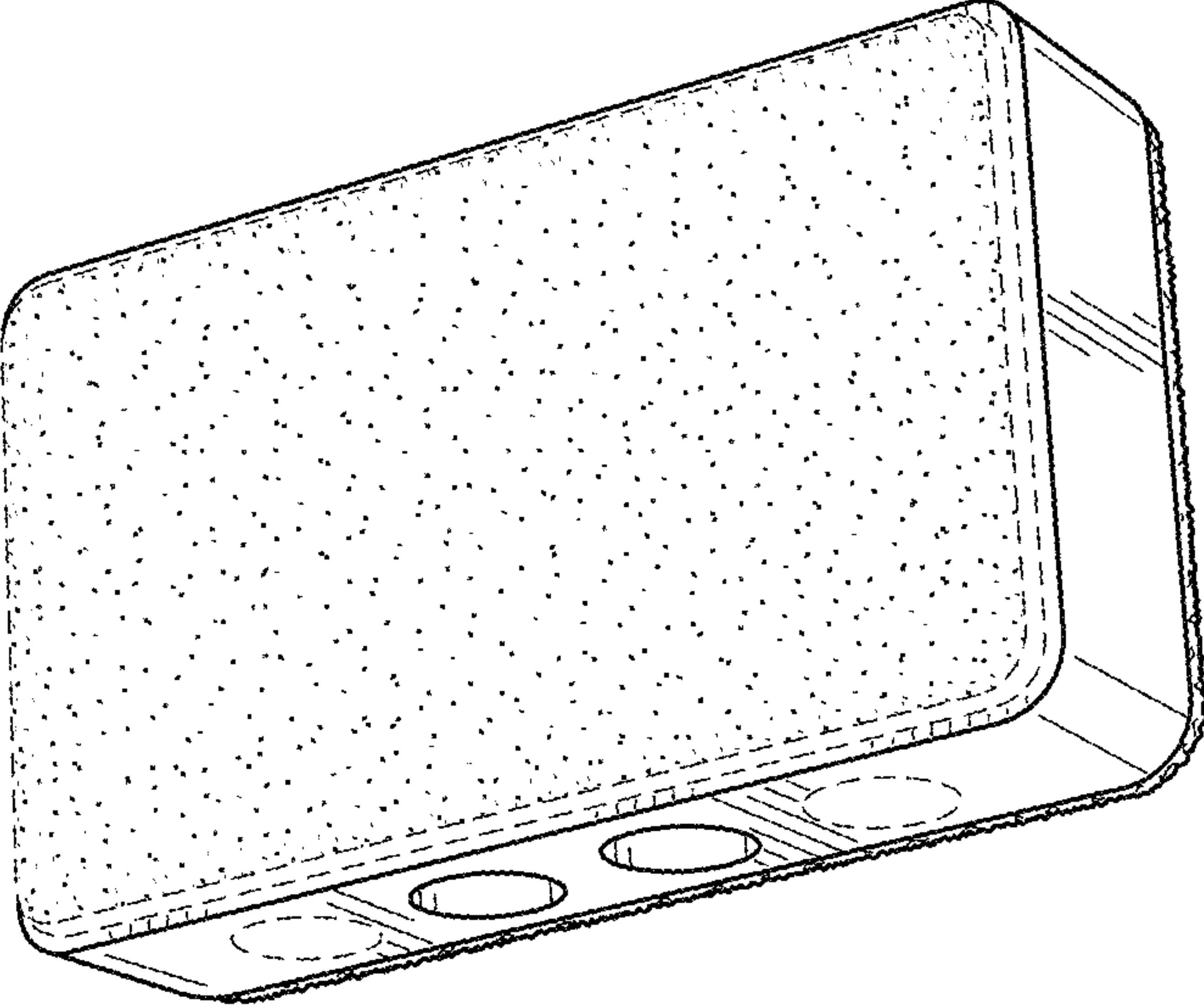


FIG. 3

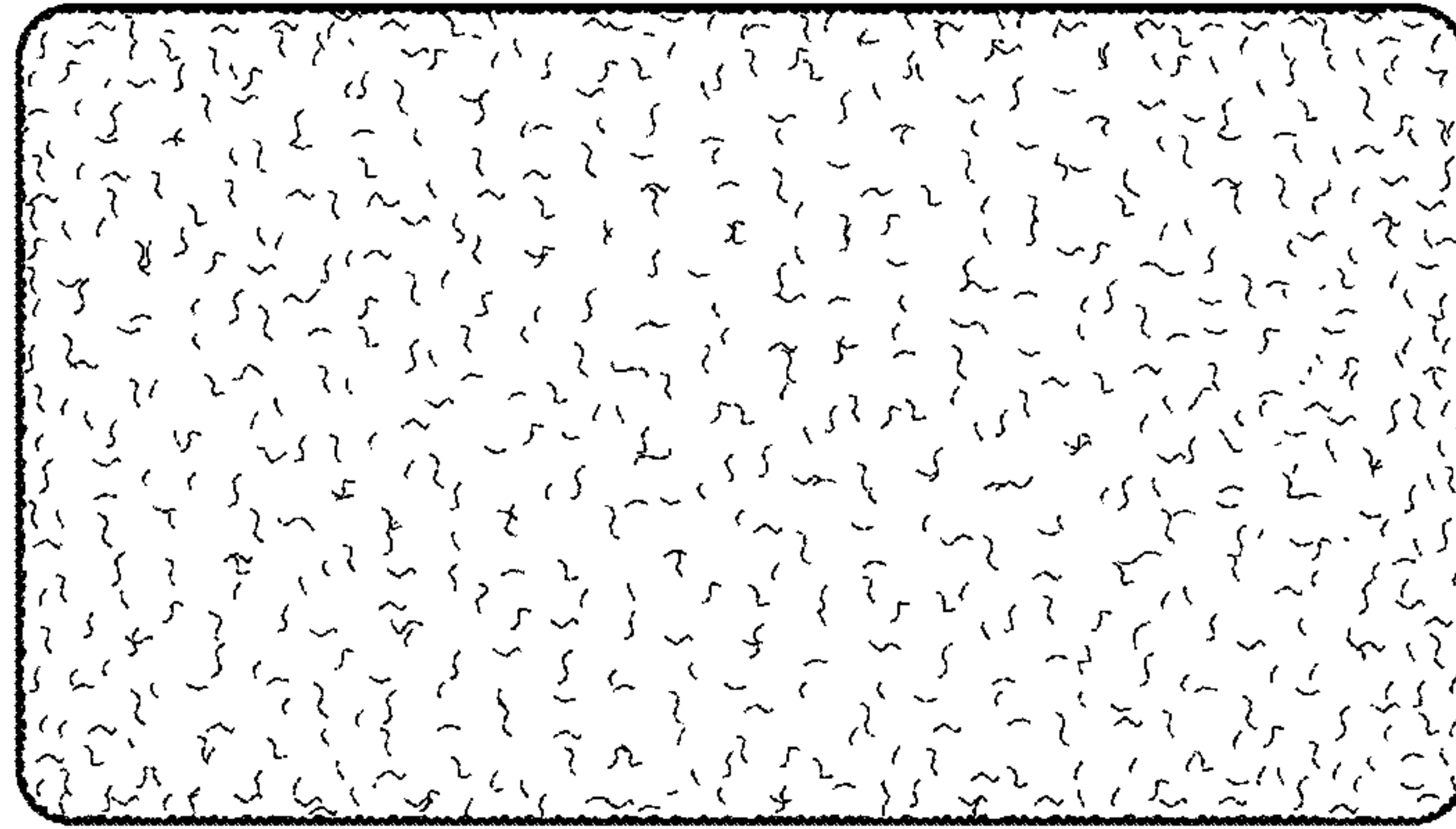


FIG. 4

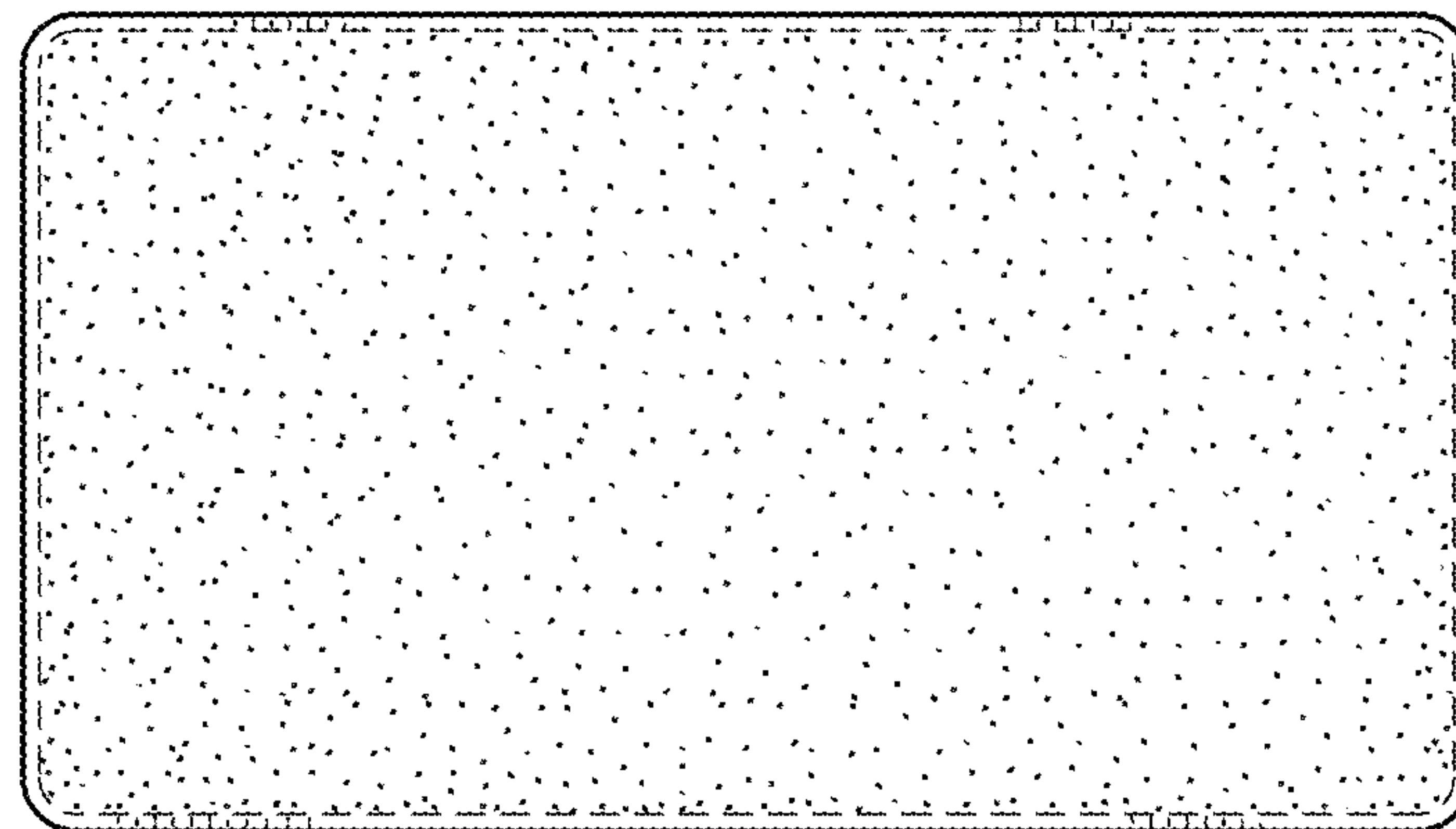


FIG. 5

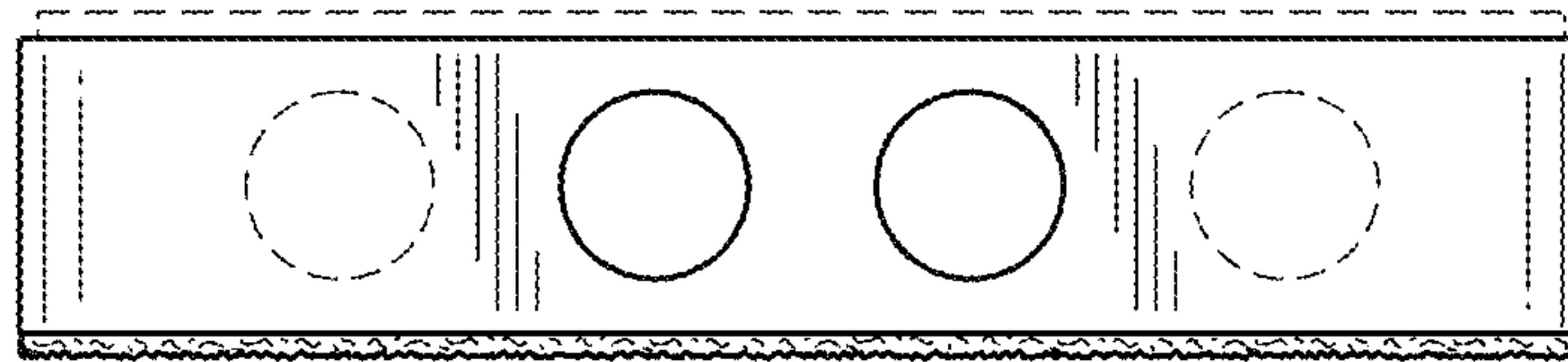


FIG. 6

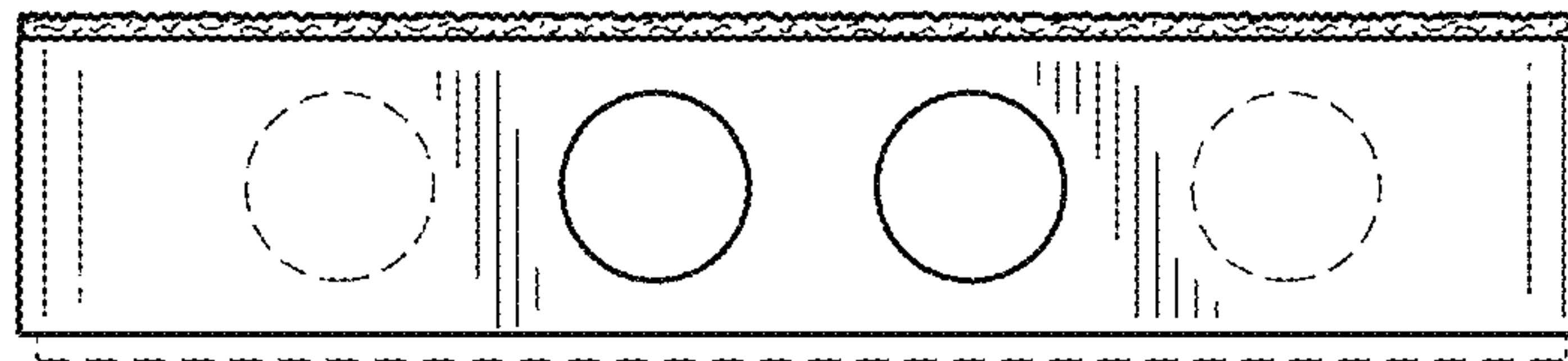


FIG. 7

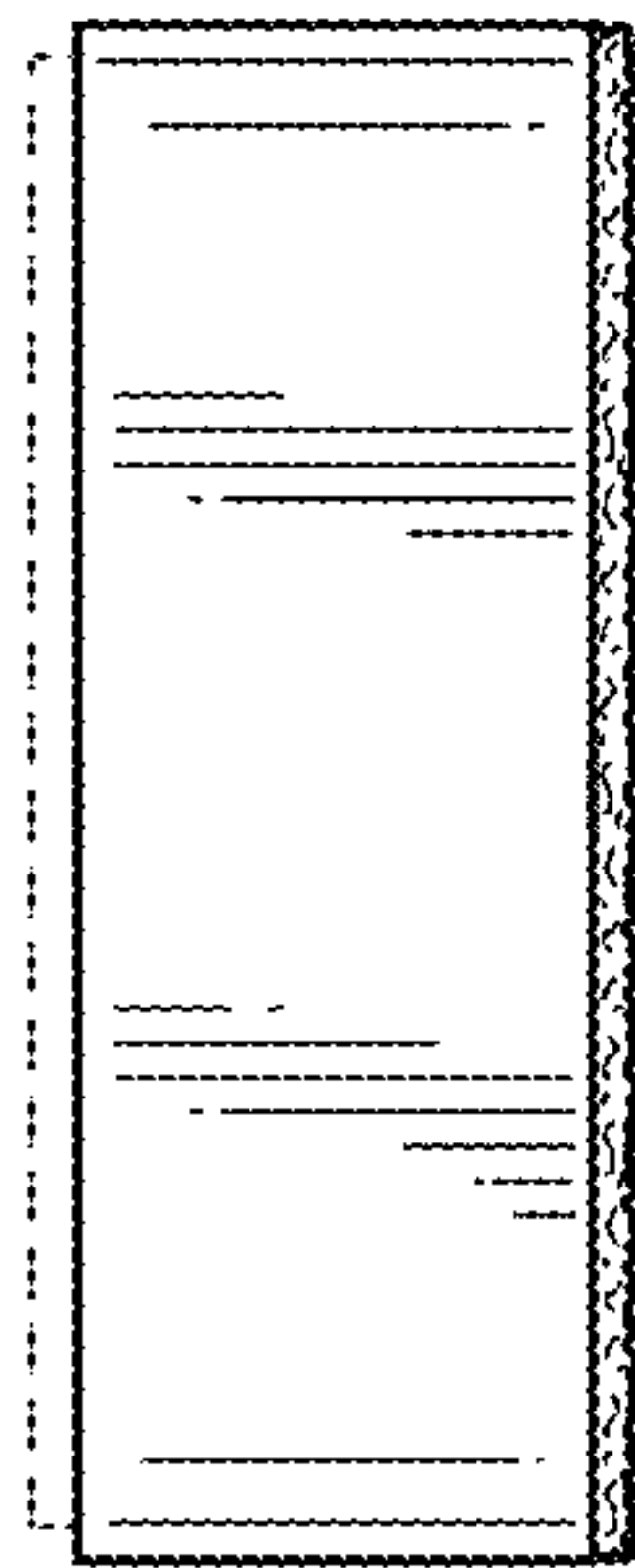


FIG. 8

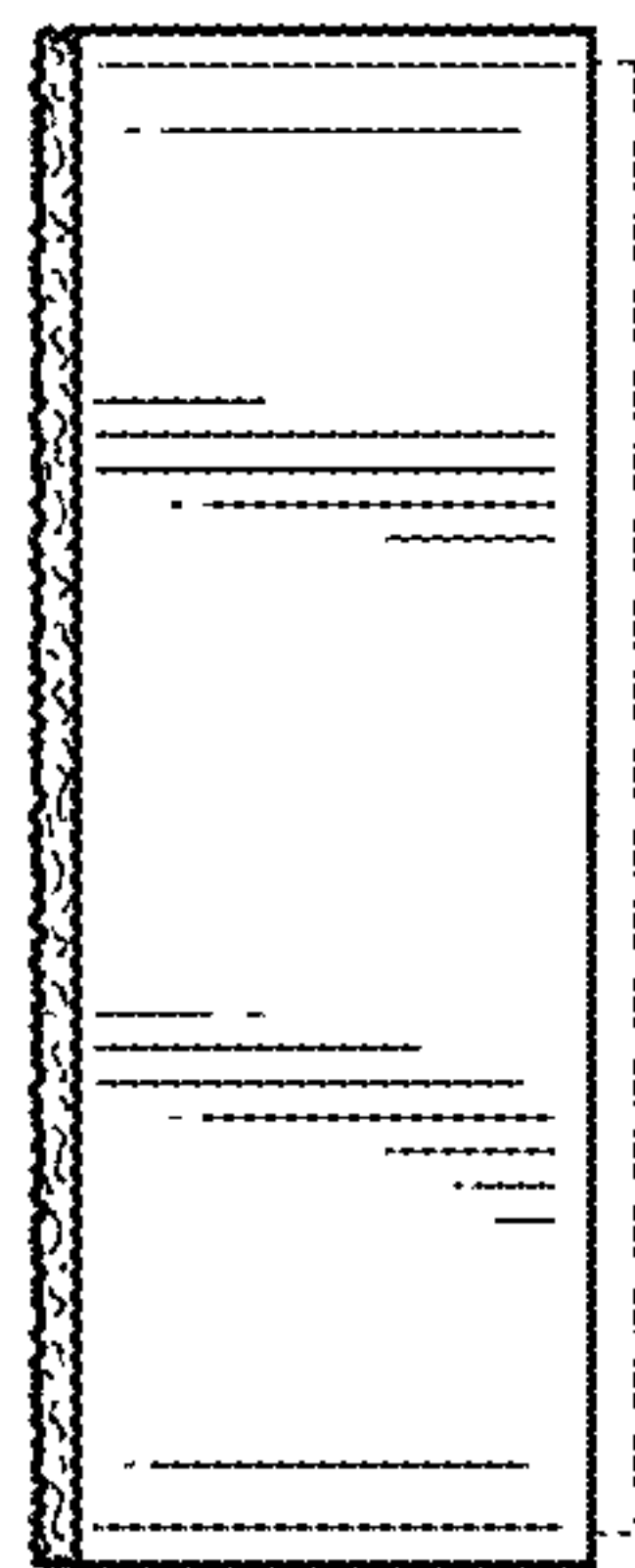


FIG. 9