



US00D941385S

(12) **United States Design Patent**  
**Chen et al.**

(10) **Patent No.:** **US D941,385 S**  
(45) **Date of Patent:** **\*\* Jan. 18, 2022**

(54) **PROJECTOR EQUIPPED WITH A LAMP**

(71) Applicants: **Yu-Hsin Chen**, Taipei (TW); **Hsing-Yi Kao**, Taipei (TW); **Ming-Chung Liu**, Taipei (TW)

(72) Inventors: **Yu-Hsin Chen**, Taipei (TW); **Hsing-Yi Kao**, Taipei (TW); **Ming-Chung Liu**, Taipei (TW)

(73) Assignee: **COMPAL ELECTRONICS, INC.**, Taipei (TW)

(\*\*) Term: **15 Years**

(21) Appl. No.: **29/697,896**

(22) Filed: **Jul. 12, 2019**

(30) **Foreign Application Priority Data**

May 27, 2019 (TW) ..... 108303144

(51) **LOC (13) Cl.** ..... **16-02**

(52) **U.S. Cl.**  
USPC ..... **D16/235**

(58) **Field of Classification Search**

USPC ..... D16/235, 221, 225, 229, 232; D26/51, D26/61, 63, 107; D14/423

CPC ..... G03B 21/12; G03B 21/14; G03B 21/142; G03B 21/145; G03B 21/30; F21V 33/00

See application file for complete search history.

(56) **References Cited**

**U.S. PATENT DOCUMENTS**

D835,330 S	*	12/2018	Richardson	.....	D26/107
D863,409 S	*	10/2019	Wang	.....	D16/235
D880,564 S	*	4/2020	Kao	.....	D16/229
D888,132 S	*	6/2020	Kao	.....	D16/235
D904,493 S	*	12/2020	Wu	.....	D16/221
D906,401 S	*	12/2020	Wu	.....	D16/221
D907,837 S	*	1/2021	Tang	.....	D26/107

(Continued)

Primary Examiner — Wan Laymon

(74) Attorney, Agent, or Firm — JCIPRNET

(57) **CLAIM**

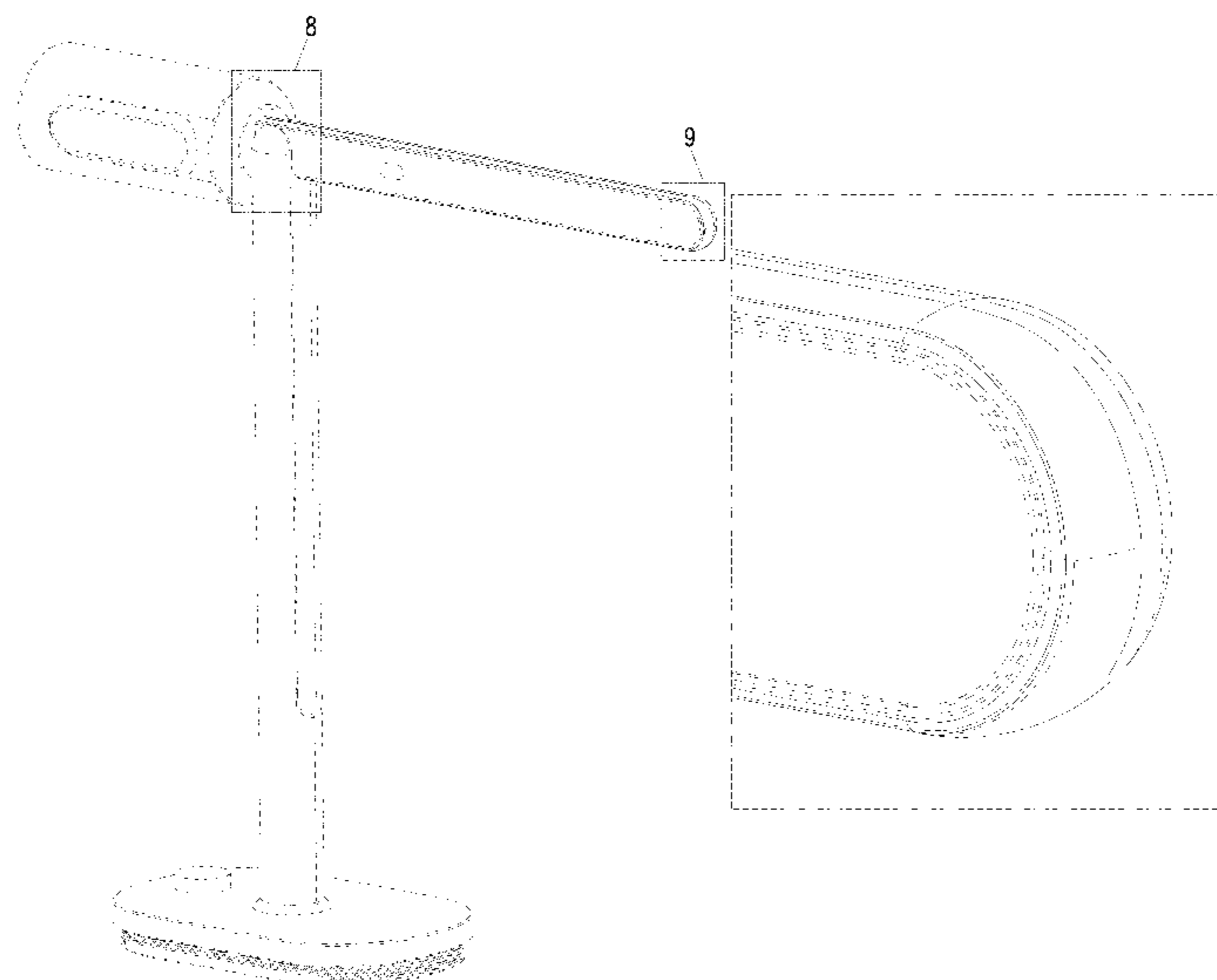
The ornamental design for a projector equipped with a lamp, as shown and described.

**DESCRIPTION**

FIG. 1 is a perspective view of a projector equipped with a lamp showing our new design;  
 FIG. 2 is a front view thereof;  
 FIG. 3 is a rear view thereof;  
 FIG. 4 is a left side view thereof;  
 FIG. 5 is a right side view thereof;  
 FIG. 6 is a top view thereof;  
 FIG. 7 is a bottom view thereof;  
 FIG. 8 is an enlarged view of the portion, labeled '8' of FIG. 1;  
 FIG. 9 is an enlarged view of the portion, labeled '9' of FIG. 1;  
 FIG. 10 is an enlarged view of the portion, labeled '10' of FIG. 3;  
 FIG. 11 is an enlarged view of the portion, labeled '11' of FIG. 5;  
 FIG. 12 is an enlarged view of the portion, labeled '12' of FIG. 6;  
 FIG. 13 is an enlarged view of the portion, labeled '13' of FIG. 7;  
 FIG. 14 is a perspective view thereof in a folded state;  
 FIG. 15 is a front view thereof;  
 FIG. 16 is a rear view thereof;  
 FIG. 17 is a left side view thereof;  
 FIG. 18 is a right side view thereof;  
 FIG. 19 is a top view thereof; and,  
 FIG. 20 is a bottom view thereof.

The dashed broken lines illustrate portions of the projector equipped with a lamp and form no part of the claimed design. The dot-dash broken lines define the bounds of the claimed design and form no part thereof.

**1 Claim, 17 Drawing Sheets**



(56)

**References Cited**

U.S. PATENT DOCUMENTS

D912,127 S \* 3/2021 Wu ..... D16/235  
D918,449 S \* 5/2021 Raghunathan ..... D26/51

\* cited by examiner

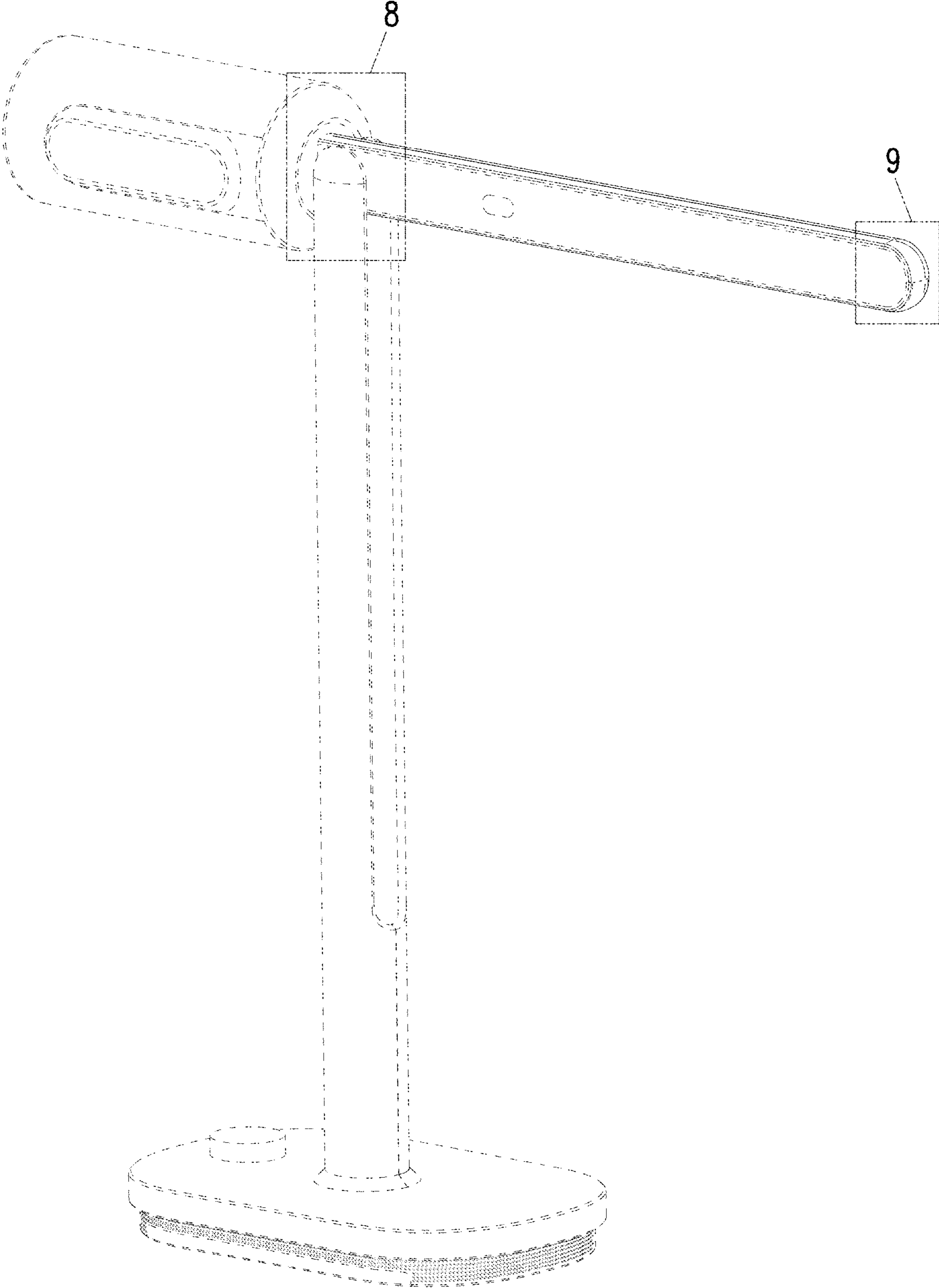


FIG. 1

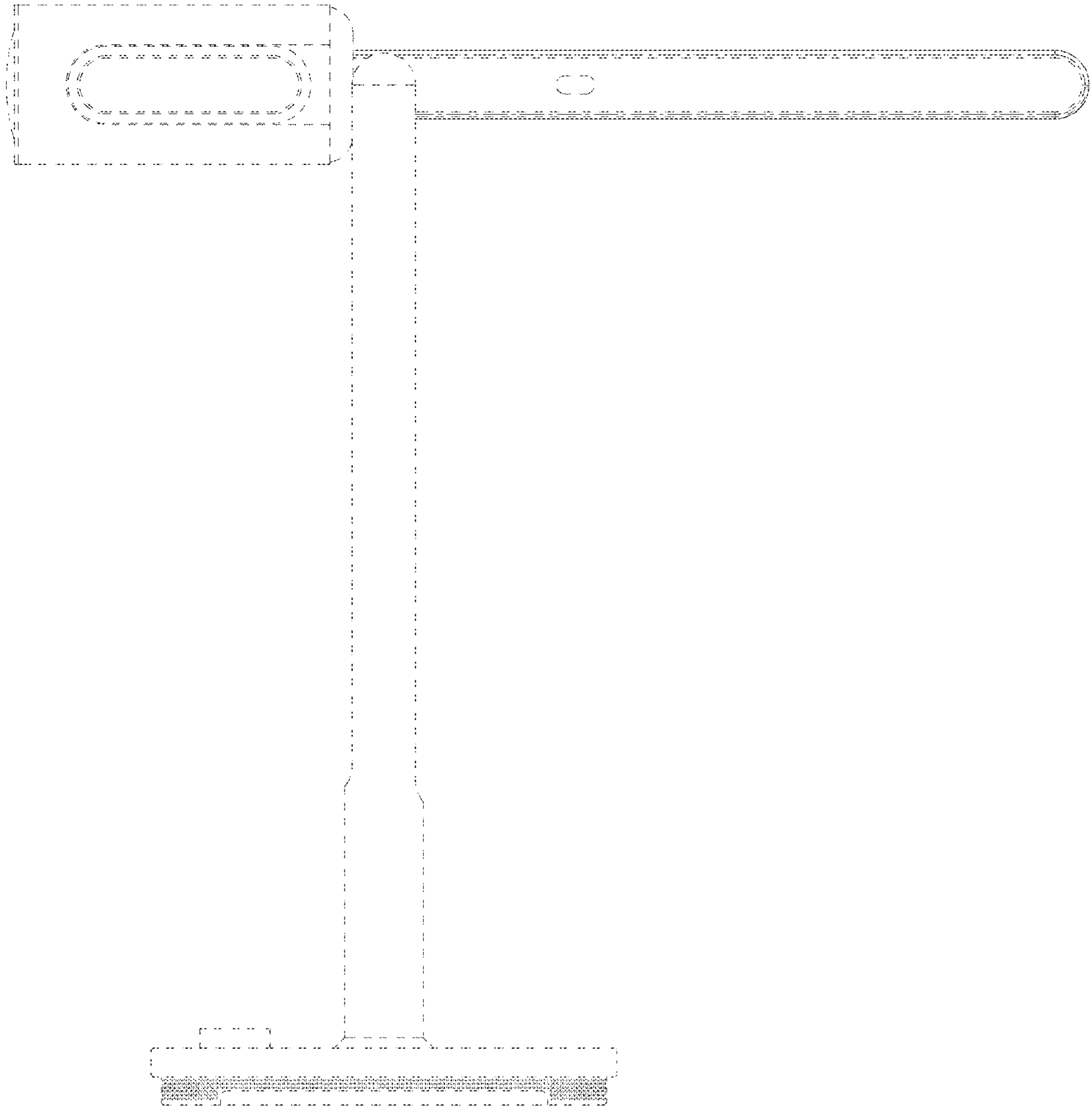


FIG. 2

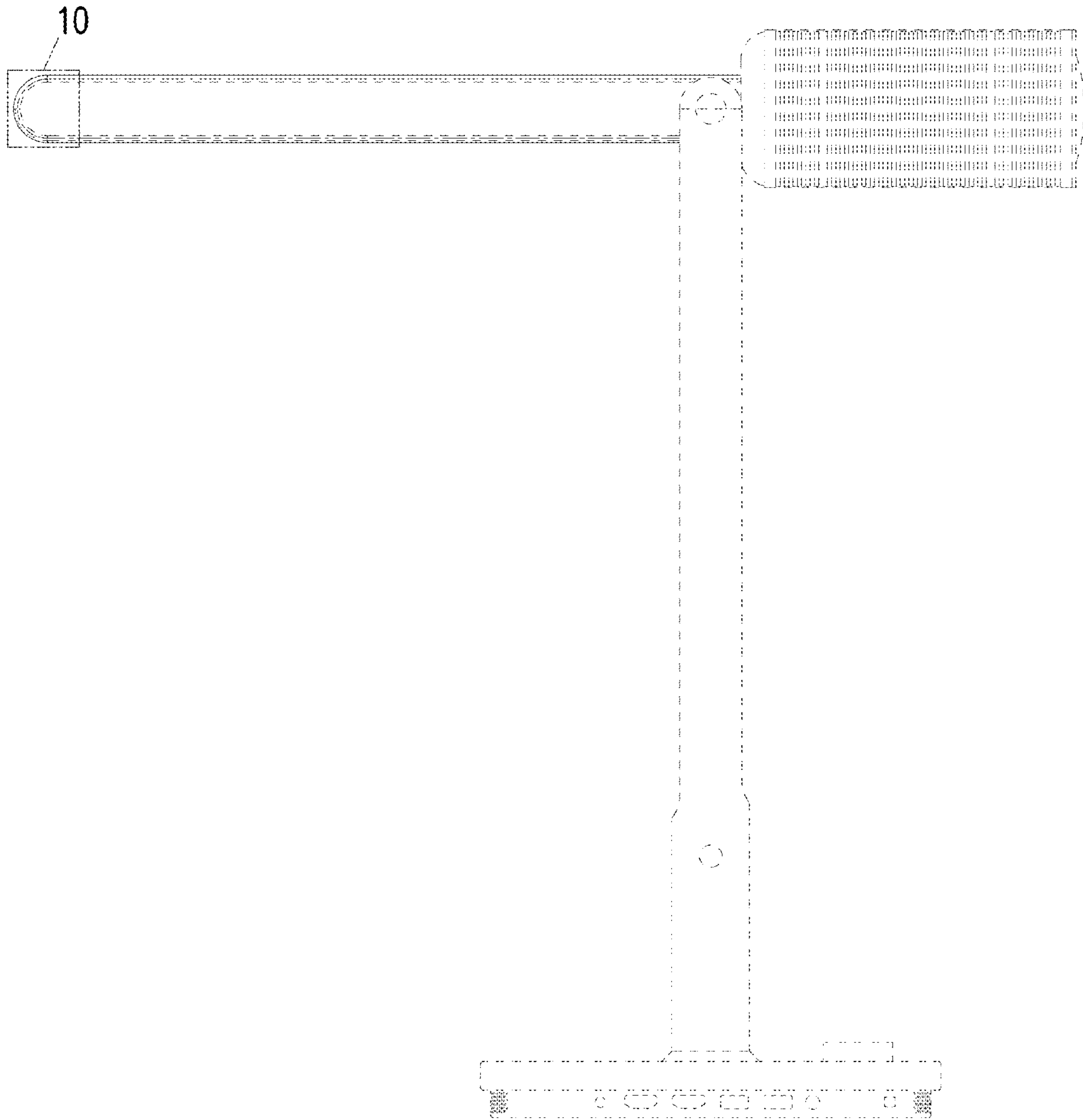


FIG. 3

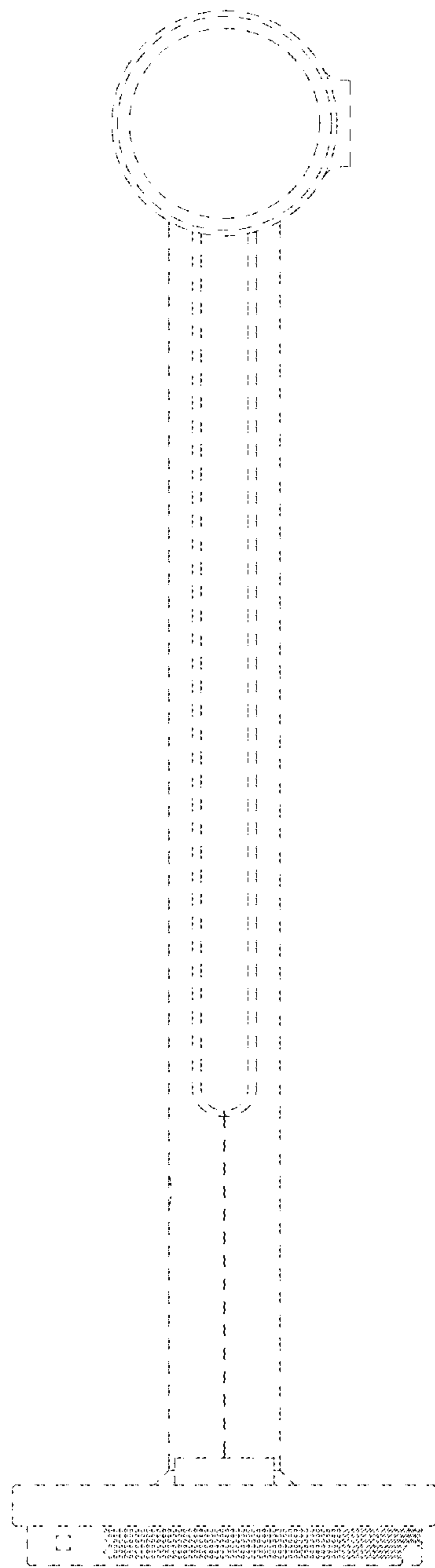


FIG. 4

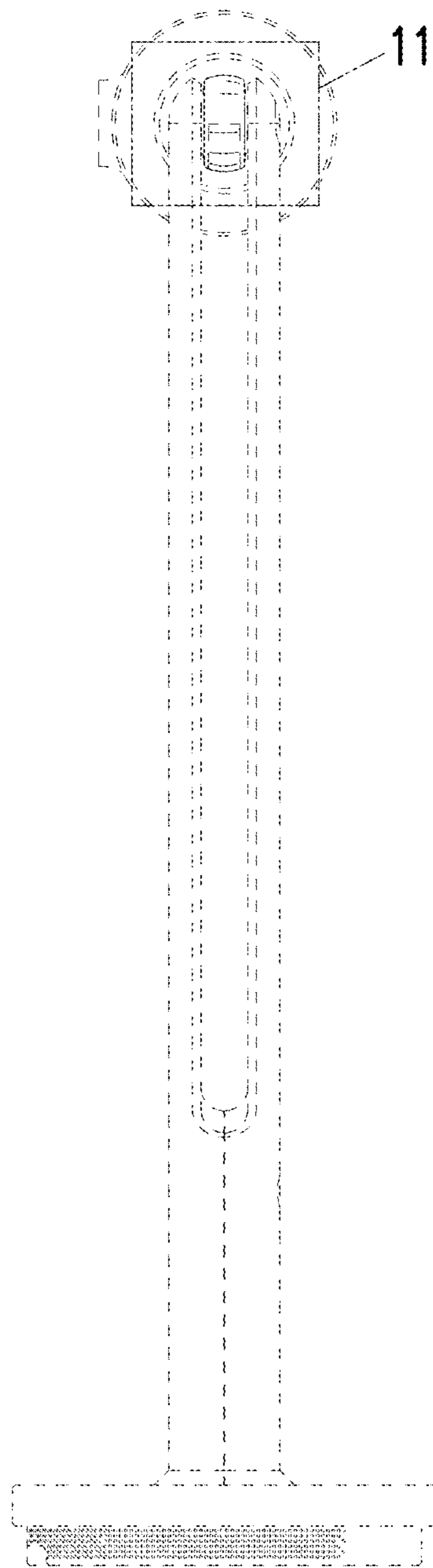


FIG. 5

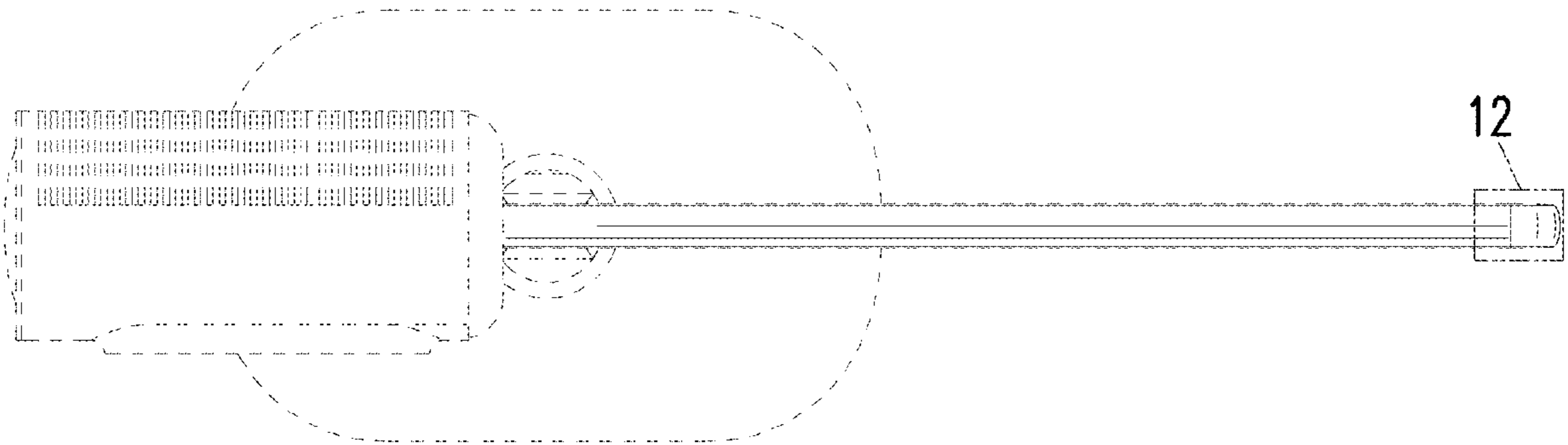


FIG. 6

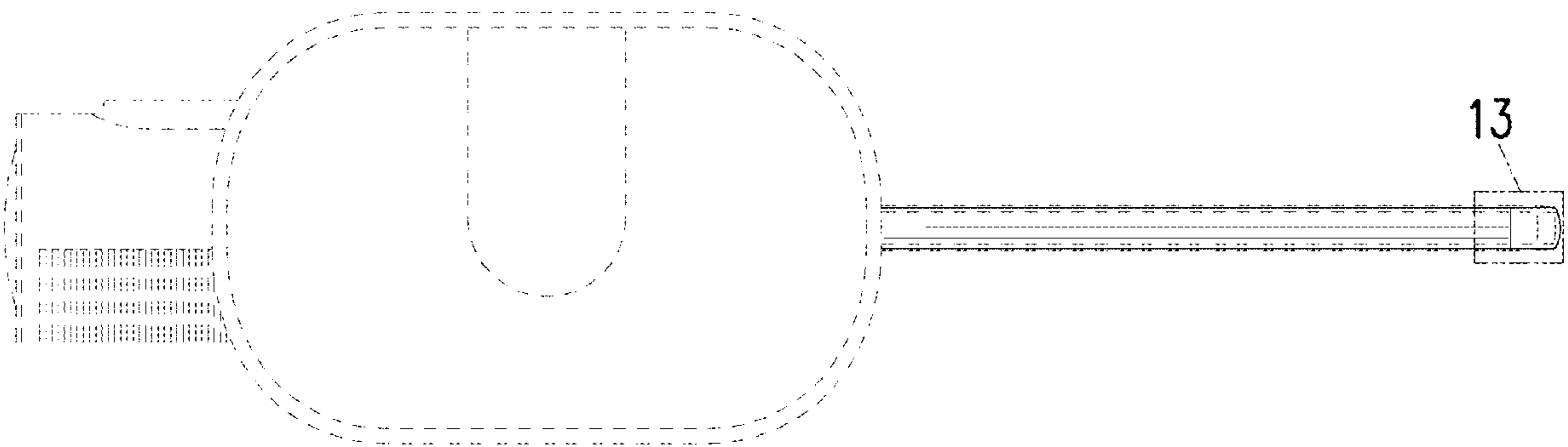


FIG. 7



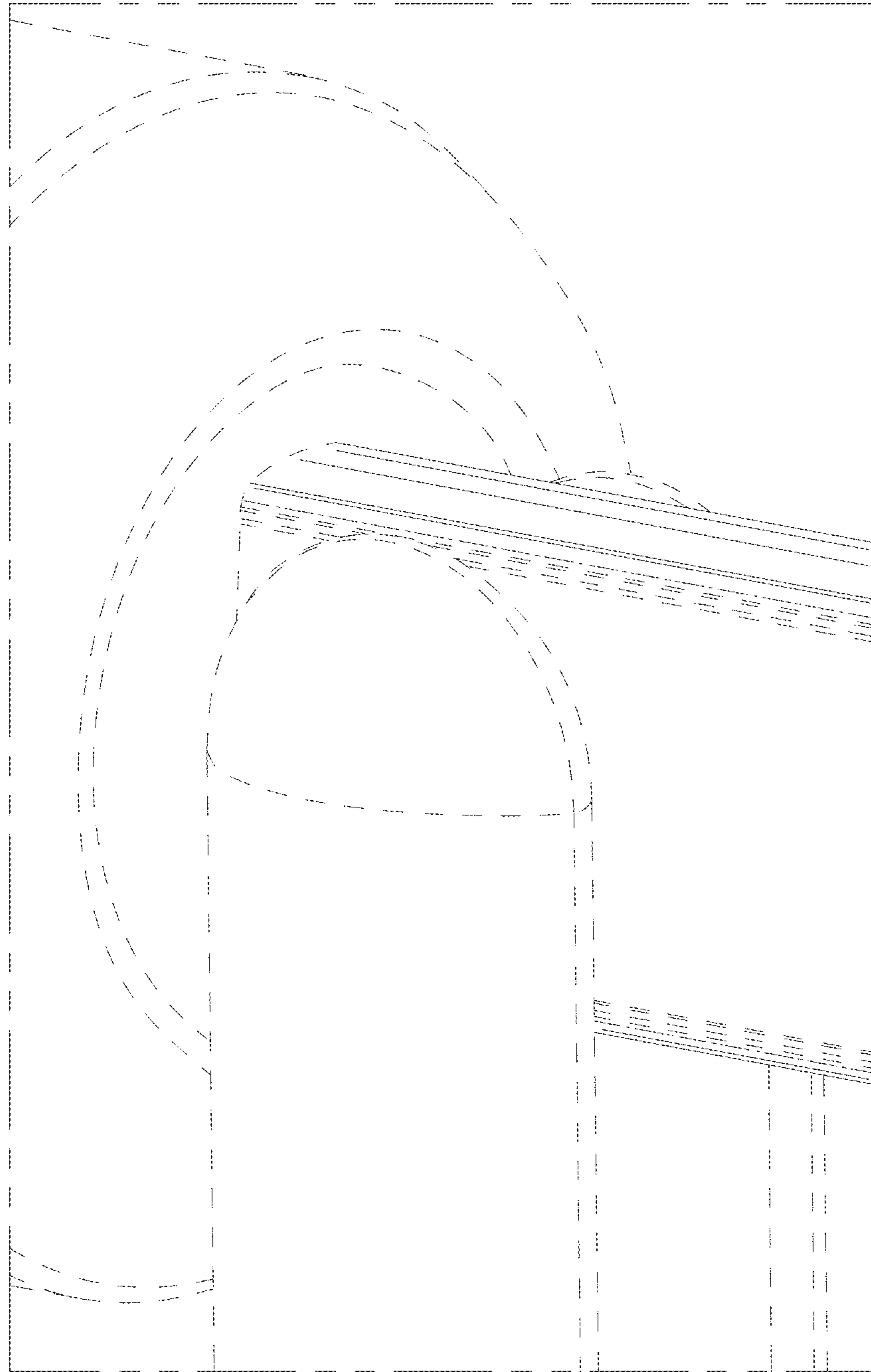


FIG. 8

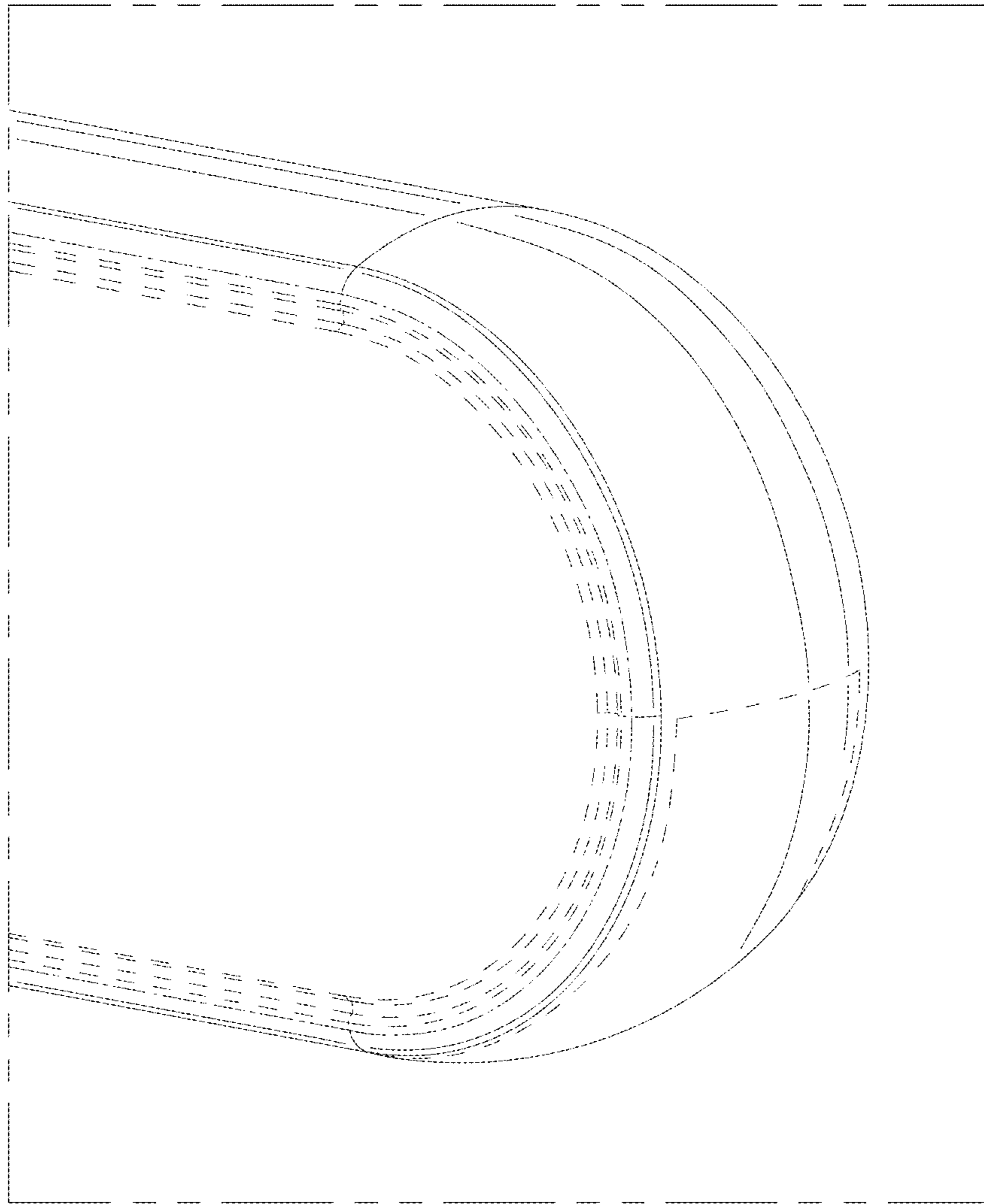


FIG. 9

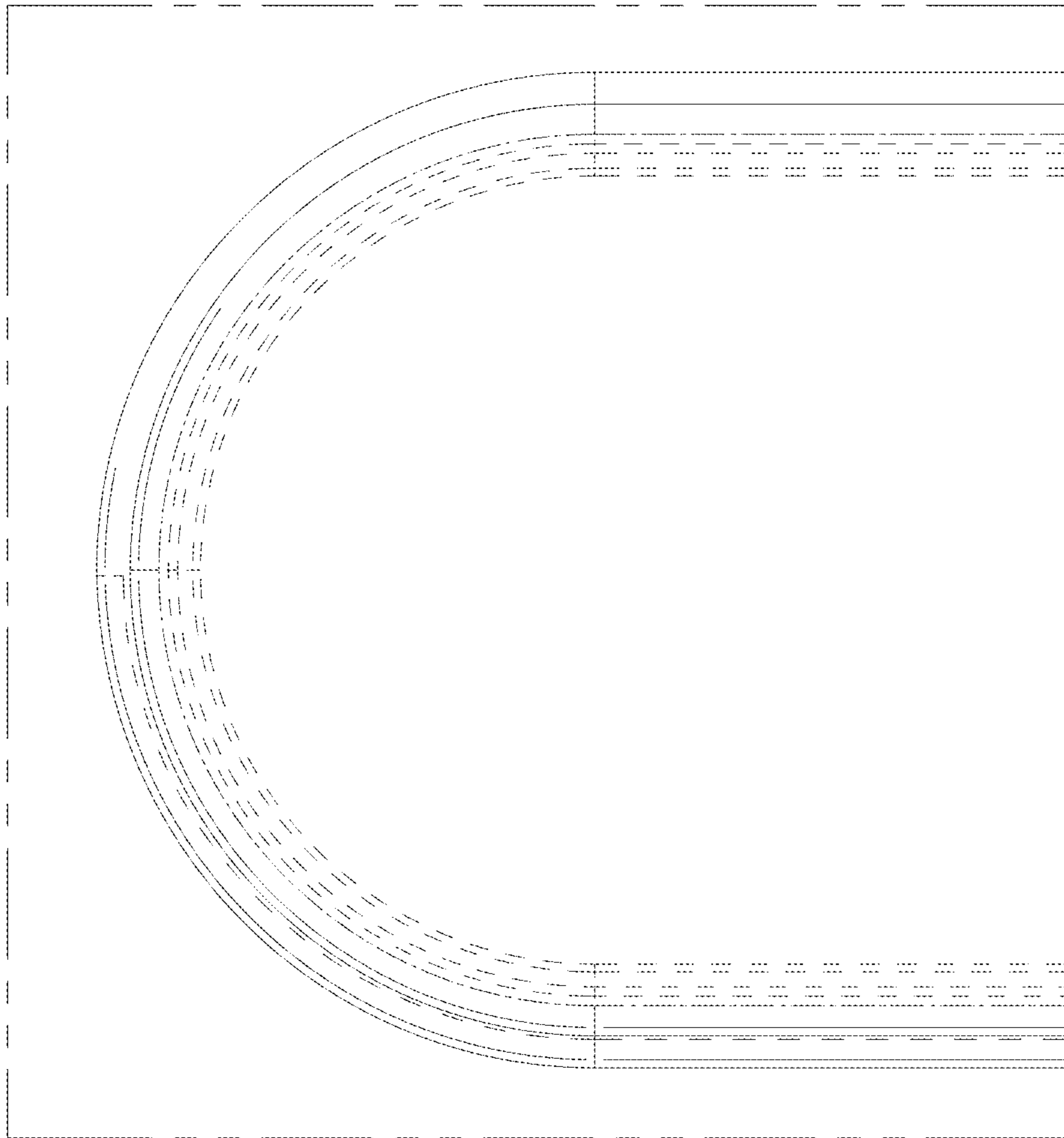


FIG. 10

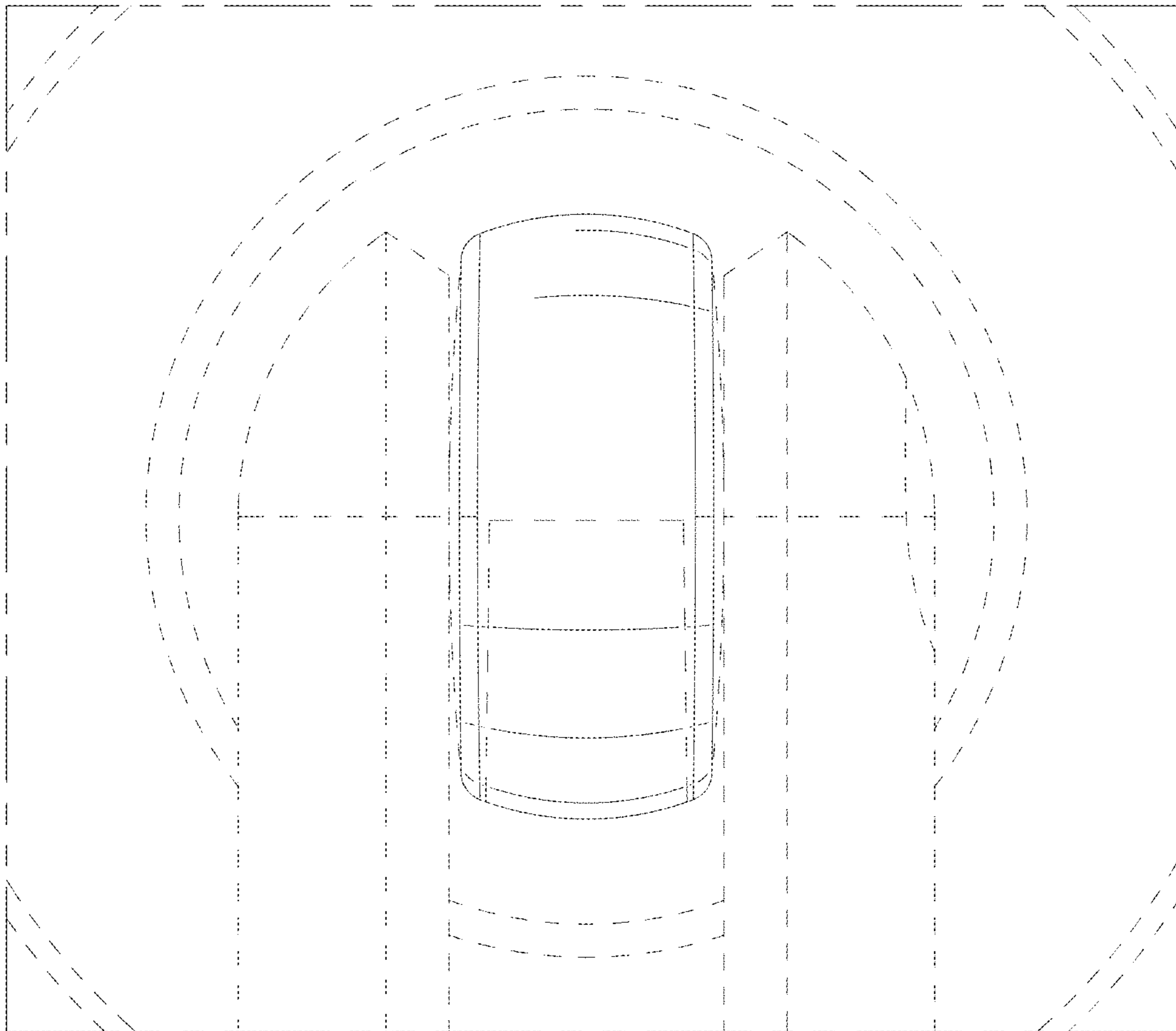


FIG. 11

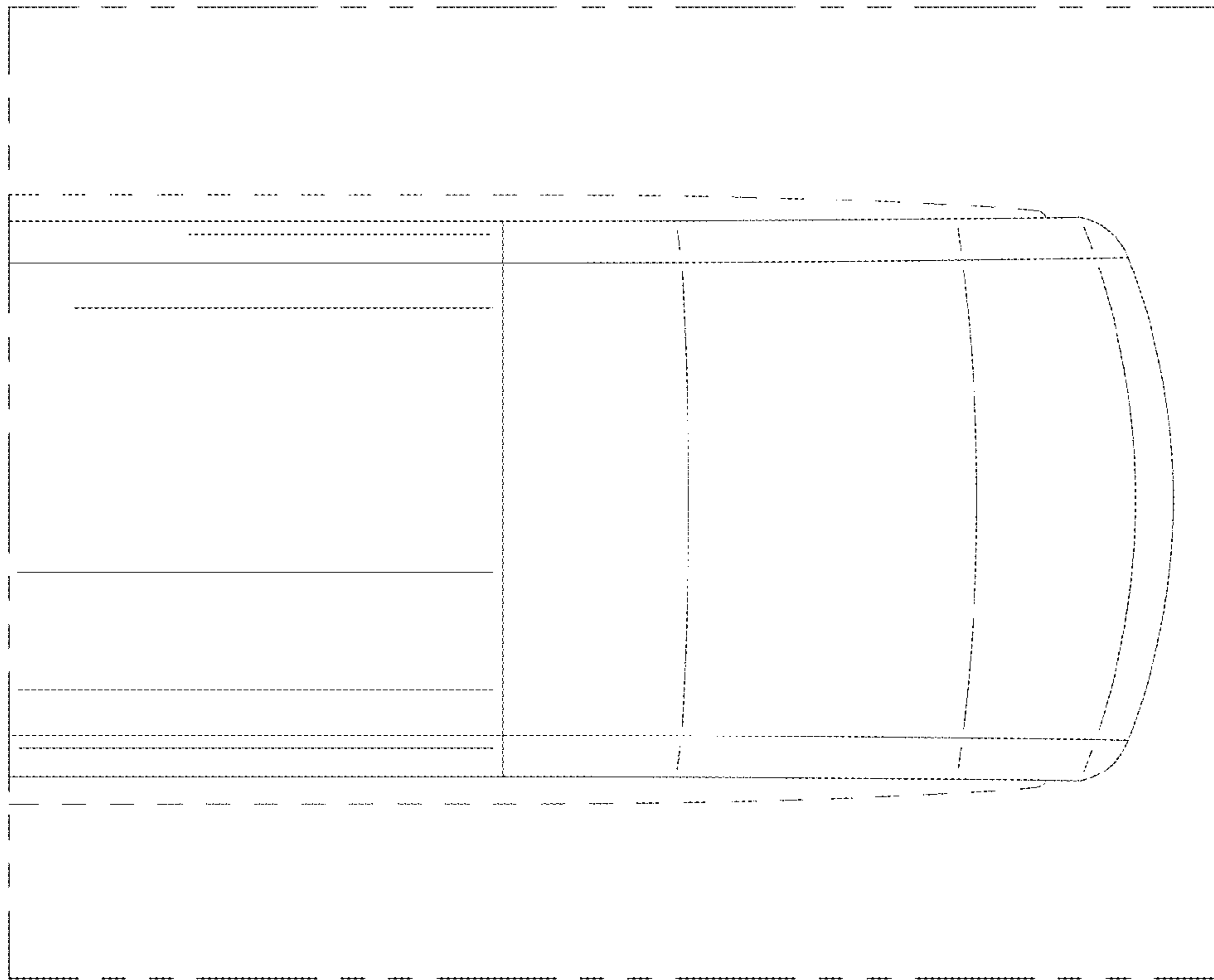


FIG. 12

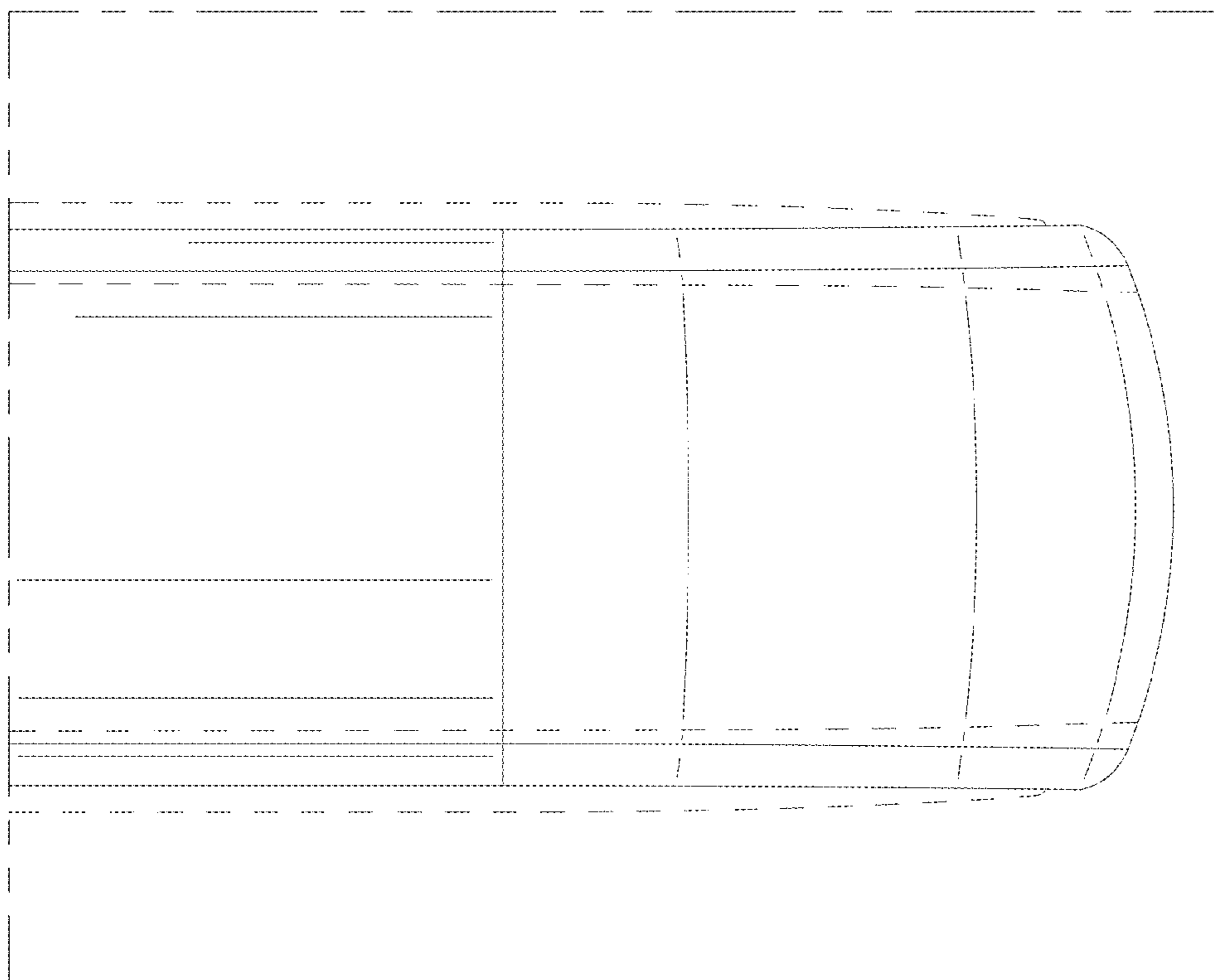


FIG. 13

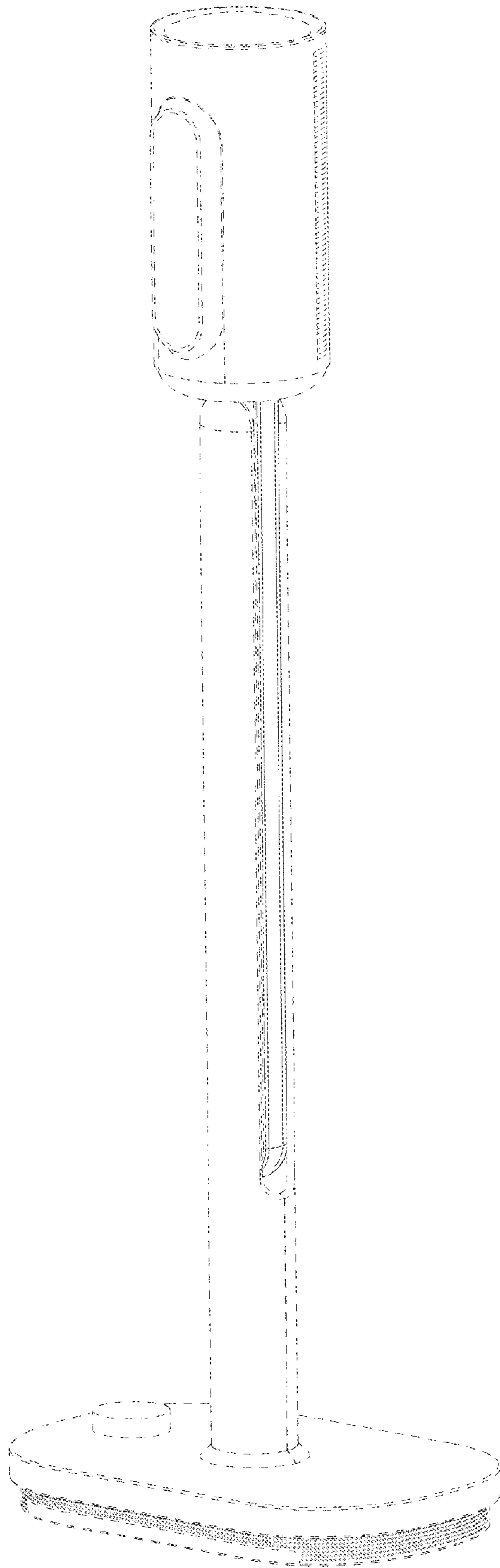


FIG. 14



FIG. 15

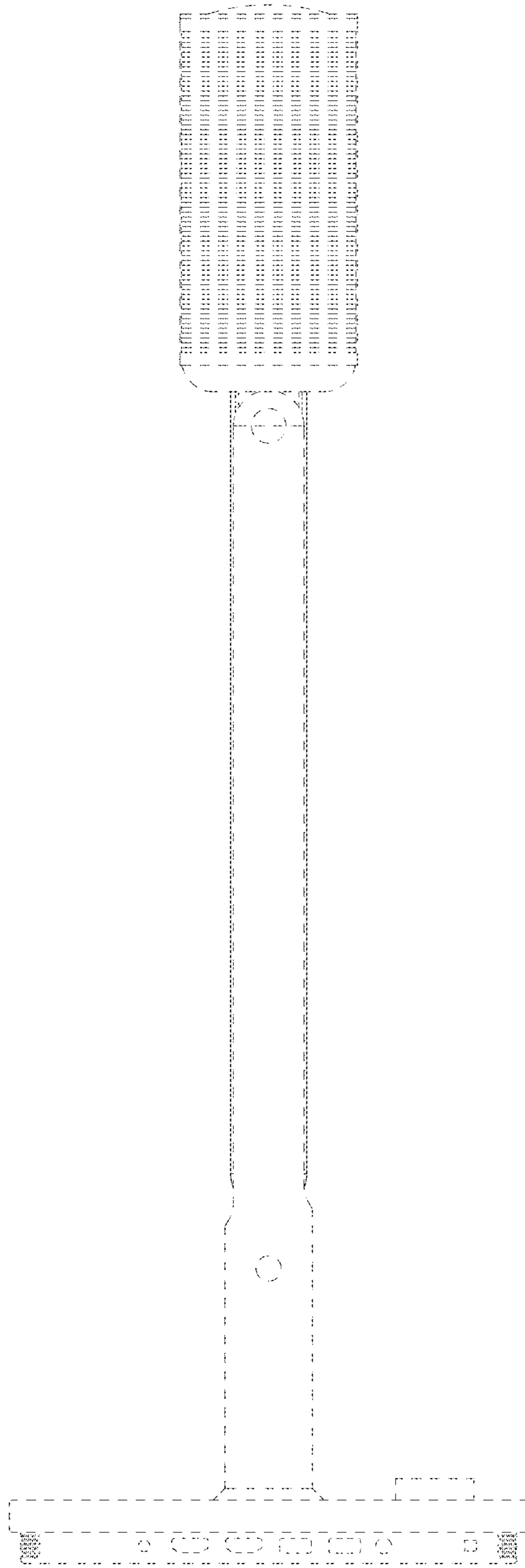


FIG. 16



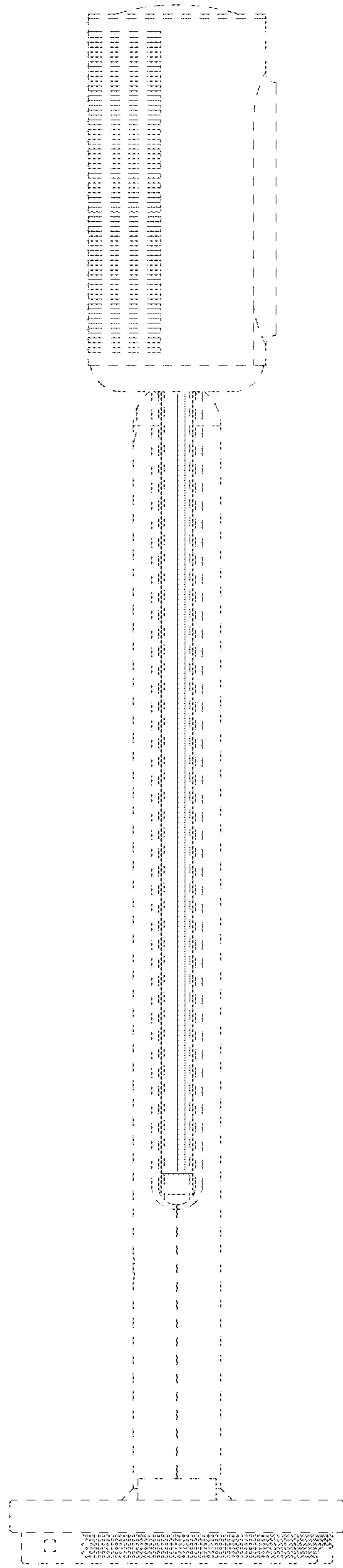


FIG. 17

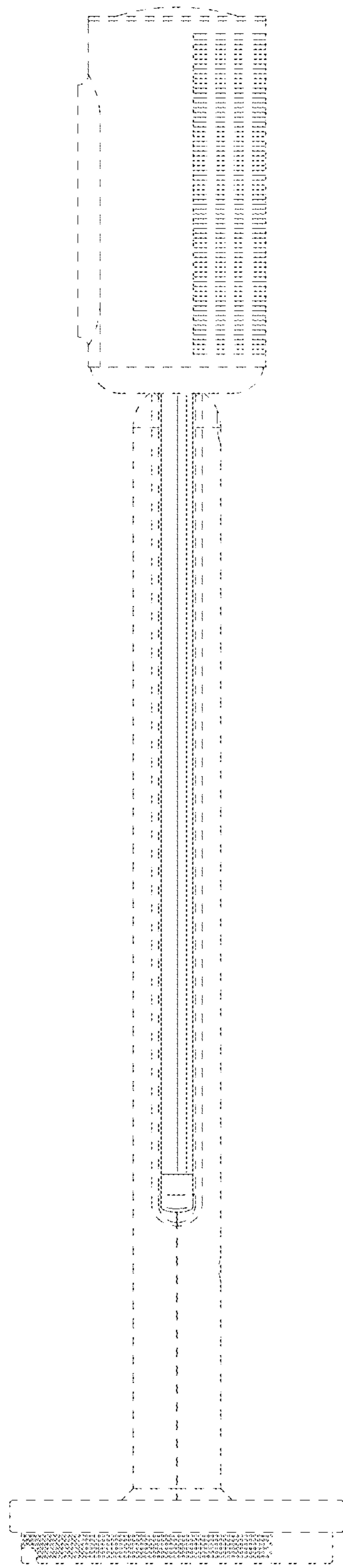


FIG. 18

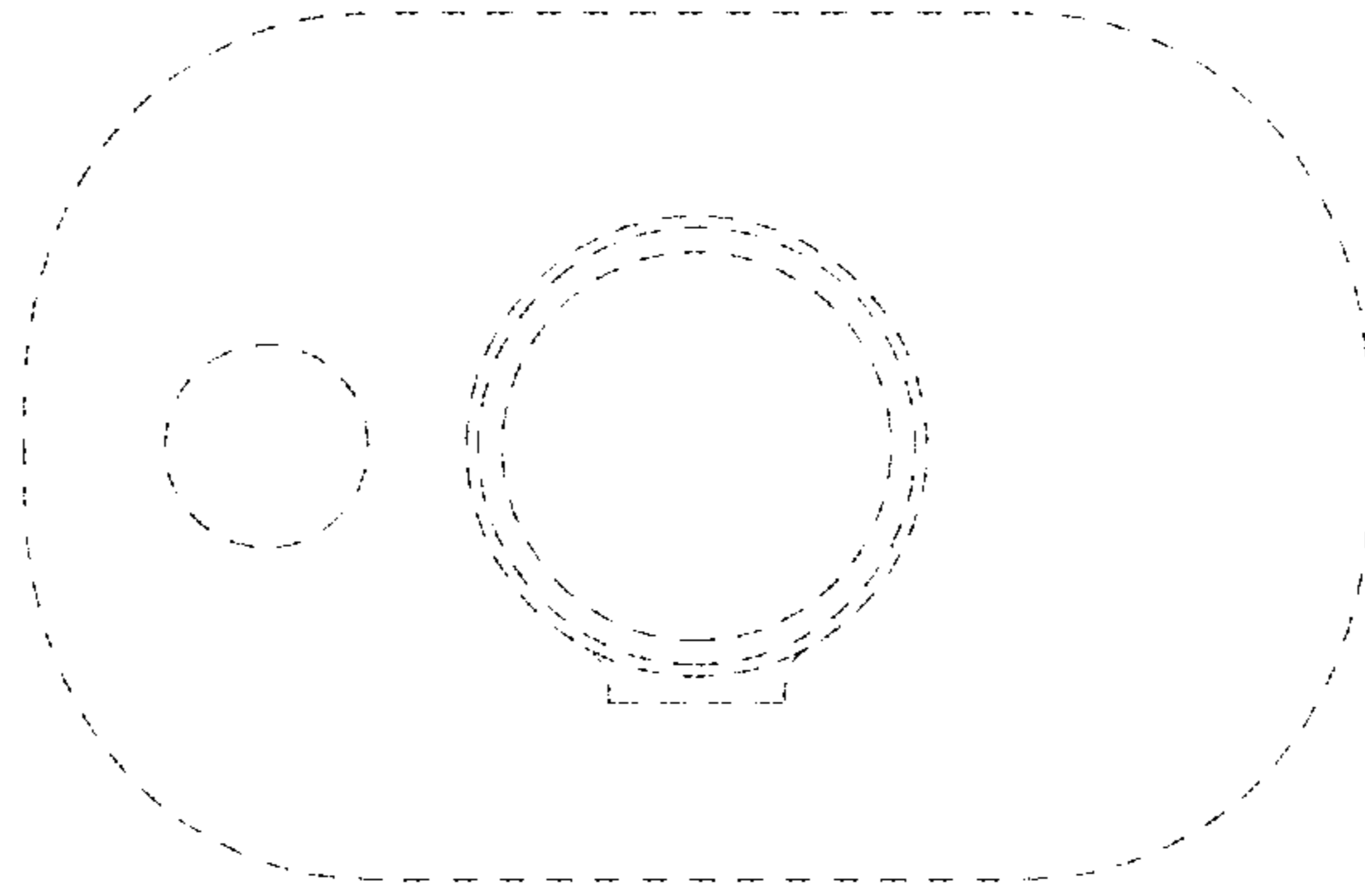


FIG. 19

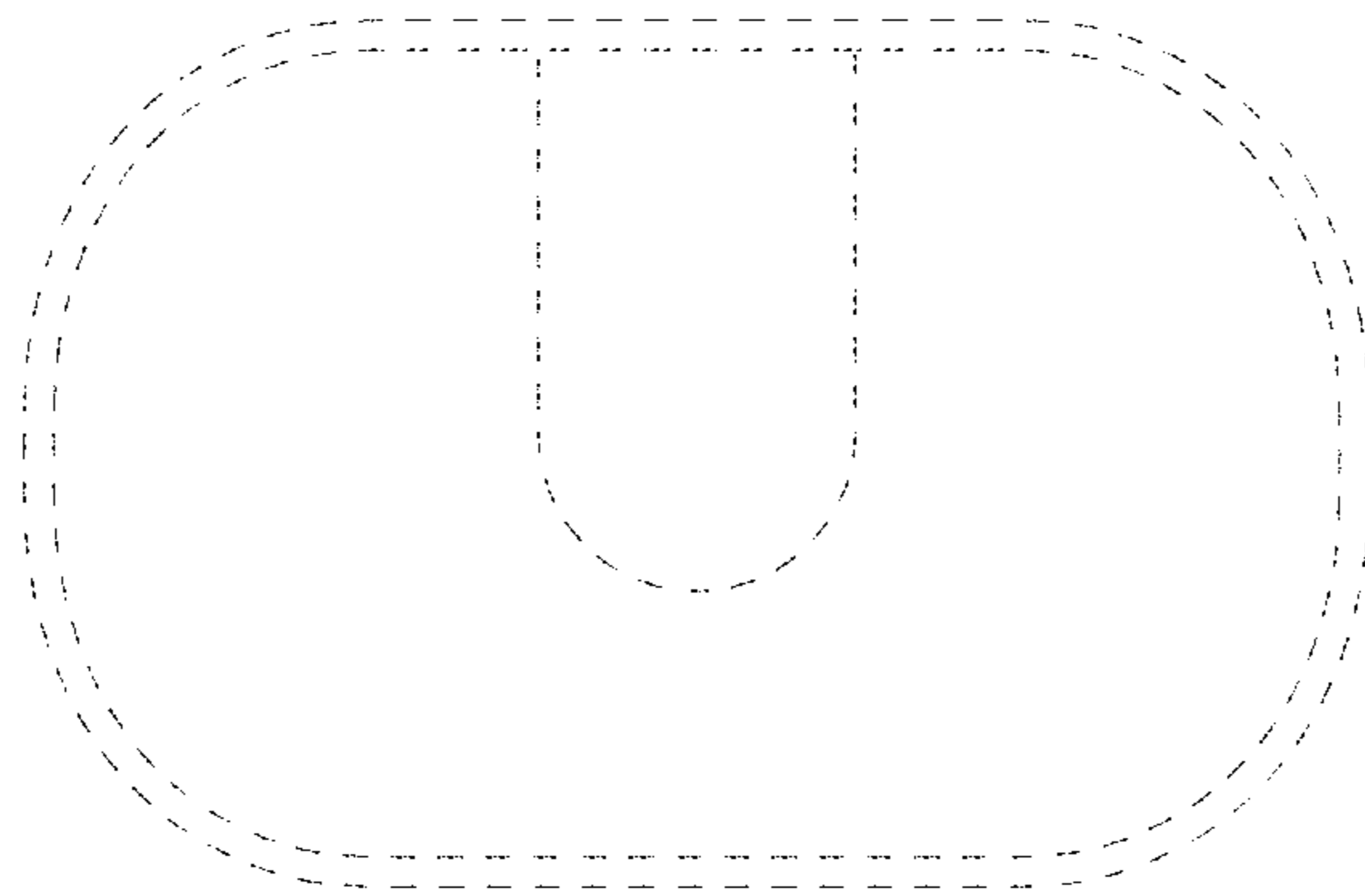


FIG. 20