



US00D941384S

(12) **United States Design Patent**  
**Zhao**

(10) **Patent No.:** **US D941,384 S**  
(45) **Date of Patent:** **\*\* Jan. 18, 2022**

(54) **DIGITAL CAMCORDER**

(71) Applicant: **Shenzhen Gaoxinde Intelligent Technology Co., Ltd.**, Guangdong (CN)

(72) Inventor: **Jiawei Zhao**, Guangdong (CN)

(73) Assignee: **Shenzhen Gaoxinde Intelligent Technology Co., Ltd.**, Guangdong (CN)

D613,323 S *	4/2010	Jang	.....	D16/202
D637,222 S *	5/2011	Jang	.....	D16/203
D652,066 S *	1/2012	Jang	.....	D16/203
D656,528 S	3/2012	Kwon et al.		
D664,176 S *	7/2012	Naoya	.....	D16/202
D664,578 S *	7/2012	Tanifuji	.....	D16/202
D675,240 S *	1/2013	Narita	.....	D16/202
D689,110 S *	9/2013	Euihoon	.....	D16/202
D696,328 S *	12/2013	Nishiwaki	.....	D16/202
D698,381 S *	1/2014	Arimoto	.....	D16/202
D864,272 S *	10/2019	Zhao	.....	D16/202
2012/0134661 A1 *	5/2012	Ozaki	.....	G03B 17/02 396/535

(\*\*) Term: **15 Years**

\* cited by examiner

(21) Appl. No.: **29/755,894**

*Primary Examiner* — Ramzi Almatrahi

(22) Filed: **Oct. 23, 2020**

(74) *Attorney, Agent, or Firm* — ScienBiziP, P.C.

(51) **LOC (13) Cl.** ..... **16-01**

(57) **CLAIM**

(52) **U.S. Cl.**  
USPC ..... **D16/202**

The ornamental design for a digital camcorder, as shown and described.

(58) **Field of Classification Search**  
USPC ..... D16/200, 202–208, 218, 219, 242;  
348/143, 148, 151, 373–376; 396/419,  
396/427, 535, 539–541  
CPC ..... G03B 17/02; G03B 19/04; G03B 17/56;  
G03B 17/04; G03B 15/03; H04N 5/2251;  
H04N 5/2252; H04N 5/2253; H04N  
5/2254; H04N 7/181; H04N 7/183; H04N  
7/18; G08B 13/1963; G08B 13/19619;  
G08B 13/19632; F16M 11/04; F16M  
13/00

**DESCRIPTION**

See application file for complete search history.

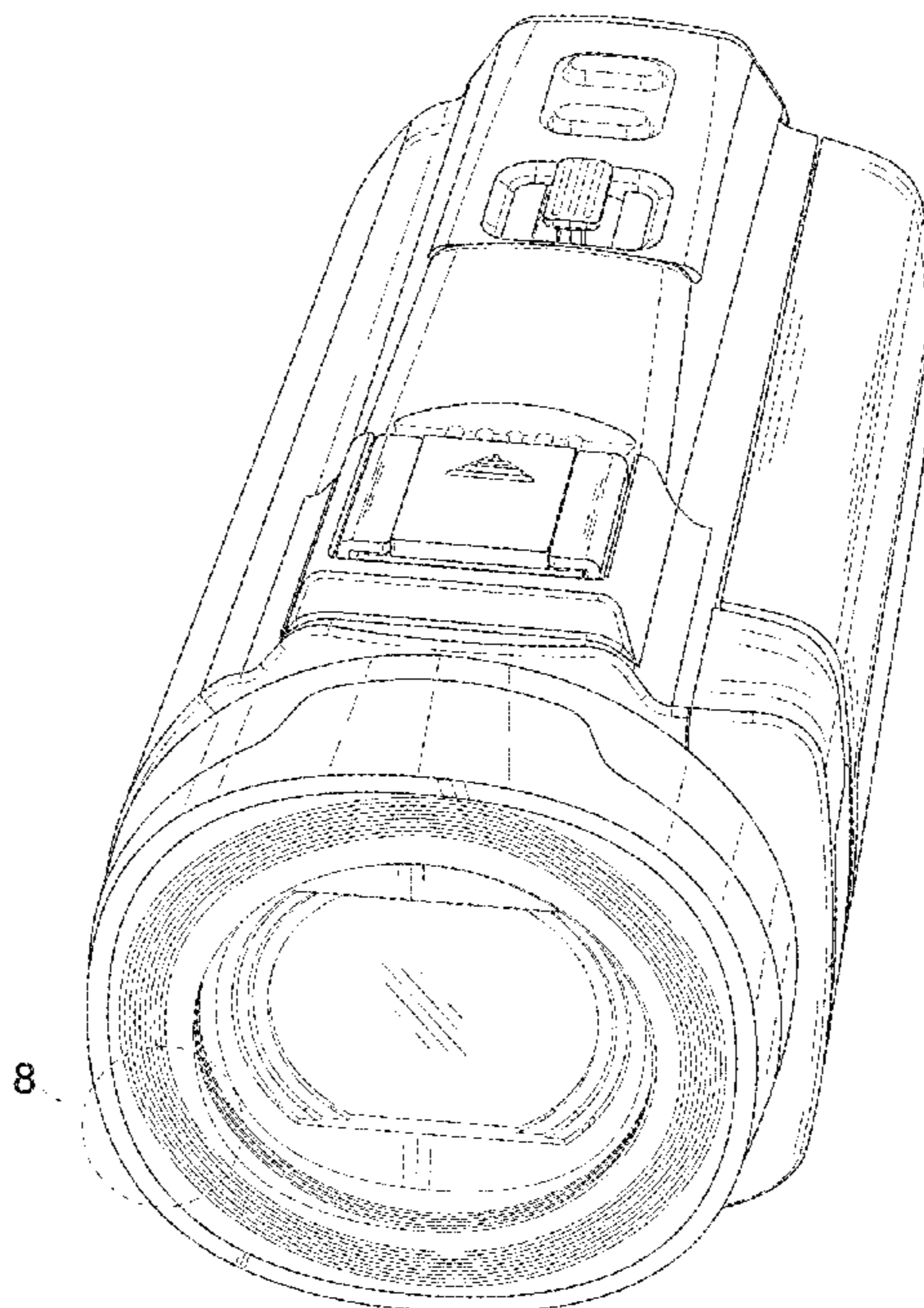
FIG. 1 is a top and front perspective view of a digital camcorder showing my new design;  
FIG. 2 is a front elevation view thereof;  
FIG. 3 is a rear elevation view thereof;  
FIG. 4 is a left side elevation view thereof;  
FIG. 5 is a right side elevation view thereof;  
FIG. 6 is a top plan view thereof;  
FIG. 7 is a bottom plan view thereof; and,  
FIG. 8 is an enlarged view of portion 8 shown in FIG. 1.  
The broken lines depict portions of the digital camcorder in which the design is embodied that form no part of the claimed design. The broken lines encircling an enlargement portion of the design form no part of the claimed design.

(56) **References Cited**

**U.S. PATENT DOCUMENTS**

D593,588 S *	6/2009	Tsuchiya	.....	D16/202
D612,881 S *	3/2010	Narita	.....	D16/202

**1 Claim, 8 Drawing Sheets**



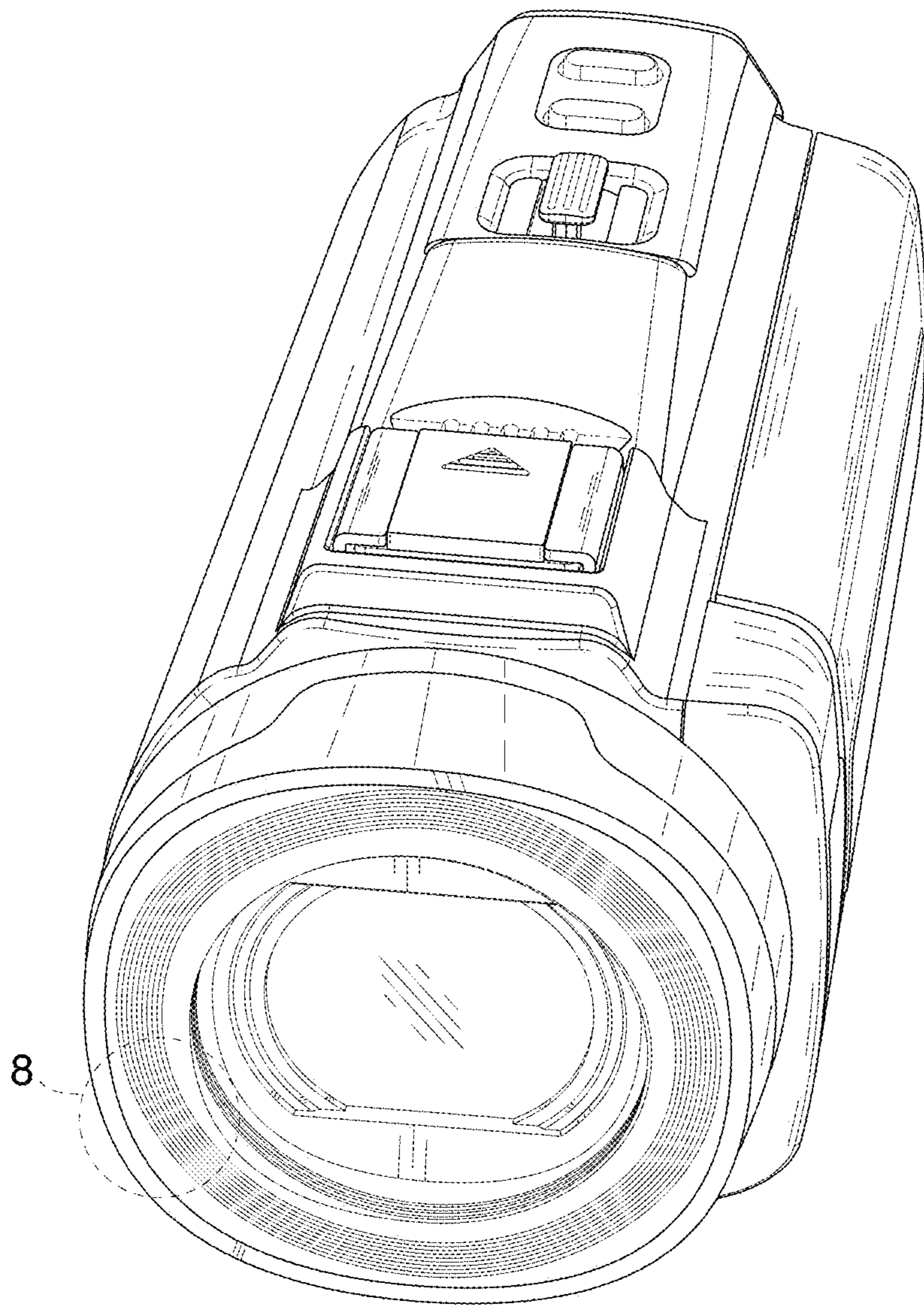


FIG.1

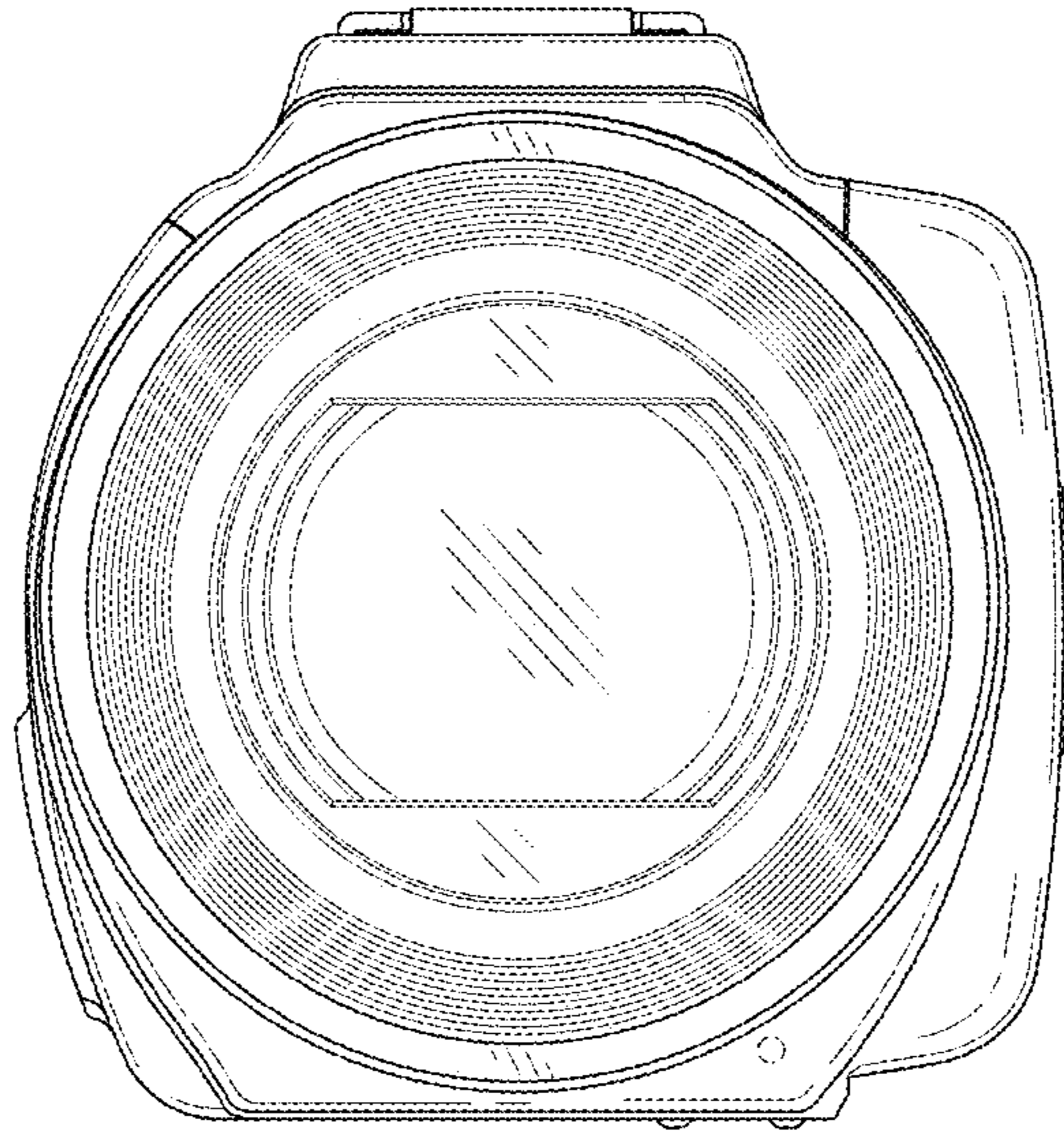


FIG.2

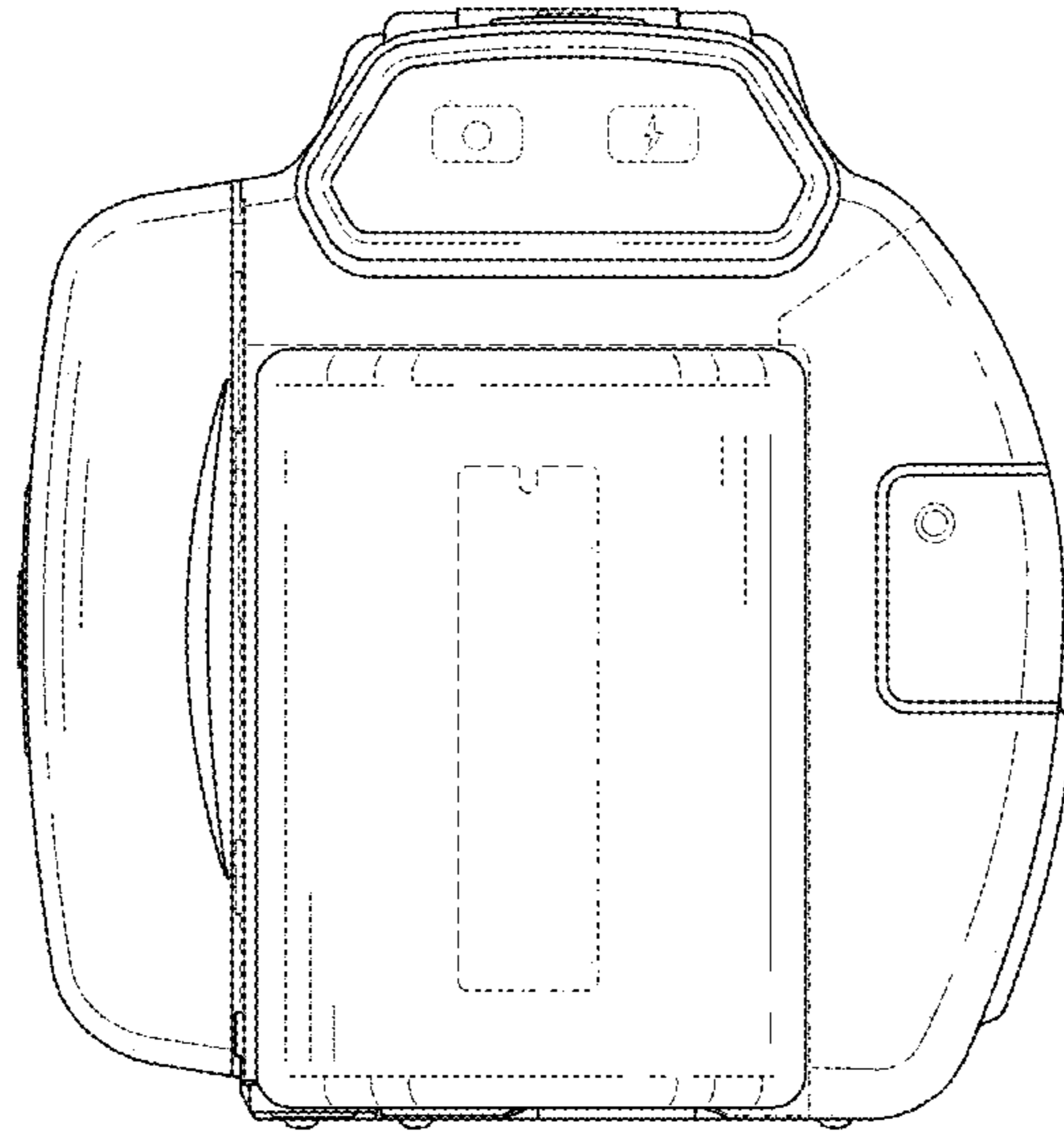


FIG.3



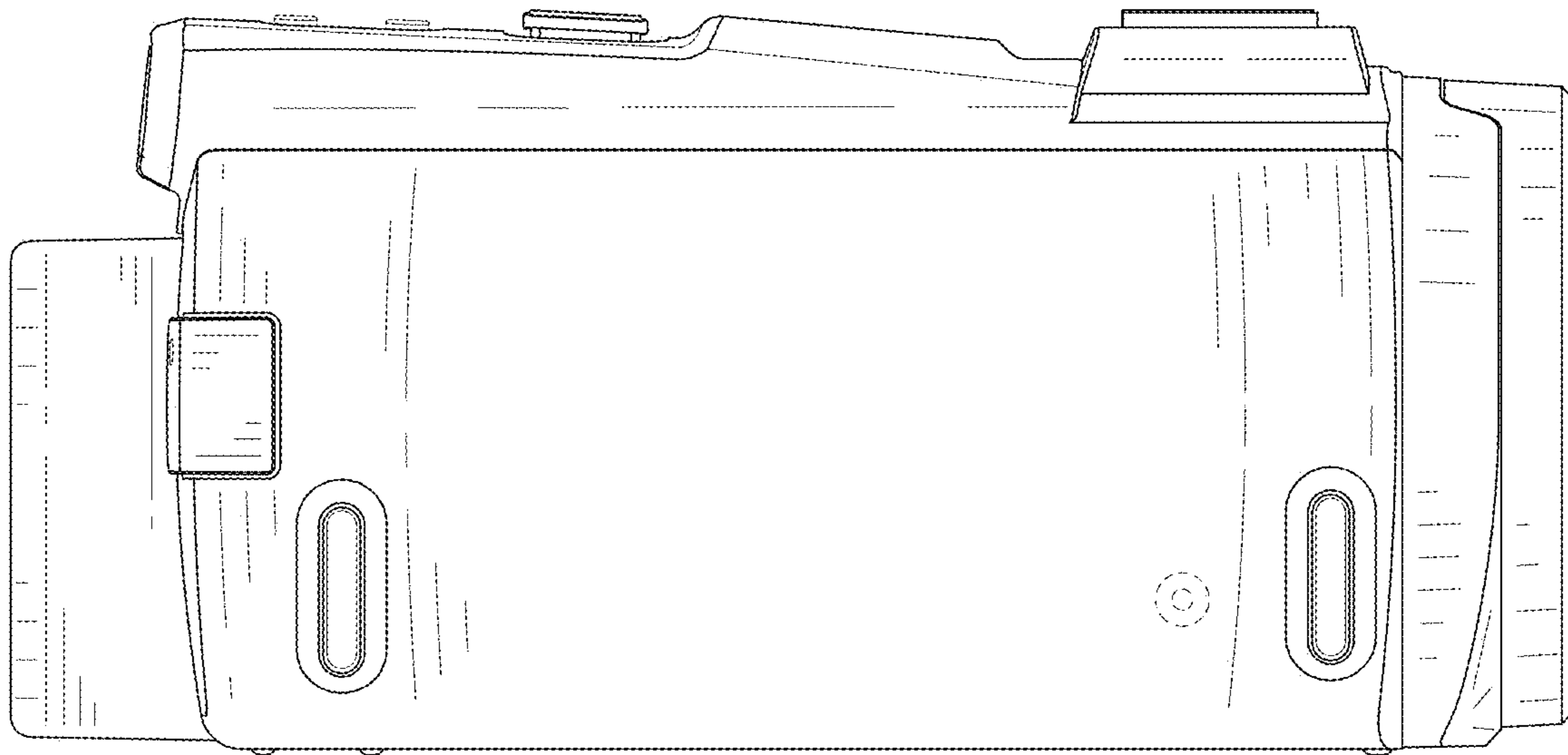


FIG.4

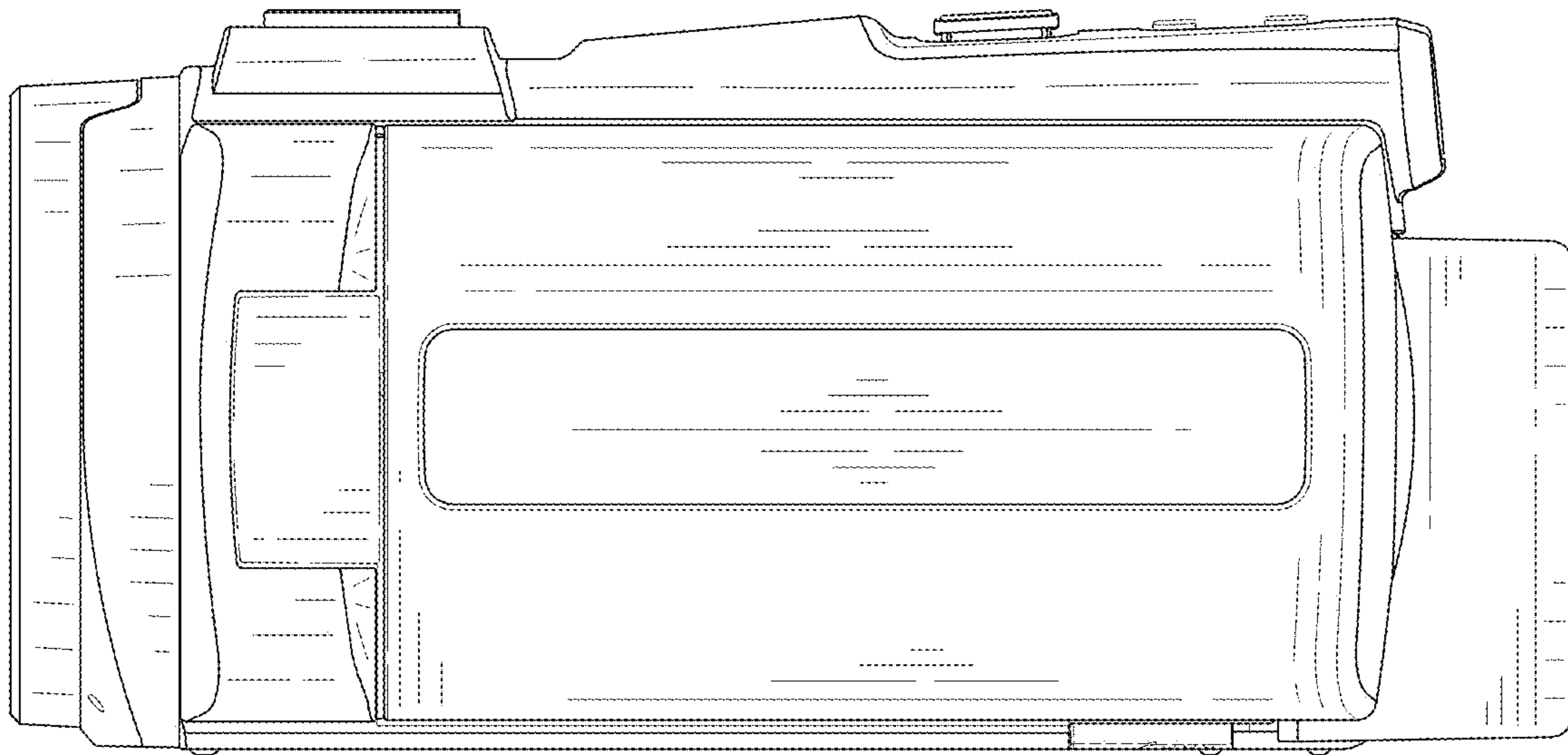


FIG.5

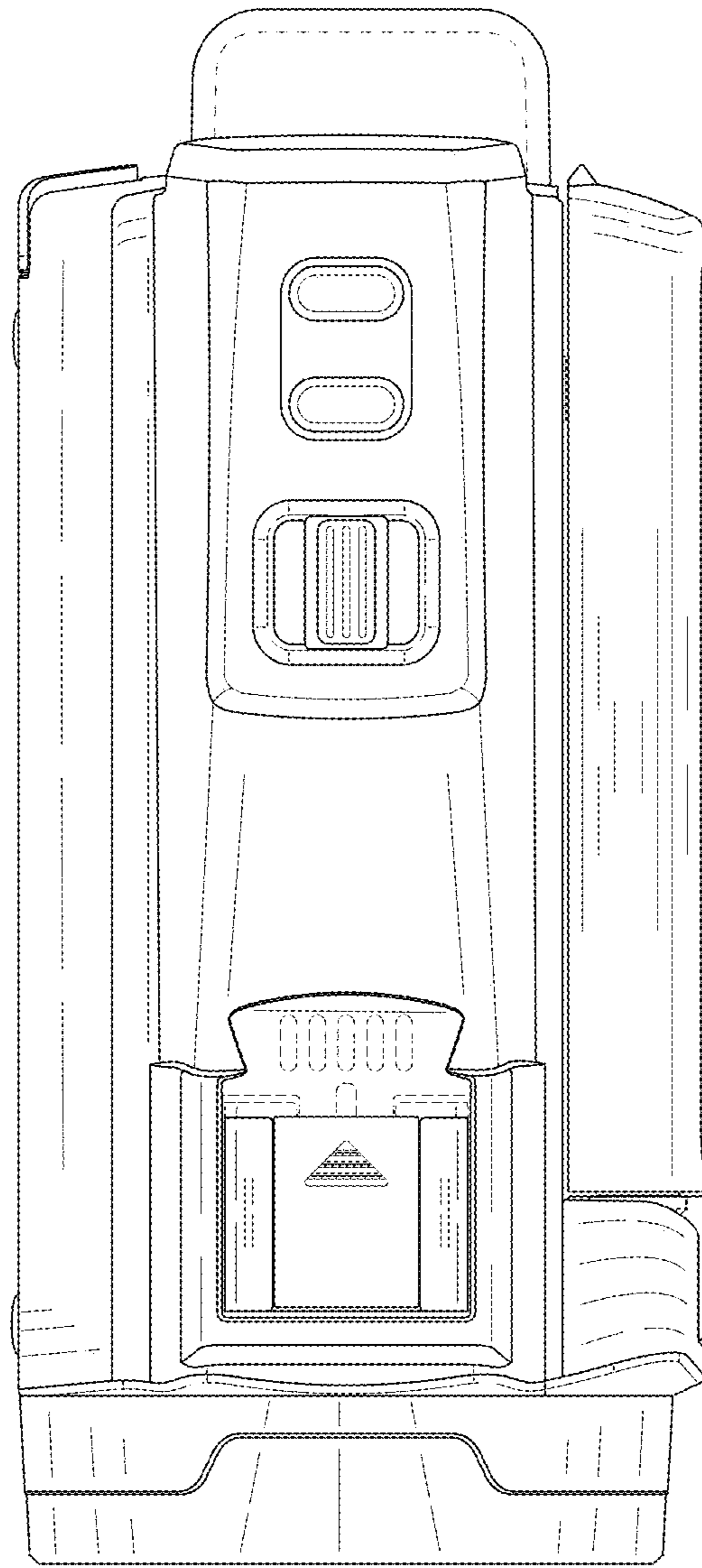


FIG.6

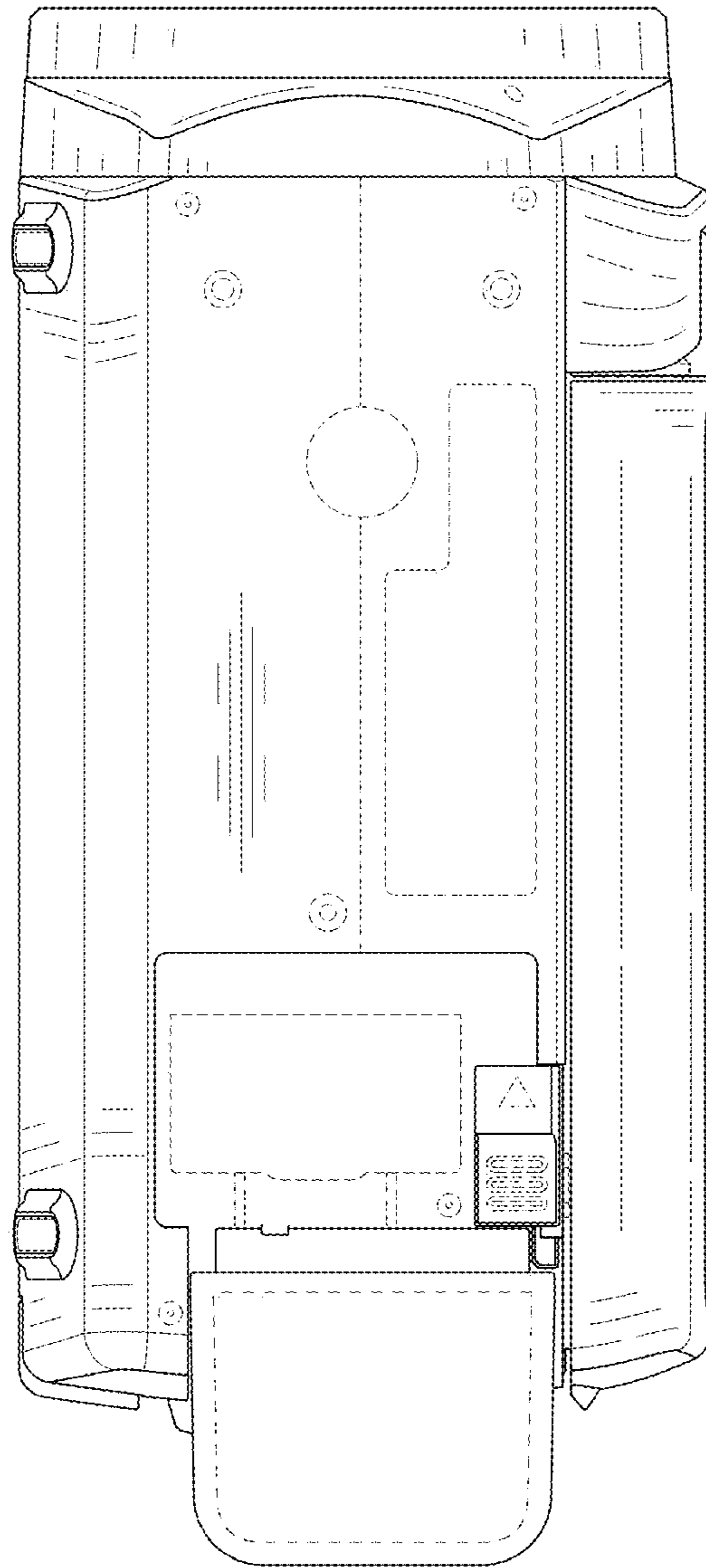


FIG. 7



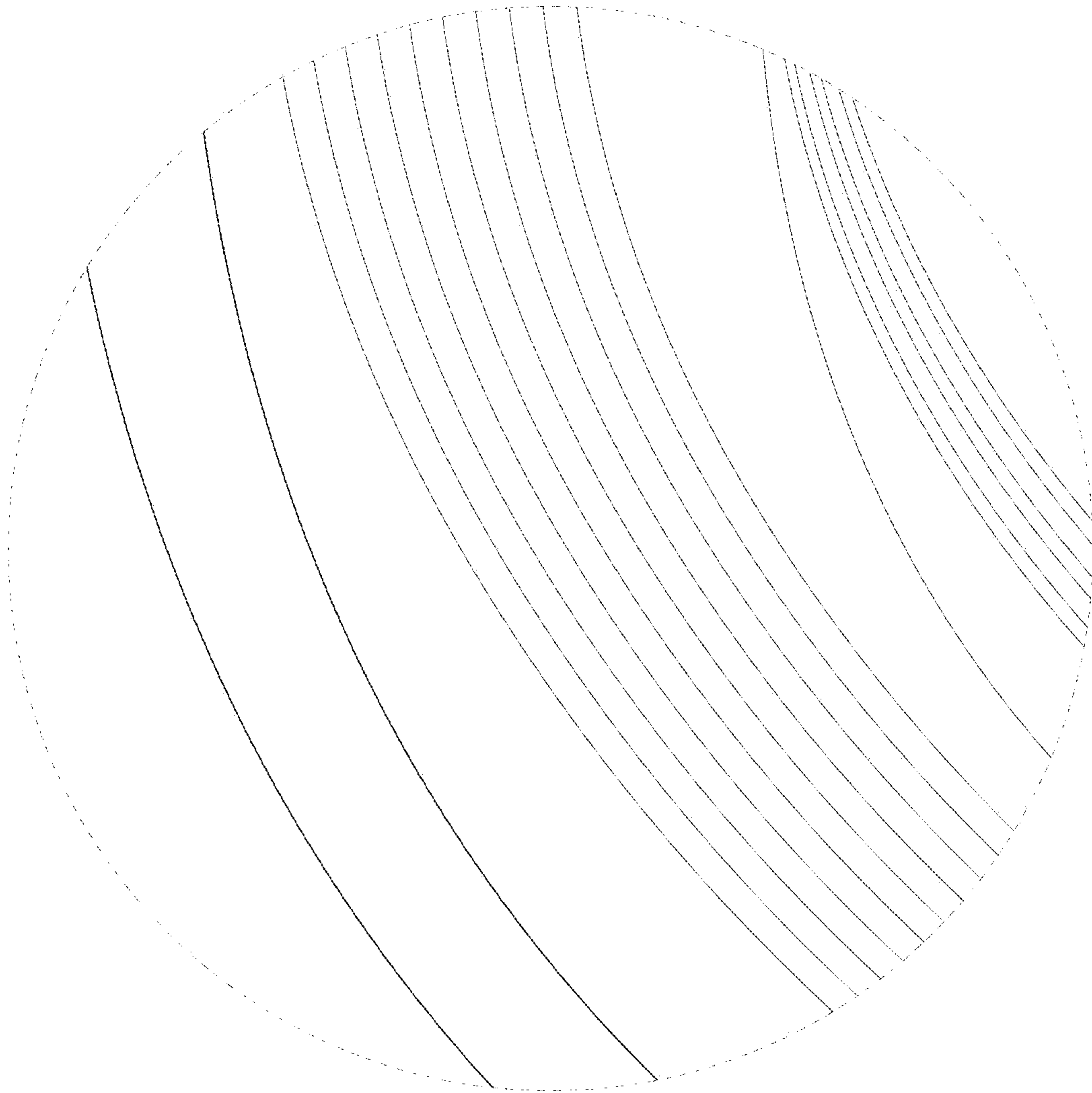


FIG.8