



US00D941382S

(12) **United States Design Patent**
Kunjukkannan

(10) **Patent No.:** **US D941,382 S**

(45) **Date of Patent:** **** Jan. 18, 2022**

(54) **CAMERA ENCLOSURE**

(71) Applicant: **Ashok Babu Kunjukkannan**, Chennai
(IN)

(72) Inventor: **Ashok Babu Kunjukkannan**, Chennai
(IN)

(**) Term: **15 Years**

(21) Appl. No.: **29/657,363**

(22) Filed: **Jul. 20, 2018**

(51) **LOC (13) Cl.** **16-01**

(52) **U.S. Cl.**
USPC **D16/202**

(58) **Field of Classification Search**
USPC D16/200, 202–206, 208, 218, 219;
D21/514; 348/373–376; 396/535,
396/539–541
CPC G03B 15/03; G03B 17/02; G03B 17/04;
G03B 17/56; G03B 19/04; H04N 5/2251;
H04N 5/2252; H04N 5/2253; H04N
5/2254; H04N 2101/00
See application file for complete search history.

(56) **References Cited**

U.S. PATENT DOCUMENTS

D522,557 S	*	6/2006	Chen	D16/202
D633,122 S	*	2/2011	Booker	D16/218
D741,388 S	*	10/2015	Register	D16/202
D748,712 S	*	2/2016	Tompkin	D16/218
D777,232 S	*	1/2017	Lillquist	D16/202

D793,463 S	*	8/2017	Houin	D16/202
D839,945 S	*	2/2019	Lenz	D16/218
D855,675 S	*	8/2019	Luo	D16/202
D865,835 S	*	11/2019	Fidler	D16/202
D865,836 S	*	11/2019	Puusaari	D16/202
D867,420 S	*	11/2019	Zhang	D16/202
D868,867 S	*	12/2019	Jean	D16/202
D908,766 S	*	1/2021	He	D16/208

* cited by examiner

Primary Examiner — Ramzi Almatrahi

(74) *Attorney, Agent, or Firm* — Seed Intellectual
Property Law Group LLP

(57) **CLAIM**

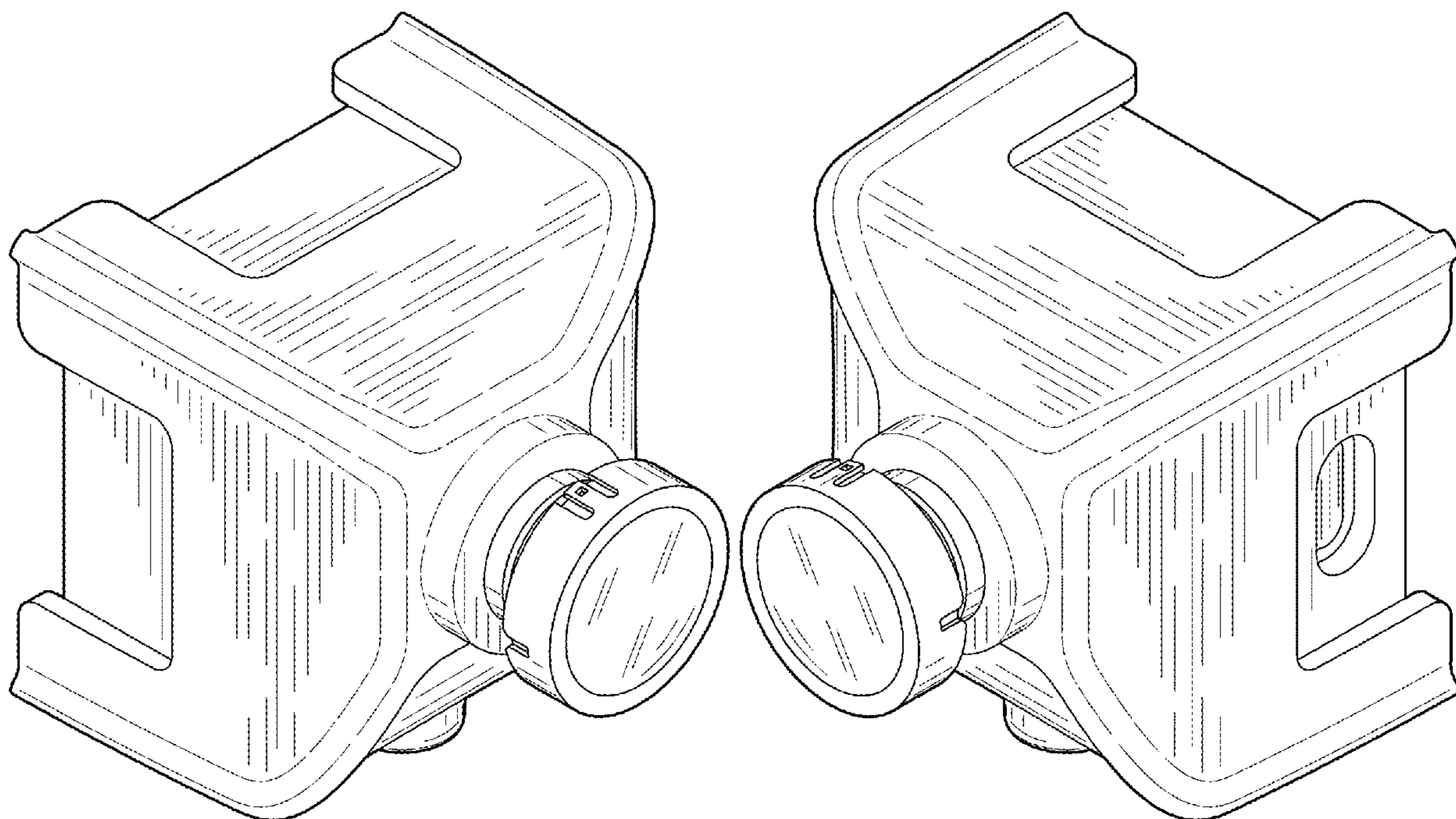
The ornamental design for a camera enclosure, as shown and described.

DESCRIPTION

FIG. 1 is a top, front and right side perspective view of a camera enclosure, showing my new design; FIG. 2 is a top, front and left side perspective view thereof; FIG. 3 is a front elevational view thereof; FIG. 4 is a rear elevational view thereof; FIG. 5 is a right side elevational view thereof; FIG. 6 is a left side elevational view thereof; FIG. 7 is a top plan view thereof; and, FIG. 8 is a bottom plan view thereof.

The broken lines depict portions of the camera enclosure in which the design is embodied that form no part of the claimed design.

1 Claim, 8 Drawing Sheets



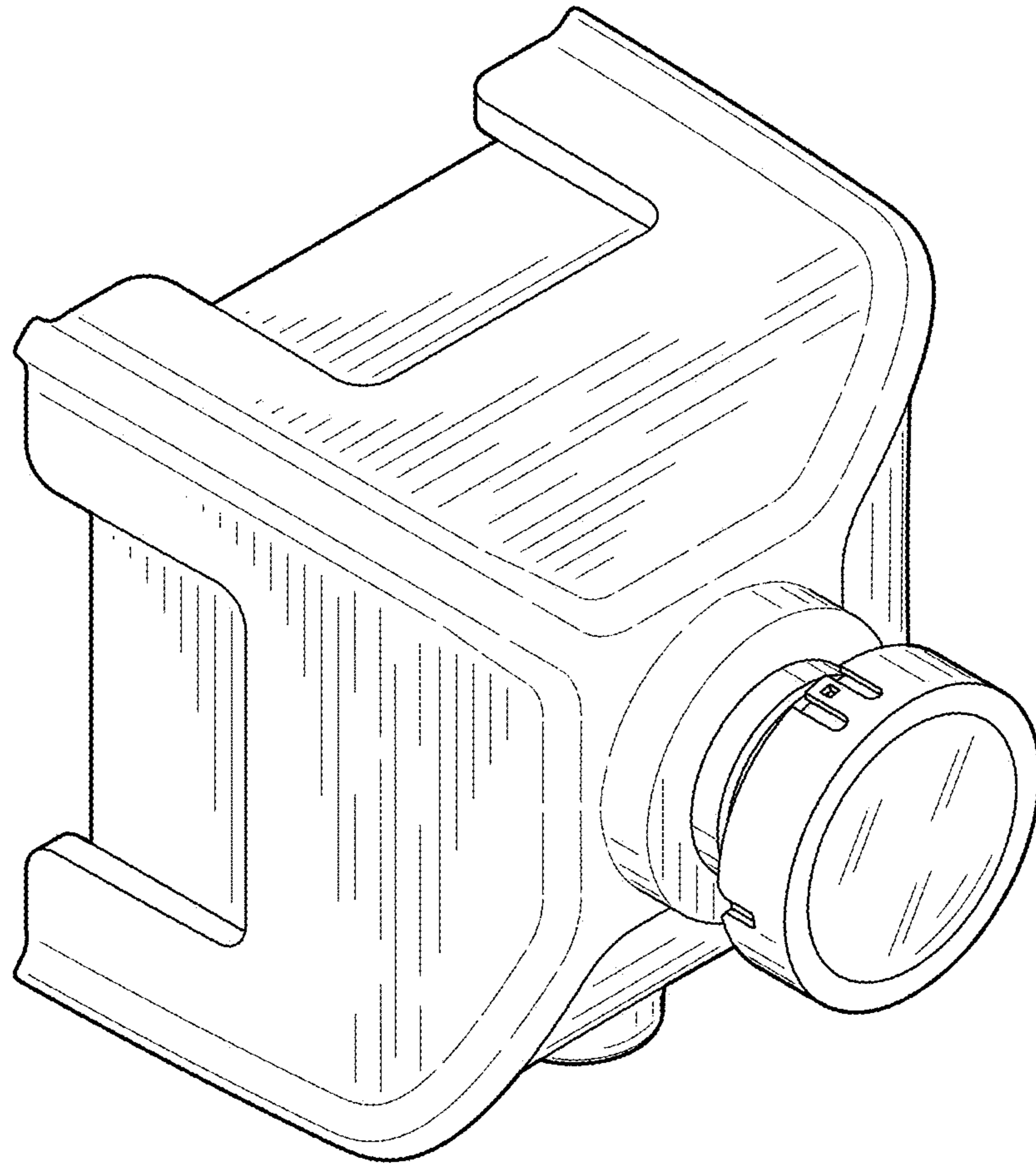


FIG. 1

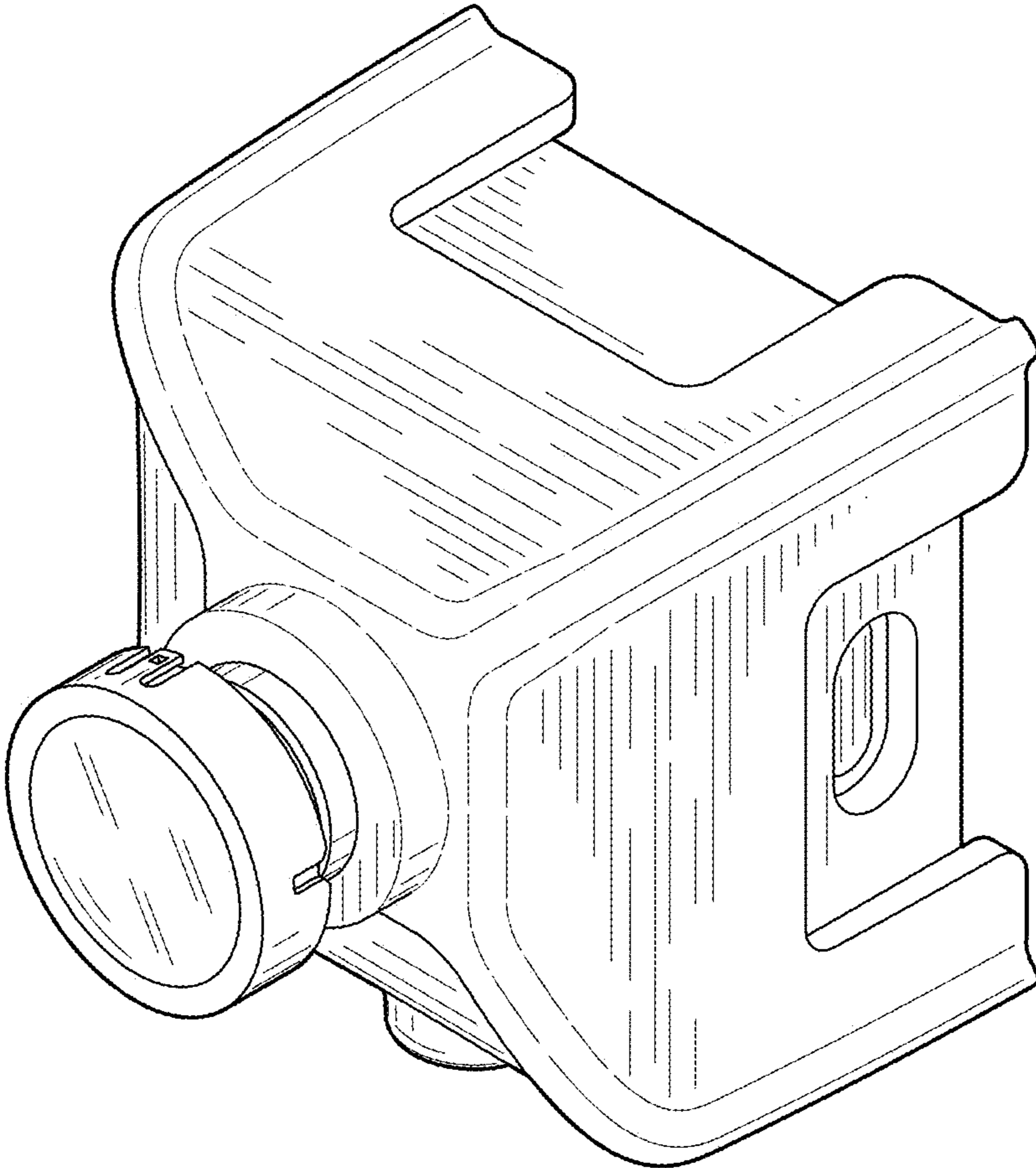


FIG. 2

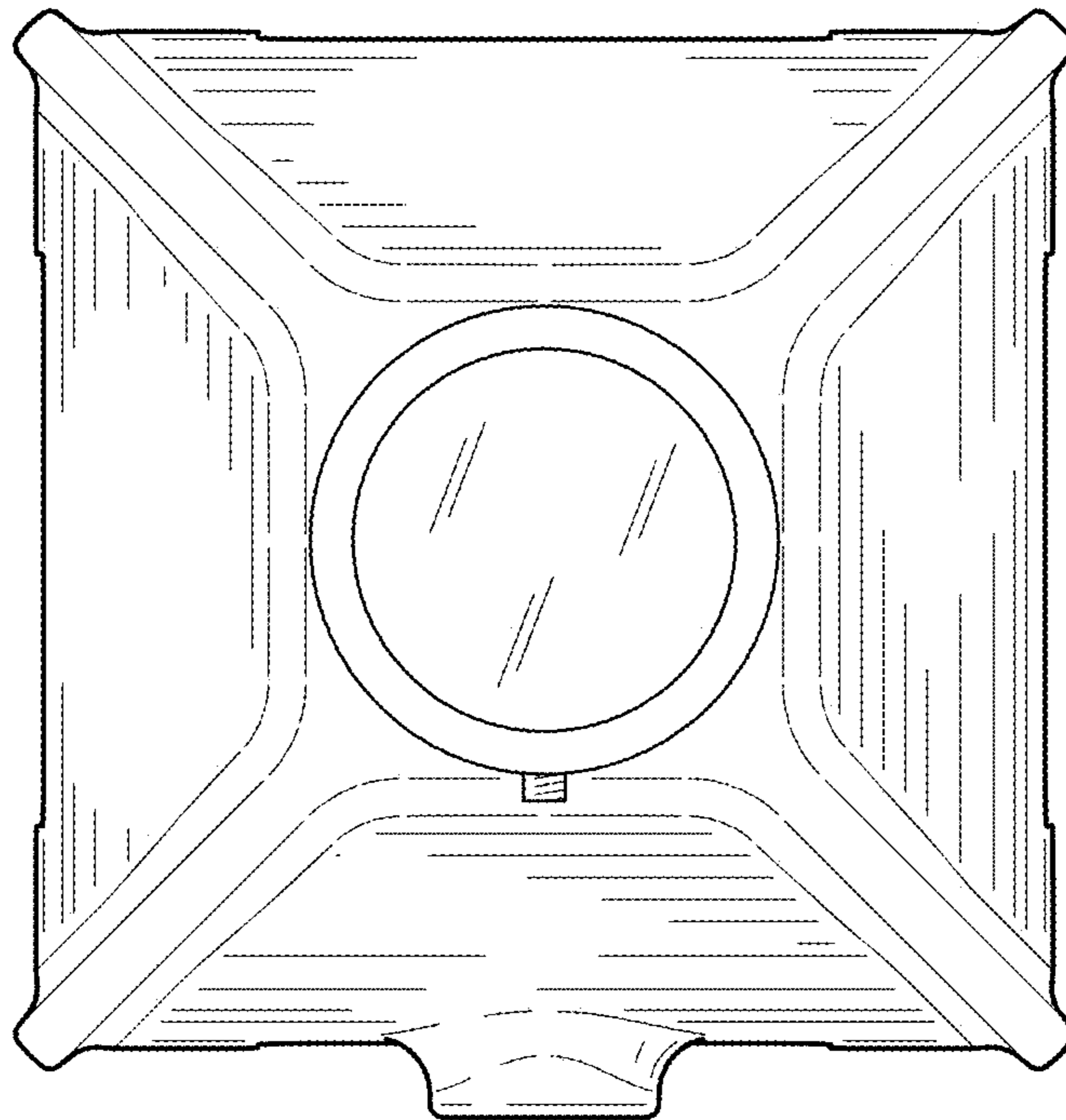


FIG. 3

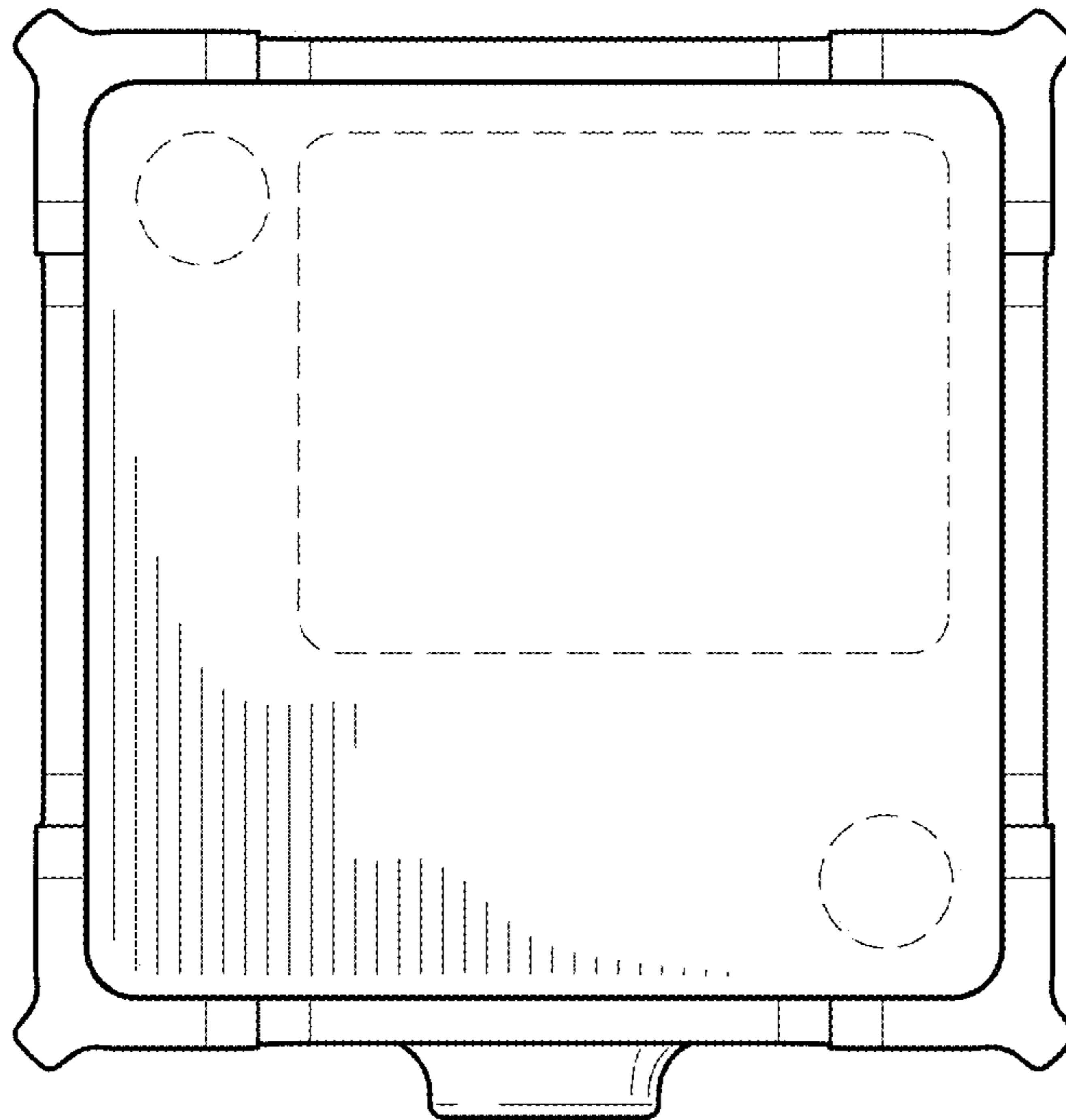


FIG. 4

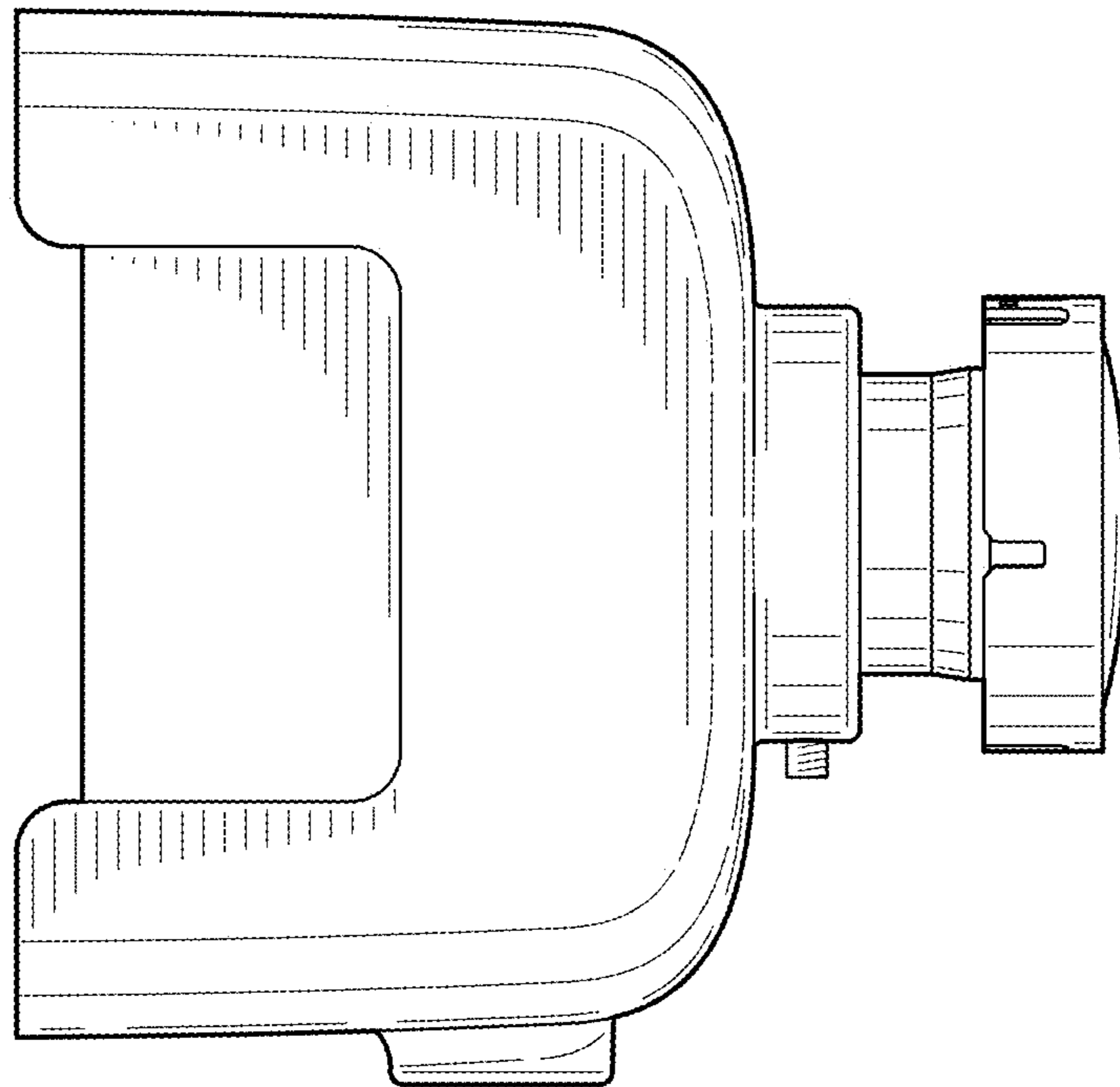


FIG. 5

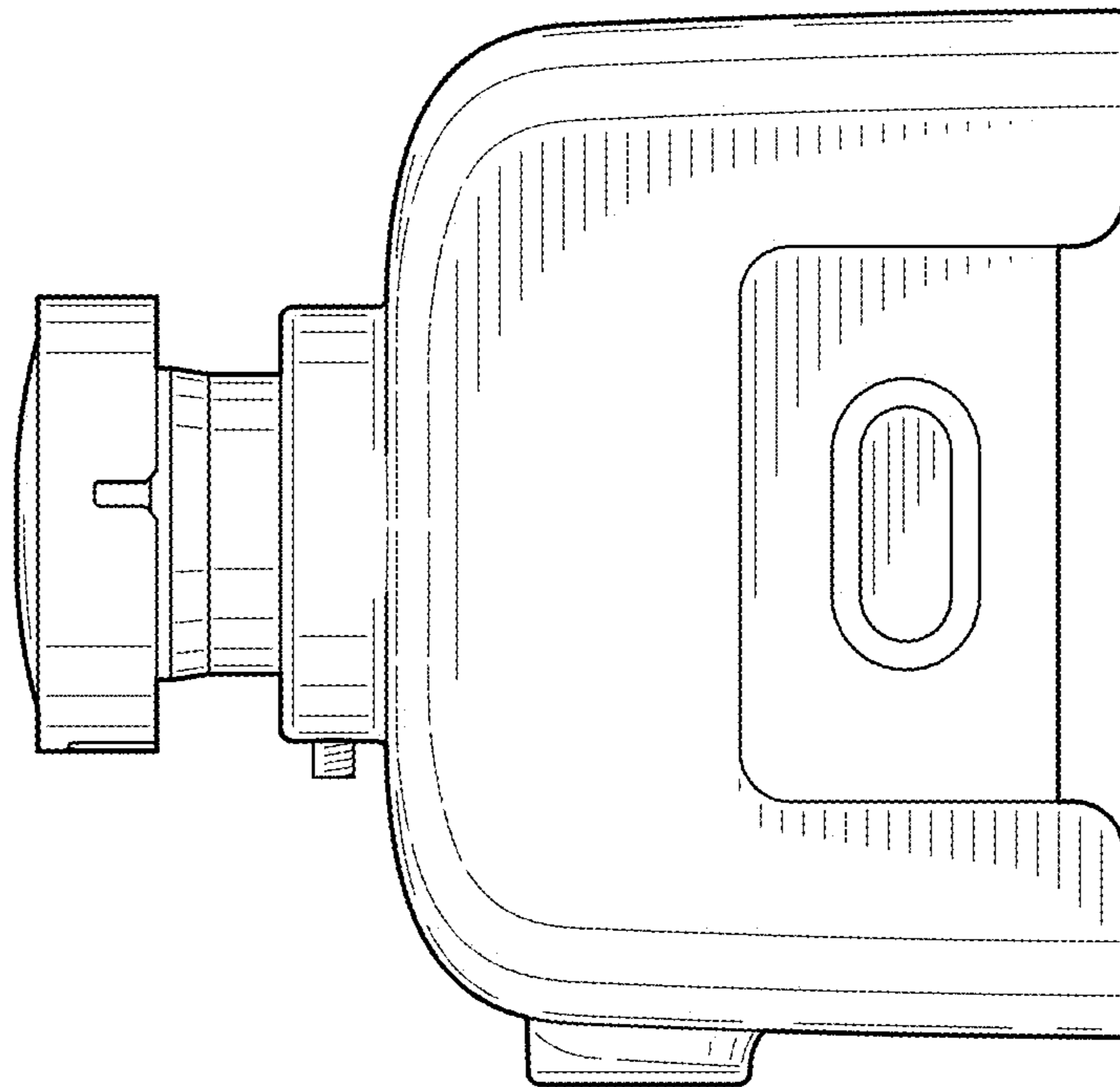


FIG. 6

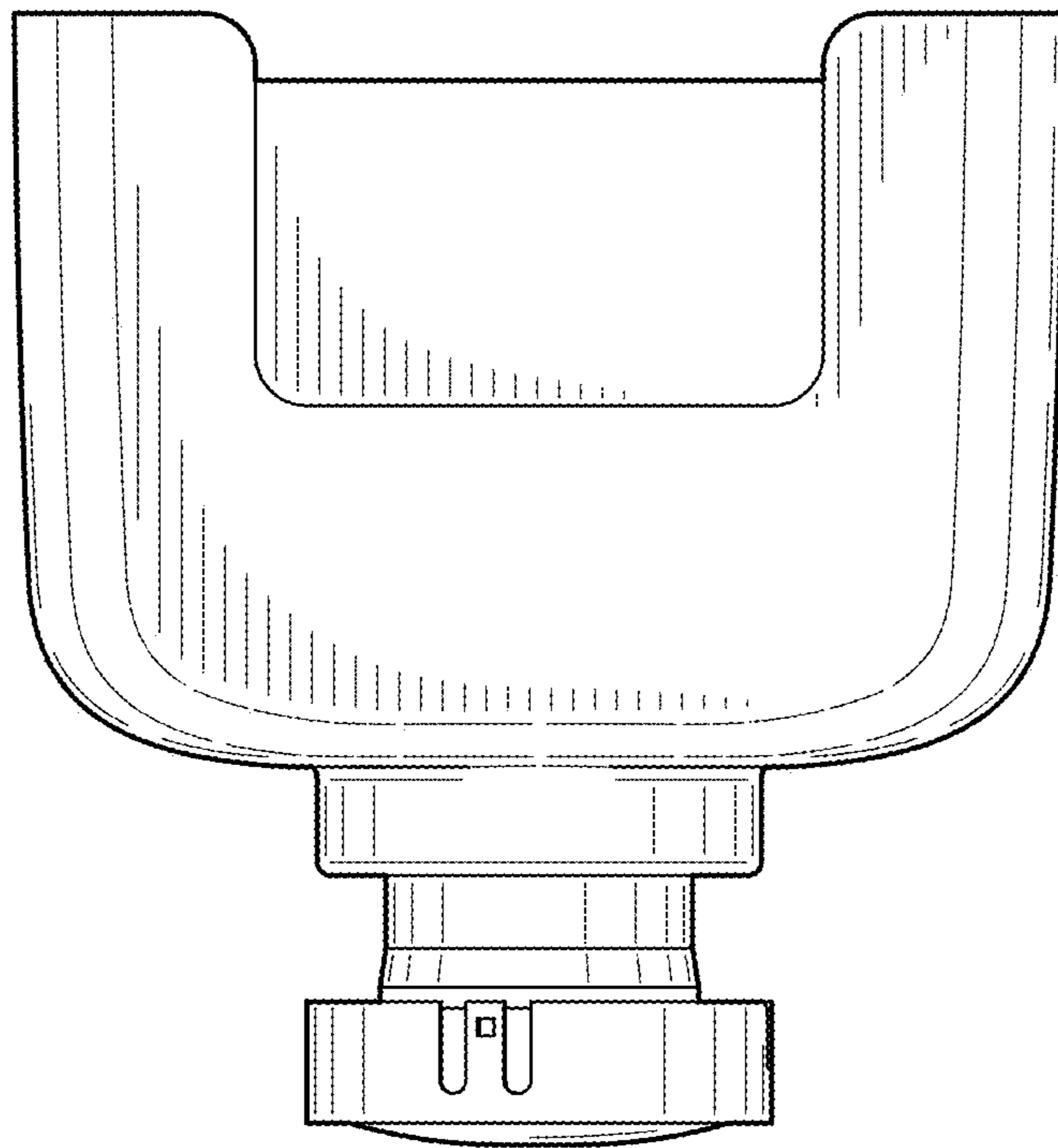


FIG. 7

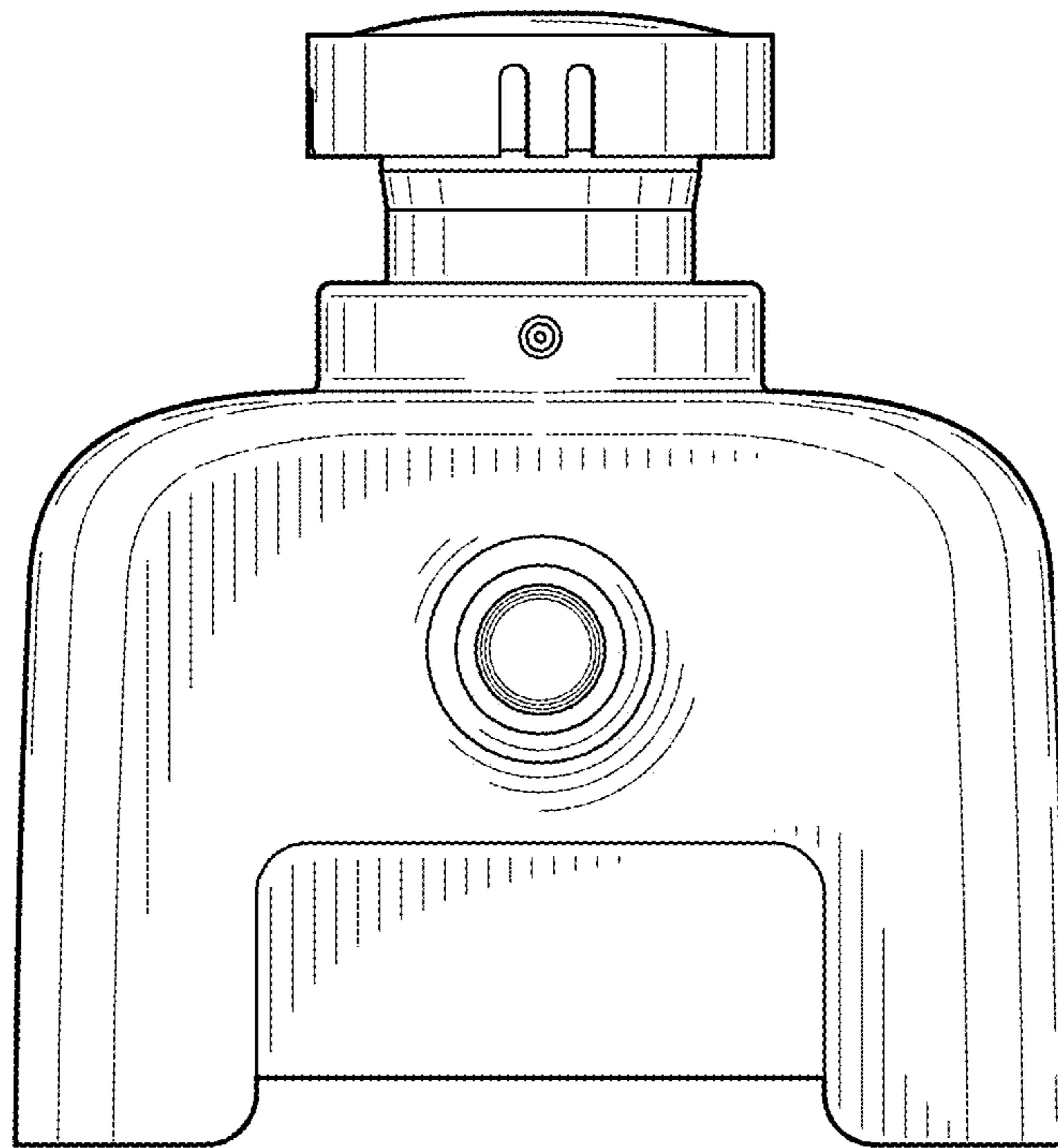


FIG. 8