



US00D941381S

(12) **United States Design Patent**
Wang et al.

(10) **Patent No.:** **US D941,381 S**
(45) **Date of Patent:** **** Jan. 18, 2022**

(54) **ROBOT VEHICLE**

(71) Applicant: **SZ DJI TECHNOLOGY CO., LTD.**,
Shenzhen (CN)

(72) Inventors: **Zhen Wang**, Shenzhen (CN); **Bo Liang**, Shenzhen (CN)

(73) Assignee: **SZ DJI TECHNOLOGY CO., LTD.**,
Shenzhen (CN)

(**) Term: **15 Years**

(21) Appl. No.: **29/778,260**

(22) Filed: **Apr. 12, 2021**

Related U.S. Application Data

(62) Division of application No. 29/684,640, filed on Mar. 22, 2019, now Pat. No. Des. 916,940.

(51) **LOC (13) Cl.** **15-99**

(52) **U.S. Cl.**
USPC **D15/199**

(58) **Field of Classification Search**
USPC D15/199; D21/578–583, 621, 622;
D32/21; D34/34
CPC B25J 5/007; B60B 19/006; B62D 57/024;
H01F 7/0221; Y10S 901/01
See application file for complete search history.

(56) **References Cited**

U.S. PATENT DOCUMENTS

4,137,984 A 2/1979 Jennings et al.
D309,930 S 8/1990 Asaeda
D317,336 S 6/1991 Tsuchiya
5,727,985 A 3/1998 George et al.

D593,616 S 6/2009 Asai
9,375,648 B2 6/2016 Hippely et al.
D762,269 S 7/2016 Lee
D792,524 S 7/2017 Lee
D803,765 S * 11/2017 Bei D12/533
D822,124 S 7/2018 Bei et al.
10,399,616 B2 9/2019 Ellerman et al.
2007/0259599 A1 11/2007 Swisher et al.
2008/0184840 A1 8/2008 Novoplanski et al.
2012/0322341 A1 12/2012 Benedict et al.
2014/0031977 A1 1/2014 Goldenberg et al.
2015/0224640 A1 8/2015 Vu et al.

* cited by examiner

Primary Examiner — Patricia A Palasik

(74) *Attorney, Agent, or Firm* — Anova Law Group, PLLC

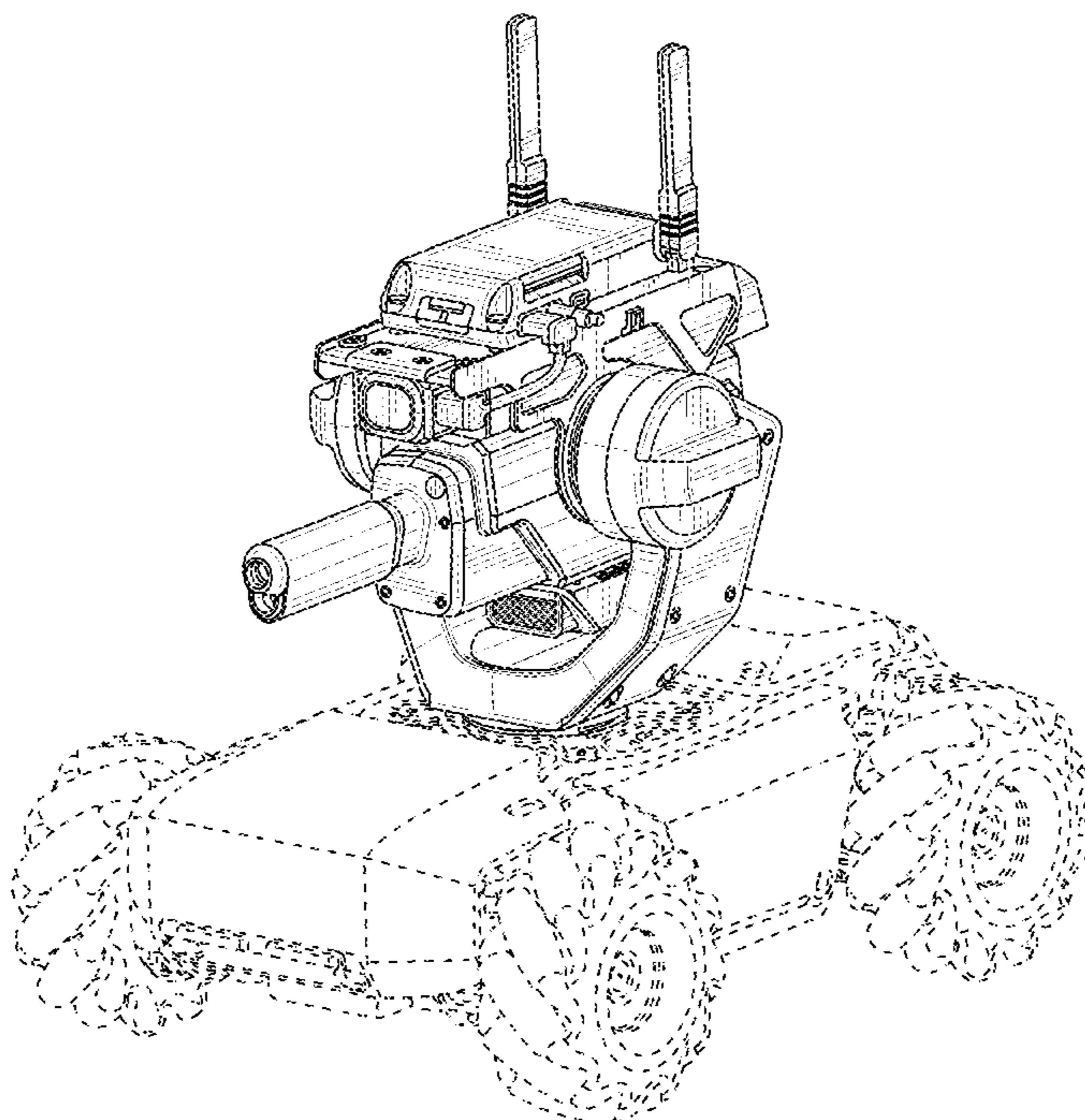
(57) **CLAIM**

The ornamental design for a robot vehicle, as shown and described.

DESCRIPTION

FIG. 1 is a perspective view of a robot vehicle in accordance with the present disclosure;
FIG. 2 is a front view of the robot vehicle shown in FIG. 1;
FIG. 3 is a back view of the robot vehicle shown in FIG. 1;
FIG. 4 is a right view of the robot vehicle shown in FIG. 1;
FIG. 5 is a left view of the robot vehicle shown in FIG. 1;
FIG. 6 is a top view of the robot vehicle shown in FIG. 1;
and,
FIG. 7 is a bottom view of the robot vehicle shown in FIG. 1.
The broken lines in the figures show portions of the robot vehicle that form no part of the claimed design.

1 Claim, 7 Drawing Sheets



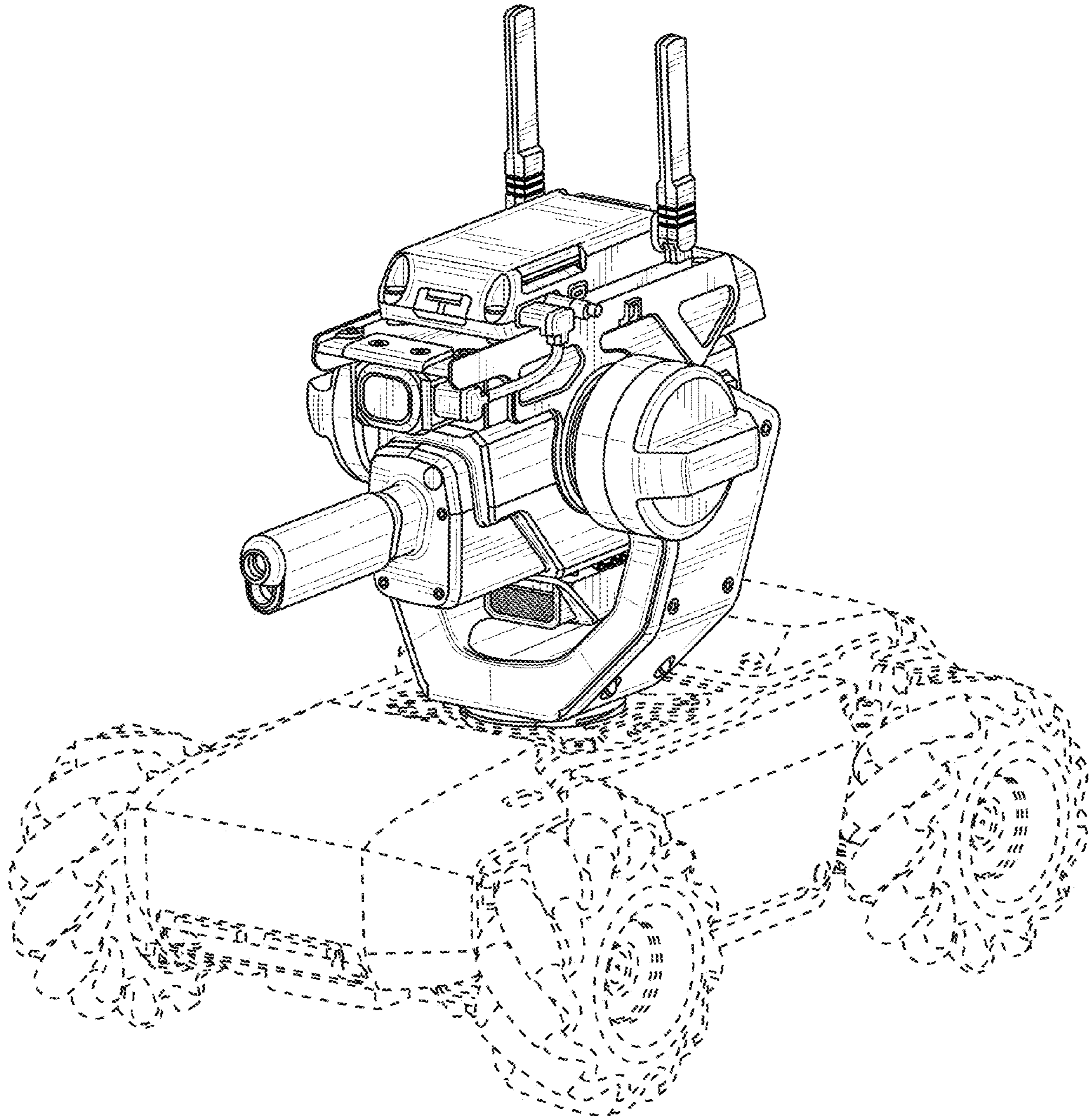


FIG. 1

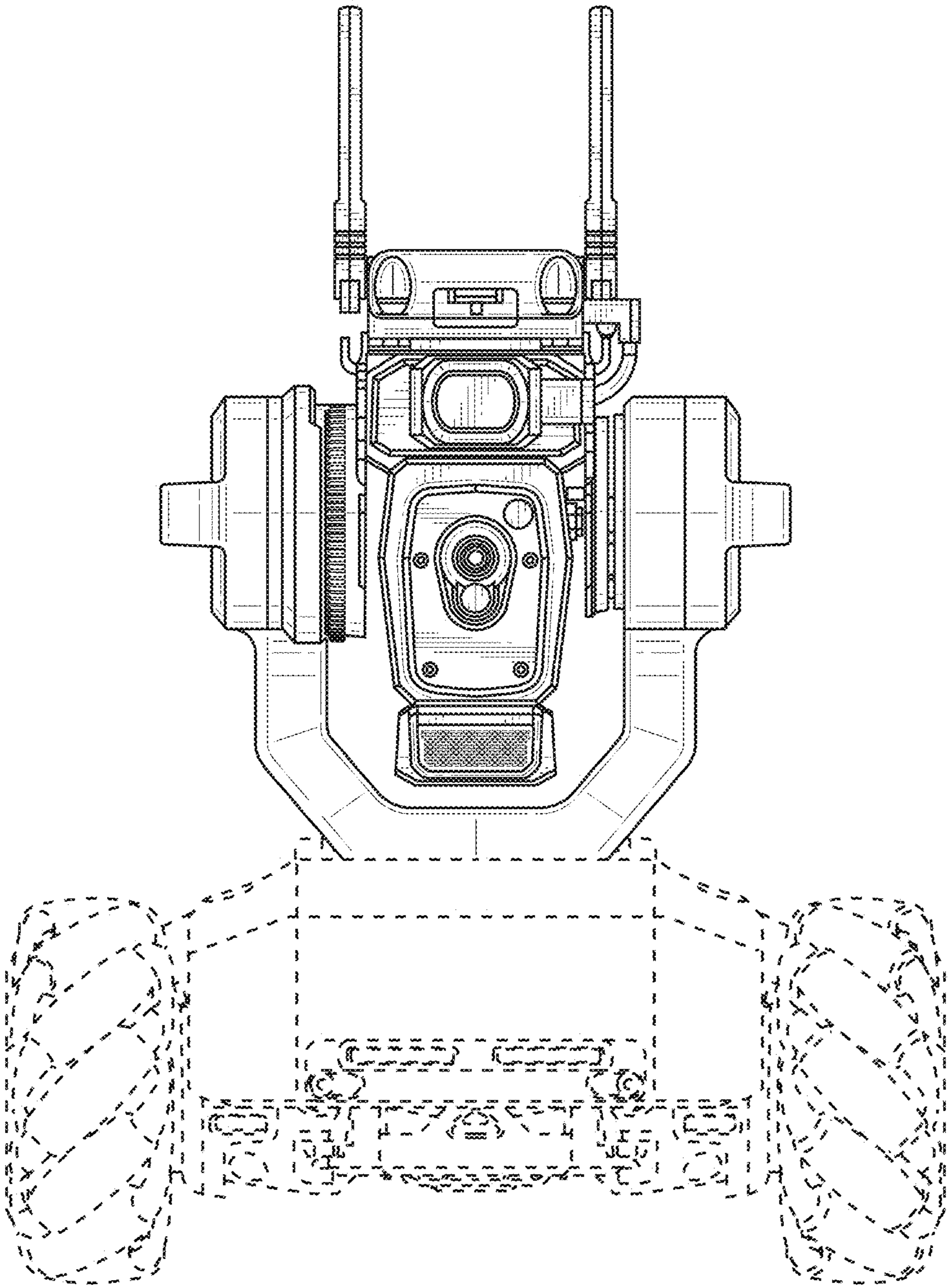


FIG. 2

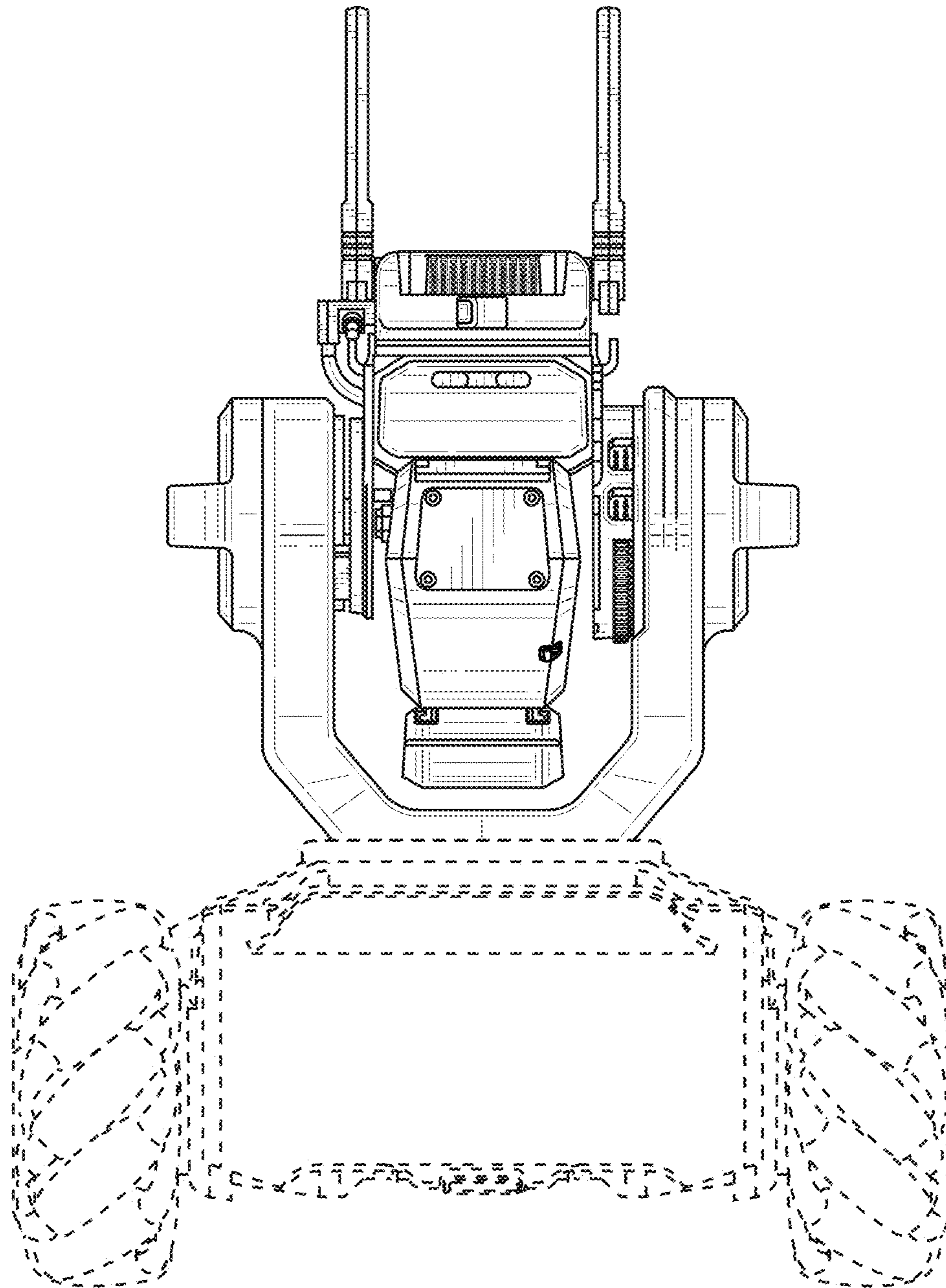


FIG. 3

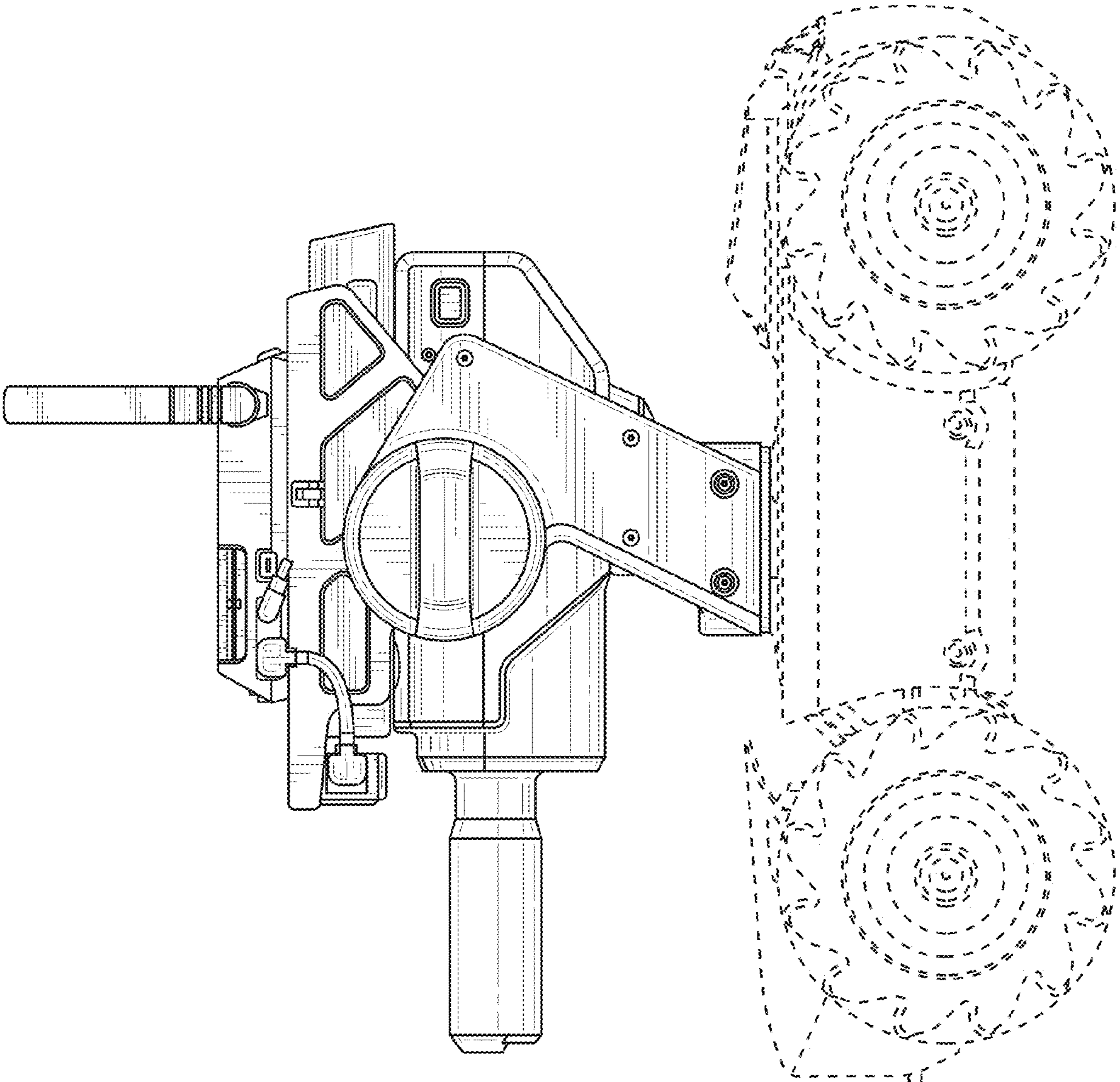


FIG. 4

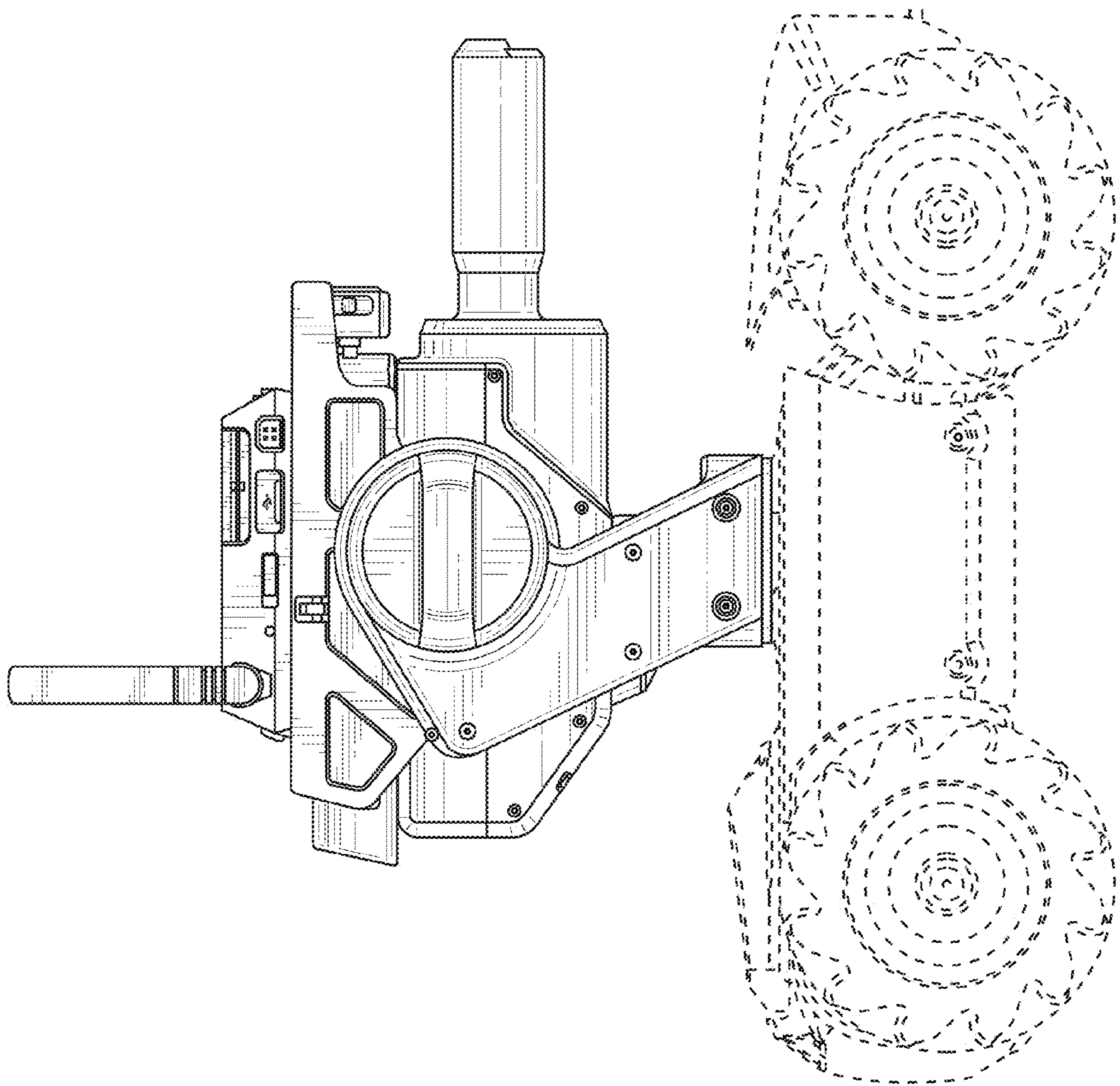


FIG. 5

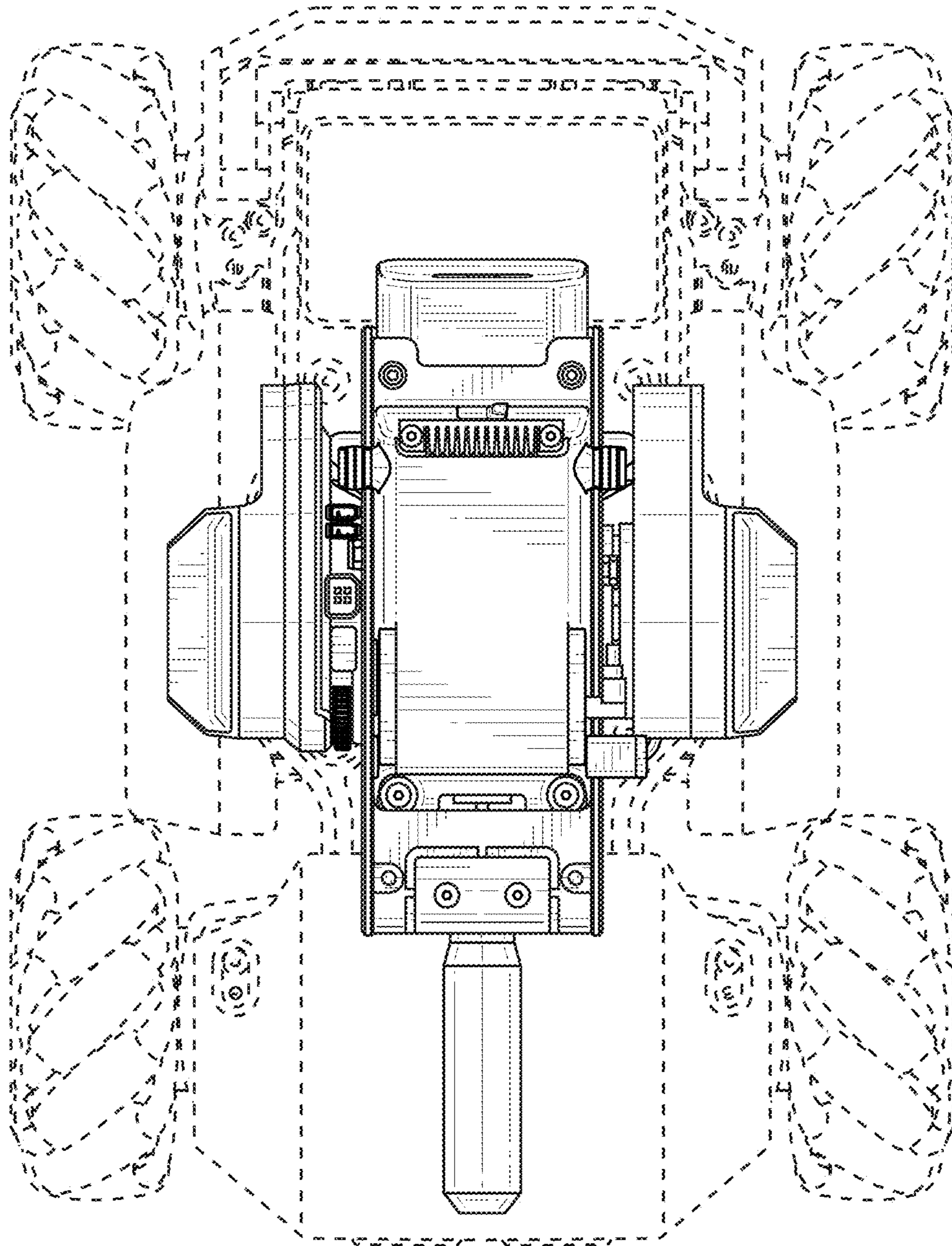


FIG. 6

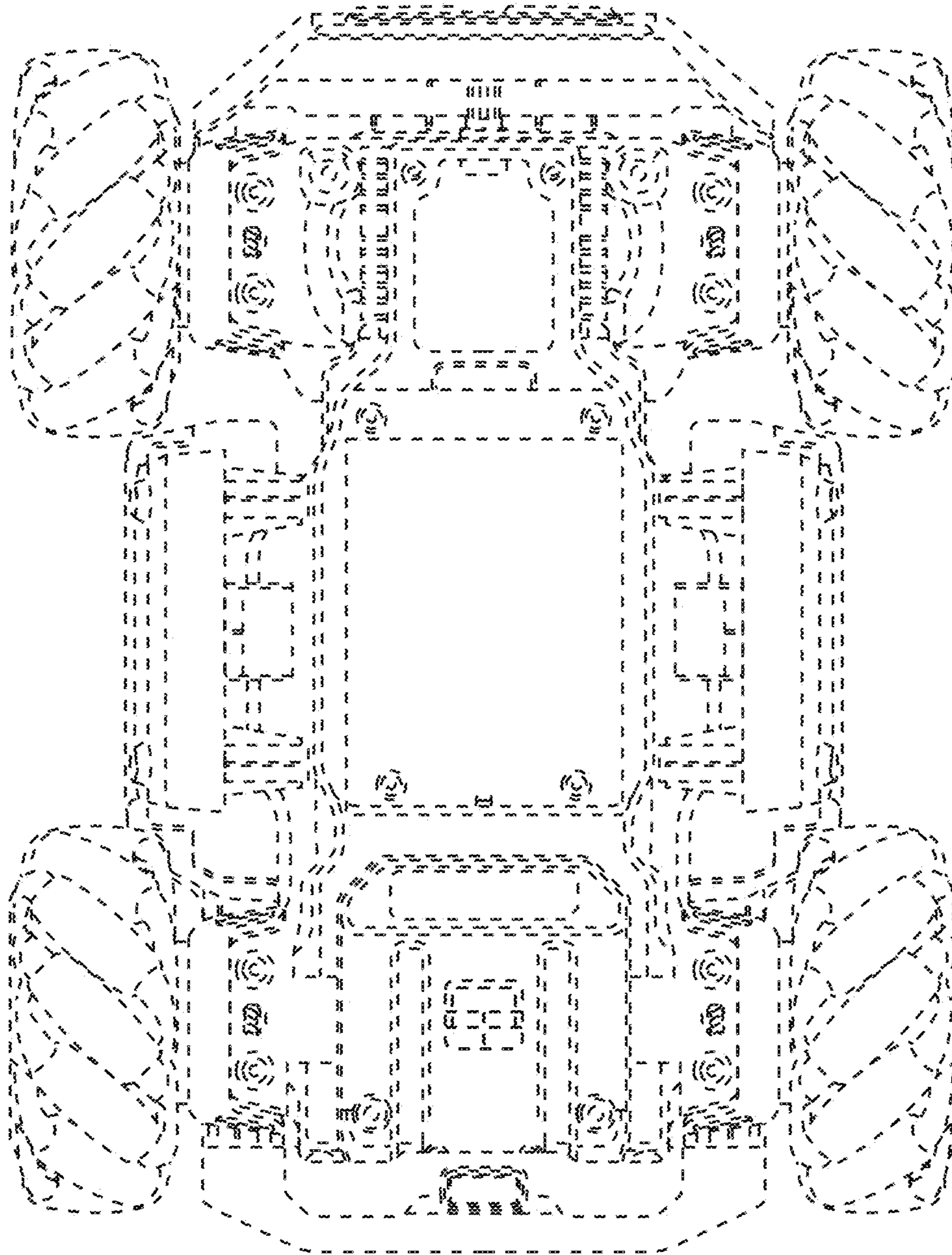


FIG. 7