



US00D941377S

(12) **United States Design Patent** (10) **Patent No.:** **US D941,377 S**
Avent (45) **Date of Patent:** **** Jan. 18, 2022**

(54) **FEMALE INSULATOR CAP FOR USE WITH A WELDER TERMINAL LEAD**

(71) Applicant: **William Avent**, Alpena, MI (US)

(72) Inventor: **William Avent**, Alpena, MI (US)

(**) Term: **15 Years**

(21) Appl. No.: **29/801,564**

(22) Filed: **Jul. 29, 2021**

D582,951 S *	12/2008	Yamaguchi	D15/144
D654,104 S *	2/2012	Fitzpatrick	D15/144
D654,939 S *	2/2012	Furujo	D15/144
D667,857 S *	9/2012	Hidaka	D15/144
D681,706 S *	5/2013	Savill, Jr.	D15/144
D690,336 S *	9/2013	Gjertsen	D15/144
D714,372 S *	9/2014	Savill, Jr.	D15/144
D719,200 S *	12/2014	Hassan	D15/144
D720,784 S *	1/2015	Hassan	D15/144
D721,111 S *	1/2015	Hassan	D15/144
D726,794 S *	4/2015	Kang	H01T 13/20 D15/144.2
D728,647 S *	5/2015	Savill, Jr.	D15/144
D728,649 S *	5/2015	Hassan	D15/144
D733,776 S *	7/2015	Buttiker	H01T 13/02 D15/144

Related U.S. Application Data

(62) Division of application No. 29/732,174, filed on Apr. 22, 2020.

(51) **LOC (13) Cl.** **15-09**

(52) **U.S. Cl.**
USPC **D15/144**

(58) **Field of Classification Search**
USPC D8/14, 22, 25, 29, 29.1, 30, 40, 59, 74,
D8/88, 106, 300, 309, 343, 373;
D15/122, 138, 144, 144.1, 144.2;
D23/223, 263

CPC B23K 11/3018; B23K 35/0205; B23K
35/0261; B23K 35/222; B23K 35/32

See application file for complete search history.

(56) **References Cited**

U.S. PATENT DOCUMENTS

D346,821 S *	5/1994	Smith	347/88
D365,345 S *	12/1995	Carkhuff	D15/144
D384,682 S *	10/1997	Turner	D15/144
D414,788 S *	10/1999	Shintani	D15/144
D417,459 S *	12/1999	Shintani	D15/144
D446,795 S *	8/2001	Shintani	D15/144
D492,709 S *	7/2004	Horner-Richardson	D15/144
D580,960 S *	11/2008	Yamaguchi	D15/144
D582,950 S *	12/2008	Yamaguchi	D15/144

(Continued)

Primary Examiner — Michael C Stout

Assistant Examiner — Fritzgerald L Butac

(74) *Attorney, Agent, or Firm* — Dinsmore & Shohl LLP

(57) **CLAIM**

The ornamental design for female insulator cap for use with a welder terminal lead, as shown and described.

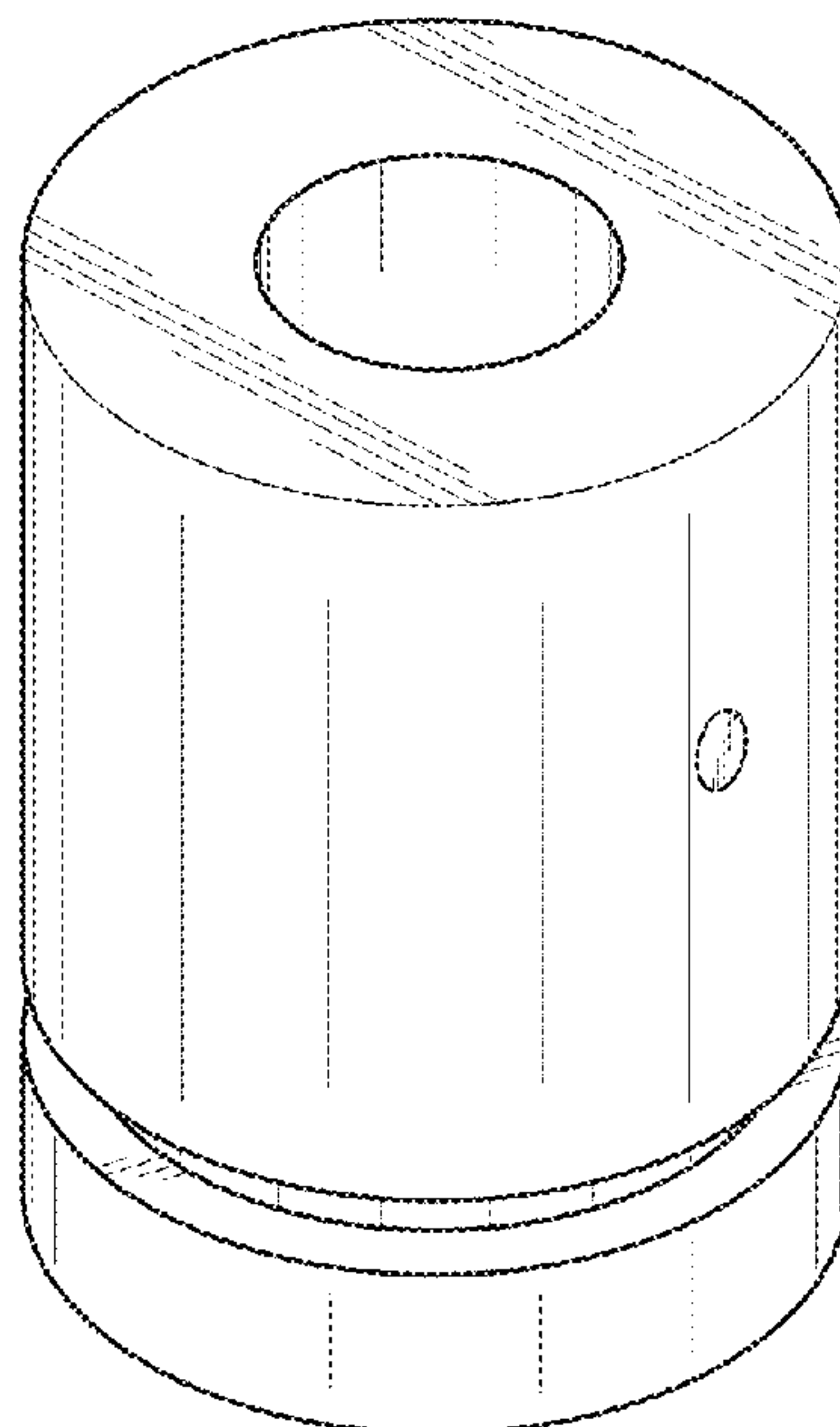
DESCRIPTION

FIG. 1 is a perspective view of a female insulator cap according to the present design;
FIG. 2 is a front view of the female insulator cap of FIG. 1;
FIG. 3 is a rear view of the female insulator cap of FIG. 1;
FIG. 4 is a right side view of the female insulator cap of FIG. 1;

FIG. 5 is a left side view of the insulator cap of FIG. 1;
FIG. 6 is a top view of the insulator cap of FIG. 1; and,
FIG. 7 is a bottom view of the insulator cap of FIG. 1.

The broken lines shown in the drawings are included for the purpose of illustrating environmental structure and form no part of the claimed design.

1 Claim, 2 Drawing Sheets



(56)

References Cited

U.S. PATENT DOCUMENTS

D735,787	S	*	8/2015	Hassan	D15/144
D744,560	S	*	12/2015	Hassan	D15/144
D747,377	S	*	1/2016	Hassan	D15/144
D748,173	S	*	1/2016	Hassan	D15/144
D748,174	S	*	1/2016	Hassan	D15/144
D759,137	S	*	6/2016	Hassan	D15/144
D763,816	S	*	8/2016	Hassan	D15/144
D763,935	S	*	8/2016	Hassan	D15/144
D776,177	S	*	1/2017	Namburu	D15/144
D776,730	S	*	1/2017	Yamaguchi	D15/144
D777,812	S	*	1/2017	Namburu	D15/144
D784,432	S	*	4/2017	Yamaguchi	D15/144
D809,579	S	*	2/2018	Buss	D15/144
D835,692	S	*	12/2018	Susin	D15/144
D846,009	S	*	4/2019	Takemura	D15/144
D846,610	S	*	4/2019	Kodama	D15/144
D852,856	S	*	7/2019	Beagen	D15/144
D858,229	S	*	9/2019	Willey	D8/14
D861,758	S	*	10/2019	Severance, Jr.	D15/144
D881,243	S	*	4/2020	Hidaka	D15/144
D908,150	S	*	1/2021	Swank	D15/144

* cited by examiner

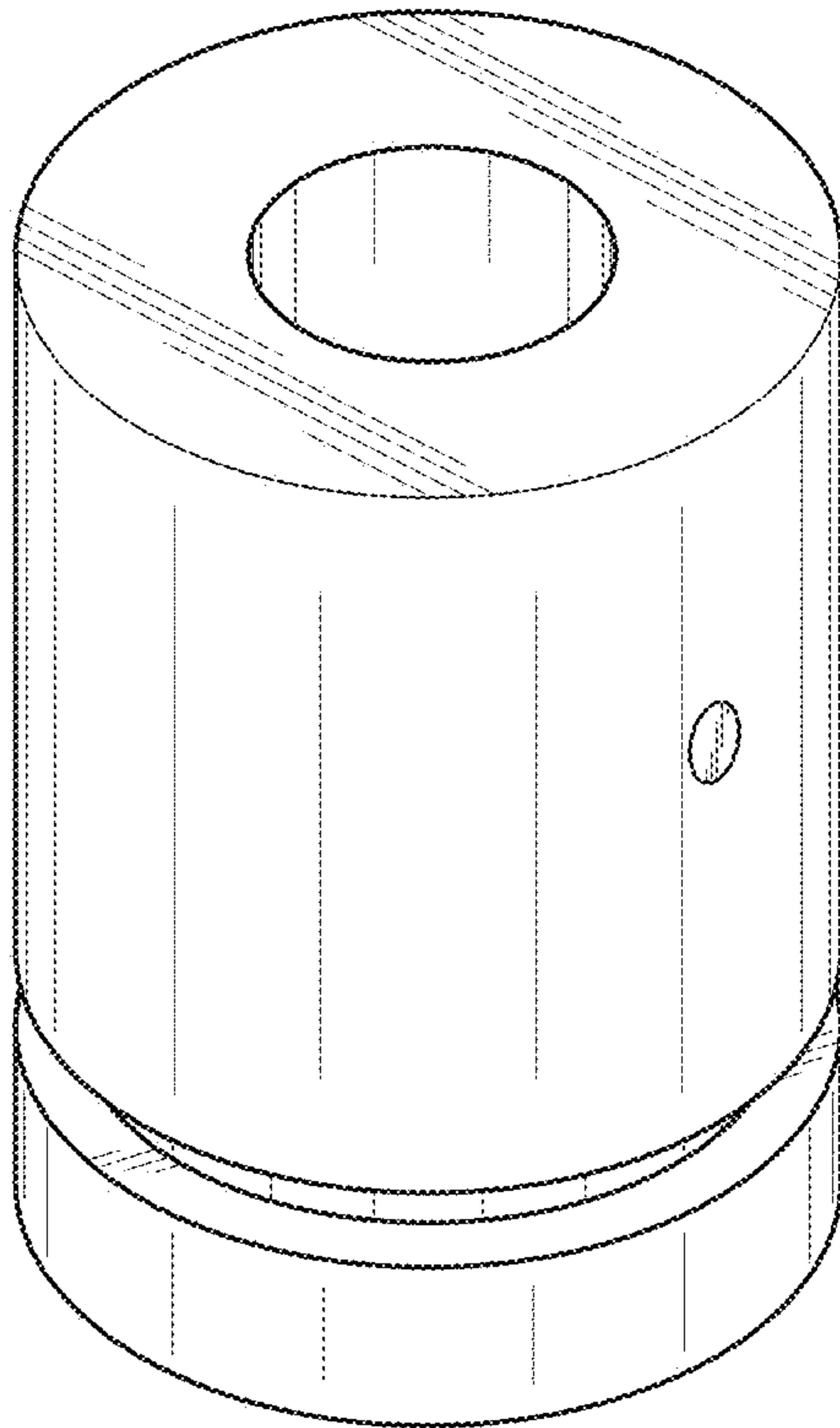


FIG. 1

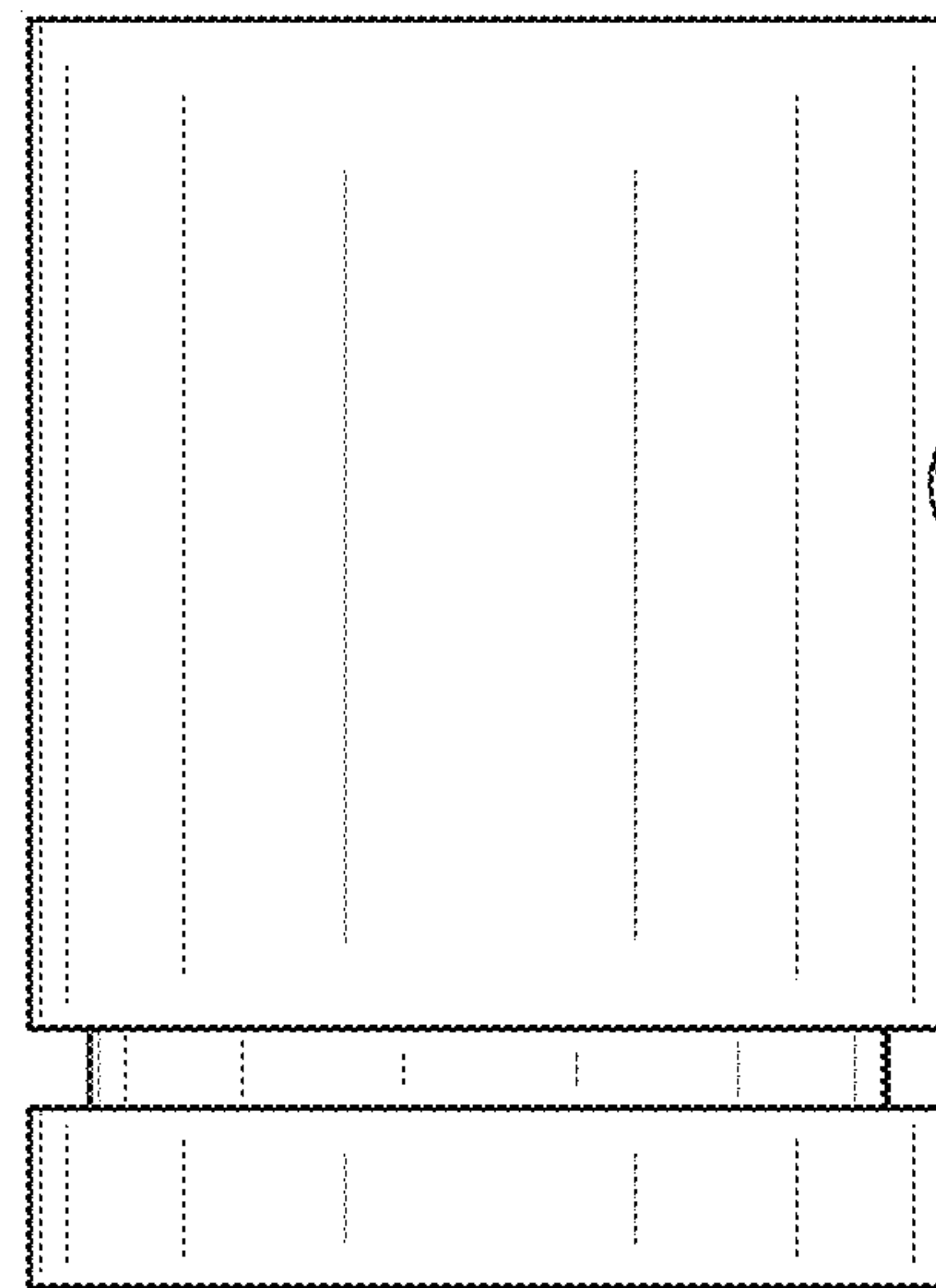


FIG. 2

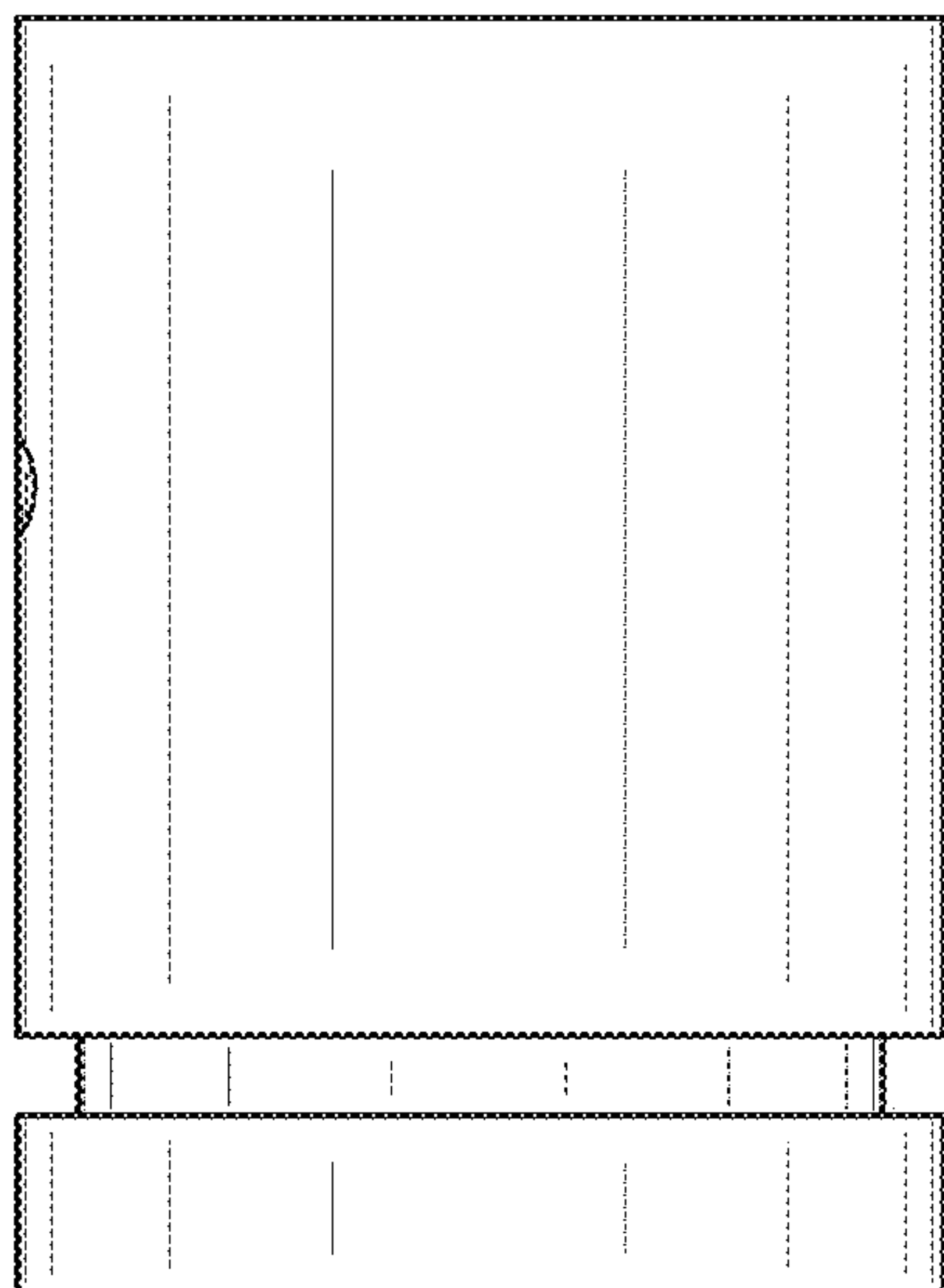


FIG. 3

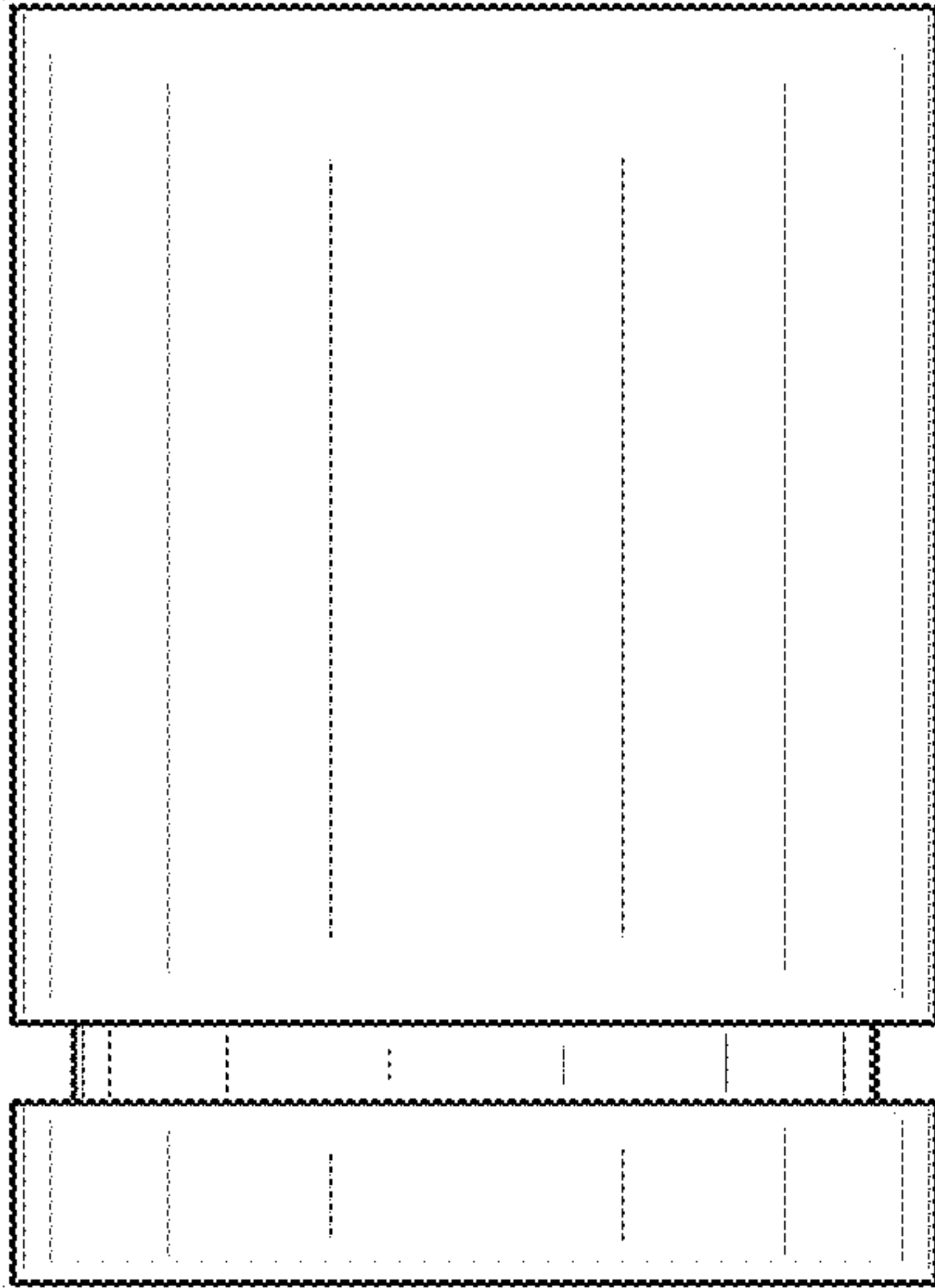


FIG. 4

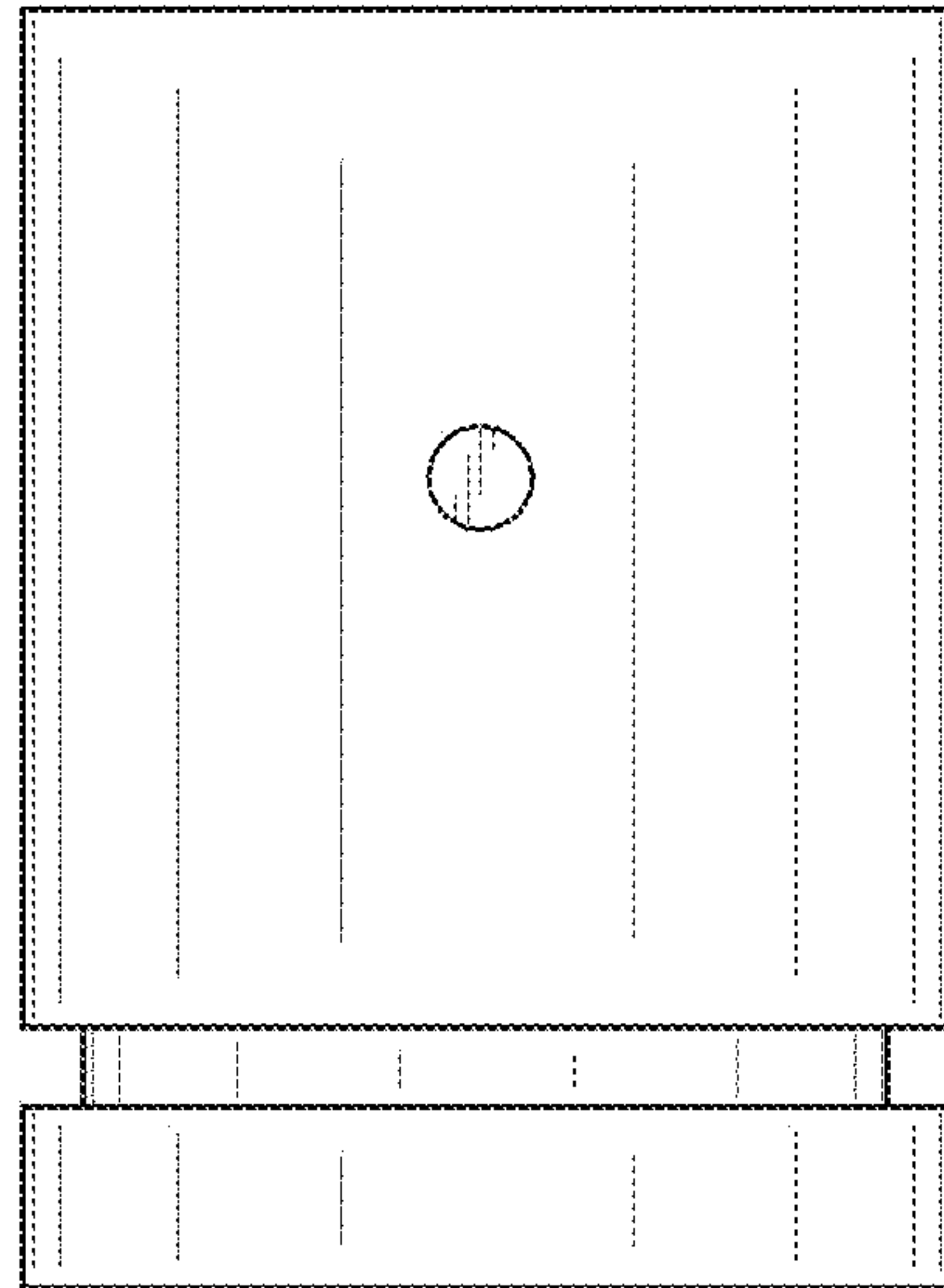


FIG. 5

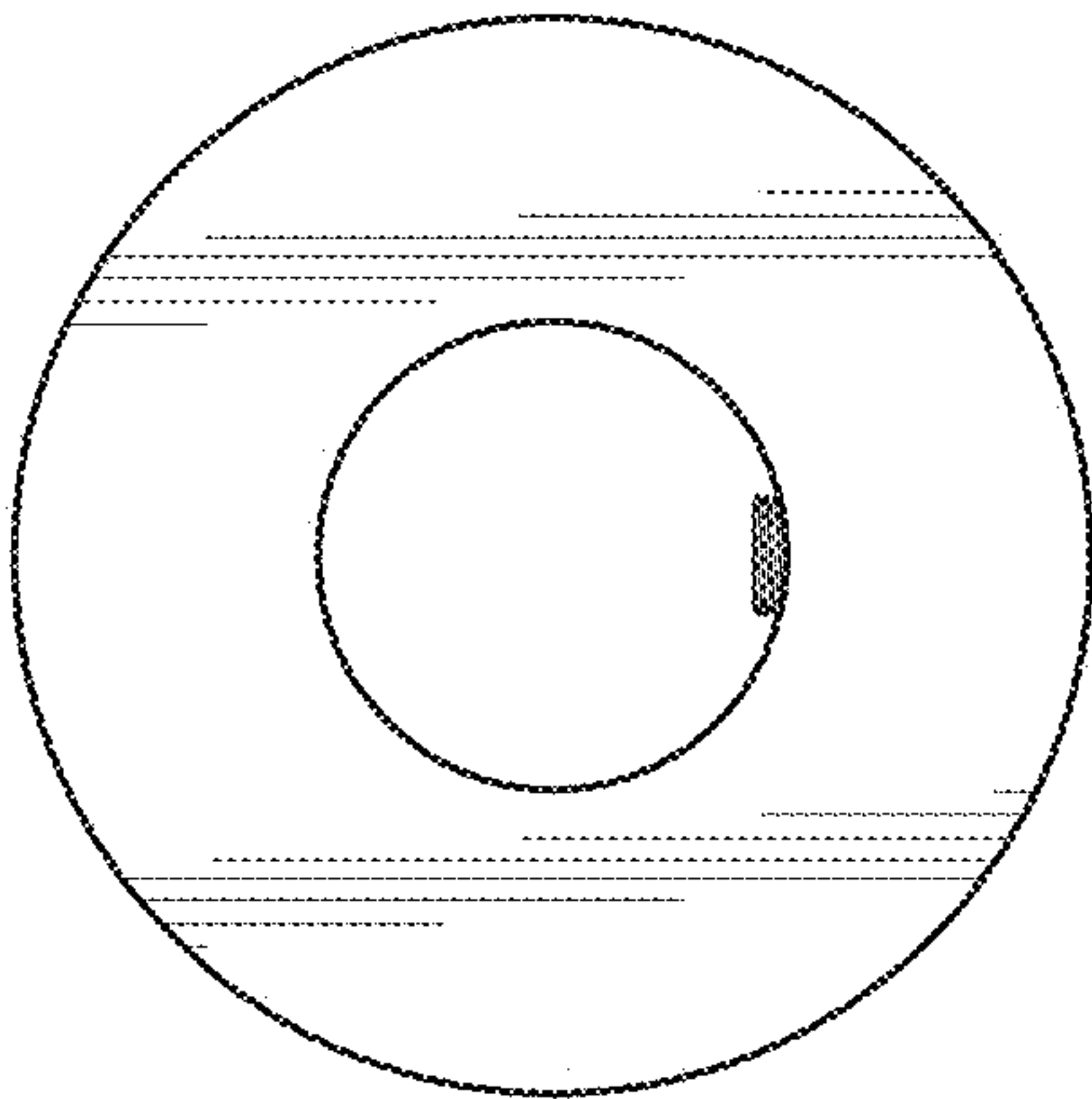


FIG. 6

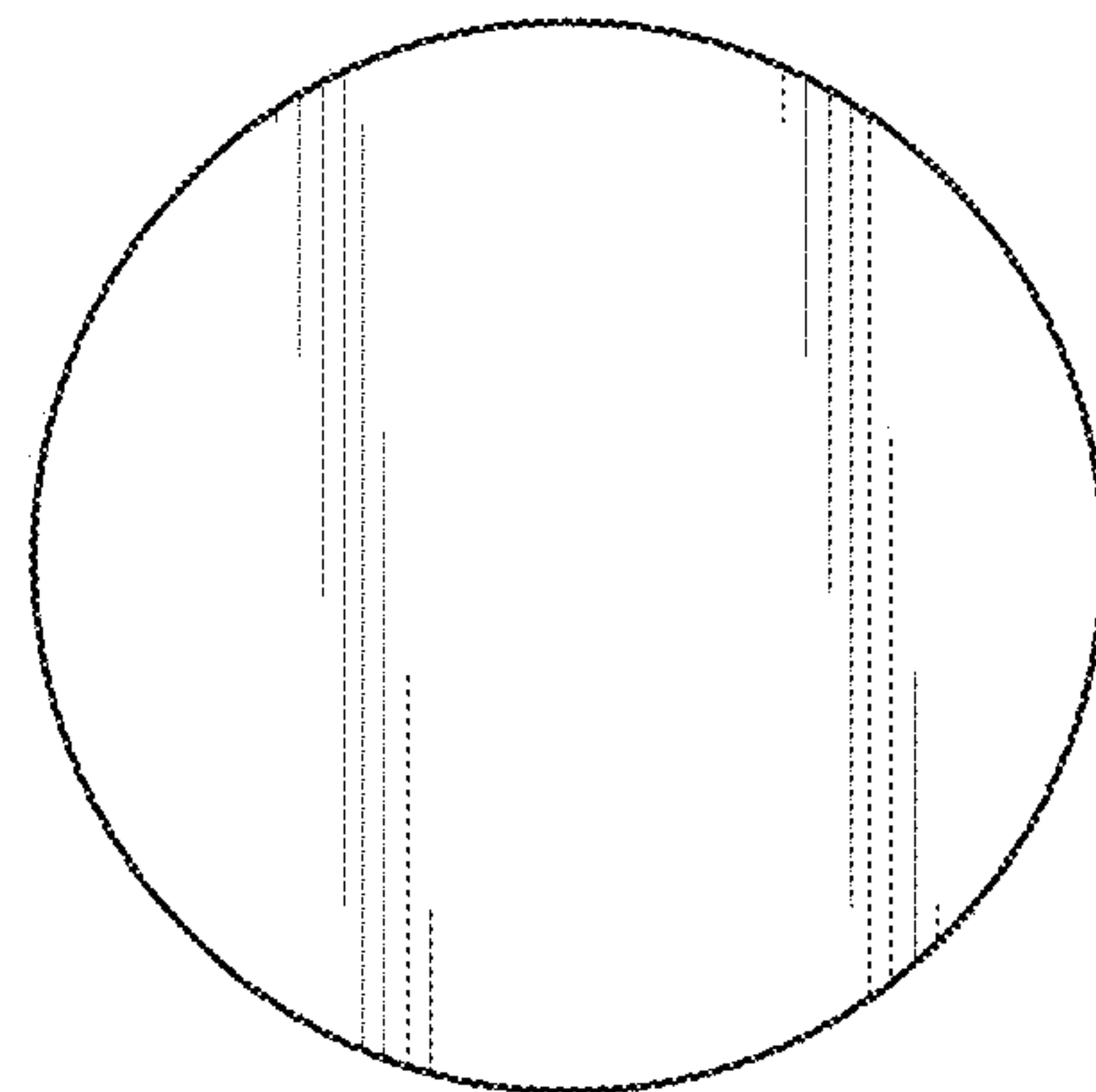


FIG. 7