

US00D941374S

(12) **United States Design Patent** (10) **Patent No.:** **US D941,374 S**
Holliday et al. (45) **Date of Patent:** **** Jan. 18, 2022**

(54) **FINISHER TOOL**
(71) Applicant: **KYOCERA SGS PRECISION TOOLS, INC.**, Munroe Falls, OH (US)
(72) Inventors: **Ian Edward Holliday**, Basingstoke (GB); **Emil Dobosz**, Wokingham (GB); **Barry Leslie Ward**, Wokingham (GB); **Antony James Theaker**, Leeds (GB); **David Cawkwell**, Wokingham (GB)
(73) Assignee: **KYOCERA SGS PRECISION TOOLS, INC.**, Munroe Falls, OH (US)

(**) Term: **15 Years**
(21) Appl. No.: **29/728,076**
(22) Filed: **Mar. 16, 2020**
(51) **LOC (13) Cl.** **15-09**
(52) **U.S. Cl.**
USPC **D15/139**
(58) **Field of Classification Search**
USPC D8/70, 71; D15/21, 28, 126, 131, 132, D15/138, 139
CPC B23B 51/02; B23B 51/048; E01C 23/088; Y10T 407/23
See application file for complete search history.

(56) **References Cited**
U.S. PATENT DOCUMENTS
D183,237 S * 7/1958 Aven et al. D15/139
D265,205 S * 6/1982 Munson D15/139
D273,682 S * 5/1984 Lassiter D15/139
D307,020 S * 4/1990 Lyng D15/139
D308,874 S * 6/1990 Tsujimura 407/40
D340,248 S * 10/1993 Brady D15/139
D404,044 S * 1/1999 Arfele D15/139
5,899,642 A * 5/1999 Berglow B23B 31/11
407/40
6,077,002 A 6/2000 Lowe
D514,131 S * 1/2006 Brady D15/139

D529,937 S * 10/2006 Brady D15/139
D533,202 S * 12/2006 Yanagimoto D15/139
D662,529 S * 6/2012 Kirby D15/139
8,807,881 B2 8/2014 Itoh et al.
8,973,264 B2 3/2015 Barnat et al.
9,623,492 B2 4/2017 Capriotti et al.
2005/0015983 A1 1/2005 Mantel
2010/0025121 A1* 2/2010 Schwefe E21B 10/43
175/431
2010/0178119 A1 7/2010 Volokh et al.
2012/0205163 A1* 8/2012 Azar E21B 10/567
175/428
2013/0149063 A1 6/2013 Charlesworth
(Continued)

OTHER PUBLICATIONS

International Search Report and Written Opinion for Application No. PCT/US2018/057733 International File Date Oct. 26, 2018. KYOCERA SGS Precision Tools, Inc. Applicant. dated Jan. 4, 2019. Authorized Officer Lee W. Young. 10 pages. Forms PCT/ISA/220, 210 and 237.

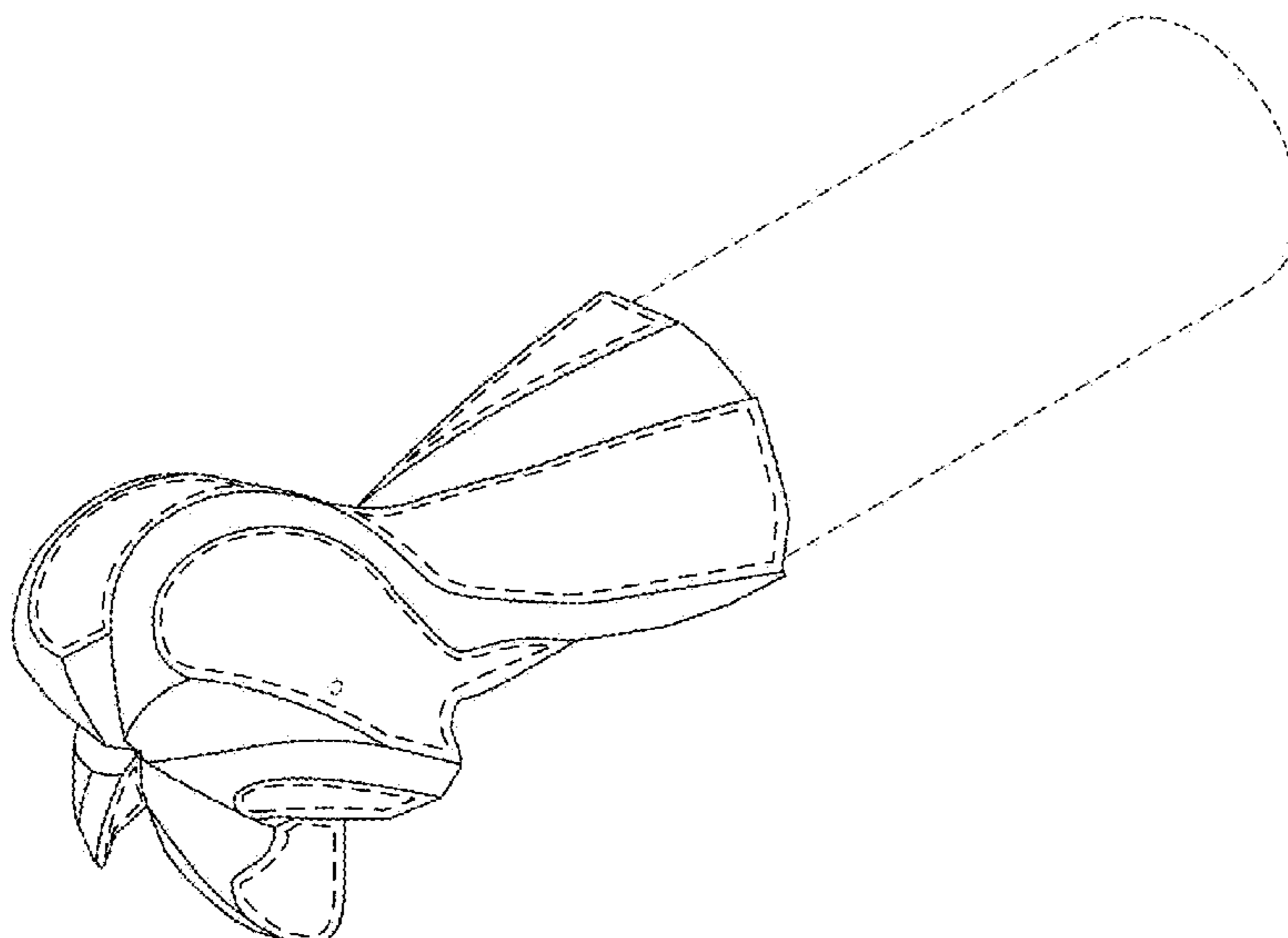
Primary Examiner — Patricia A Palasik
(74) *Attorney, Agent, or Firm* — Vorys, Sater, Seymour and Pease LLP

(57) **CLAIM**
The ornamental design for a finisher tool, as shown and described.

DESCRIPTION

FIG. 1 is a perspective view thereof;
FIG. 2 is a front view thereof;
FIG. 3 is a back view thereof;
FIG. 4 is a left side view thereof;
FIG. 5 is a right side view thereof;
FIG. 6 is a top view thereof; and,
FIG. 7 is a bottom view thereof.
The broken lines shown depict portions of the finisher tool that form no part of the claimed design.

1 Claim, 3 Drawing Sheets



(56)

References Cited

U.S. PATENT DOCUMENTS

2015/0342617 A1* 12/2015 Kunz A61C 1/14
433/75
2019/0078393 A1* 3/2019 Moss, Jr. E21B 10/55

* cited by examiner

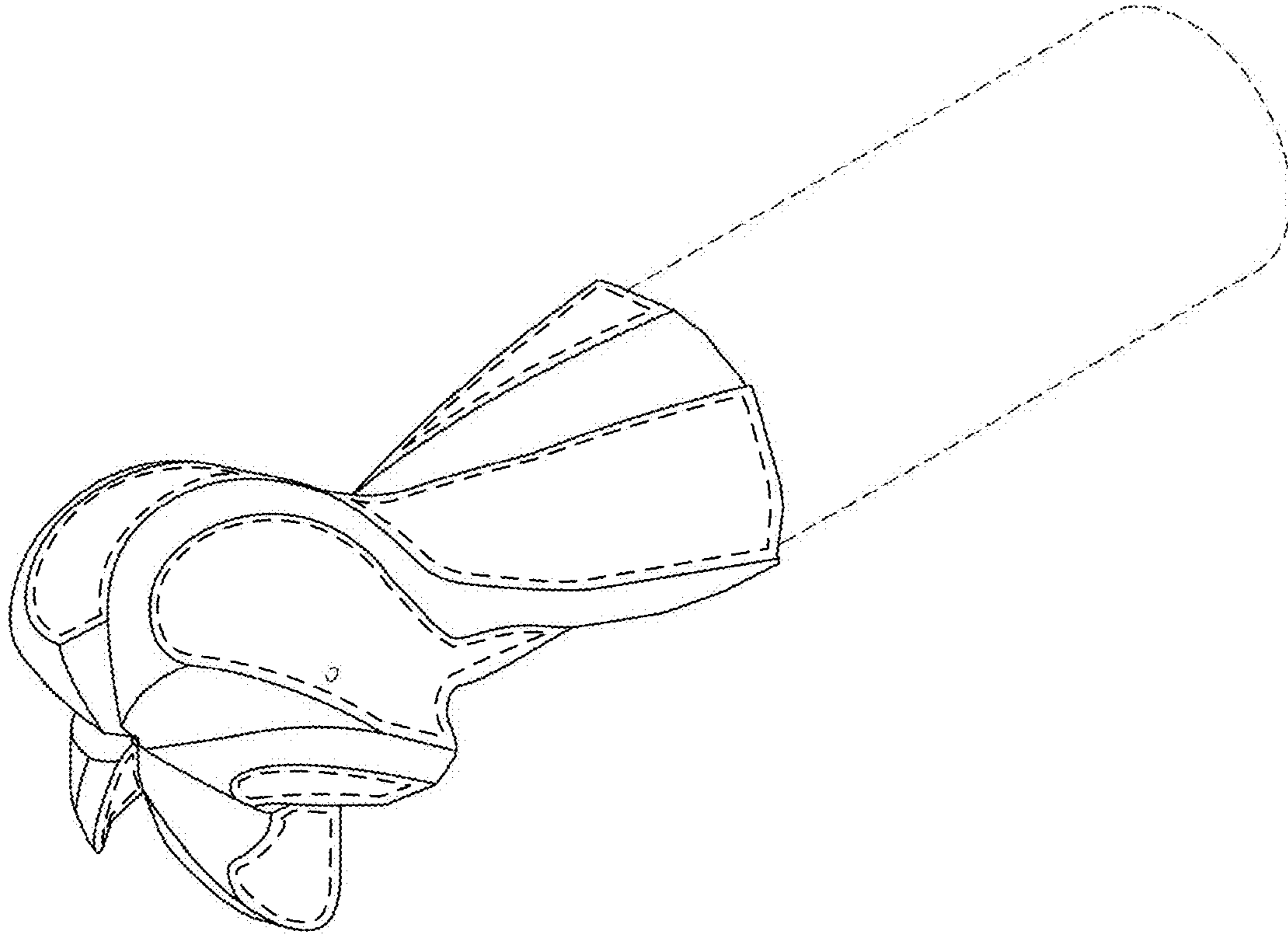


FIG. 1

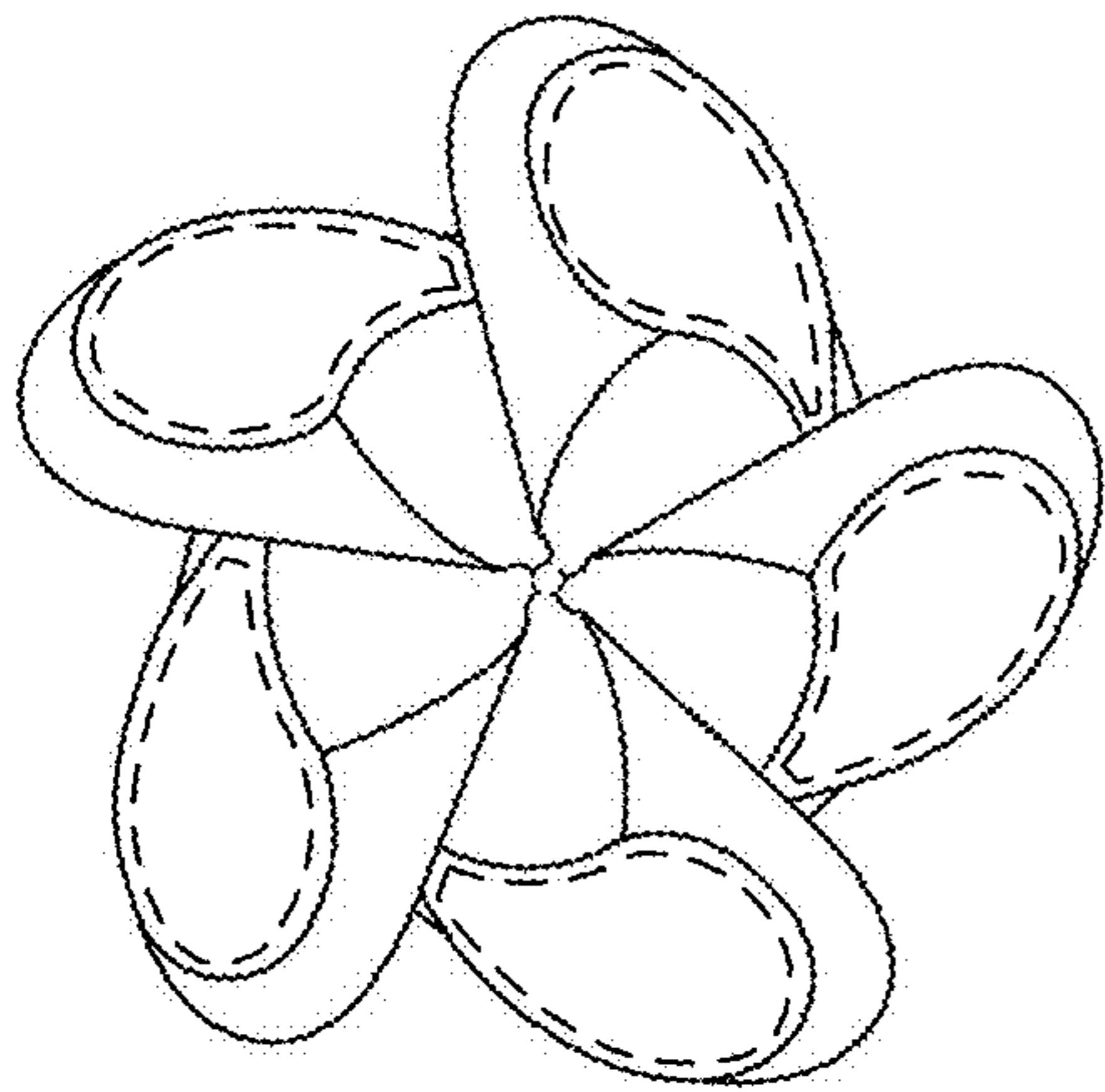


FIG. 2

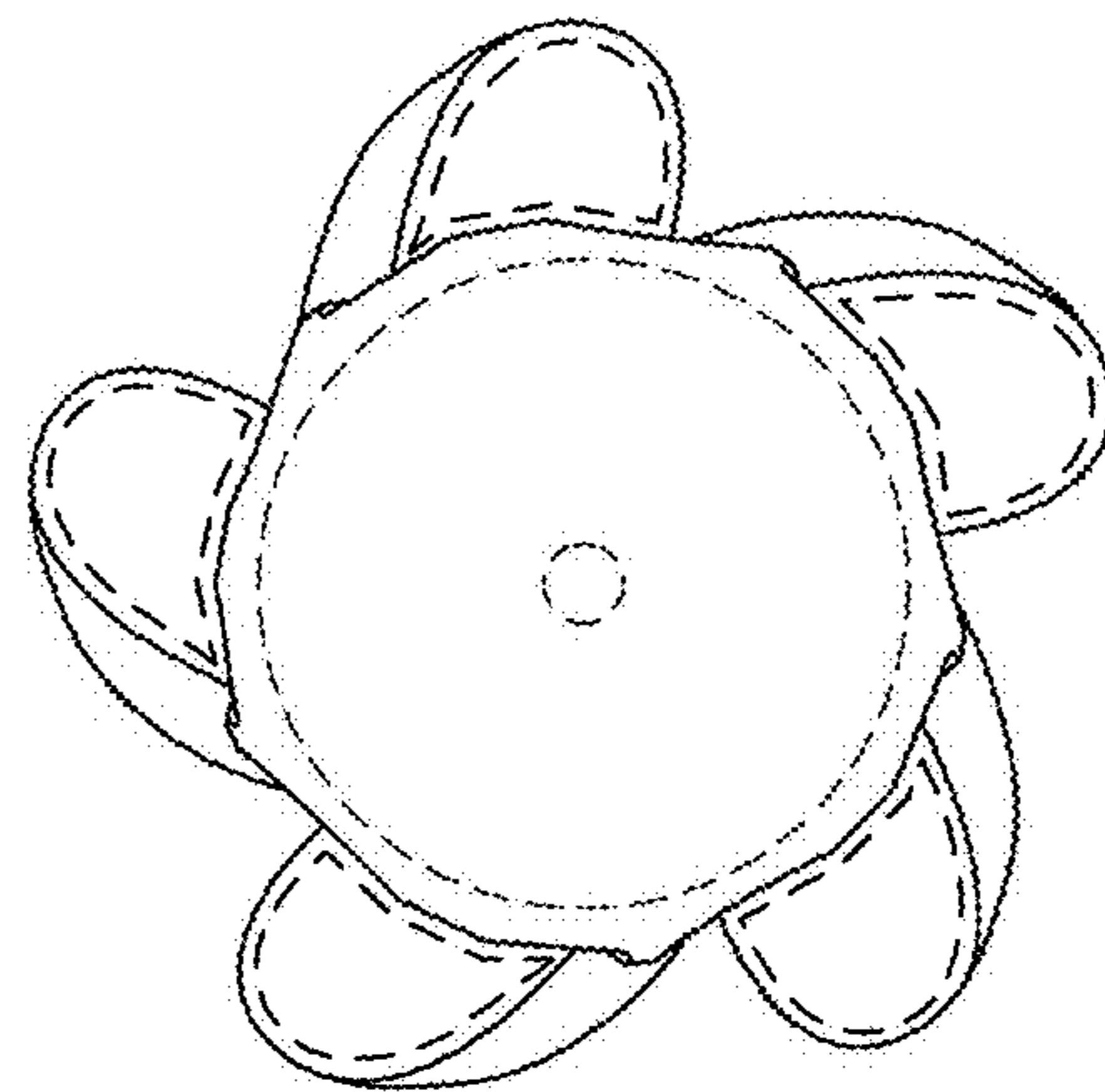


FIG. 3

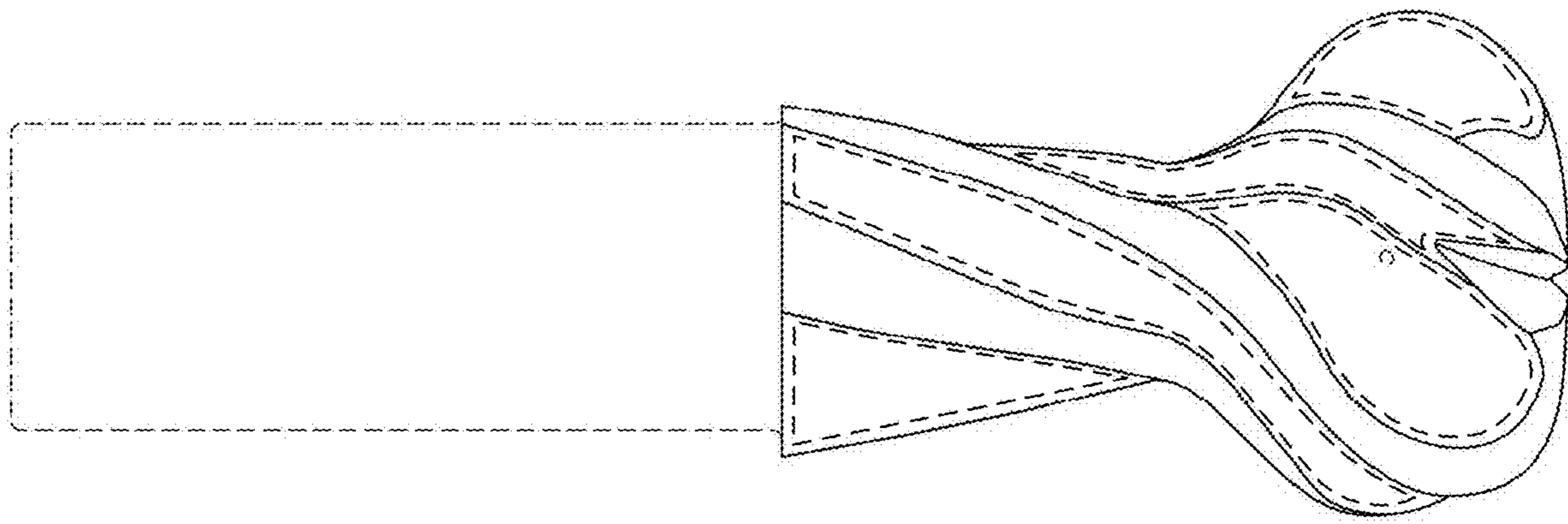


FIG. 4

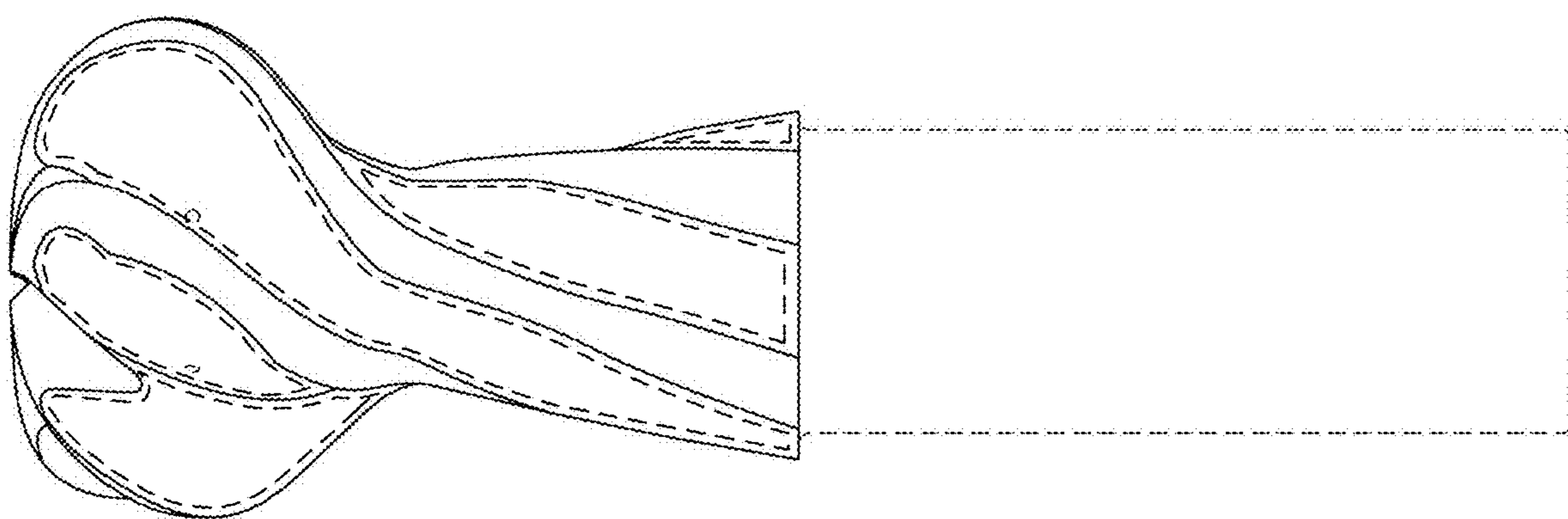


FIG. 5

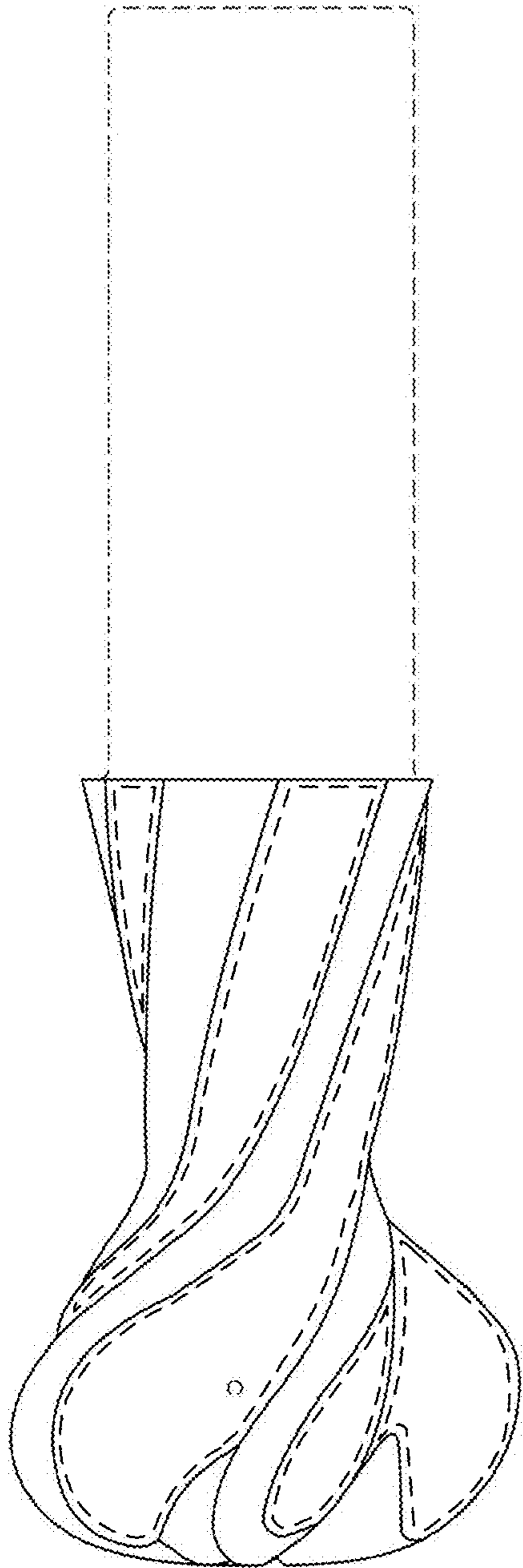


FIG. 6

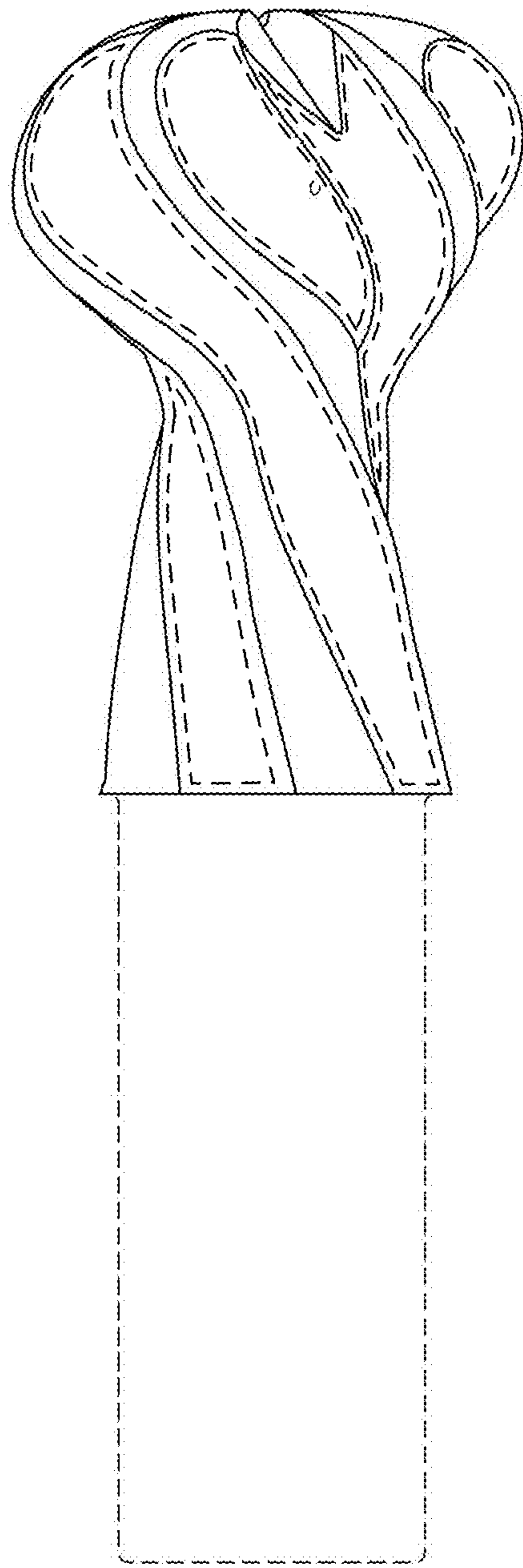


FIG. 7