



US00D941369S

(12) **United States Design Patent**  
**Gehrmann et al.**

(10) **Patent No.:** **US D941,369 S**  
(45) **Date of Patent:** **\*\* Jan. 18, 2022**

(54) **CONTROL CONSOLE FOR A MACHINE TOOL**

(71) Applicant: **Siemens Aktiengesellschaft**, Munich (DE)

(72) Inventors: **Kai Gehrmann**, Lüneburg (DE); **Walter Heidenfels**, Hamburg (DE); **Stephan Hühne**, Wilhermsdorf (DE); **Sven Moniac**, Erlangen (DE); **Markus Schön**, Erlangen (DE); **Paul Stawenow**, Hamburg (DE)

(73) Assignee: **Siemens Aktiengesellschaft**, Munich (DE)

(\*\*) Term: **15 Years**

(21) Appl. No.: **29/727,920**

(22) Filed: **Mar. 13, 2020**

(30) **Foreign Application Priority Data**

Sep. 16, 2019 (EP) ..... 006879615

(51) **LOC (13) Cl.** ..... **15-09**

(52) **U.S. Cl.**  
USPC ..... **D15/122; D15/138**

(58) **Field of Classification Search**  
USPC .... D13/158, 162, 168, 184; D15/10, 17, 28, D15/122, 138, 199  
CPC ..... B23Q 3/08; B23Q 16/065; G05B 19/402; G05B 2219/39264  
See application file for complete search history.

(56) **References Cited**

**U.S. PATENT DOCUMENTS**

D243,960 S \* 4/1977 Roch ..... D15/138  
D267,944 S \* 2/1983 Vintzel ..... D13/164  
D294,566 S \* 3/1988 Boytor ..... D13/164  
D299,125 S \* 12/1988 Anderson ..... D13/164

D361,552 S \* 8/1995 Iino ..... D14/341  
D409,620 S \* 5/1999 Spaggiari ..... D14/218  
D426,259 S \* 6/2000 Kabumoto ..... D18/41  
D427,600 S \* 7/2000 Probstel ..... D14/414  
D491,560 S \* 6/2004 Hsu Li ..... D14/371  
D551,110 S \* 9/2007 Seitz ..... D10/125  
D556,698 S \* 12/2007 Walser ..... D13/164  
D559,792 S \* 1/2008 Gemme ..... D13/162  
D566,597 S \* 4/2008 Schneor ..... D10/103  
7,438,072 B2 \* 10/2008 Izuchukwu ..... A61M 16/0051  
128/203.12  
D582,917 S \* 12/2008 Wada ..... D14/371  
D596,175 S \* 7/2009 Viertola ..... D14/314  
D597,570 S \* 8/2009 Yoshida ..... D15/138  
D621,794 S \* 8/2010 Haeske ..... D13/164  
D627,801 S \* 11/2010 Berning ..... D15/28  
D651,220 S \* 12/2011 Ohtonen ..... D15/28  
D667,848 S \* 9/2012 Schindler ..... D15/28  
D705,747 S \* 5/2014 Boucquey ..... D14/138 G  
D735,680 S \* 8/2015 Harrison ..... D13/162

(Continued)

*Primary Examiner* — Patricia A Palasik

(74) *Attorney, Agent, or Firm* — Henry M. Feiereisen LLC

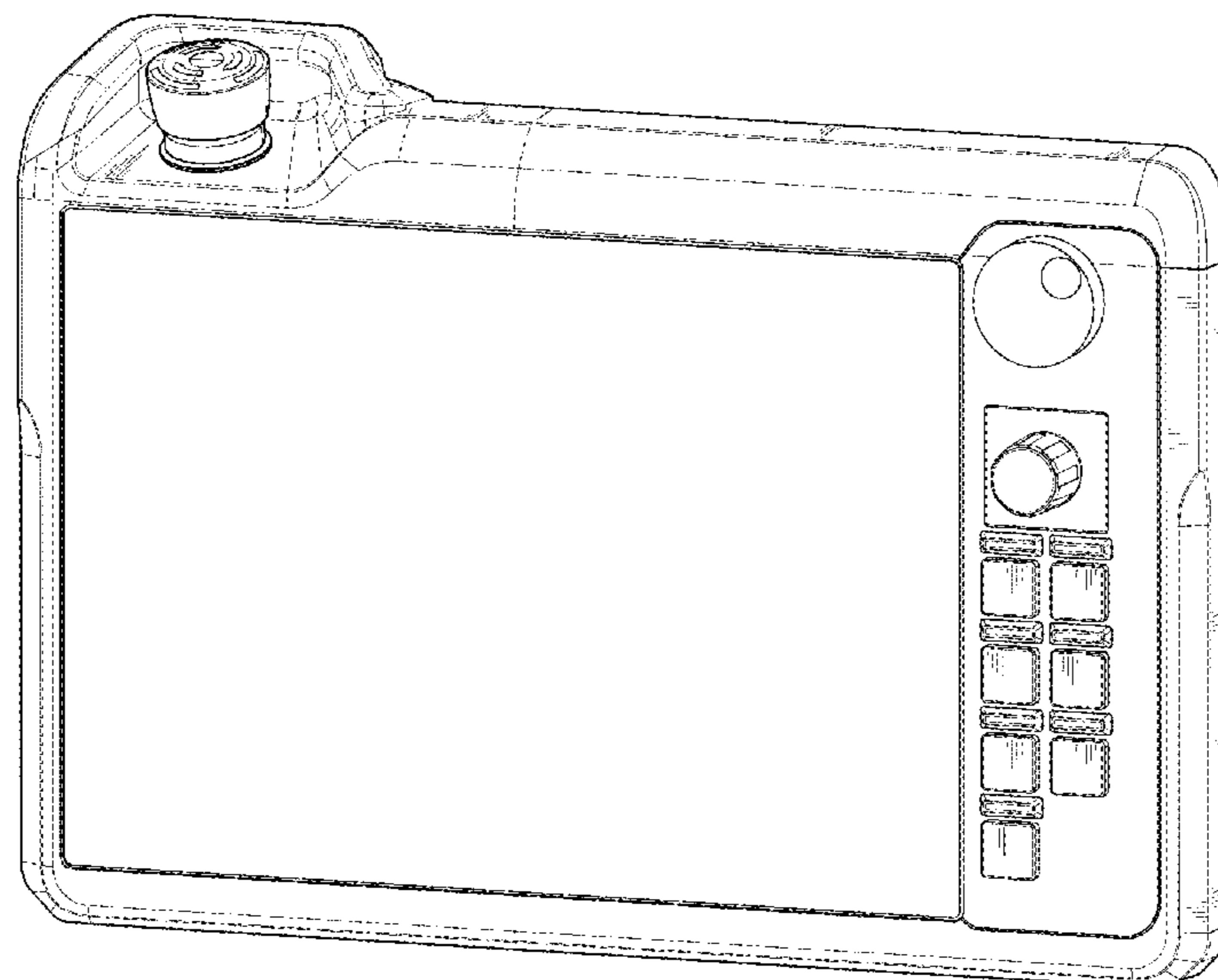
(57) **CLAIM**

The ornamental design for a control console for a machine tool, as shown and described.

**DESCRIPTION**

FIG. 1 is a front view of a control console for a machine tool, showing our new design;  
FIG. 2 is a rear view thereof;  
FIG. 3 is a top view thereof;  
FIG. 4 is a bottom view thereof;  
FIG. 5 is a right side view thereof;  
FIG. 6 is a left side view thereof;  
FIG. 7 is a top, front and right side perspective view thereof; and,  
FIG. 8 is a bottom, rear and left side perspective view thereof.

**1 Claim, 8 Drawing Sheets**



(56)

**References Cited**

U.S. PATENT DOCUMENTS

|              |    |   |         |             |       |                          |
|--------------|----|---|---------|-------------|-------|--------------------------|
| D738,830     | S  | * | 9/2015  | Suthmann    | ..... | D13/162                  |
| D748,065     | S  | * | 1/2016  | Trochum     | ..... | D13/162                  |
| D753,607     | S  | * | 4/2016  | Lee         | ..... | D13/162                  |
| D762,642     | S  | * | 8/2016  | Johnson     | ..... | D14/371                  |
| D763,202     | S  | * | 8/2016  | Daubenmerkl | ..... | D13/164                  |
| D766,192     | S  | * | 9/2016  | Daubenmerkl | ..... | D13/162                  |
| D773,405     | S  | * | 12/2016 | Daubenmerkl | ..... | D13/164                  |
| D794,579     | S  | * | 8/2017  | Peterson    | ..... | D13/162                  |
| 2003/0236102 | A1 | * | 12/2003 | Kawai       | ..... | G06F 1/1656<br>455/550.1 |

\* cited by examiner

FIG. 1

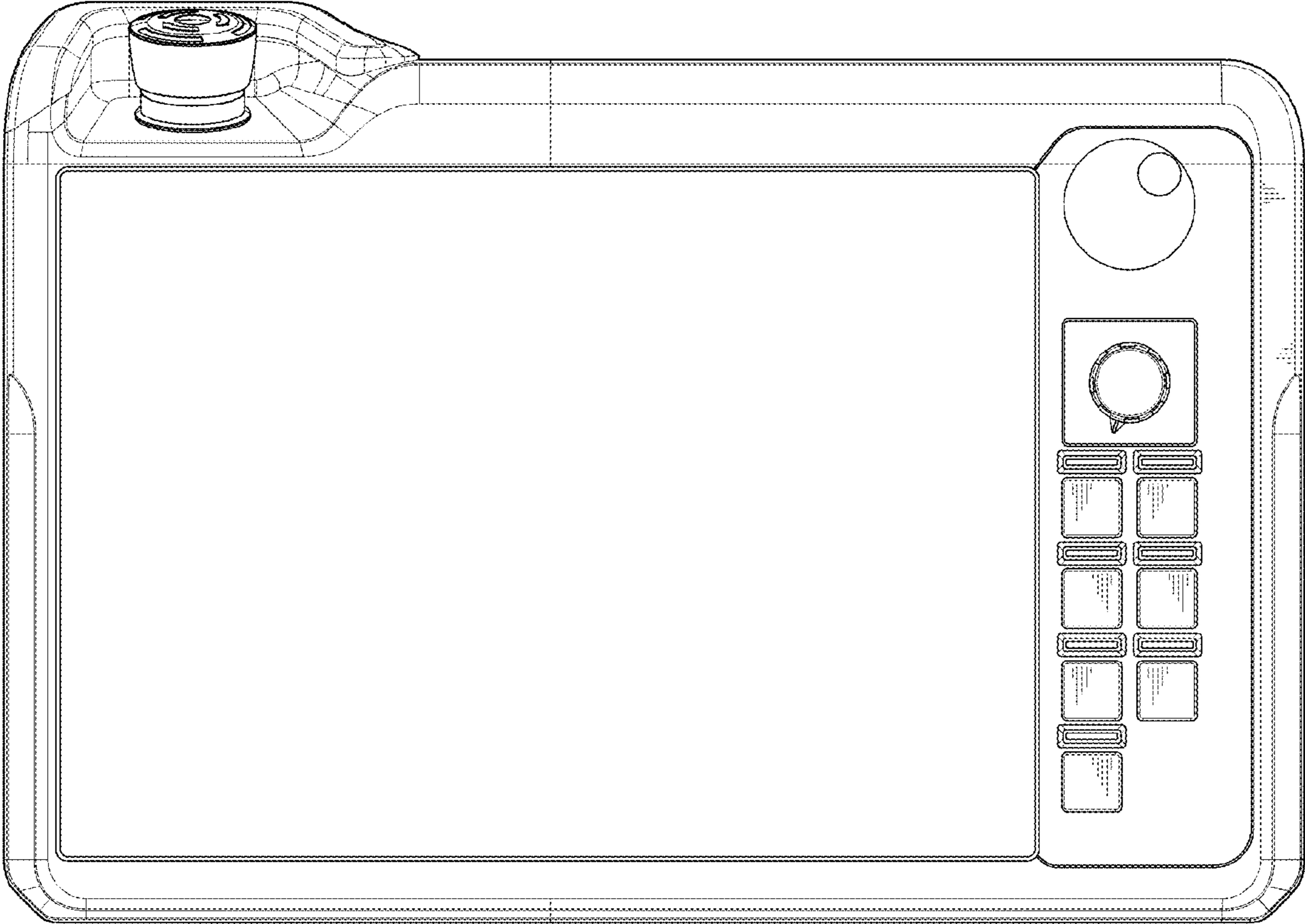


FIG. 2

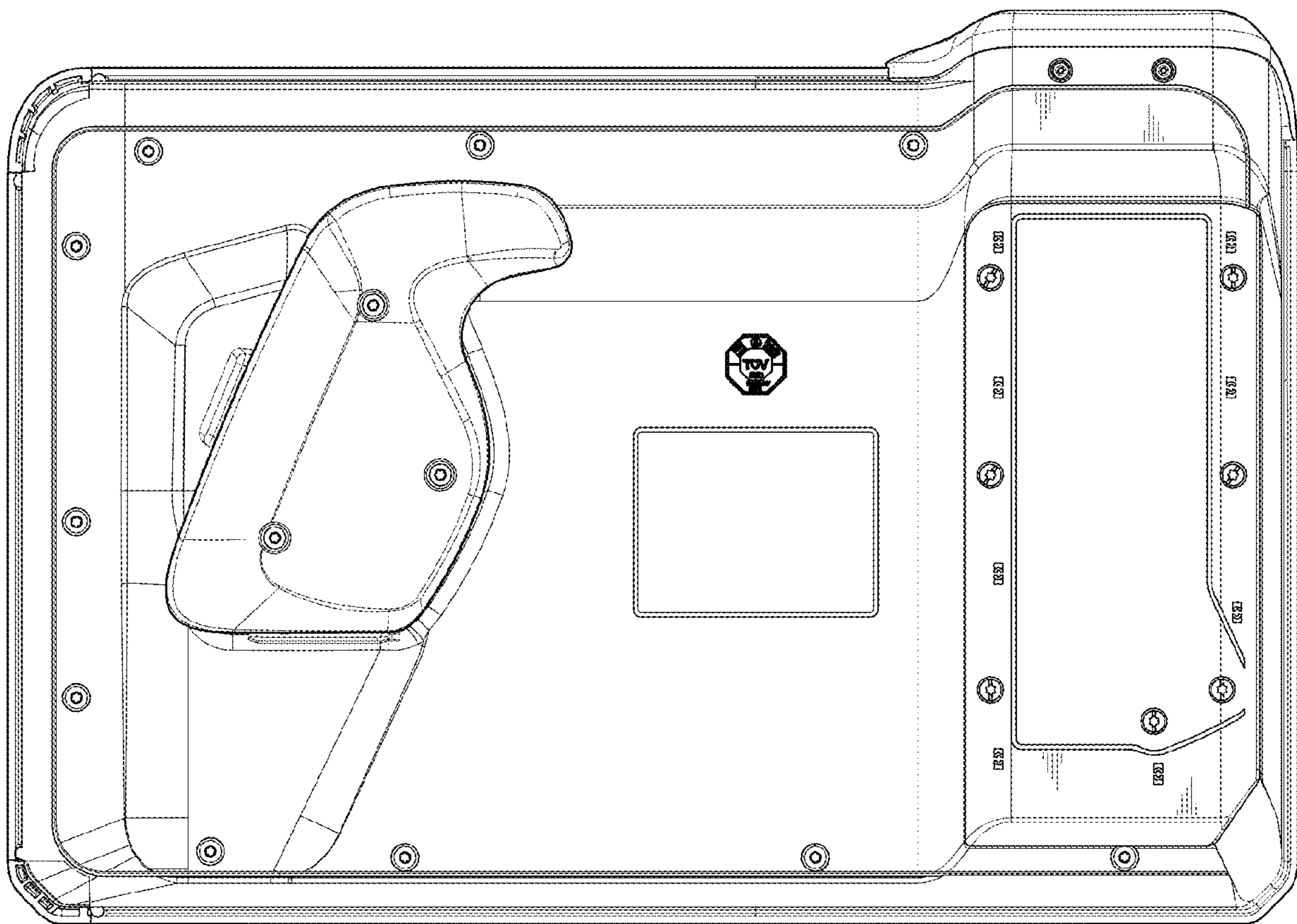


FIG. 3

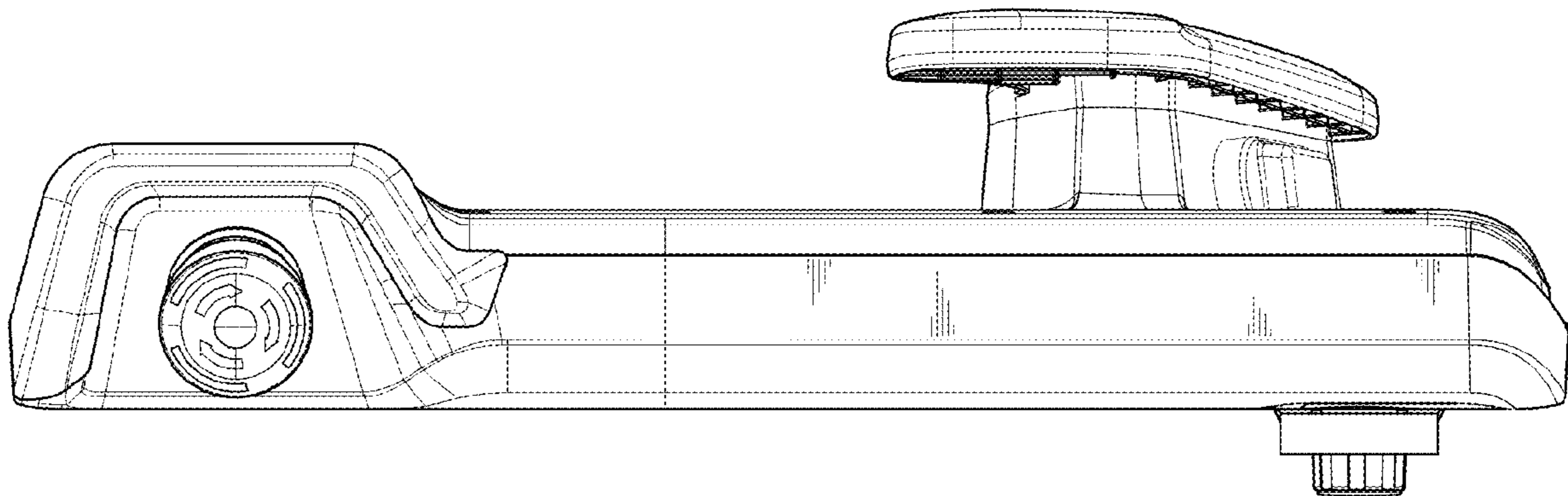


FIG. 4

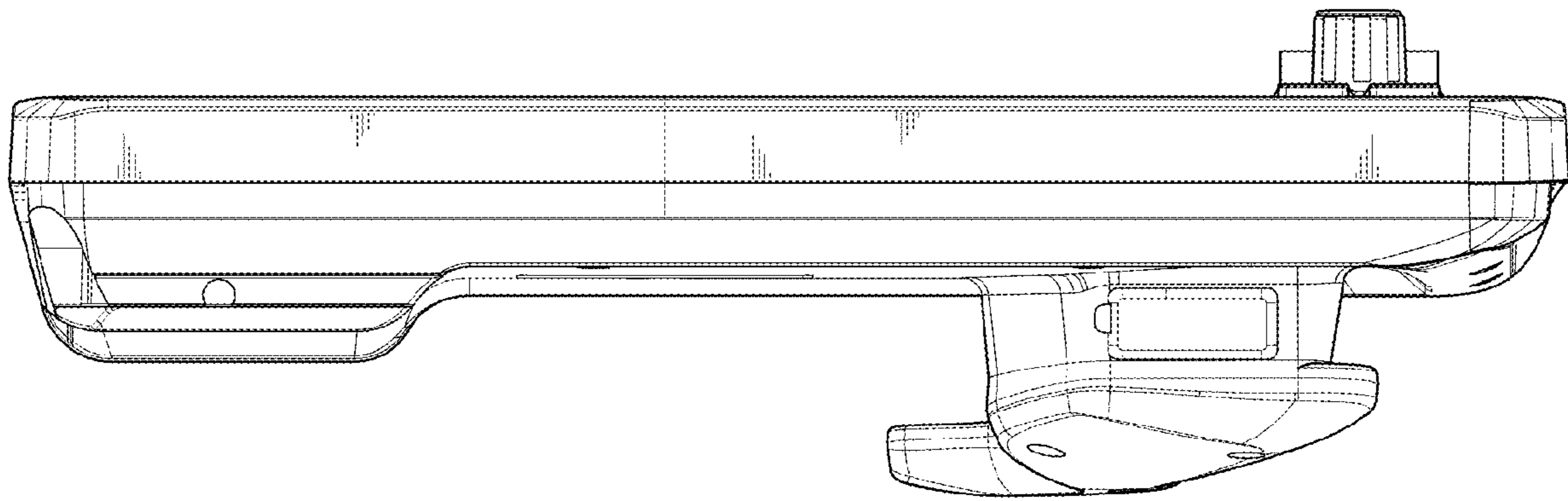


FIG. 5

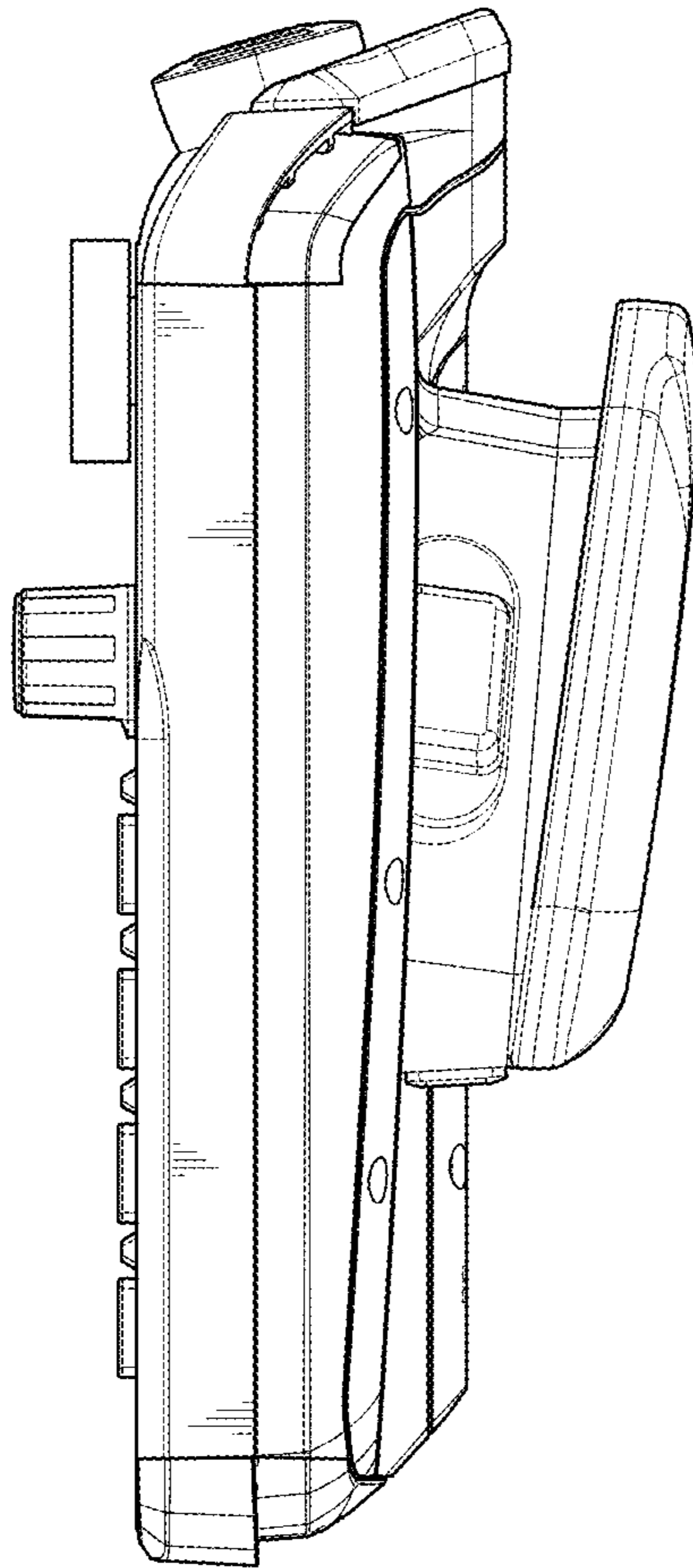


FIG. 6

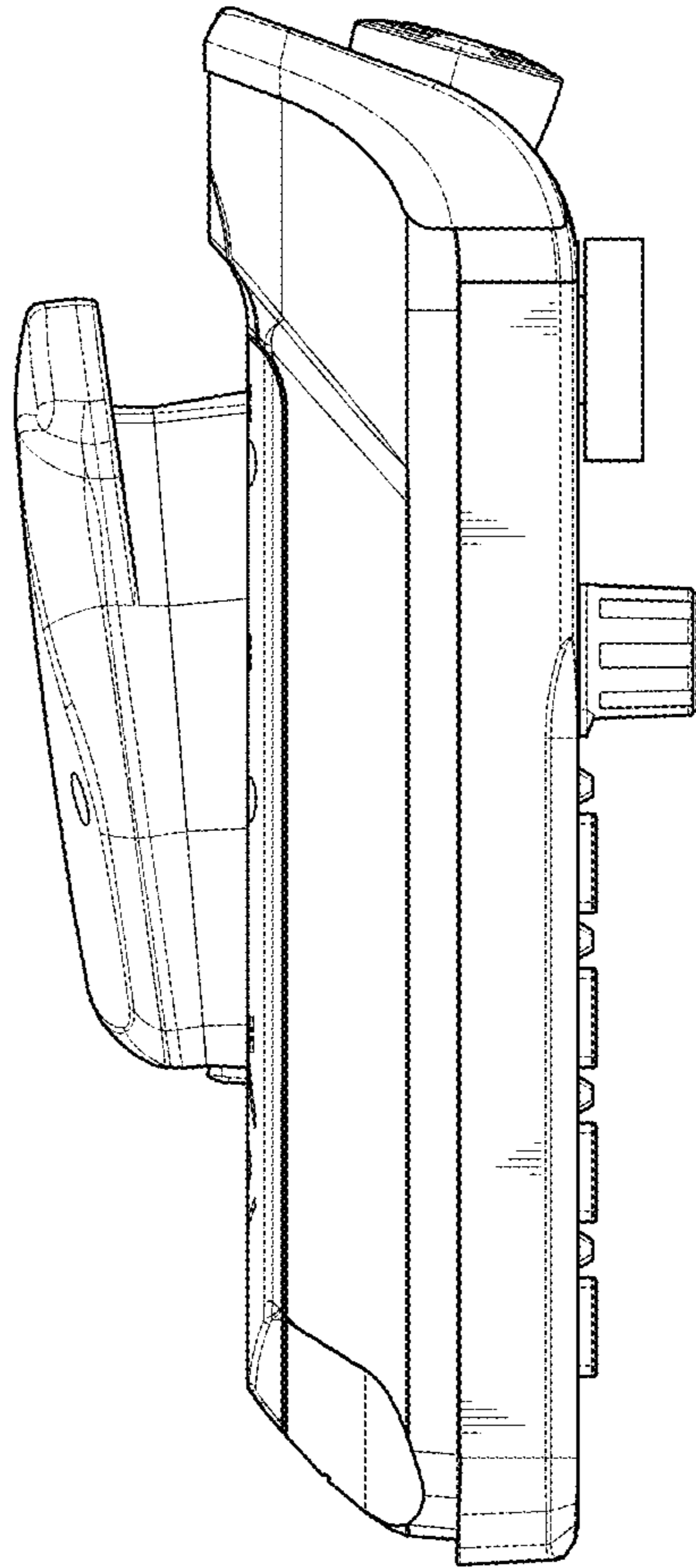




FIG. 7

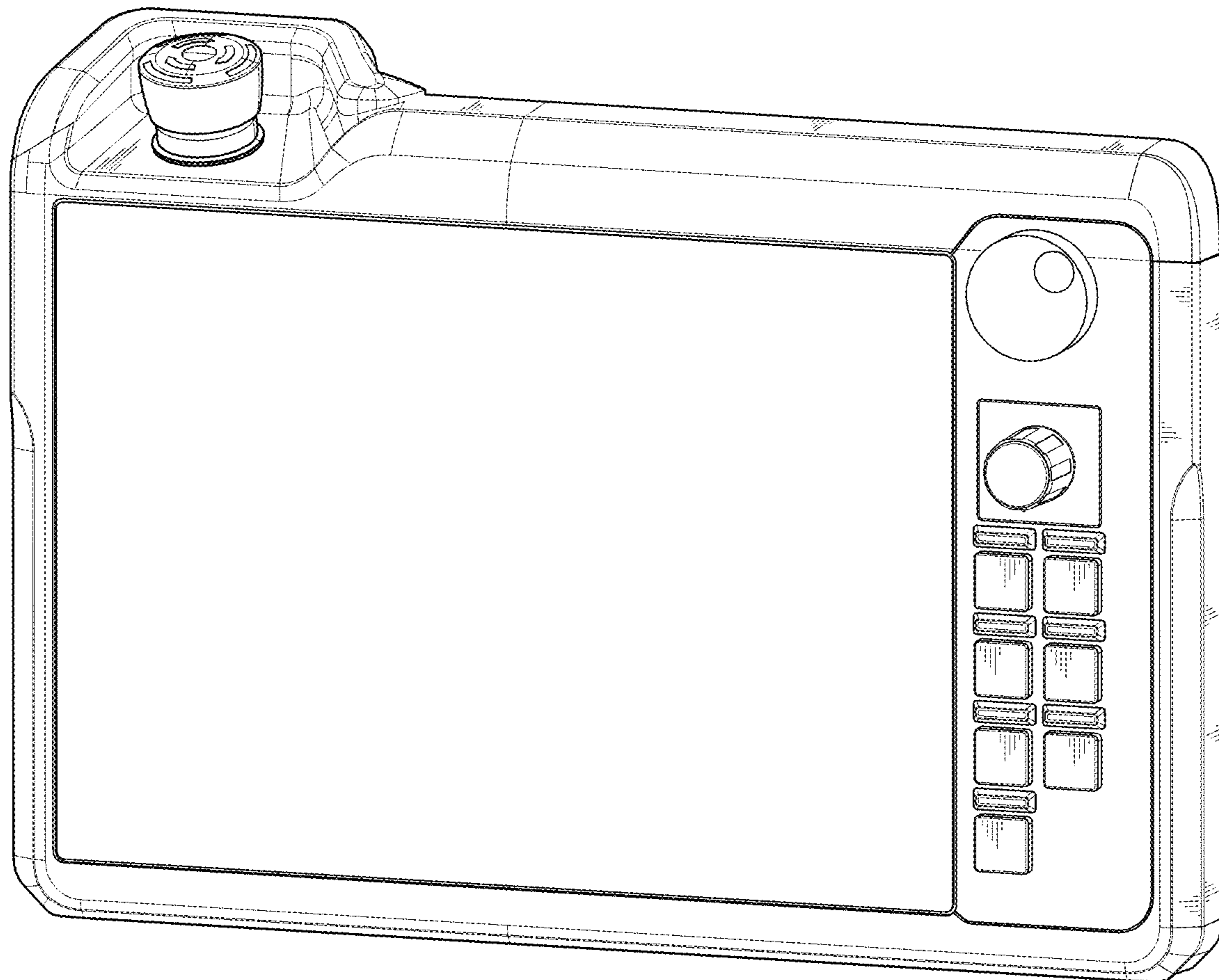


FIG. 8

