



US00D941367S

(12) **United States Design Patent** (10) **Patent No.:** **US D941,367 S**
Behn et al. (45) **Date of Patent:** **** Jan. 18, 2022**

(54) **ARM OF A VIBRATORY ROLLER**

9/0808; E02F 9/0833; E02F 9/2004; E02F 9/207; E02F 9/2091; E02F 9/2246; E02F 9/2292

(71) Applicant: **CATERPILLAR PAVING PRODUCTS INC.**, Brooklyn Park, MN (US)

See application file for complete search history.

(72) Inventors: **Mark D. Behn**, St. Michael, MN (US); **Brian Nagel**, Ramsey, MN (US); **Terril Johnson**, Washington, IL (US); **Robert Iverson**, Maple Grove, MN (US); **Andrew Torkelson**, New Hope, MN (US)

(56) **References Cited**

U.S. PATENT DOCUMENTS

D396,431 S	7/1998	Lindgren et al.
D497,920 S	11/2004	Antonetti
D516,094 S	2/2006	Dötsch et al.
D528,134 S	9/2006	Vandendriessche et al.
D531,647 S	11/2006	Stender et al.
D541,825 S	5/2007	Pettersson
D541,826 S	5/2007	Brush et al.
D561,205 S	2/2008	Pettersson
D579,028 S	10/2008	VanDeVeer et al.
D603,881 S	11/2009	Tamplain, III et al.

(Continued)

(73) Assignee: **Caterpillar Paving Products Inc.**, Brooklyn Park, MN (US)

(**) Term: **15 Years**

Primary Examiner — Mark A Goodwin

(21) Appl. No.: **29/779,840**

(74) *Attorney, Agent, or Firm* — Finnegan, Henderson, Farabow, Garrett & Dunner LLP

(22) Filed: **Apr. 21, 2021**

Related U.S. Application Data

(63) Continuation of application No. 29/746,331, filed on Aug. 13, 2020, now Pat. No. Des. 926,827, which is a continuation of application No. 29/691,256, filed on May 15, 2019, now Pat. No. Des. 899,468.

(57) **CLAIM**

The ornamental design for an arm of a vibratory roller, as shown and described.

(51) **LOC (13) Cl.** **15-03**

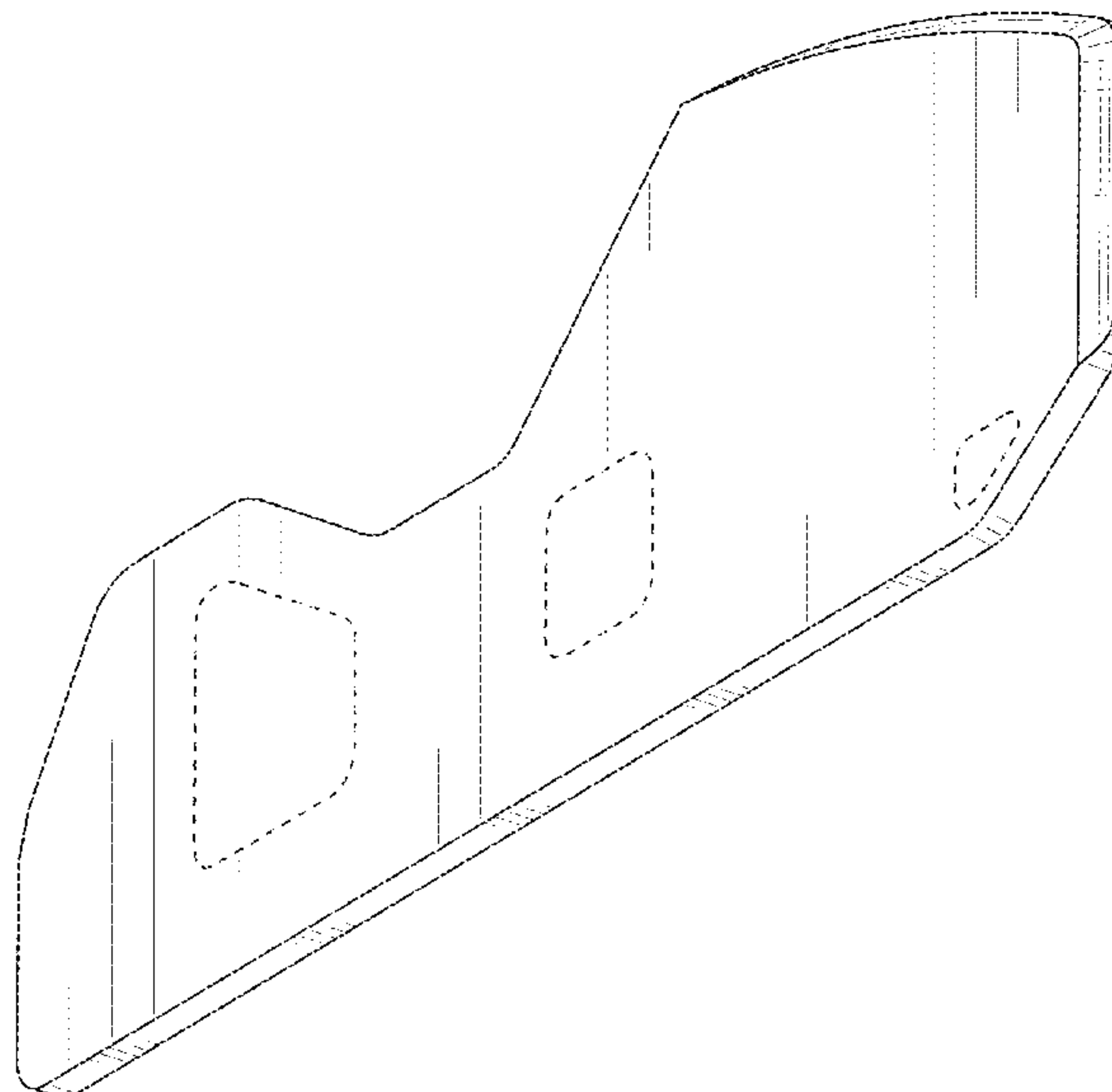
(52) **U.S. Cl.**
USPC **D15/30**

(58) **Field of Classification Search**
USPC D15/10, 22–26, 28, 30; 180/89.1, 89.12, 180/89.13, 900, 9.1, 9.2, 9.62; 37/379; 414/694, 699, 722–724, 660, 685, 698, 414/719, 743
CPC E02F 3/32; E02F 3/76; E02F 3/40; E02F 3/325; E02F 3/352; E02F 3/384; E02F 3/425; E02F 3/437; E02F 3/627; E02F 3/964; E02F 9/163; E02F 9/0858; E02F 9/0875; E02F 9/2045; E02F 9/006; E02F

DESCRIPTION

FIG. 1 is a front, bottom, right perspective view of an arm of a vibratory roller showing the new design; FIG. 2 is rear, top, left perspective view thereof; FIG. 3 is a front elevation view thereof; FIG. 4 is a rear elevation view thereof; FIG. 5 is a left side view thereof; FIG. 6 is a right side view thereof; FIG. 7 is top plan view thereof; and, FIG. 8 is bottom plan view thereof. The claimed design includes the mirror image of the arm design depicted in FIGS. 1 to 8. The broken lines of even length shown in the drawings illustrate portions of the arm that form no part of the claimed design.

1 Claim, 8 Drawing Sheets



(56)

References Cited

U.S. PATENT DOCUMENTS

D605,207 S	12/2009	Menges et al.	D742,937 S *	11/2015	Ewringmann	D15/28
D611,505 S	3/2010	Loew et al.	D744,543 S	12/2015	Loew et al.		
D611,506 S	3/2010	Loew et al.	D745,063 S	12/2015	Loew et al.		
D660,881 S	5/2012	Bohme et al.	D749,148 S	2/2016	Darekar et al.		
D667,851 S	9/2012	Warr	D765,735 S	9/2016	Roemer et al.		
D668,269 S	10/2012	Tezuka et al.	D796,557 S	9/2017	Loew et al.		
D668,693 S	10/2012	Ringer	D800,792 S	10/2017	Loew et al.		
D668,694 S	10/2012	Tezuka et al.	D800,793 S	10/2017	Loew et al.		
D670,745 S	11/2012	Warr	D819,704 S	6/2018	Loew et al.		
D671,566 S	11/2012	Fang et al.	D853,450 S	7/2019	Loew		
D676,463 S	2/2013	Ewringmann et al.	D854,587 S	7/2019	Ninomiya		
D687,868 S	8/2013	Watson et al.	D866,616 S	11/2019	Jilbert		
D694,278 S	11/2013	Ewringmann	D871,462 S	12/2019	Svitek et al.		
D694,279 S	11/2013	Ewringmann	D874,524 S	2/2020	Iwata		
D695,793 S *	12/2013	Ewringmann	D877,209 S	3/2020	Winkei		
D699,764 S	2/2014	Loew et al.	2004/0028472 A1	2/2004	Richter		
D707,728 S	6/2014	Imashige et al.	2006/0147265 A1 *	7/2006	Fluent	E01C 19/286
D720,779 S	1/2015	Loew et al.	2012/0114416 A1	5/2012	Marsolek et al.		404/117
D736,270 S	8/2015	Jackson et al.	2012/0301221 A1	11/2012	Ackermann et al.		
			2014/0161529 A1	6/2014	Darscheid et al.		
			2015/0204031 A1	7/2015	Kreutz		

* cited by examiner

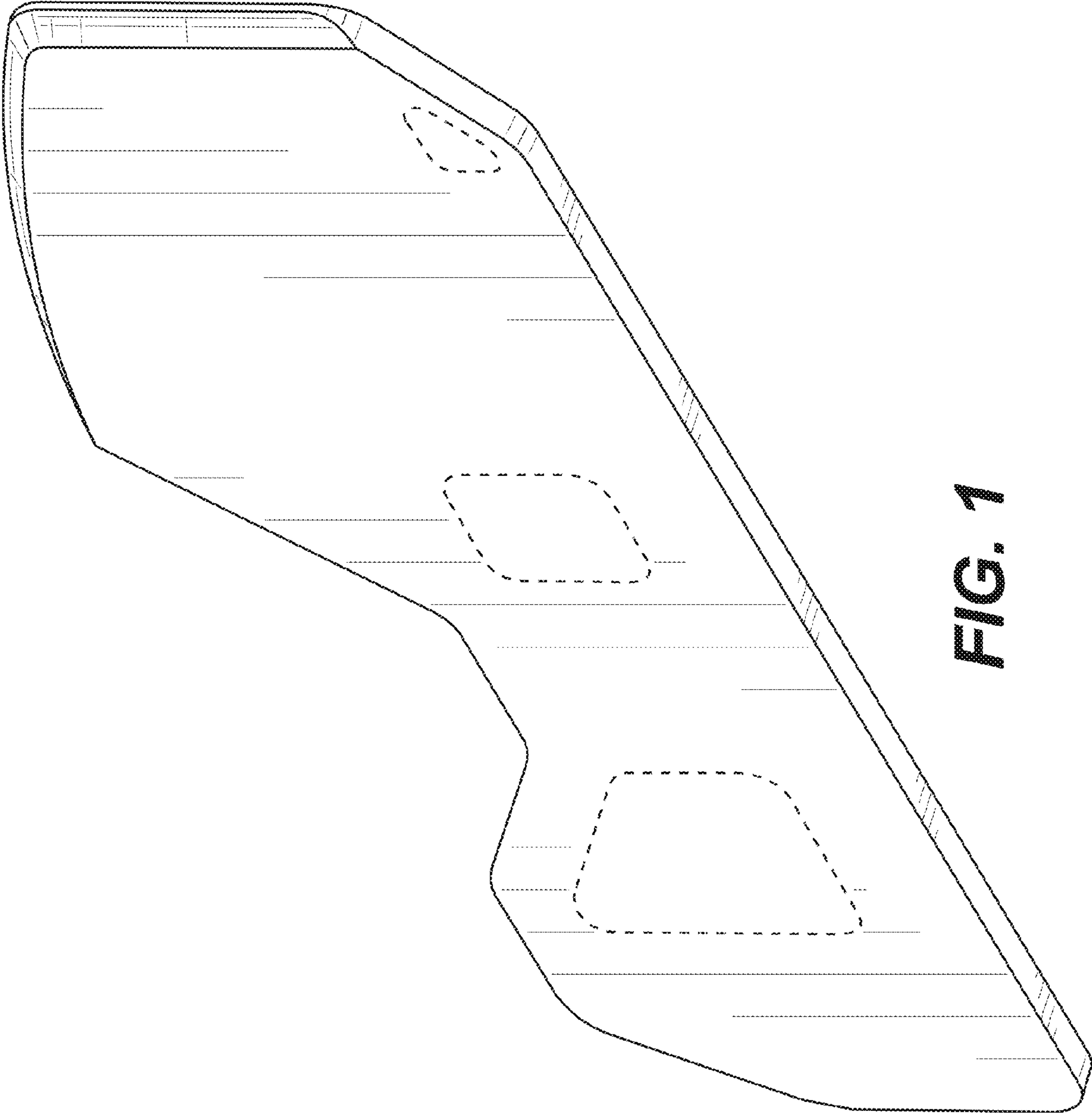


FIG. 1

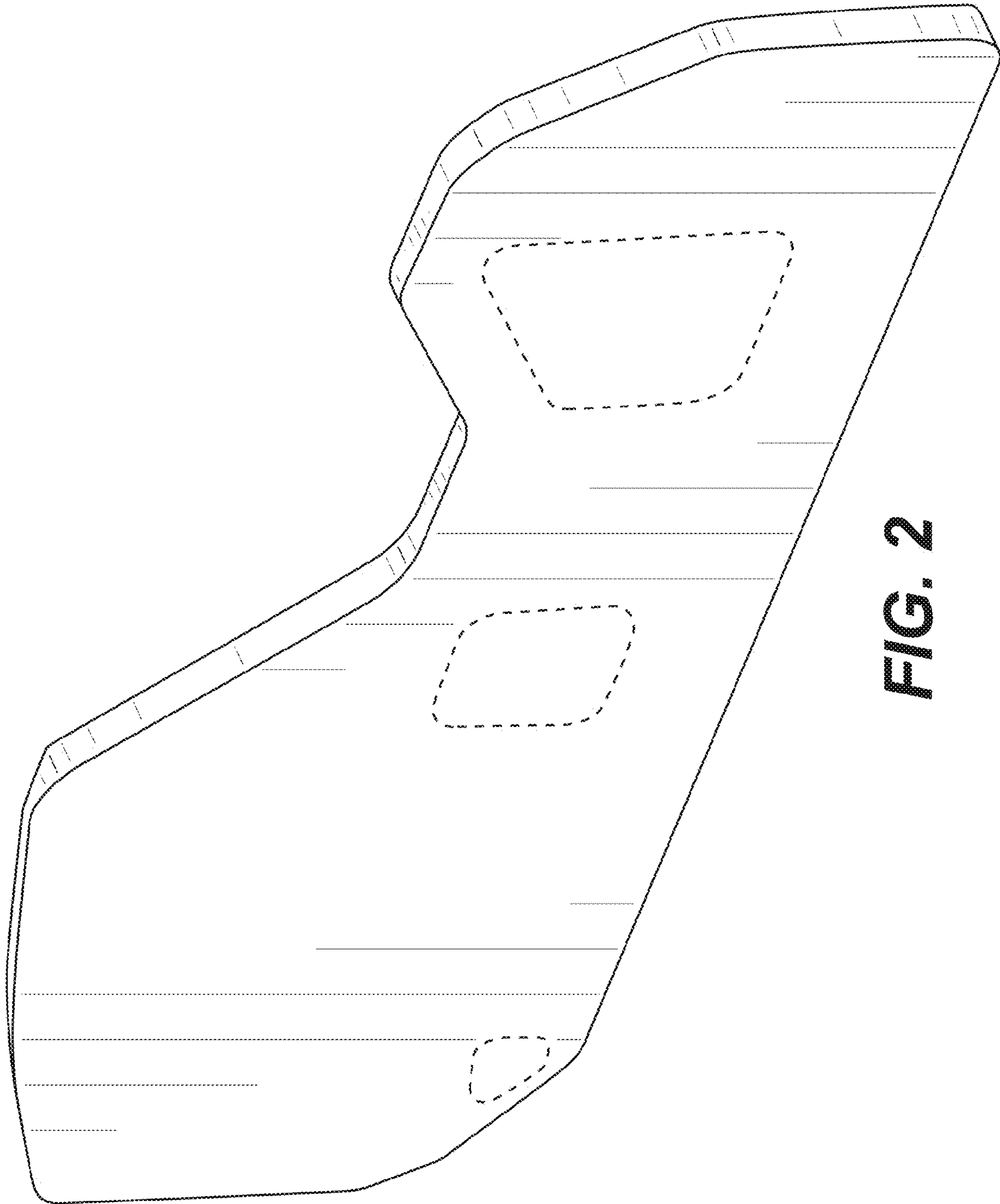


FIG. 2

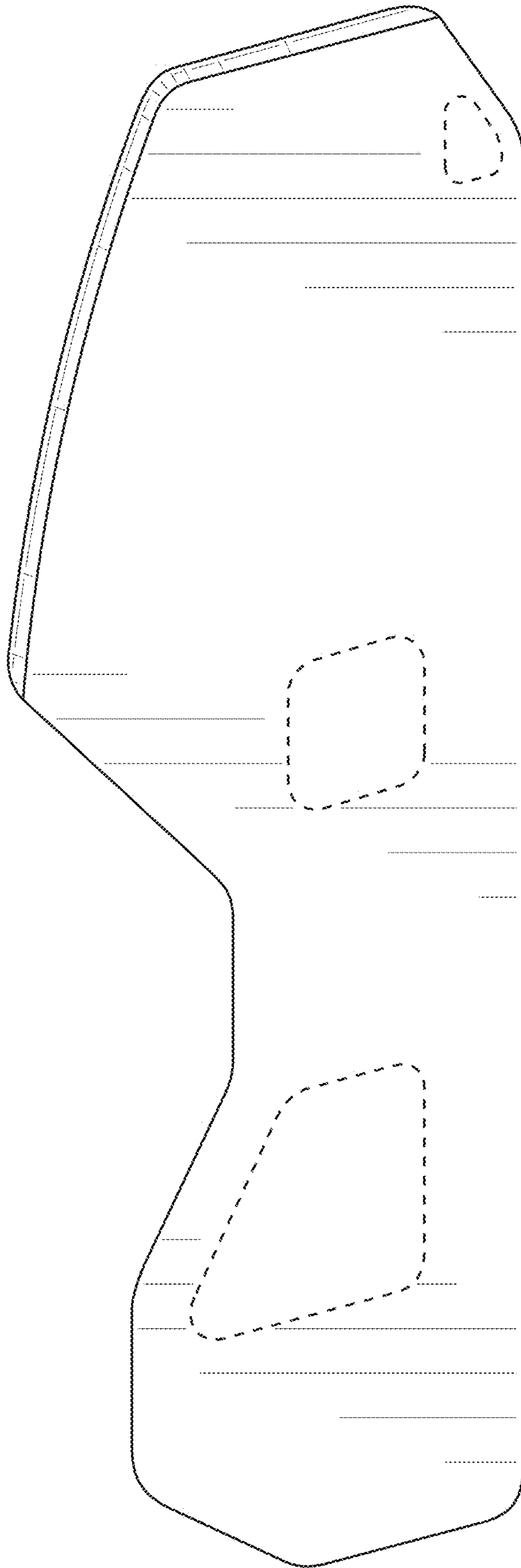


FIG. 3

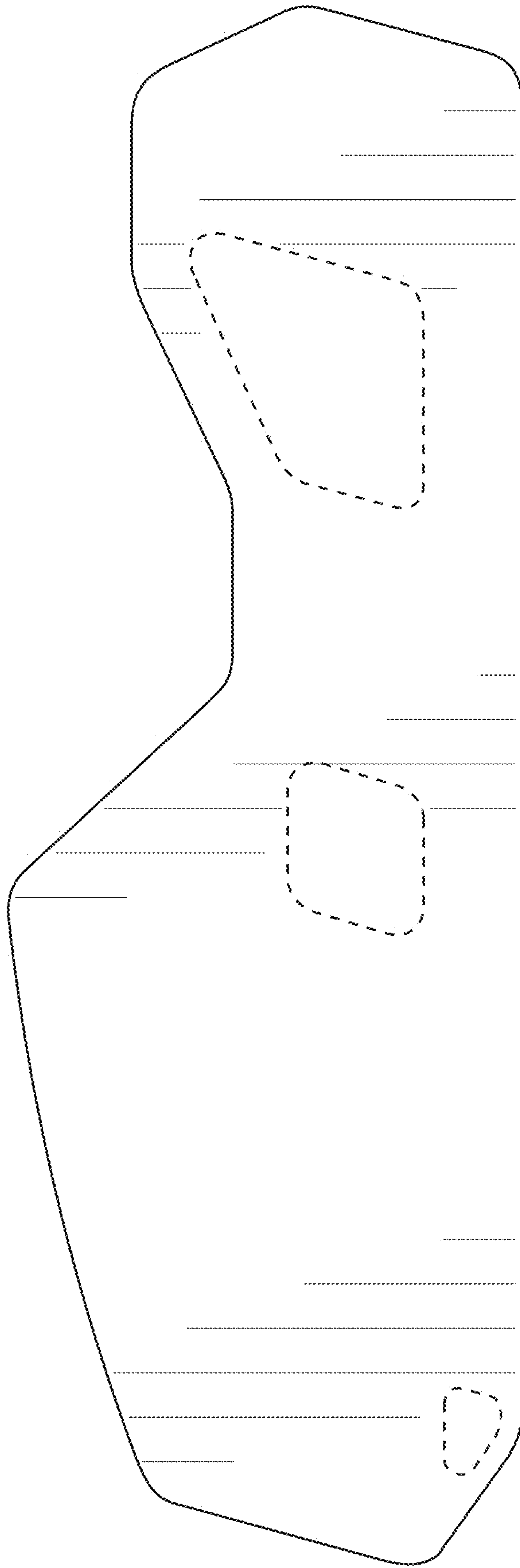


FIG. 4



FIG. 5

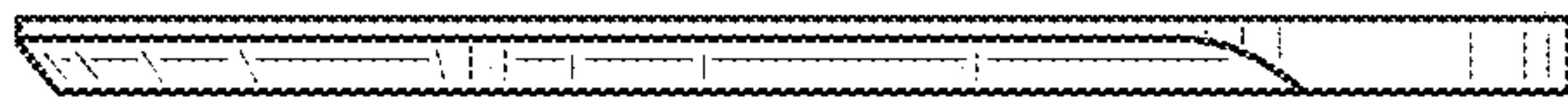


FIG. 6



FIG. 7



FIG. 8