



US00D941365S

(12) **United States Design Patent**
Zhao et al.

(10) **Patent No.:** **US D941,365 S**
(45) **Date of Patent:** **** Jan. 18, 2022**

(54) **CAB FOR DIGGING AND LOADING MACHINE**

(71) Applicant: **JiangSu XCMG Construction Machinery Research Institute LTD.,**
Jiangsu (CN)

(72) Inventors: **Bin Zhao**, Jiangsu (CN); **He Liu**,
Jiangsu (CN); **Yimin Zhang**, Jiangsu
(CN)

(73) Assignee: **JiangSu XCMG Construction Machinery Research Institute LTD.,**
Jiangsu (CN)

(**) Term: **15 Years**

(21) Appl. No.: **29/756,182**

(22) Filed: **Oct. 27, 2020**

(51) **LOC (13) Cl.** **15-03**

(52) **U.S. Cl.**
USPC **D15/28**

(58) **Field of Classification Search**
USPC D15/10, 22–26, 28, 30, 31; 180/89.11,
180/89.12, 89.13, 89.19, 900, 90, 315,
180/316, 326, 333, 334, 320, 336;
296/190.01, 190.08, 210, 190, 202,
296/190.03; D12/195
CPC B60K 23/00; E02F 9/2004; E02F 9/2025;
E02F 9/2054; G05G 9/047; Y10T
74/20012; B62D 35/00; B62D 39/00;
B62D 47/00; B62D 47/043
See application file for complete search history.

(56) **References Cited**

U.S. PATENT DOCUMENTS

D420,685 S * 2/2000 Muranen D15/30
6,039,141 A * 3/2000 Denny B60N 2/797
180/329

6,752,468 B2 * 6/2004 Eliasson B60P 1/283
180/331
6,942,282 B1 * 9/2005 Jacobs B62D 33/0617
296/190.01
7,857,090 B2 * 12/2010 Ruhter E02F 9/16
180/333
D652,063 S * 1/2012 Takeuchi D15/28
D652,433 S * 1/2012 Takeuchi D15/28
D656,966 S * 4/2012 Iwata D15/28
D664,998 S * 8/2012 Warr D15/28
D678,355 S * 3/2013 Warr D15/28
D685,006 S * 6/2013 Hagura D15/28
D685,007 S * 6/2013 Tanaka D15/28
D857,755 S * 8/2019 Ninomiya D15/28
D920,388 S * 5/2021 Wagner D15/28

* cited by examiner

Primary Examiner — Mark A Goodwin

(74) *Attorney, Agent, or Firm* — JCIP Global Inc.

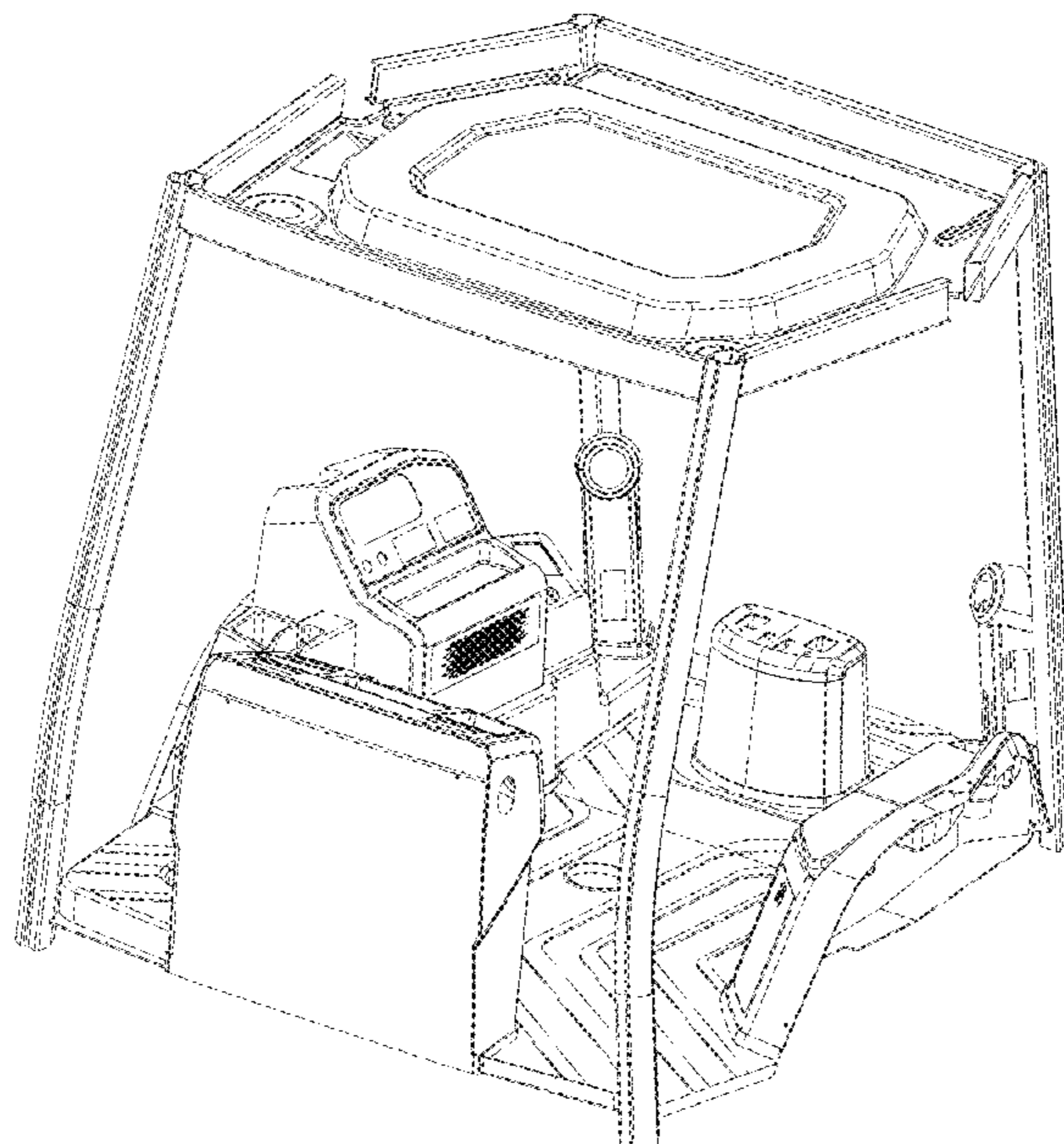
(57) **CLAIM**

The ornamental design for a cab for digging and loading machine, as shown and described.

DESCRIPTION

FIG. 1 is a perspective view of a cab for digging and loading machine showing our new design;
FIG. 2 is another perspective view thereof;
FIG. 3 is still another perspective view thereof;
FIG. 4 is a front view thereof;
FIG. 5 is a rear view thereof;
FIG. 6 is a left side view thereof;
FIG. 7 is a right side view thereof; and,
FIG. 8 is a top view thereof, with the top of the article removed for clarity.

1 Claim, 8 Drawing Sheets



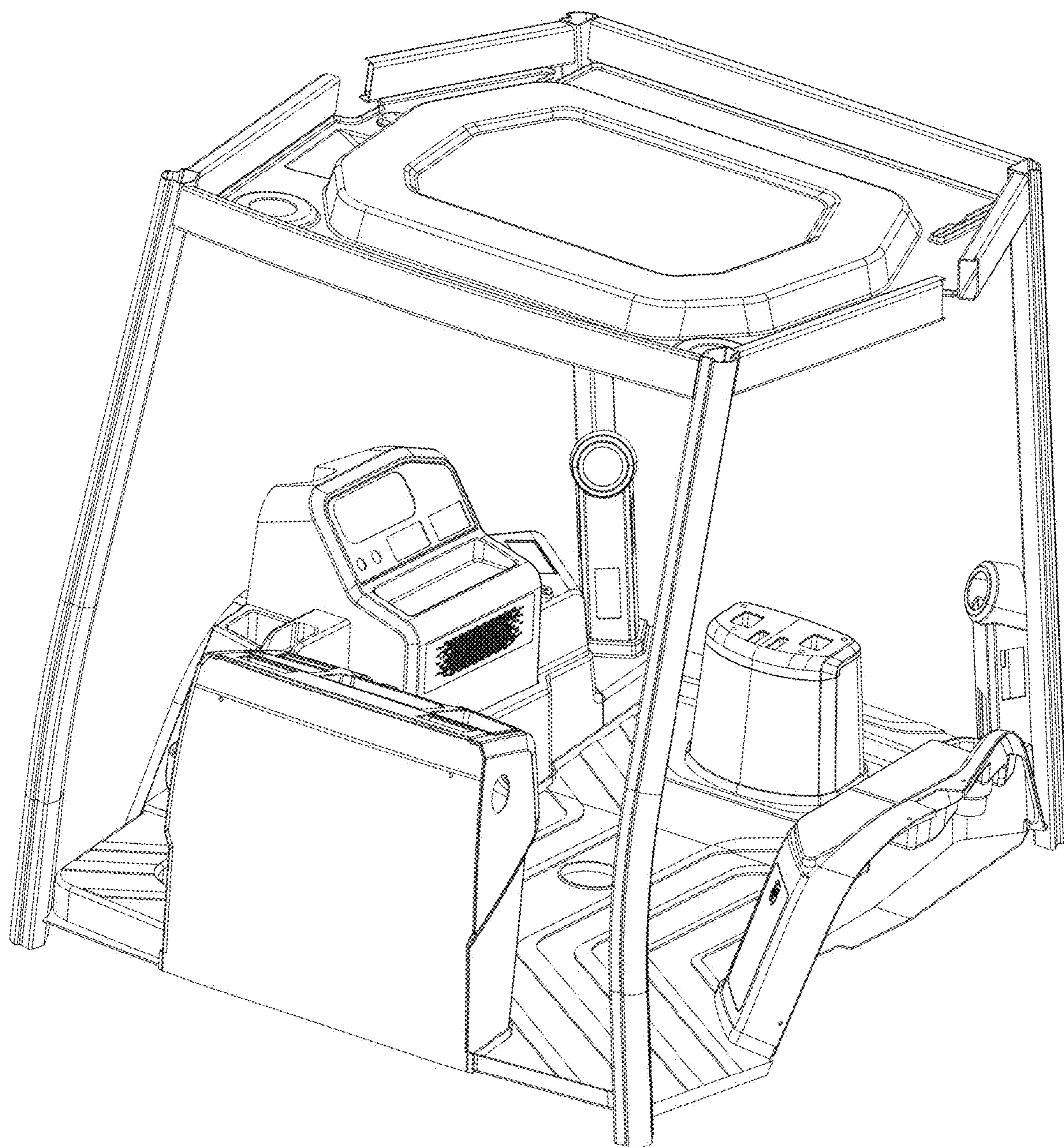


FIG. 1

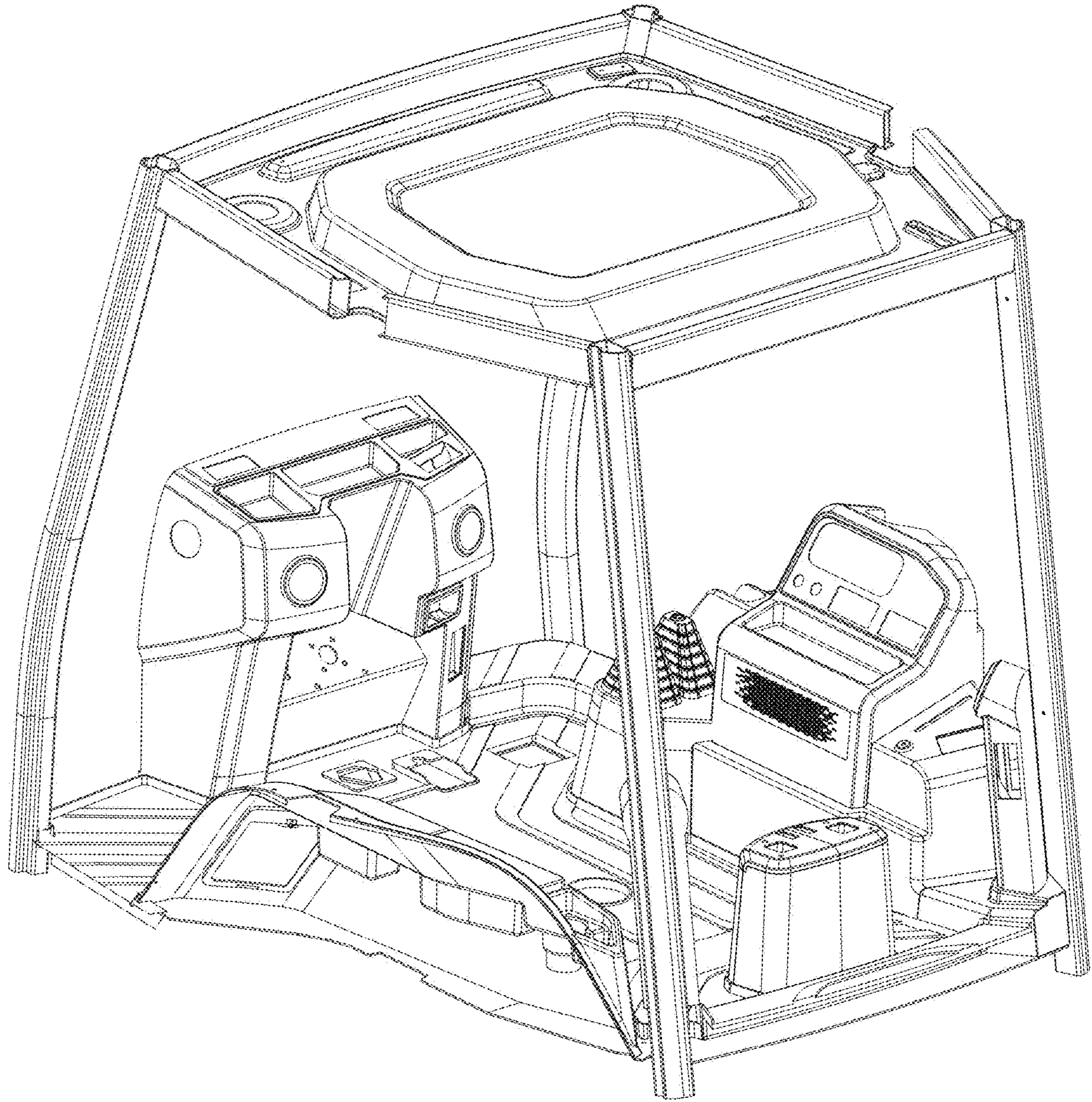


FIG. 2

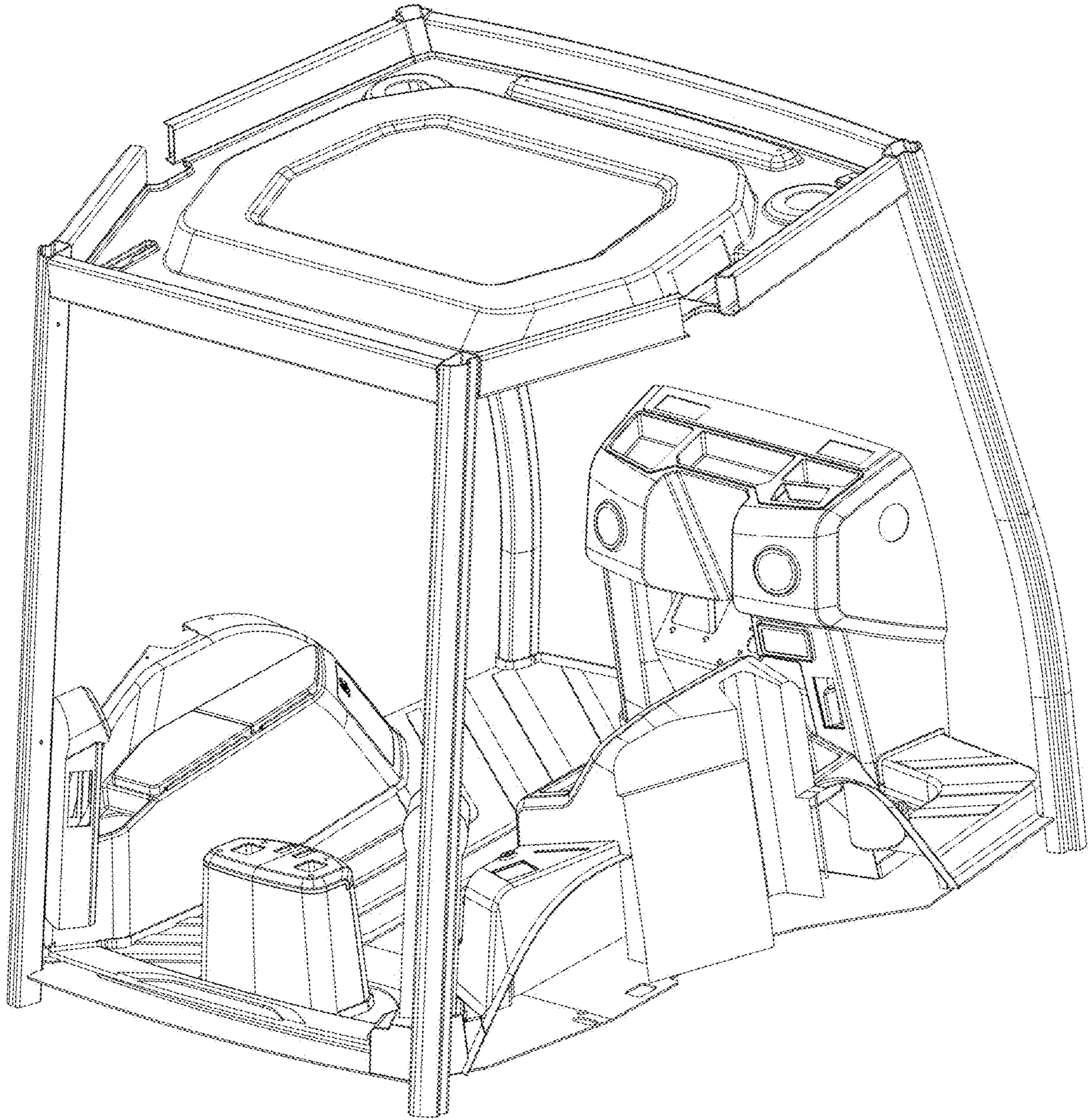


FIG. 3

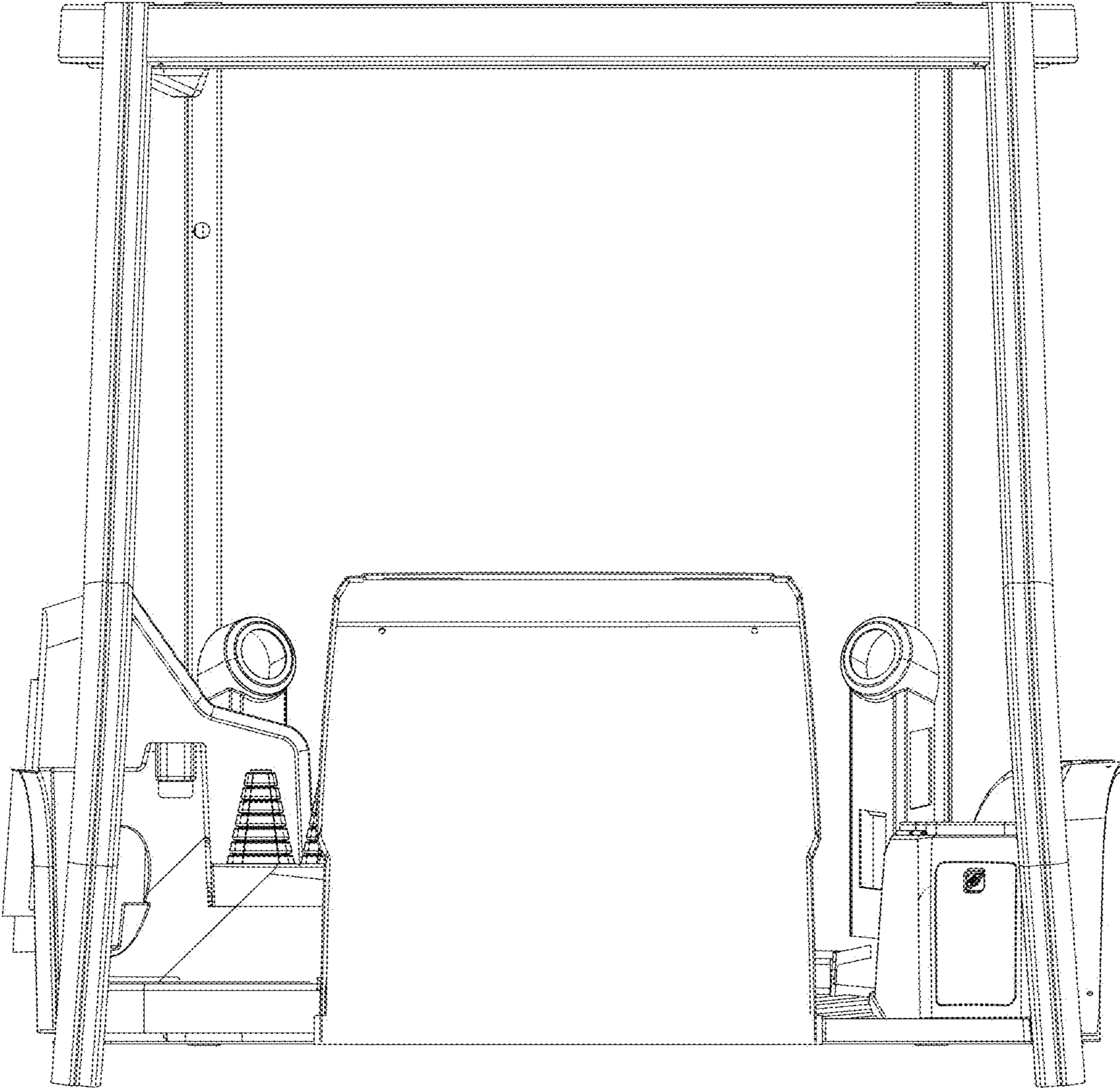


FIG. 4

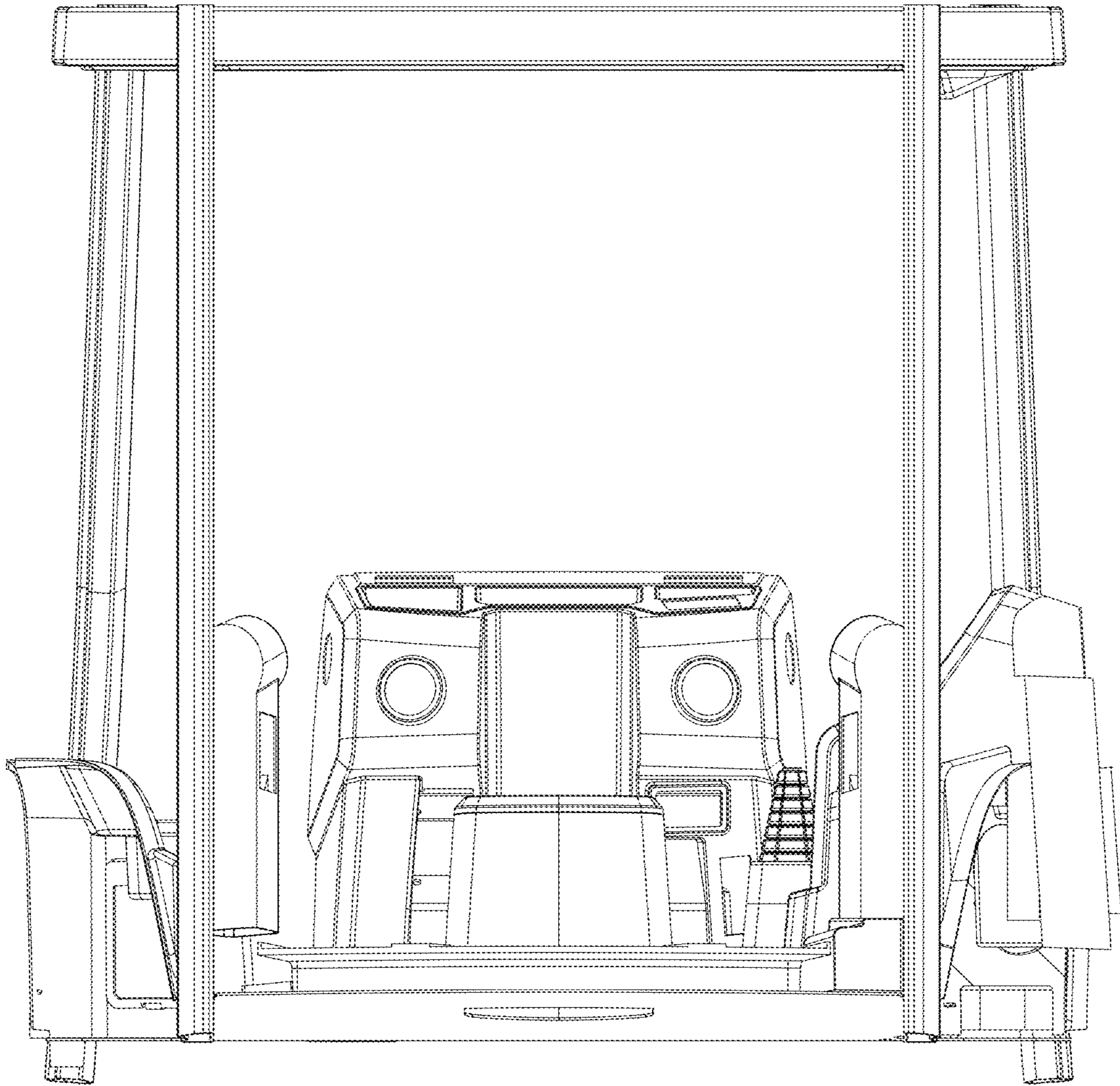


FIG. 5

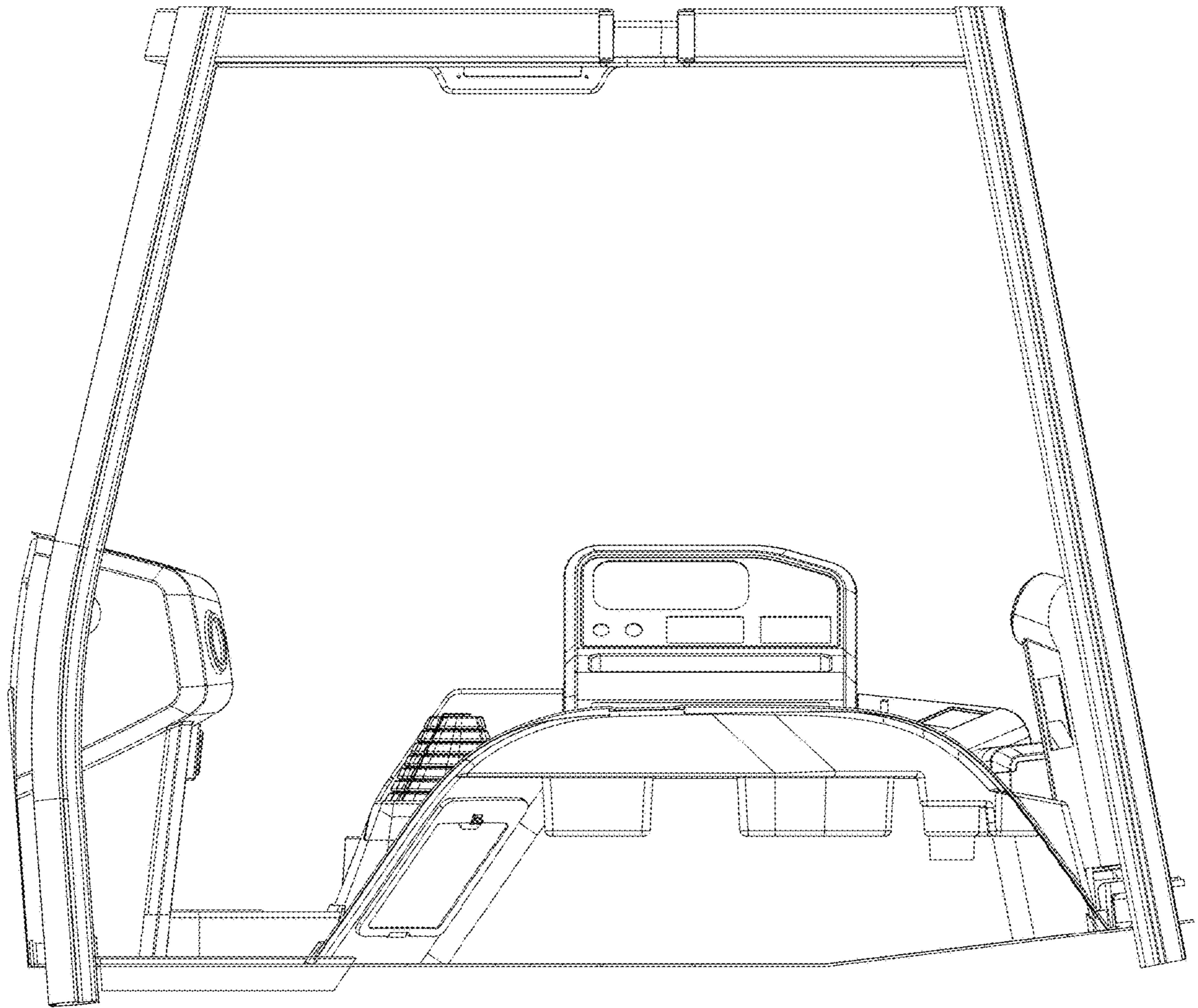


FIG. 6

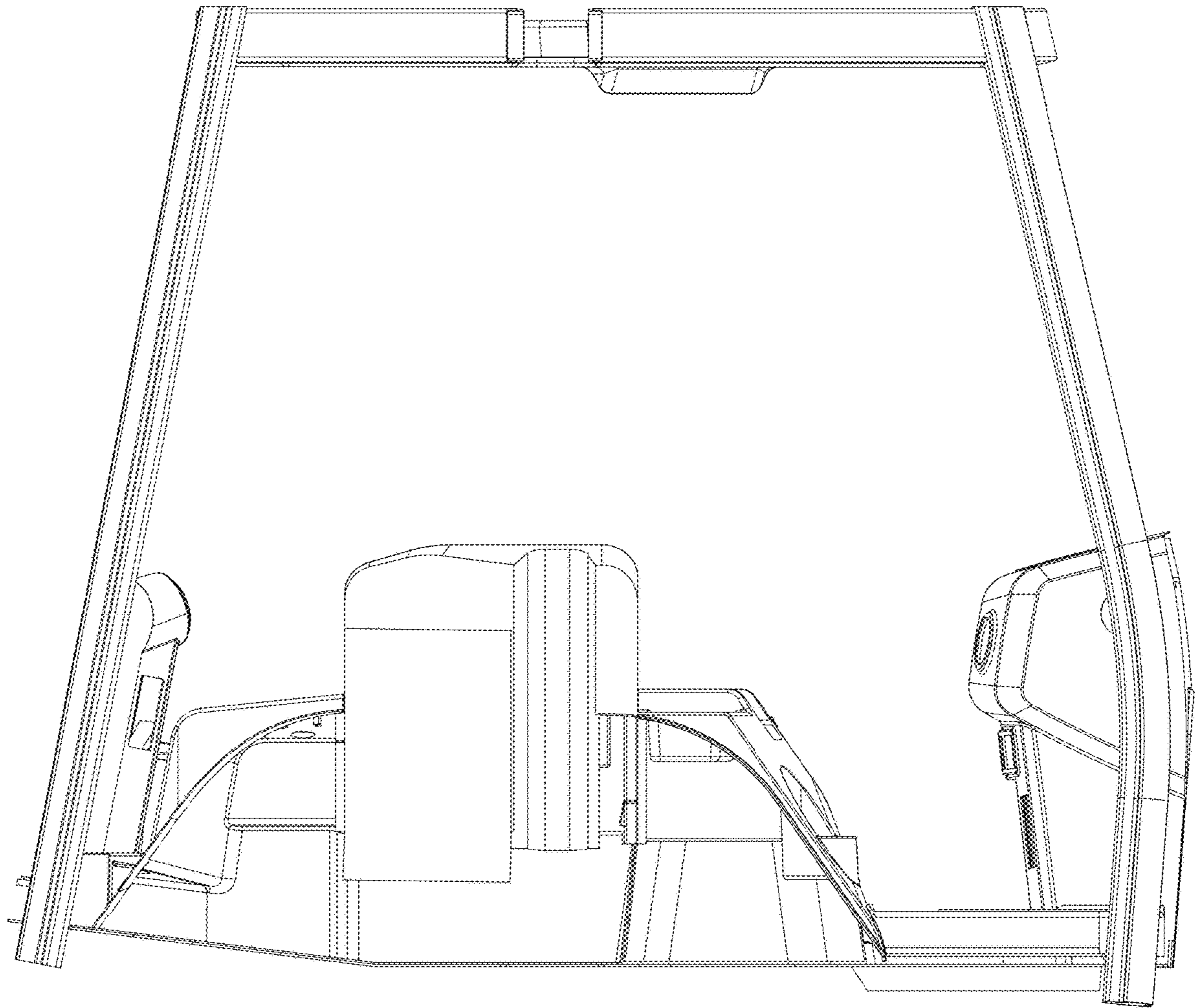


FIG. 7

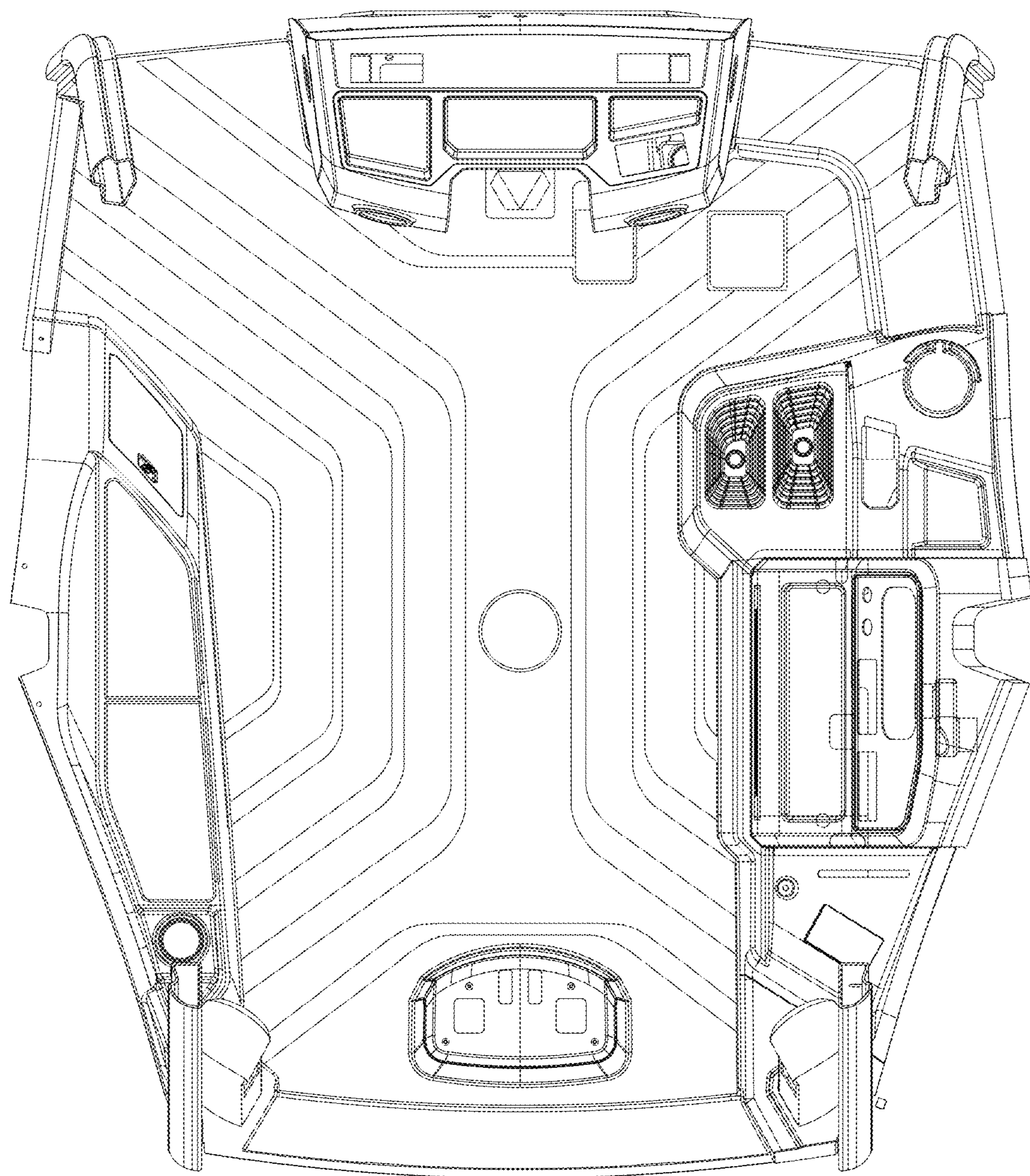


FIG. 8