



US00D941364S

(12) **United States Design Patent**
Balma

(10) **Patent No.:** **US D941,364 S**
(45) **Date of Patent:** **** Jan. 18, 2022**

(54) **COMPRESSOR WITH COMPRESSOR SHELL**

(71) Applicant: **FNA S.p.A.**, Robassomero (IT)

(72) Inventor: **Roberto Balma**, Robassomero (IT)

(73) Assignee: **FNA S.P.A.**, Robassomero (IT)

(**) Term: **15 Years**

(21) Appl. No.: **29/709,701**

(22) Filed: **Oct. 16, 2019**

(30) **Foreign Application Priority Data**

Apr. 16, 2019 (EM) 006379418

(51) **LOC (13) Cl.** **15-02**

(52) **U.S. Cl.**
USPC **D15/9**

(58) **Field of Classification Search**
USPC D15/7-9; D23/231-232; D13/103;
D24/111

CPC F04B 41/00; F04B 41/02-06; F04B 31/00;
F04B 35/00; F04B 53/92; F04B 1/005;
F04B 23/00; F02M 37/04; F02M 37/14

See application file for complete search history.

(56) **References Cited**

U.S. PATENT DOCUMENTS

D667,467 S *	9/2012	Kosugi	D15/9
D668,683 S *	10/2012	Balma	D15/9
D680,555 S *	4/2013	Craig	D15/7
D710,903 S *	8/2014	Vintzel	D15/9
D776,168 S *	1/2017	Balma	D15/9
D898,776 S *	10/2020	Gao	D15/9
D902,259 S *	11/2020	Vintzel	D15/9
2013/0062140 A1 *	3/2013	White	F04B 39/0061 181/200

2016/0290329 A1 *	10/2016	Hernandez	F04B 41/02
2019/0120222 A1 *	4/2019	Hathcock	F04B 35/04
2020/0378394 A1 *	12/2020	Morimura	F04B 49/08

OTHER PUBLICATIONS

FINI, FINI Siltek S/6 Quiet Compressor, (first available Sep. 14, 2019), Amazon.de website, URL:<<https://www.amazon.de/dp/B07XVSGQ1T>> (Year: 2019).*

FINI, "I'm not an expert but great compressor"—FINI Siltek S/6 Quiet Compressor review by Federico, (customer review date Oct. 14, 2019), Amazon.it website, URL:<https://www.amazon.it/SILTEK-Compressore-Silenzioso-Manometri-Rosso/product-reviews/B07XVSGQ1T/ref=cm_cr_getr_d_paging_btm_prev_11?ie=UTF8&reviewerType=all_reviews&sortBy=recent&pageNumber=11> (Year: 2019).*

* cited by examiner

Primary Examiner — Calvin E Vansant

Assistant Examiner — Mark T. Philipps

(74) *Attorney, Agent, or Firm* — Workman Nydegger

(57) **CLAIM**

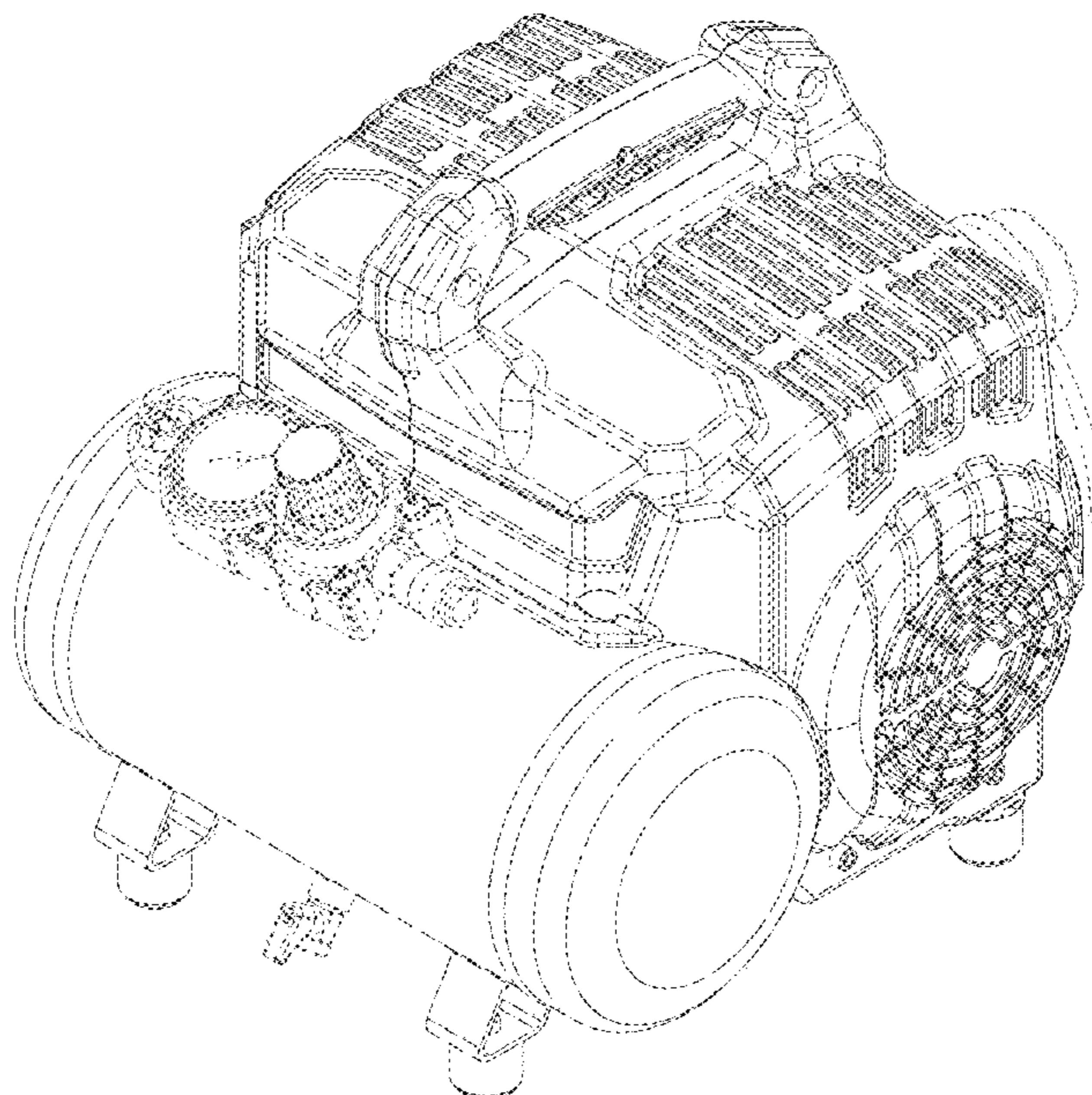
The ornamental design for a compressor with compressor shell, as shown and described.

DESCRIPTION

FIG. 1 is a top, front, right perspective view of a compressor in accordance with the present invention; FIG. 2 is a top, rear, right perspective view thereof; FIG. 3 is an elevated facing view thereof; FIG. 4 is an elevated right side view thereof; FIG. 5 is an elevated rear view thereof; FIG. 6 is an elevated left side view thereof; FIG. 7 is a top plan view thereof; and, FIG. 8 is a bottom plan view thereof.

The broken lines depict portions of the article that form no part of the claimed design.

1 Claim, 8 Drawing Sheets



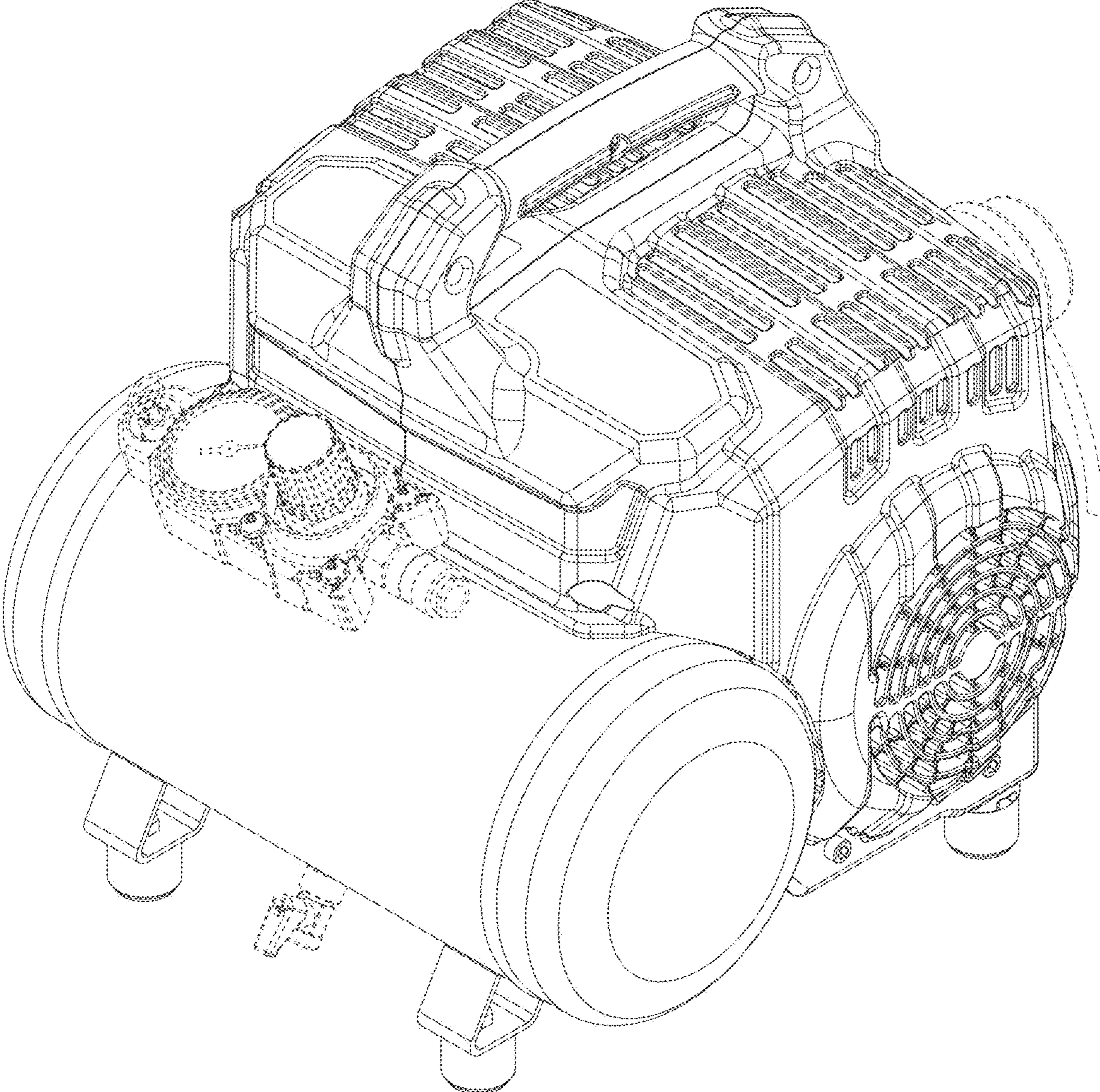


FIG. 1

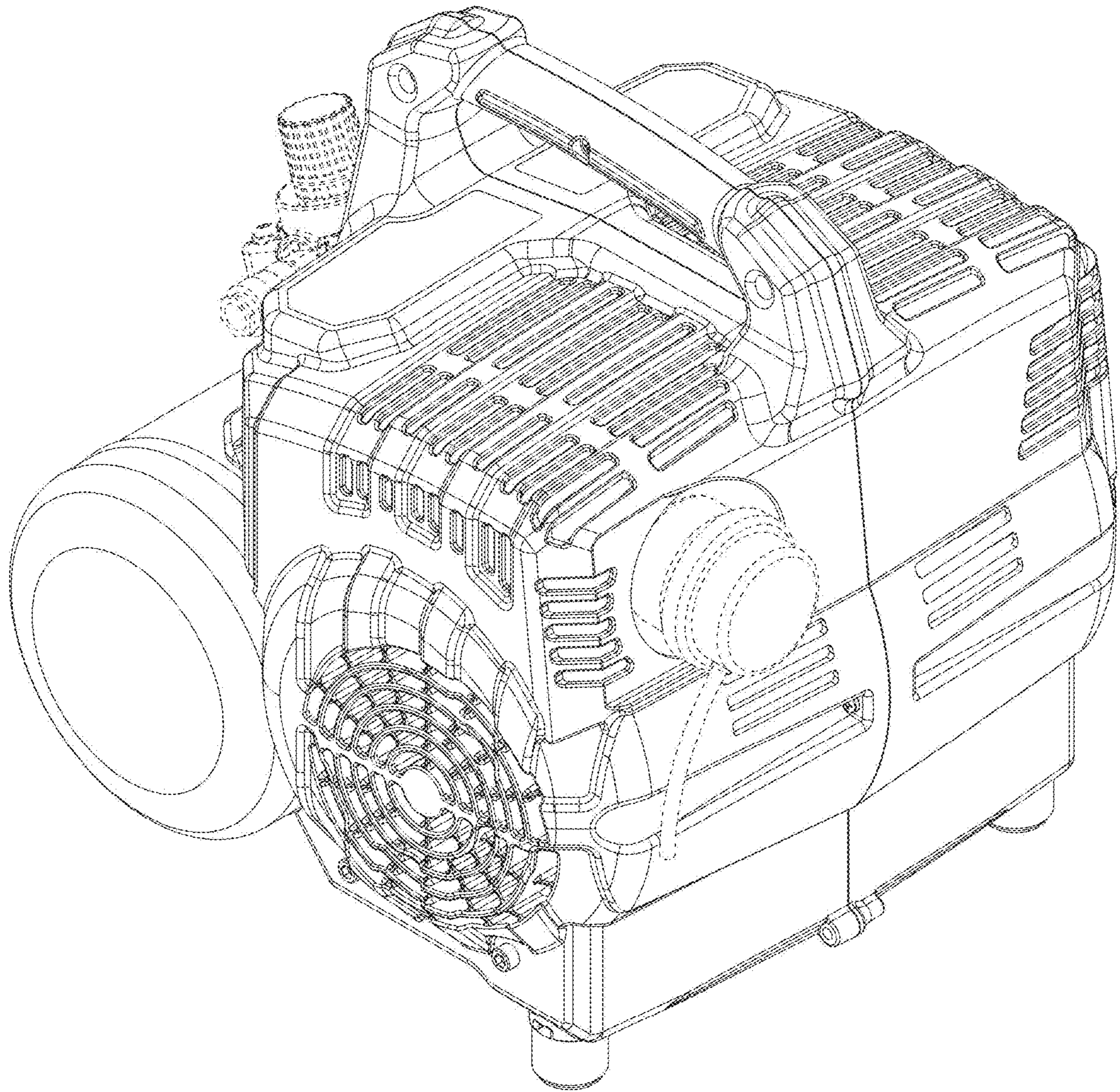


FIG. 2

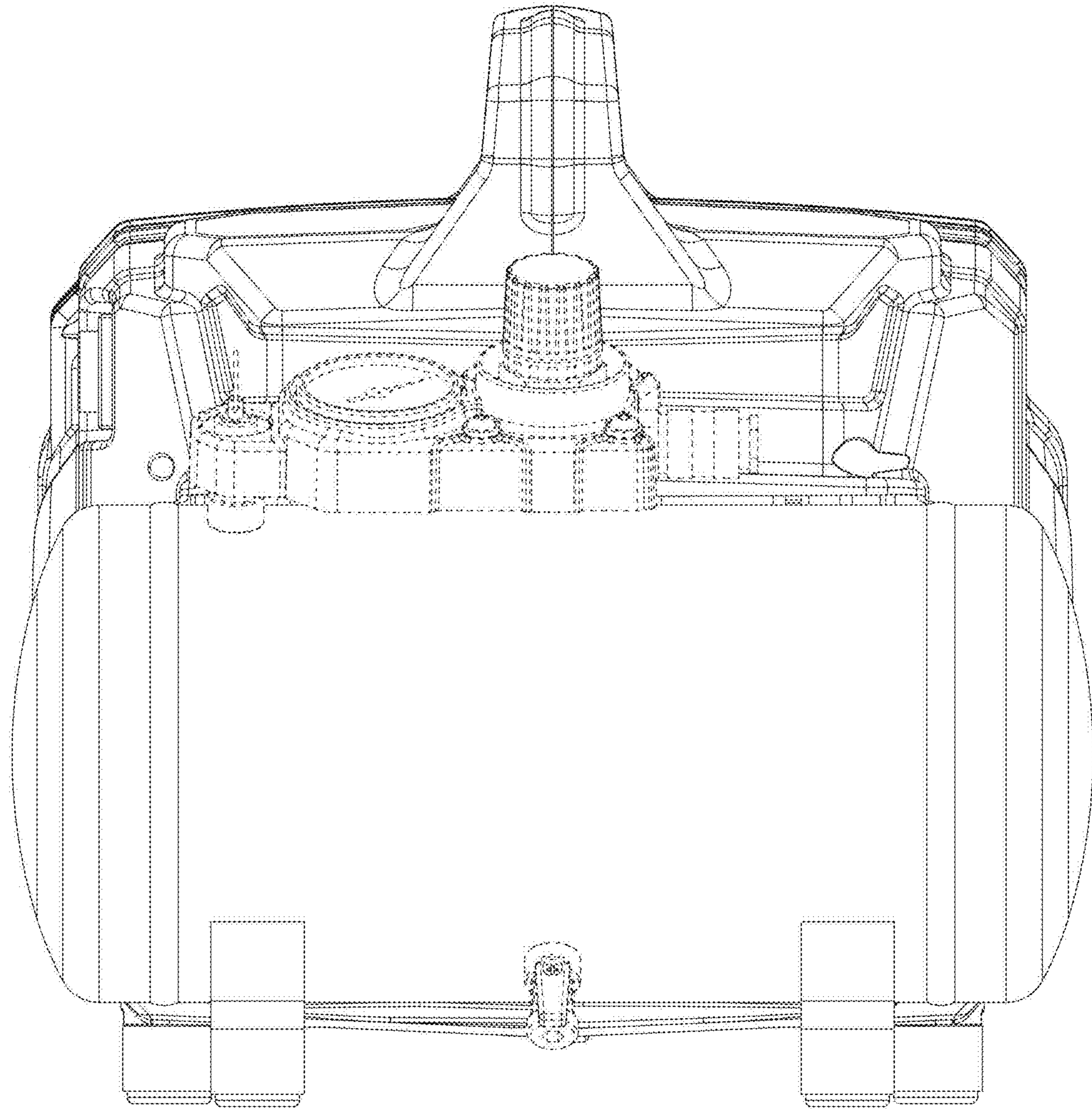


FIG. 3

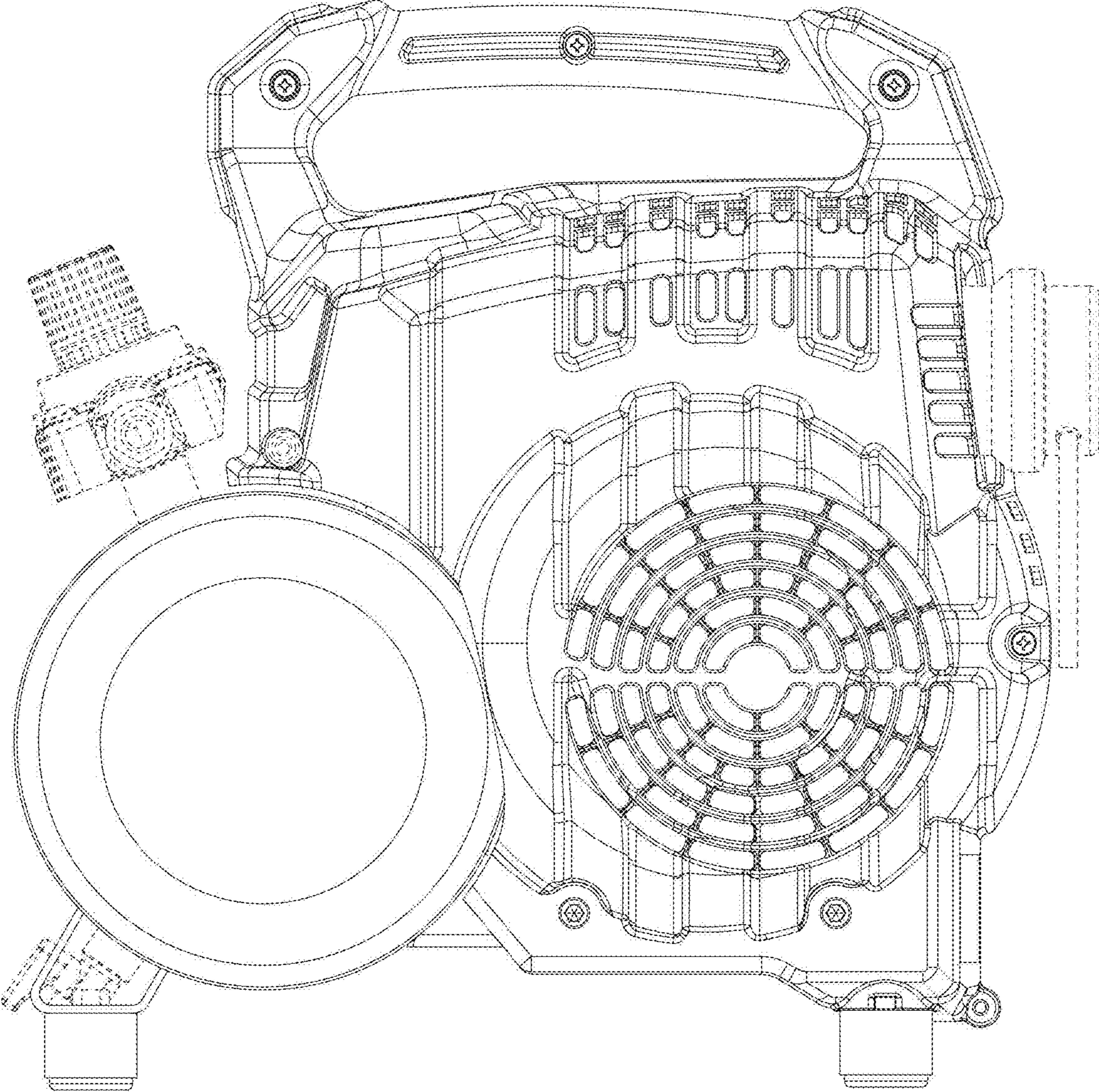


FIG. 4

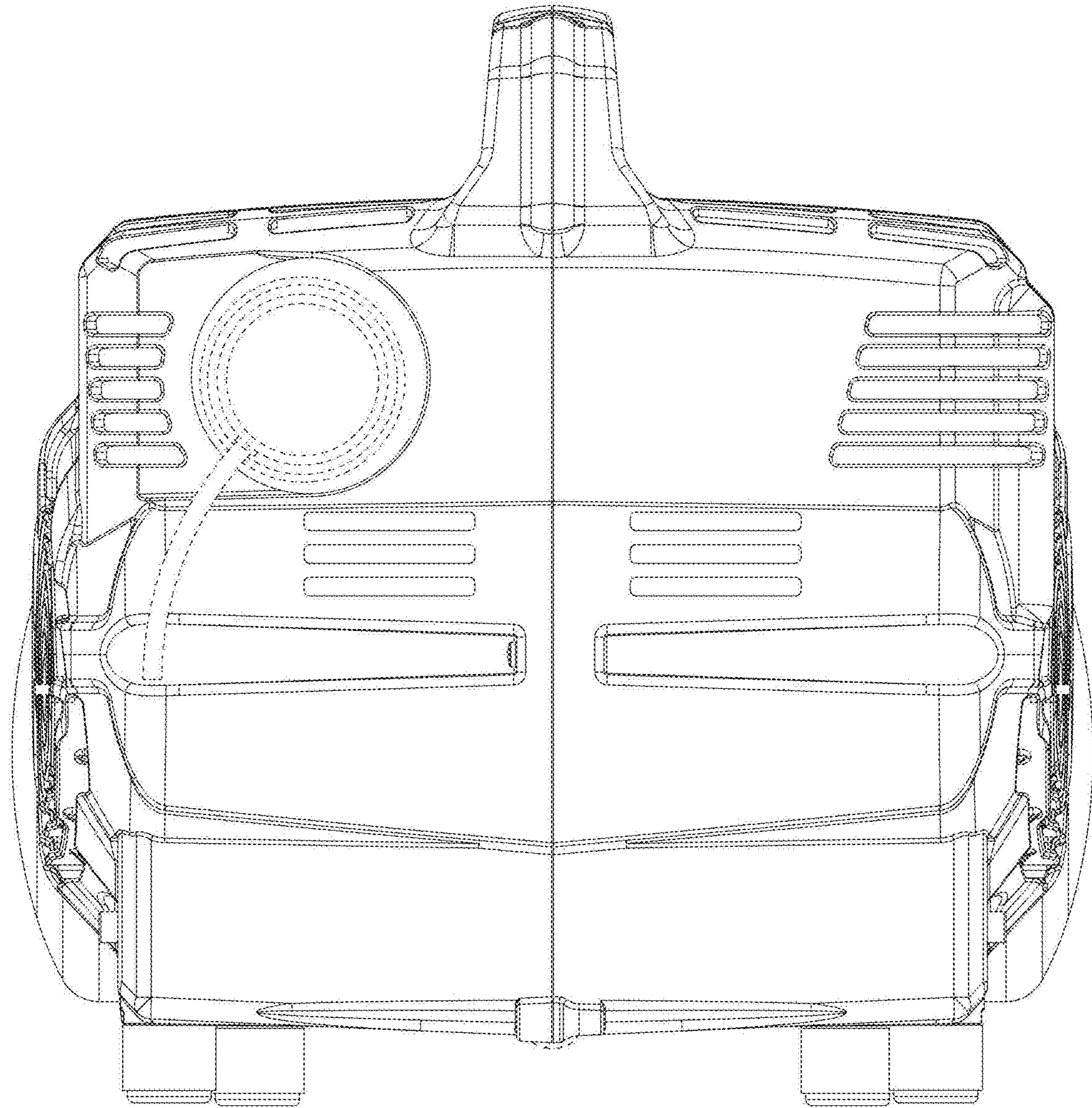


FIG. 5

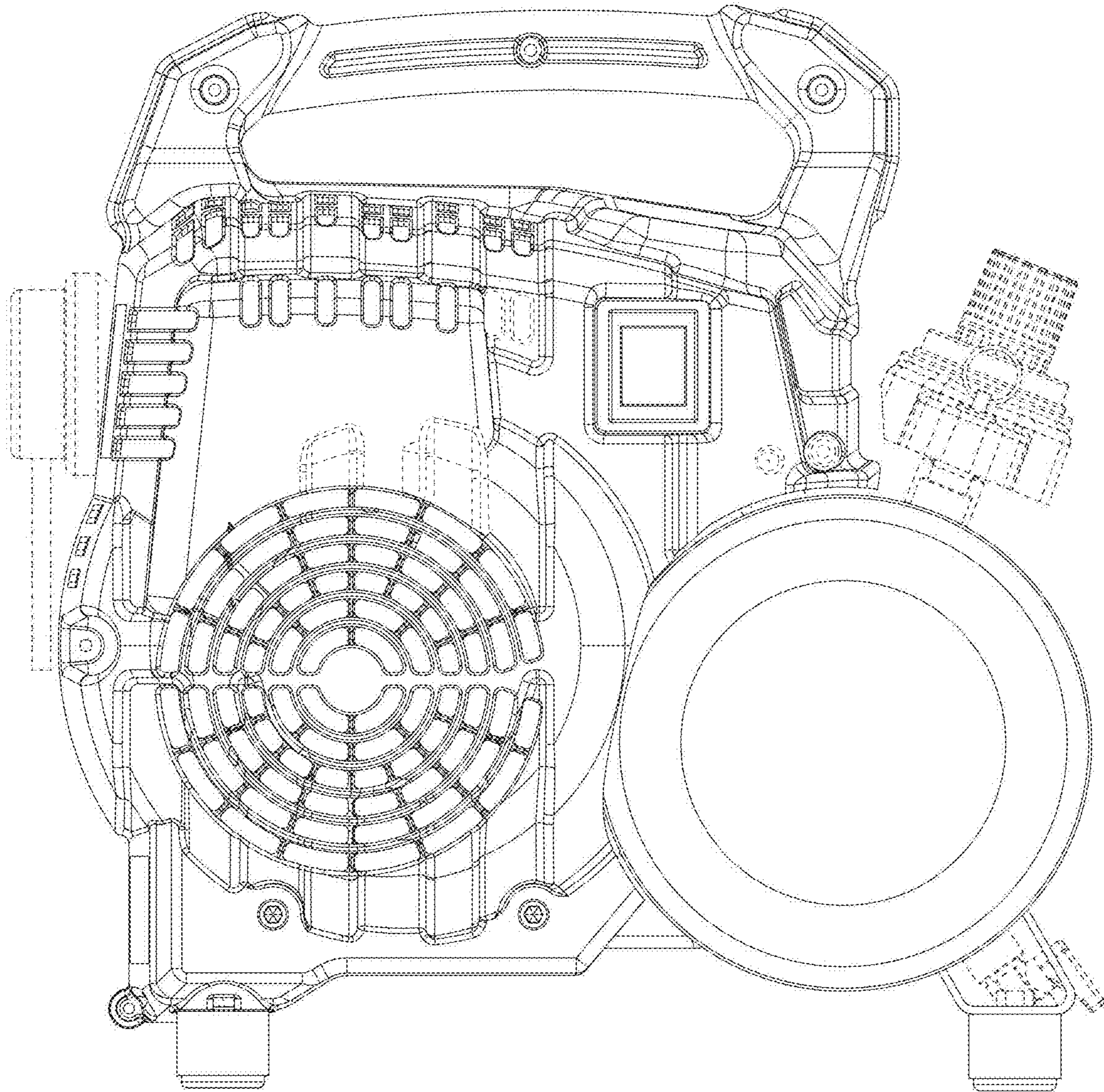


FIG. 6

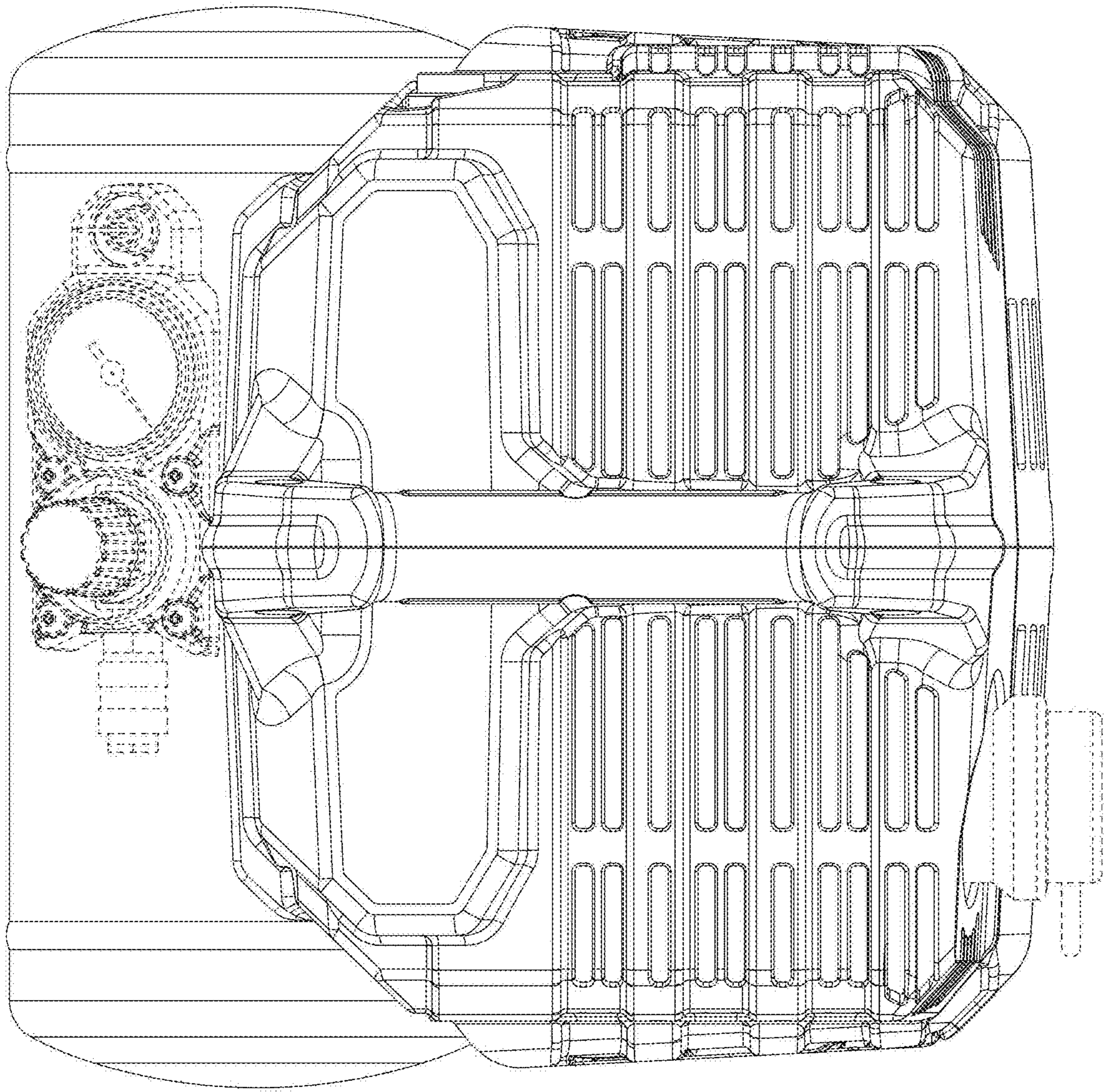


FIG. 7

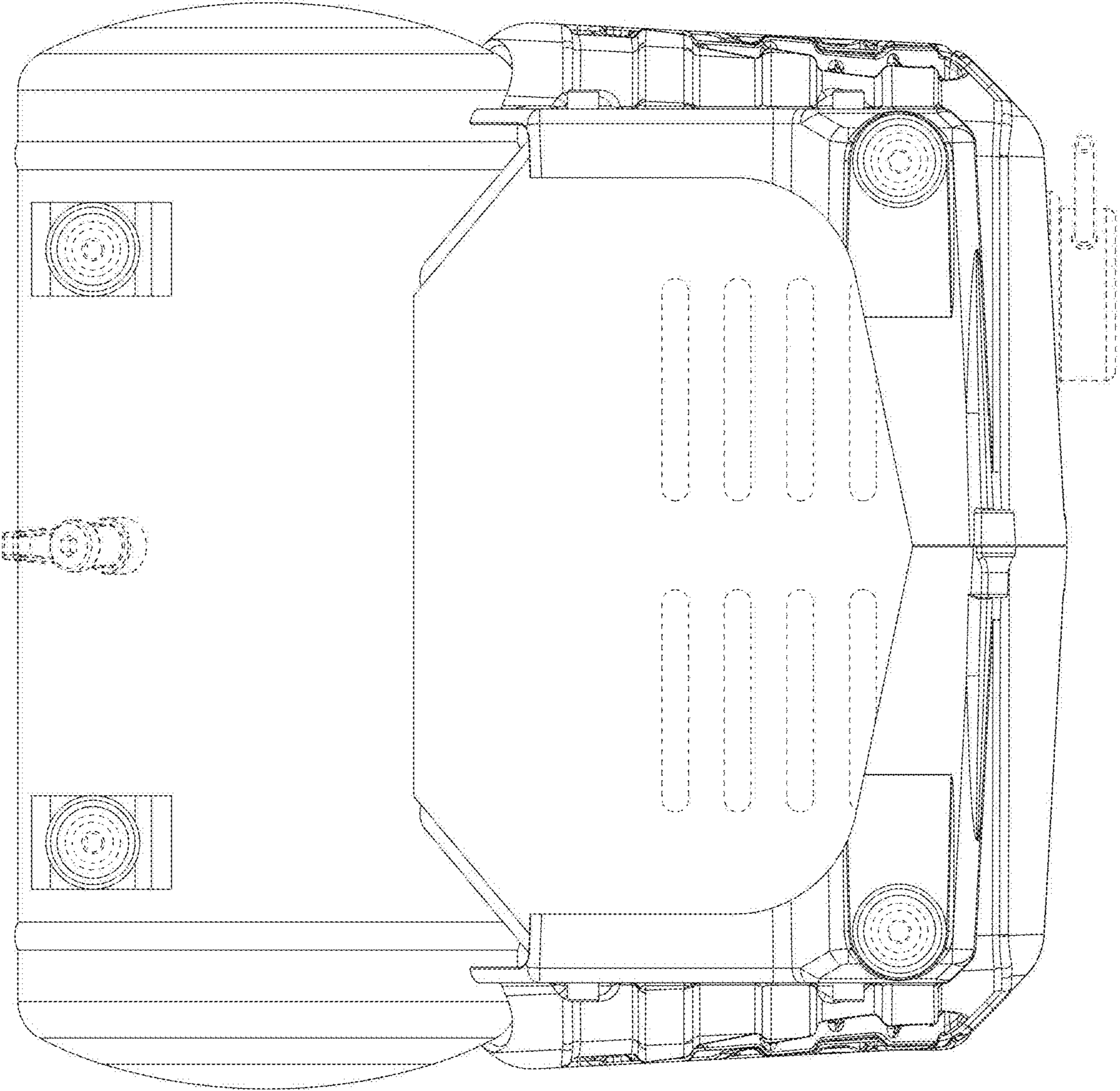


FIG. 8