



US00D941362S

(12) **United States Design Patent**
Corcoran

(10) **Patent No.:** **US D941,362 S**
(45) **Date of Patent:** **** Jan. 18, 2022**

- (54) **MOTOR MOUNTING BRACKET**
- (71) Applicant: **Nidec Motor Corporation**, St. Louis, MO (US)
- (72) Inventor: **Marc J. Corcoran**, St. Charles, MO (US)
- (73) Assignee: **Nidec Motor Corporation**
- (**) Term: **15 Years**
- (21) Appl. No.: **29/729,127**
- (22) Filed: **Mar. 24, 2020**
- (51) **LOC (13) Cl.** **15-01**
- (52) **U.S. Cl.**
USPC **D15/5**
- (58) **Field of Classification Search**
USPC D15/1, 2, 3, 4, 5; D13/118; D8/16, 19, D8/349, 354; D12/223
CPC F04D 29/023; F04D 29/00; F04D 29/60; F04D 29/263
See application file for complete search history.

(56) **References Cited**

U.S. PATENT DOCUMENTS

- D315,859 S * 4/1991 Carroll B60K 5/00 D8/357
- 5,475,275 A * 12/1995 Dohogne H02K 5/15 310/89
- 5,610,461 A * 3/1997 Dohogne H02K 5/15 310/89
- 6,688,609 B2 * 2/2004 Shaffer F16L 23/16 277/609
- D560,470 S * 1/2008 Short D8/354
- D579,319 S * 10/2008 Short D8/354
- D601,936 S * 10/2009 Mirabal D12/223
- D604,150 S * 11/2009 Lee D12/114
- D658,040 S * 4/2012 Ghatikar D8/354

- D737,863 S * 9/2015 Singh F04D 29/023 D15/7
- 2016/0176283 A1 * 6/2016 Hicke B60K 5/00 180/292
- 2017/0367550 A1 * 12/2017 Shiozawa F04D 29/44
- 2018/0306197 A1 * 10/2018 Lewis F04D 29/023

* cited by examiner

Primary Examiner — Ania Aman

(74) *Attorney, Agent, or Firm* — Hovey Williams LLP

(57) **CLAIM**

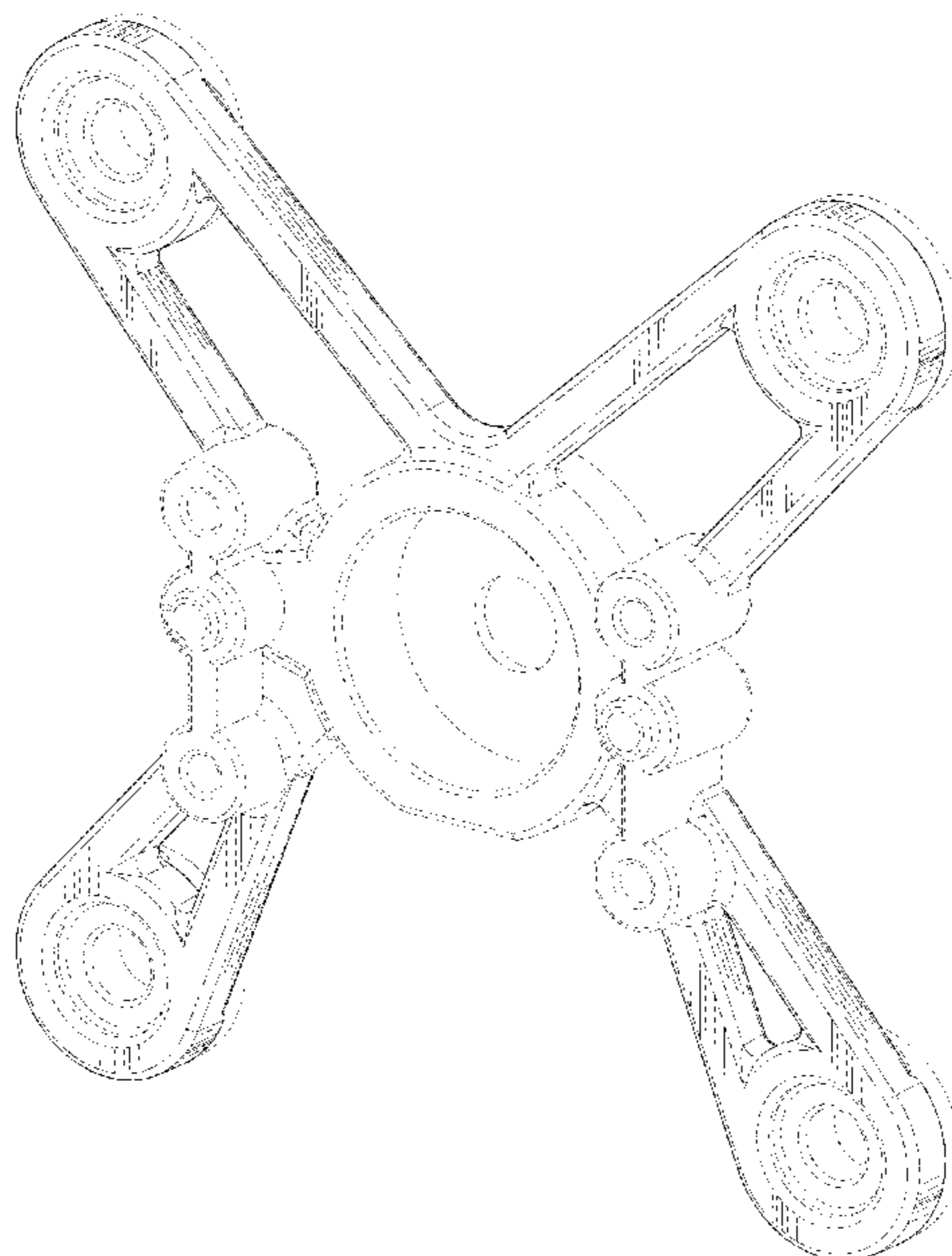
The ornamental design for a motor mounting bracket, as shown and described.

DESCRIPTION

FIG. 1 is a front perspective view of a motor mounting bracket showing our new design;
 FIG. 2 is a front perspective view of the motor mounting bracket shown in FIG. 1;
 FIG. 3 is a rear perspective view of the motor mounting bracket;
 FIG. 4 is a front elevation view of the motor mounting bracket;
 FIG. 5 is a top elevation view of the motor mounting bracket;
 FIG. 6 is a bottom elevation view of the motor mounting bracket;
 FIG. 7 is a left side elevation view of the motor mounting bracket, with the opposite side elevation view being a mirror image thereof; and,
 FIG. 8 is a rear elevation view of the motor mounting bracket.

In the drawings, the evenly spaced broken lines shown in the Figures depict environmental subject matter only and form no part of the claimed design. The dash-dot-dot broken lines define the boundary of the claimed design and form no part of the claimed design.

1 Claim, 6 Drawing Sheets



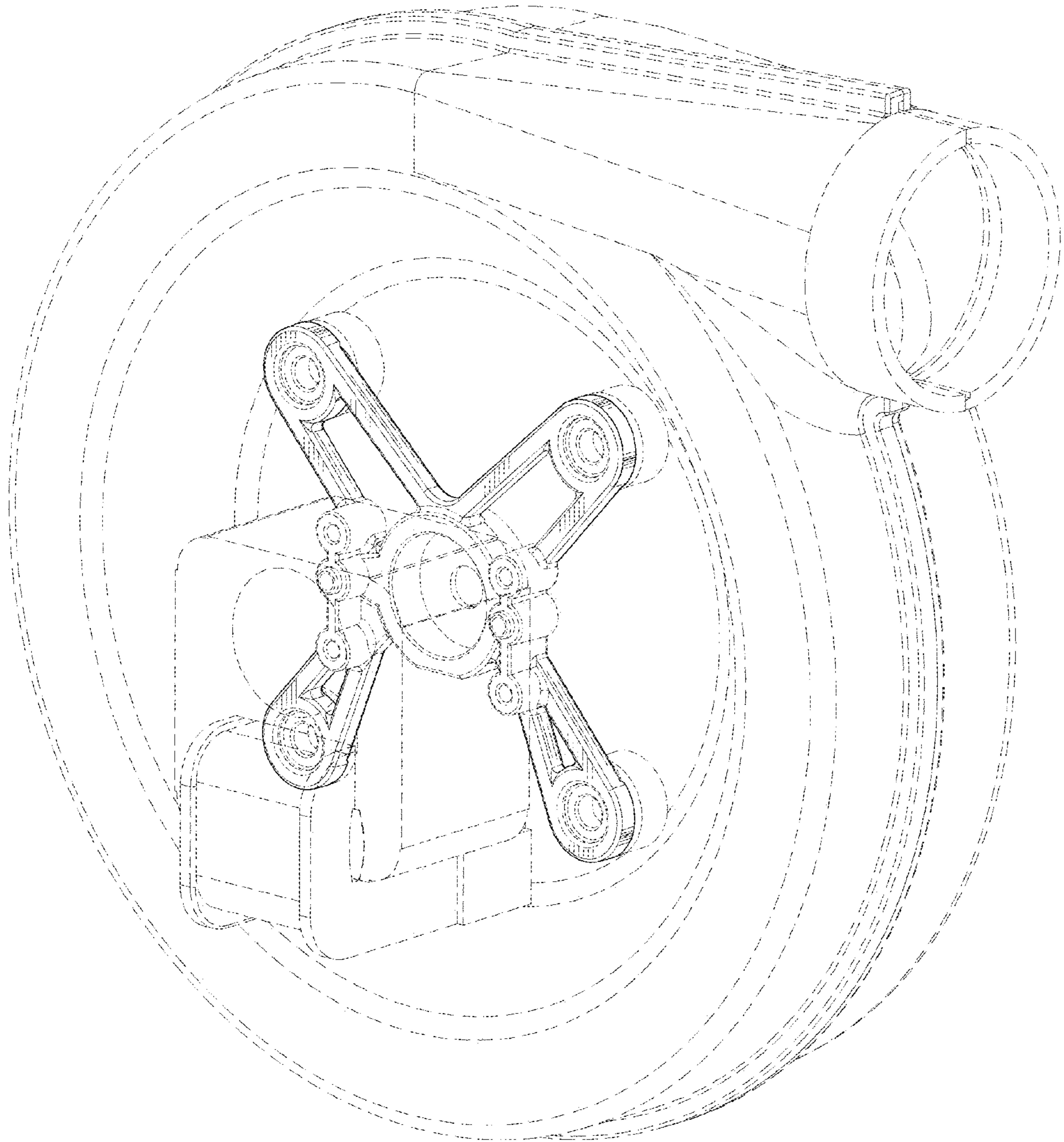


Fig. 1

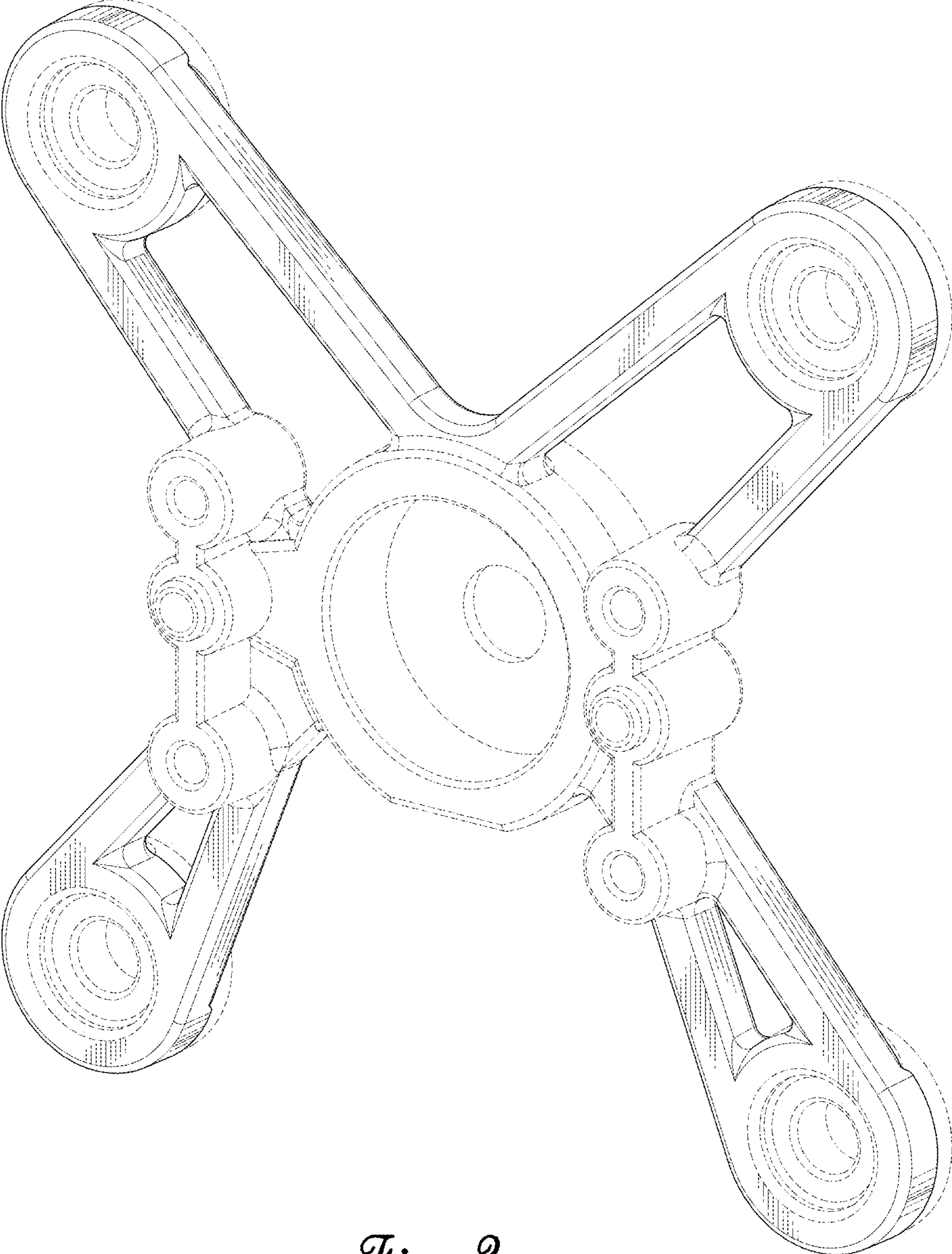


Fig. 2

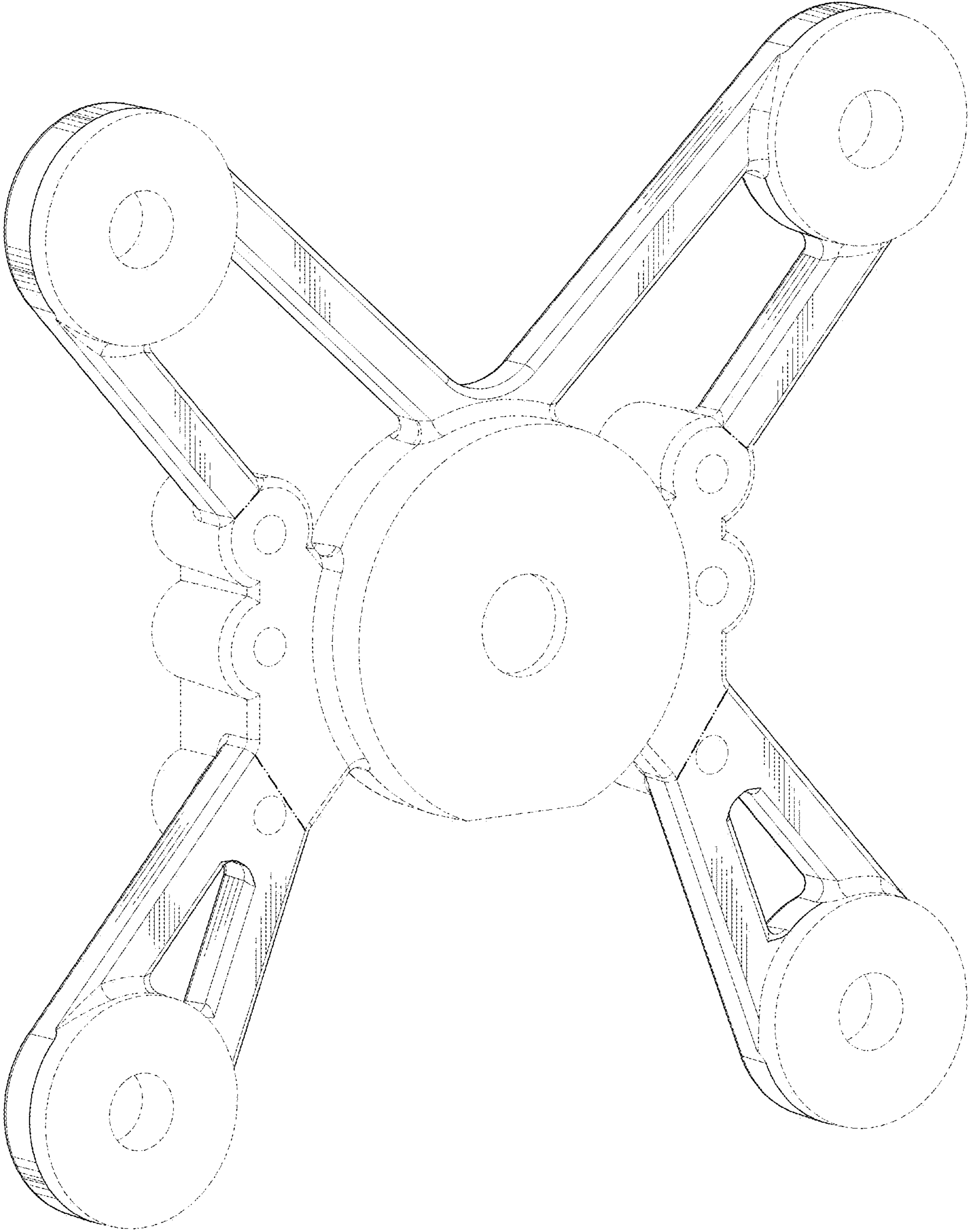
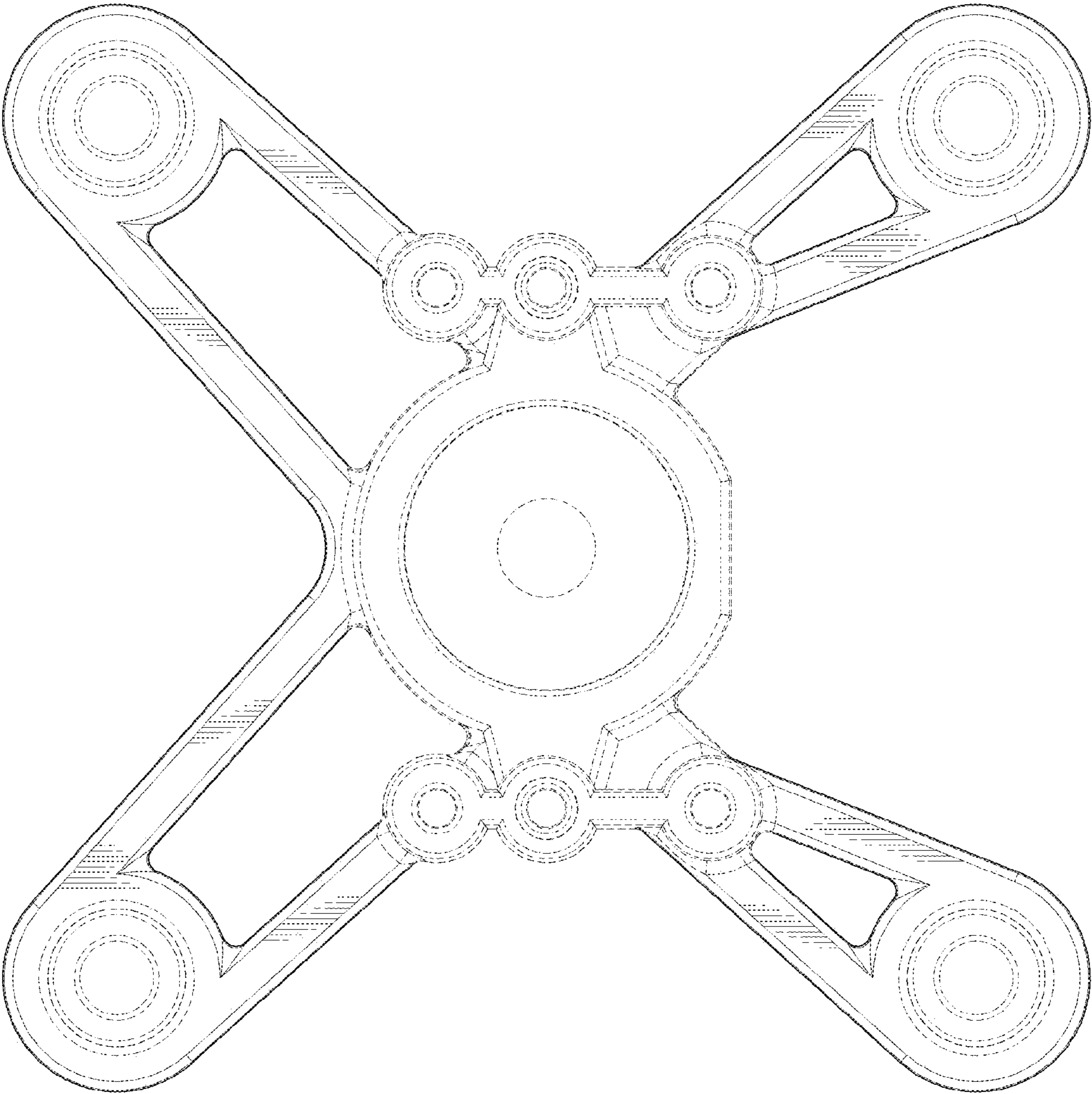


Fig. 3

Fig. 4



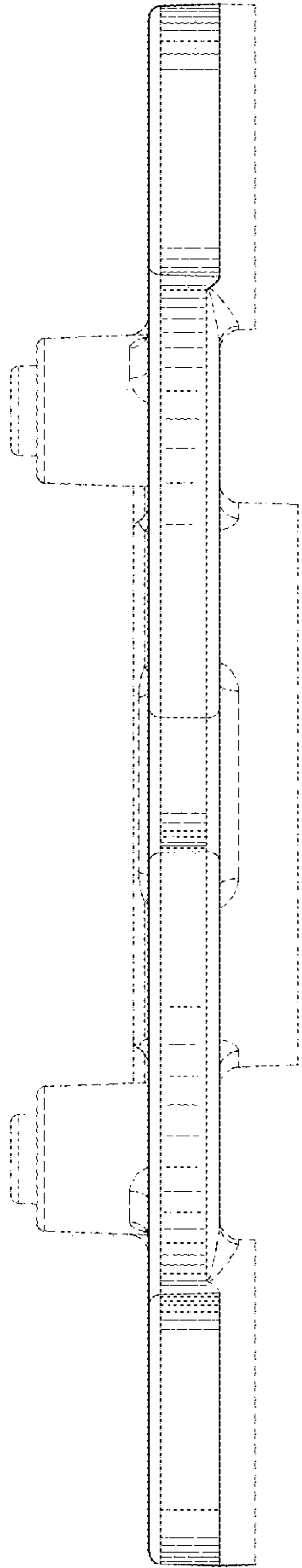


Fig. 5

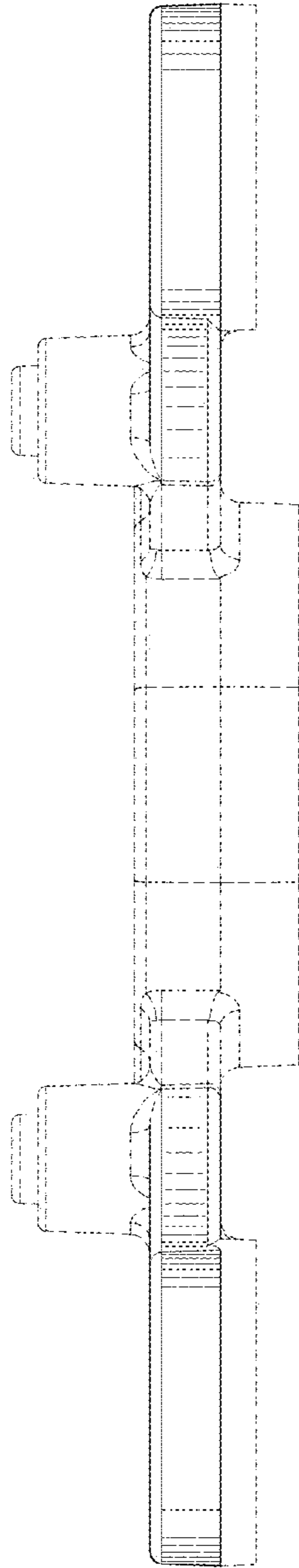


Fig. 6

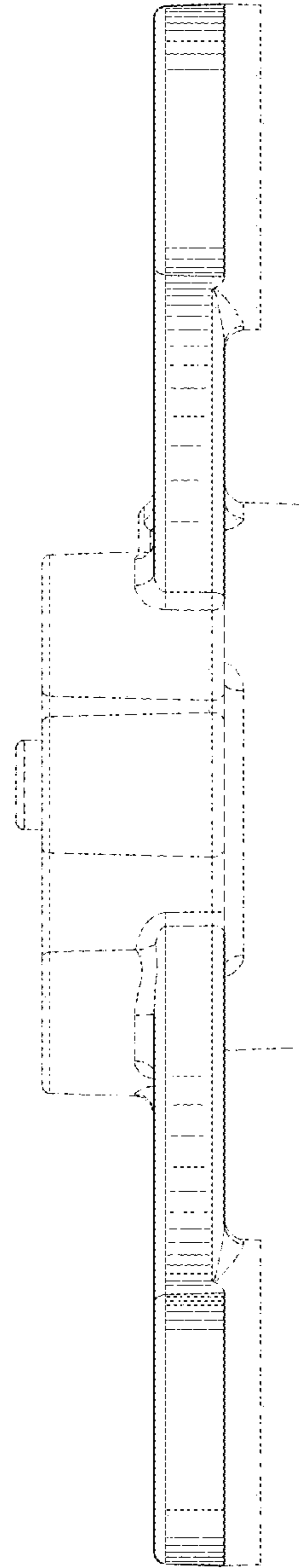


Fig. 7

Fig. 8

