



US00D941338S

(12) **United States Design Patent**
Nishikawa

(10) **Patent No.:** **US D941,338 S**
(45) **Date of Patent:** **** Jan. 18, 2022**

(54) **DISPLAY SCREEN OR PORTION THEREOF WITH GRAPHICAL USER INTERFACE**

G06K 9/00791; G08G 1/167; G08G 1/0112; H04N 21/41422; H04W 4/48

See application file for complete search history.

(71) Applicant: **Nissan Motor Co., Ltd.**, Kanagawa (JP)

(56) **References Cited**

(72) Inventor: **Tomohiro Nishikawa**, Kanagawa (JP)

U.S. PATENT DOCUMENTS

(73) Assignee: **Nissan Motor Co., Ltd.**, Yokohama (JP)

5,949,346 A * 9/1999 Suzuki G09F 9/33 340/815.45

D729,826 S * 5/2015 Clement D14/486
(Continued)

(**) Term: **15 Years**

(21) Appl. No.: **29/796,893**

OTHER PUBLICATIONS

(22) Filed: **Jun. 28, 2021**

Baltariu, Remus "Car Dashboard" Mar. 9, 2017, Dribbble, site visited Jul. 2, 2021: <https://dribbble.com/shots/3351208-Car-Dashboard> (Year: 2017).*

(Continued)

Related U.S. Application Data

(62) Division of application No. 29/700,984, filed on Aug. 7, 2019.

Primary Examiner — Jack Reickel

Assistant Examiner — Christopher M Spivey

(74) *Attorney, Agent, or Firm* — Global IP Counselors, LLP

(30) **Foreign Application Priority Data**

Feb. 8, 2019 (JP) 2019-002704
Feb. 8, 2019 (JP) 2019-002705
Feb. 8, 2019 (JP) 2019-002706
Feb. 8, 2019 (JP) 2019-002707

(57) **CLAIM**

The ornamental design for a display screen or portion thereof with graphical user interface, as shown and described.

(51) **LOC (13) Cl.** **14-04**

(52) **U.S. Cl.**
USPC **D14/486**

DESCRIPTION

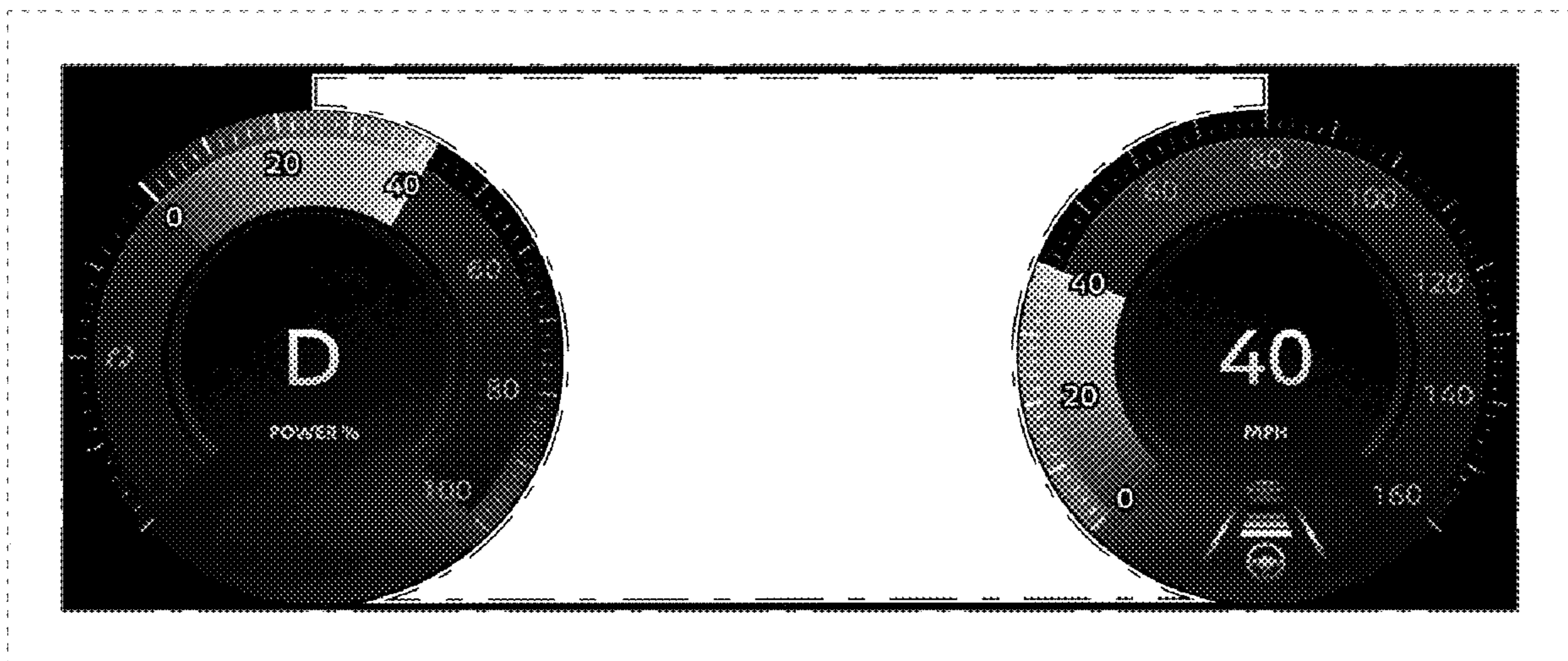
(58) **Field of Classification Search**

USPC D14/485-495; D12/192; 340/435, 441, 340/903; 116/62.1; 701/301, 96
CPC B60K 2370/155; B60K 2370/11; B60K 2370/1438; B60K 2310/22; B60K 37/00; B60W 30/143; B60W 30/08; B60W 30/12; B60W 30/146; B60W 30/16; B60W 2050/146; B60W 50/14; B60W 50/0098; B60W 50/08; B60W 2554/804; B60W 2555/60; G01C 21/3658; G01S 2013/932; G06F 3/04847; G06F 3/0488; G06F 3/04817; G06F 3/0482; G06F 3/0484; G06F 11/3065; G06F 11/328;

FIG. 1 is a perspective view of the first embodiment of a display screen or portion thereof with graphical user interface showing our new design; and, FIG. 2 is a front view thereof.

The broken line showing of a display screen or portion thereof is for the purpose of illustrating environmental structure and forms no part of the claimed design. The dot-dash line(s) define the bounds of the claimed design and form no part thereof.

1 Claim, 2 Drawing Sheets



(56)

References Cited

U.S. PATENT DOCUMENTS

D729,829 S 5/2015 Amin et al.
 D733,722 S * 7/2015 Ueda D14/485
 D798,889 S 10/2017 Mochel et al.
 D800,149 S 10/2017 Messineo, Jr. et al.
 D842,898 S * 3/2019 Takeuchi D14/492
 D922,411 S * 6/2021 Kogler D14/485
 D932,514 S * 10/2021 Lindberg D14/490
 2008/0048879 A1 * 2/2008 Lipman G01D 5/39
 340/688
 2008/0309475 A1 12/2008 Kuno et al.
 2013/0211623 A1 * 8/2013 Thompson B60L 3/0069
 701/2
 2015/0015376 A1 1/2015 Jenkins
 2015/0153936 A1 6/2015 Lim et al.
 2015/0352956 A1 12/2015 Miuchi et al.
 2017/0210371 A1 7/2017 Fraser et al.
 2017/0227759 A1 8/2017 Kobayashi et al.
 2017/0282744 A1 * 10/2017 Koo B60W 50/085
 2018/0001903 A1 * 1/2018 Nagy B60W 30/09
 2018/0018083 A1 1/2018 Cengil et al.
 2018/0040114 A1 * 2/2018 Stroupe G06F 11/3688
 2018/0286242 A1 * 10/2018 Talamonti B60W 30/14
 2018/0336423 A1 * 11/2018 Ban B60W 40/04

2019/0066368 A1 2/2019 Paul et al.
 2020/0219398 A1 7/2020 Shimizu et al.
 2021/0129673 A1 * 5/2021 Tomaru B60R 16/02

OTHER PUBLICATIONS

Johnson, Kasper “Speedometer Concept” Oct. 21, 2014, Dribbble, site visited Jul. 2, 2021: <https://dribbble.com/shots/1775119-Speedometer-Concept> (Year: 2014).*

Oprisor, Sorin “Instrument Cluster” Mar. 1, 2018, Dribbble, site visited Jul. 2, 2021: <https://dribbble.com/shots/4287524-Instrument-Cluster> (Year: 2018).*

“Car cluster concept design” Nov. 4, 2016, Dribbble, site visited Jul. 2, 2021: <https://dribbble.com/shots/3069196-car-cluster-concept-design> (Year: 2016).*

“Modern car interior, shallow DOF. selective focus, color toned image” Jul. 10, 2015, Depositphotos, site visited Jul. 2, 2021: <https://depositphotos.com/77634514/stock-photo-modern-car-interior.html> (Year: 2015).*

“Volvo unveils their intellSafe Auto Pilot autonomous driving interface [video]” Oct. 5, 2015, Motor1, site visited Dec. 26, 2020; <https://www.motor1.com/photos/431672/volvo-unveils-auto-pilot-autonomous-driving-interface-video/> (Year: 2015).

* cited by examiner

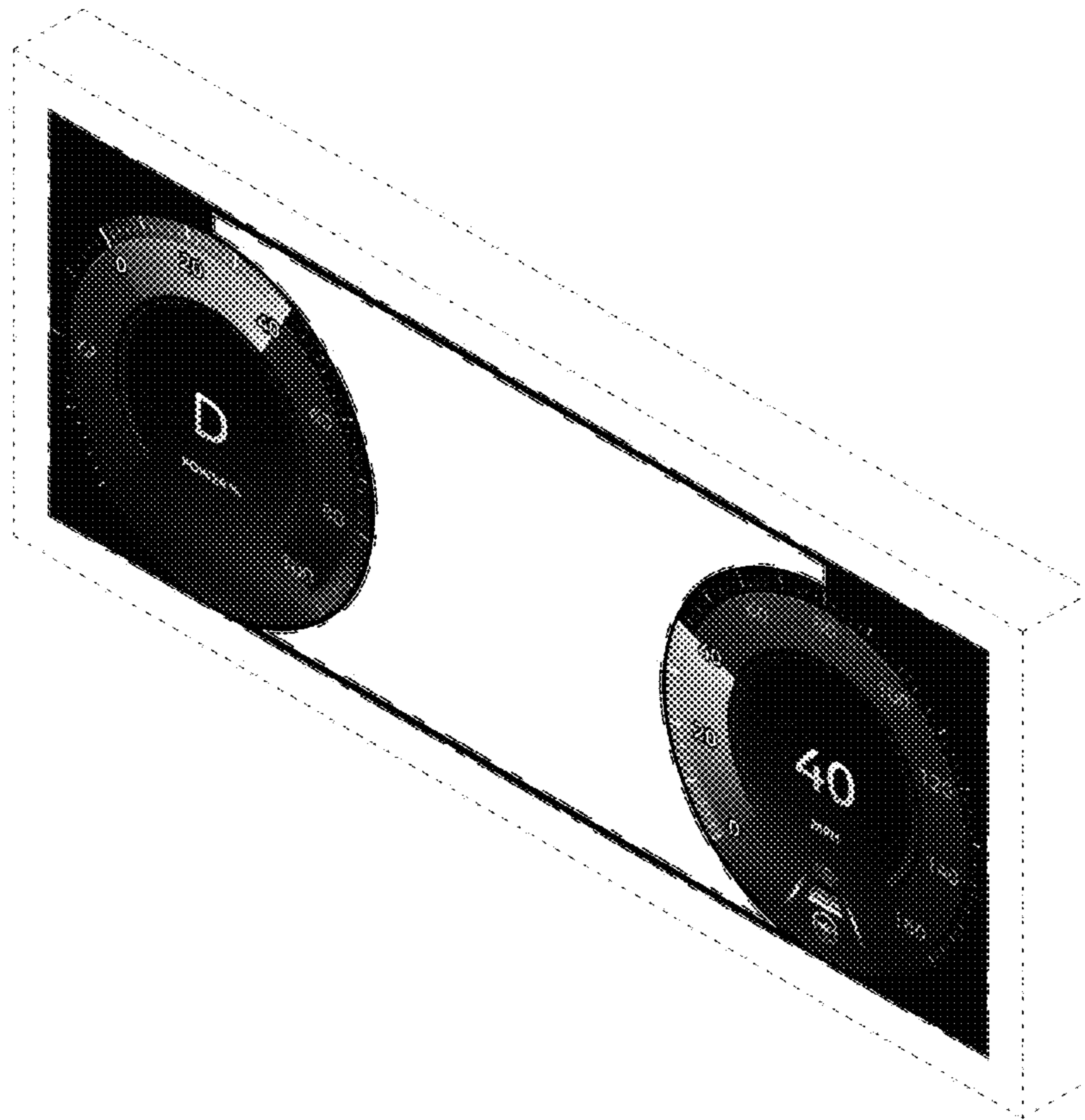


FIG. 1

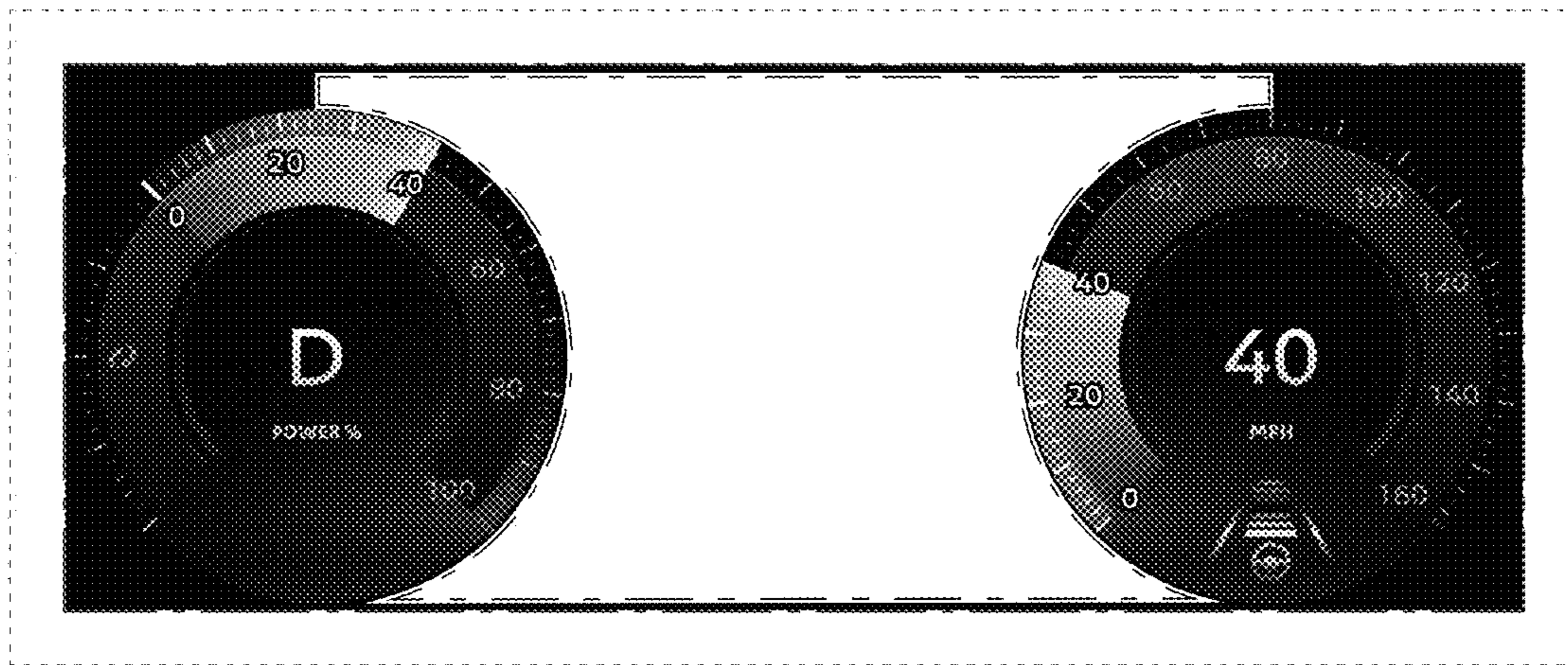


FIG. 2