



US00D941323S

(12) **United States Design Patent**
Nishikawa

(10) **Patent No.:** **US D941,323 S**
(45) **Date of Patent:** **** Jan. 18, 2022**

(54) **DISPLAY SCREEN OR PORTION THEREOF WITH GRAPHICAL USER INTERFACE**

(71) Applicant: **Nissan Motor Co., Ltd.**, Kanagawa (JP)

(72) Inventor: **Tomohiro Nishikawa**, Kanagawa (JP)

(73) Assignee: **Nissan Motor Co., Ltd.**, Yokohama (JP)

(**) Term: **15 Years**

(21) Appl. No.: **29/700,993**

(22) Filed: **Aug. 7, 2019**

(30) **Foreign Application Priority Data**

Feb. 8, 2019 (JP) 2019-002712

Feb. 8, 2019 (JP) 2019-002713

(Continued)

(51) **LOC (13) Cl.** **14-04**

(52) **U.S. Cl.**
USPC **D14/486**

(58) **Field of Classification Search**
USPC D14/485-495; D12/192; 340/435, 441, 340/903; 116/62.1; 701/301, 96; 702/63
(Continued)

(56) **References Cited**

U.S. PATENT DOCUMENTS

D307,127 S * 4/1990 Simons D12/192

D667,018 S * 9/2012 Clanton D14/485

(Continued)

FOREIGN PATENT DOCUMENTS

CN 304605120 * 5/2018

EM 003467752-0002 * 11/2016

KR 300871527.0000 * 9/2016

OTHER PUBLICATIONS

Tudose, Sergiu "Skoda Details New Karoq's Digital Instrument Panel [w/Video]" Aug. 18, 2017, CarScoops, site visited Dec. 31, 2020: <https://www.carscoops.com/2017/08/skoda-details-new-karoqs-digital/> (Year: 2017).*

(Continued)

Primary Examiner — Jack Reickel

Assistant Examiner — Christopher M Spivey

(74) *Attorney, Agent, or Firm* — Global IP Counselors, LLP

(57) **CLAIM**

The ornamental design for a display screen or portion thereof with graphical user interface, as shown and described.

DESCRIPTION

FIG. 1 is a perspective view of the first embodiment of a display screen or portion thereof with graphical user interface showing our new design;

FIG. 2 is a front view thereof showing the display screen in a first state;

FIG. 3 is a front view thereof showing the display screen in a second state;

FIG. 4 is a perspective view of the second embodiment of a display screen or portion thereof with graphical user interface showing our new design;

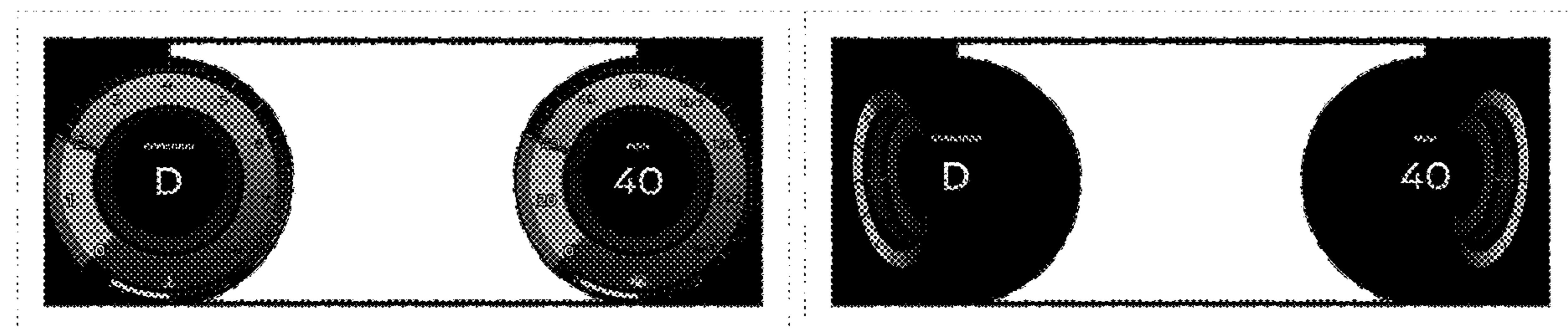
FIG. 5 is a front view thereof showing the display screen in a first state; and,

FIG. 6 is a front view thereof showing the display screen in a second state.

The appearance of the graphical user interface transitions between the images shown in FIGS. 2 and 3 in the first embodiment, and between the images shown in FIGS. 5 and 6 in the second embodiment. The process or period in which one image transitions to another forms no part of the claimed design.

The broken line showing of a display screen or portion thereof is for the purpose of illustrating environmental structure and forms no part of the claimed design. The dot-dash line(s) define the bounds of the claimed design and form no part thereof

1 Claim, 6 Drawing Sheets



(30) Foreign Application Priority Data

Feb. 8, 2019 (JP) 2019-002714
 Feb. 8, 2019 (JP) 2019-002715

(58) Field of Classification Search

CPC B60K 2370/155; B60K 2370/11; B60K 2370/1438; B60K 2310/22; B60K 37/00; B60W 30/143; B60W 30/08; B60W 30/12; B60W 30/146; B60W 30/16; B60W 2050/146; B60W 50/14; B60W 50/0098; B60W 50/08; B60W 2554/804; B60W 2555/60; G01C 21/3658; G01S 2013/932; G06F 3/04847; G06F 3/0488; G06F 3/04817; G06F 3/0482; G06F 3/0484; G06F 11/3065; G06F 11/328; G06K 9/00791; G08G 1/167; G08G 1/0112; H04N 21/41422; H04W 4/48; B60L 2240/441; B60L 50/61

See application file for complete search history.

(56) References Cited

U.S. PATENT DOCUMENTS

D706,283 S * 6/2014 Padilla D14/486
 D729,820 S * 5/2015 Yamasaki D14/485
 D729,826 S * 5/2015 Clement D14/486
 D746,835 S * 1/2016 Yamasaki D14/485
 D746,836 S * 1/2016 Mariet D14/486
 D842,898 S * 3/2019 Takeuchi D14/492
 D854,548 S * 7/2019 Ro D14/485
 10,730,389 B2 * 8/2020 Braun B60K 37/02
 D915,453 S * 4/2021 Meier D14/488
 D921,670 S * 6/2021 Kim D14/486
 2008/0309475 A1 * 12/2008 Kuno B60K 37/02
 340/462

2013/0211623 A1 * 8/2013 Thompson B60L 58/12
 701/2
 2015/0153936 A1 * 6/2015 Lim G06F 3/04883
 715/716
 2015/0352956 A1 * 12/2015 Miuchi B60W 40/10
 701/41
 2016/0328244 A1 * 11/2016 Ahmed B60K 35/00
 2016/0342406 A1 * 11/2016 Ahmed G06F 8/61
 2017/0227759 A1 * 8/2017 Kobayashi B60K 37/02
 2017/0253122 A1 * 9/2017 Jun B60K 35/00
 2018/0018083 A1 * 1/2018 Cengil B60K 37/06
 2018/0182241 A1 * 6/2018 Ahn G08G 1/0967
 2019/0071075 A1 * 3/2019 Mimura G08G 1/16
 2019/0204827 A1 * 7/2019 Bhalla G05D 1/0061
 2019/0329795 A1 * 10/2019 Palzer B60W 50/14
 2020/0219398 A1 * 7/2020 Shimizu B60W 30/18163
 2020/0247319 A1 * 8/2020 Shimizu G08G 1/16

OTHER PUBLICATIONS

Patel, Joel "Which New Car Has The Best Looking Instrument Panel Today?" Apr. 11, 2018, CarScoops, site visited Dec. 31, 2020: <https://www.carscoops.com/2018/04/new-car-best-looking-instrument-panel-today/> (Year: 2018).*

Oprisor, Sorin "Instrument Cluster" Mar. 1, 2018, Dribbble, site visited Jul. 2, 2021: <https://dribbble.com/shots/4287524-Instrument-Cluster> (Year: 2018).*

Zhao, Leo "HMI product design" Jul. 26, 2018, Dribbble, site visited Jul. 2, 2021: <https://dribbble.com/shots/4874978-HMI-product-design> (Year: 2018).*

D., Feng "Car UI Concept" Jun. 8, 2017, Dribbble, site visited Jul. 2, 2021: <https://dribbble.com/shots/3554414-Car-UI-Concept> (Year: 2017).*

Zhao, Leo "PHEV cluster design" Jul. 19, 2018, Dribbble, site visited Jul. 2, 2021: <https://dribbble.com/shots/4849088-PHEV-cluster-design> (Year: 2018).*

* cited by examiner

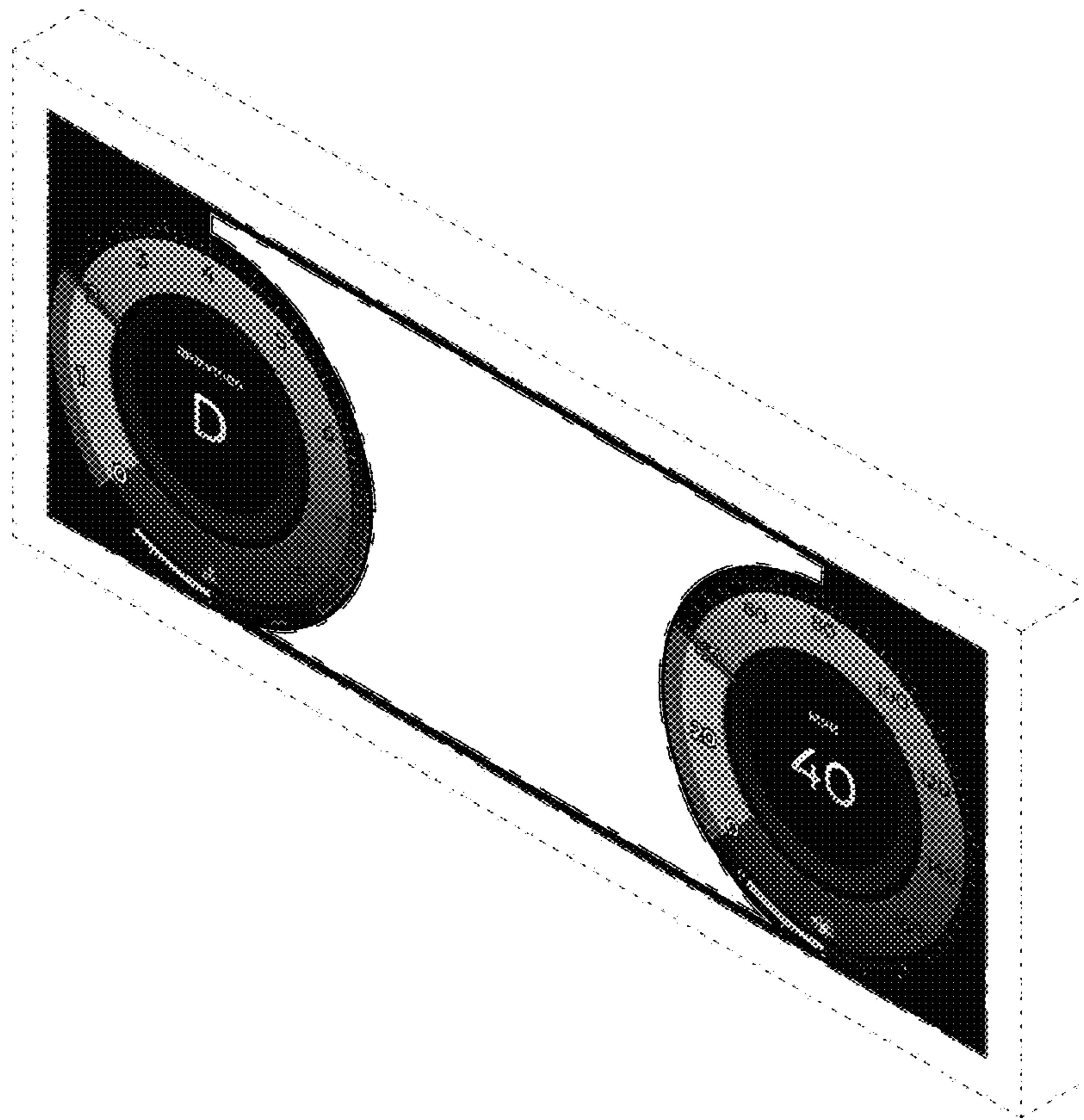


FIG. 1

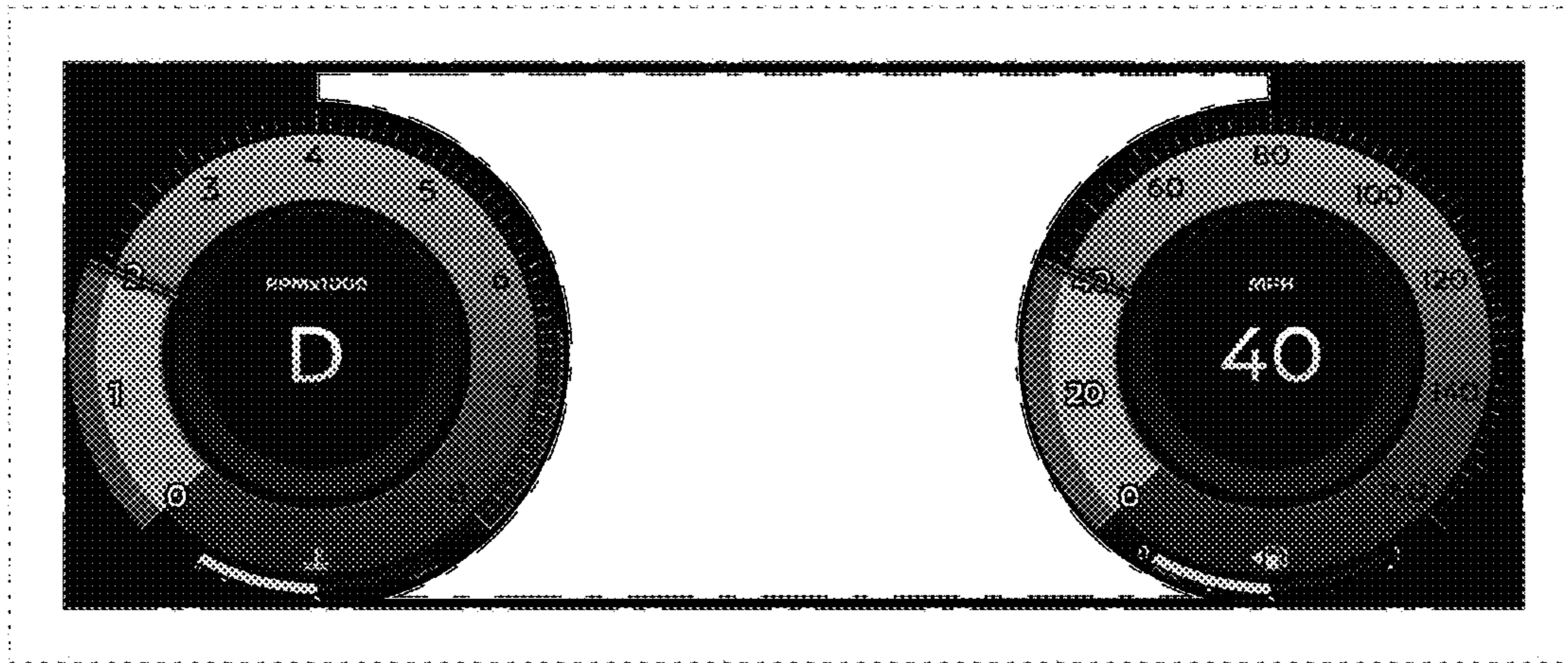


FIG. 2

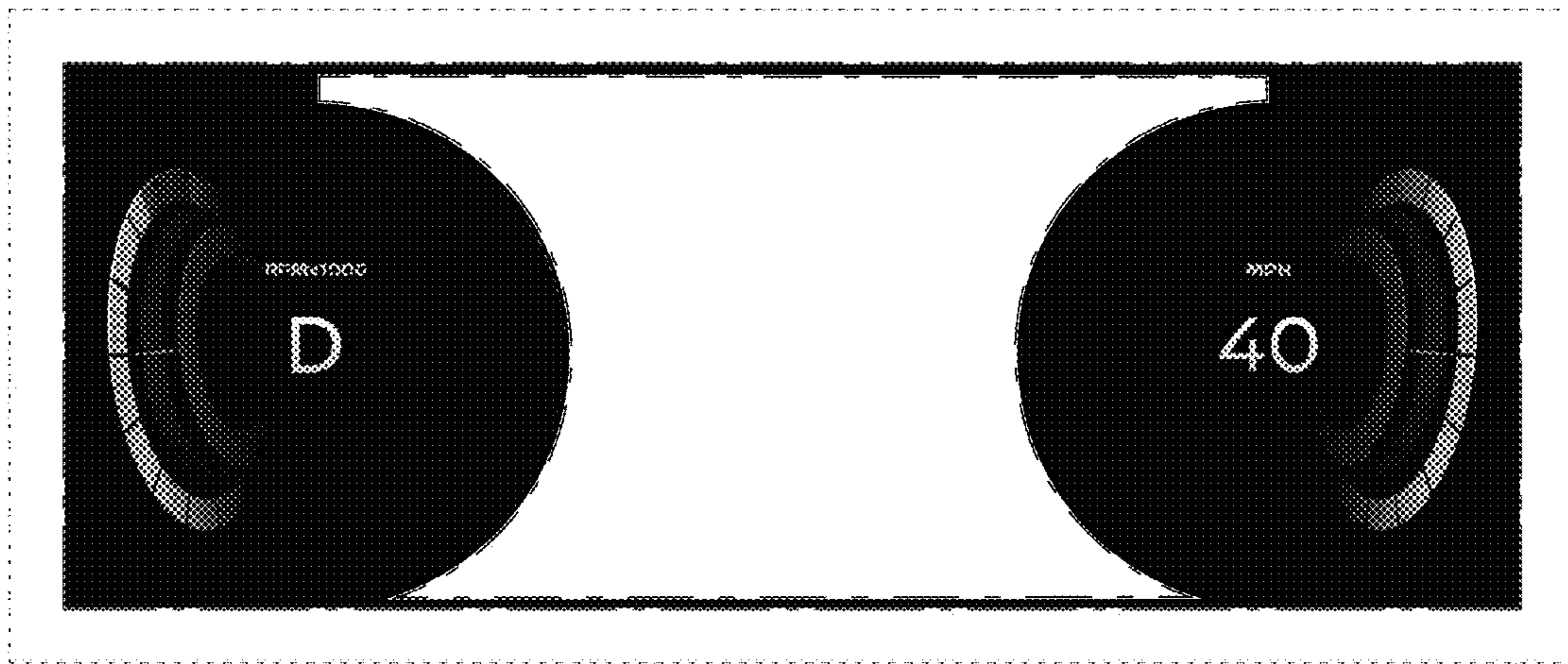


FIG. 3

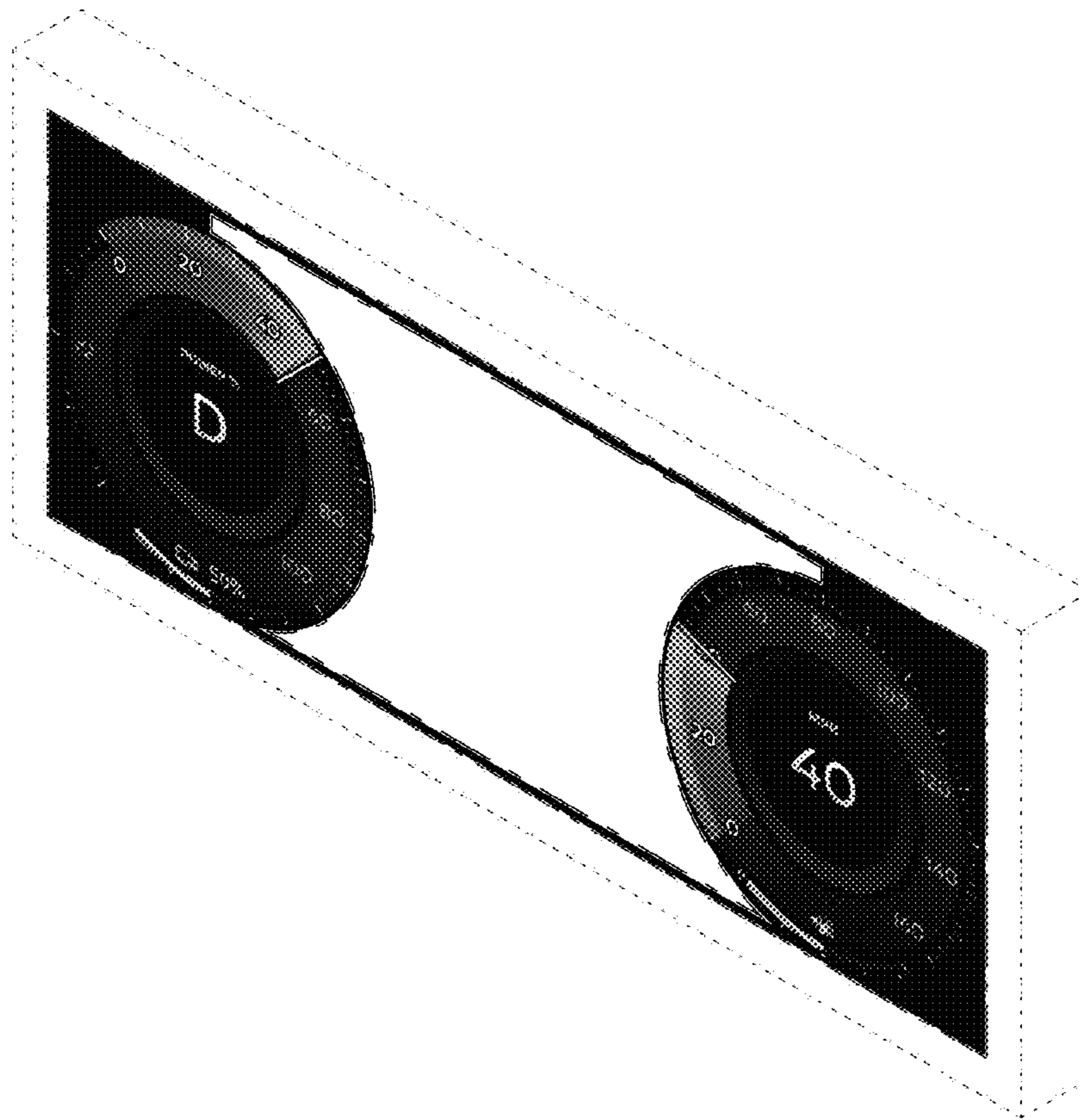


FIG. 4

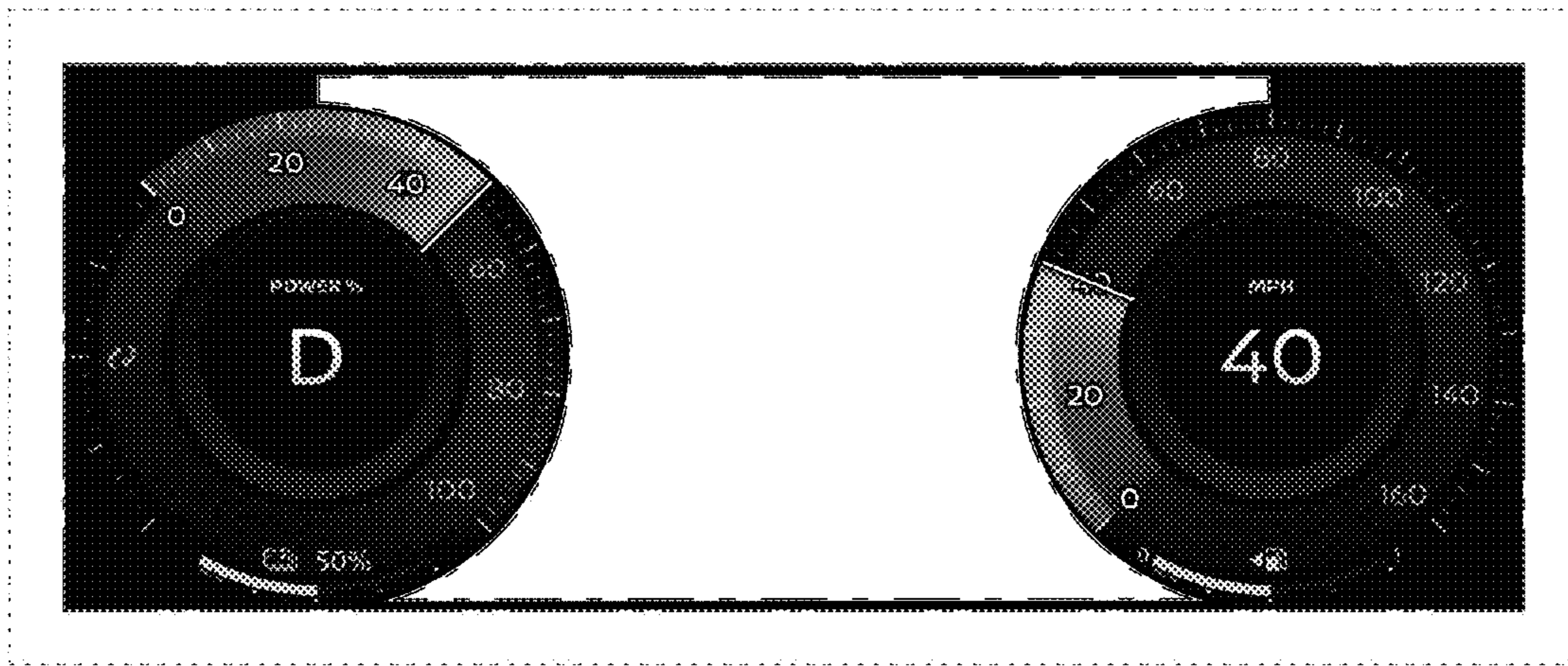


FIG. 5

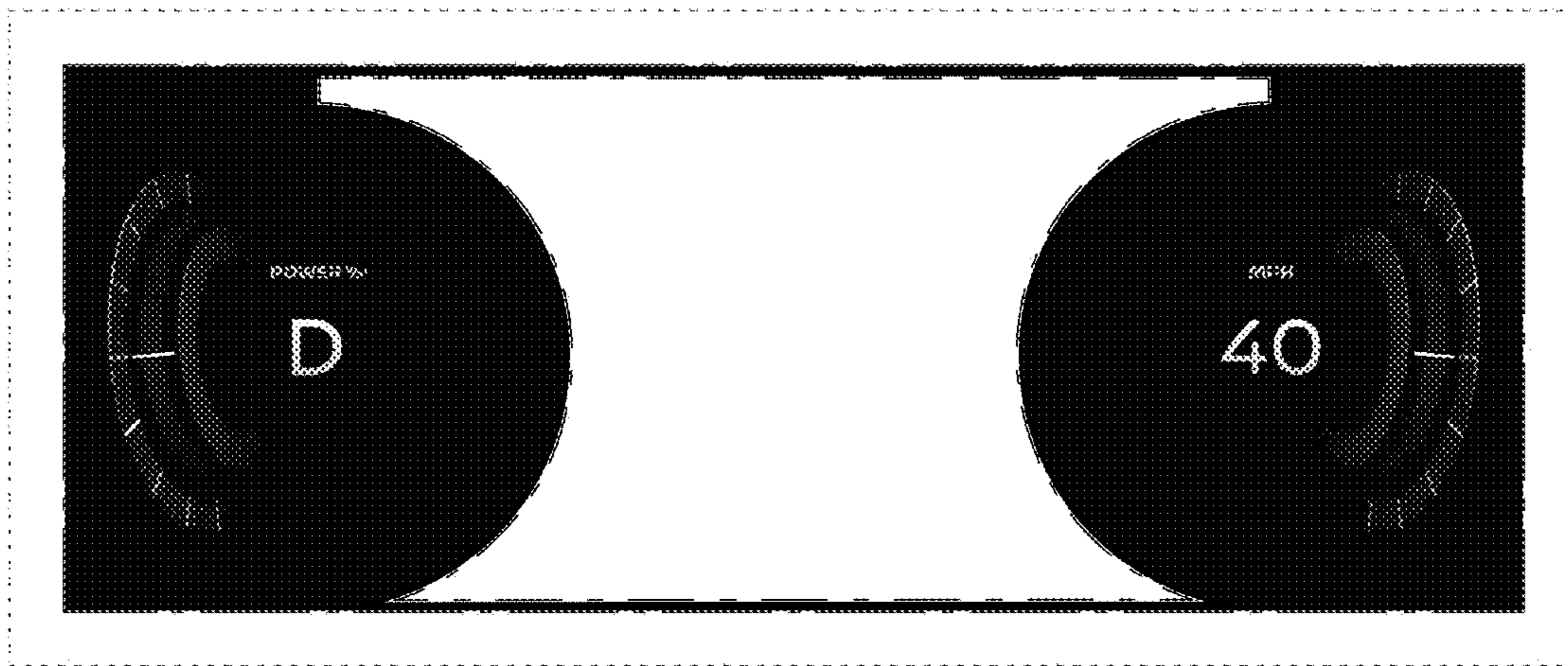


FIG. 6