

US00D941322S

(12) **United States Design Patent**
Nishikawa

(10) **Patent No.:** **US D941,322 S**
(45) **Date of Patent:** **** Jan. 18, 2022**

(54) **DISPLAY SCREEN OR PORTION THEREOF WITH GRAPHICAL USER INTERFACE**

- (71) Applicant: **Nissan Motor Co., Ltd.**, Kanagawa (JP)
- (72) Inventor: **Tomohiro Nishikawa**, Kanagawa (JP)
- (73) Assignee: **Nissan Motor Co., Ltd.**, Yokohama (JP)
- (**) Term: **15 Years**
- (21) Appl. No.: **29/700,986**
- (22) Filed: **Aug. 7, 2019**

(30) **Foreign Application Priority Data**

Feb. 8, 2019	(JP)	2019-002708
Feb. 8, 2019	(JP)	2019-002709
Feb. 8, 2019	(JP)	2019-002710

(51) **LOC (13) Cl.** **14-04**

(52) **U.S. Cl.**
USPC **D14/486**

(58) **Field of Classification Search**
 USPC D14/485-495; D12/192; 340/435, 441, 340/903; 116/62.1; 701/301, 96
 CPC B60K 2370/155; B60K 2370/11; B60K 2370/1438; B60K 2310/22; B60K 37/00; B60W 30/143; B60W 30/08; B60W 30/12; B60W 30/146; B60W 30/16; B60W 2050/146; B60W 50/14; B60W 50/0098; B60W 50/08; B60W 2554/804; B60W 2555/60; G01C 21/3658; G01S 2013/932; G06F 3/04847; G06F 3/0488; G06F 3/04817; G06F 3/0482; G06F 3/0484; G06F 11/3065; G06F 11/328; G06K 9/00791;

(Continued)

(56) **References Cited**

U.S. PATENT DOCUMENTS

D667,018 S	*	9/2012	Clanton	D14/485
D729,820 S	*	5/2015	Yamasaki	D14/485
D733,722 S	*	7/2015	Ueda	D14/485

(Continued)

FOREIGN PATENT DOCUMENTS

EM 003467752-0002 * 11/2016

OTHER PUBLICATIONS

Martinez, Nate "BMW i8 Concept Spyder First Look" Mar. 31, 2012, Motortrend, site visited Dec. 30, 2020: <https://www.motortrend.com/cars/bmw/i8/2014/bmw-i8-concept-spyder-first-look/> (Year: 2012).*

(Continued)

Primary Examiner — Jack Reickel

Assistant Examiner — Christopher M Spivey

(74) *Attorney, Agent, or Firm* — Global IP Counselors, LLP

(57) **CLAIM**

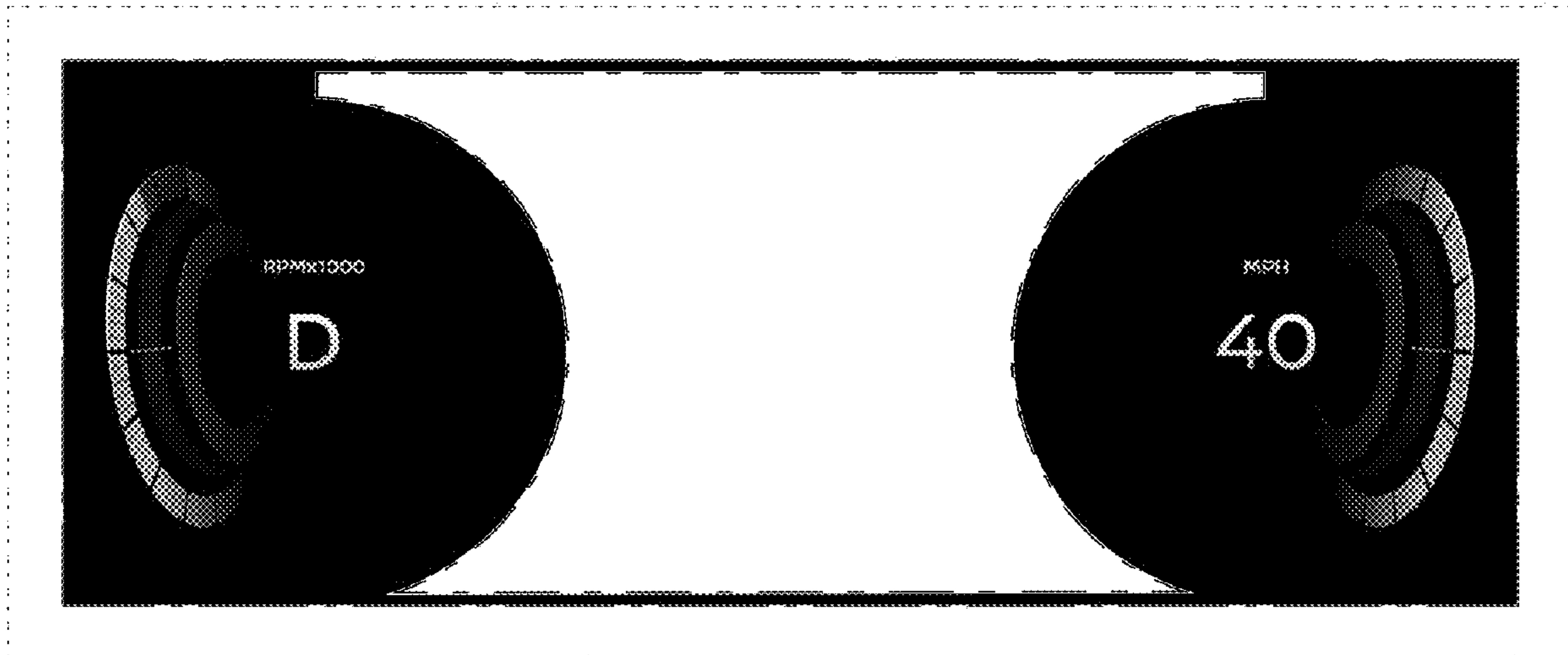
The ornamental design for a display screen or portion thereof with graphical user interface, as shown and described.

DESCRIPTION

FIG. 1 is a perspective view of the first embodiment of a display screen or portion thereof with graphical user interface showing our new design;
 FIG. 2 is a front view thereof;
 FIG. 3 is a perspective view of the second embodiment of a display screen or portion thereof with graphical user interface showing our new design; and,
 FIG. 4 is a front view thereof.

The broken line showing of a display screen or portion thereof is for the purpose of illustrating environmental structure and forms no part of the claimed design. The dot-dash line(s) define the bounds of the claimed design and form no part thereof.

1 Claim, 4 Drawing Sheets



(58) **Field of Classification Search**

CPC G08G 1/167; G08G 1/0112; H04N
21/41422; H04W 4/48

See application file for complete search history.

2016/0342406 A1* 11/2016 Ahmed G06F 8/61
2017/0227759 A1* 8/2017 Kobayashi B60K 37/02
2018/0018083 A1* 1/2018 Cengil B60K 37/06
2018/0182241 A1* 6/2018 Ahn G08G 1/0967
2019/0071075 A1* 3/2019 Mimura G08G 1/16
2020/0219398 A1* 7/2020 Shimizu B60W 30/18163
2020/0247319 A1* 8/2020 Shimizu B60R 1/00

(56) **References Cited**

U.S. PATENT DOCUMENTS

D746,835 S * 1/2016 Yamasaki D14/485
D766,931 S * 9/2016 Le Pors D14/485
D781,885 S * 3/2017 Bhat D14/486
D791,815 S * 7/2017 Dzijind D14/488
D823,858 S * 7/2018 Li D14/485
D854,548 S * 7/2019 Ro D14/485
D893,534 S * 8/2020 Lindberg D14/486
10,730,389 B2* 8/2020 Braun B60K 37/02
D915,453 S * 4/2021 Meier D14/488
D921,670 S * 6/2021 Kim D14/486
2015/0033174 A1* 1/2015 Hisatsugu B60K 37/06
715/771
2015/0153936 A1* 6/2015 Lim G06F 3/04883
715/716
2015/0352956 A1* 12/2015 Miuchi B60W 40/10
701/41
2016/0328244 A1* 11/2016 Ahmed B60K 35/00

OTHER PUBLICATIONS

D., Feng “Car UI Concept” Jun. 8, 2017, Dribbble, site visited Jul. 2, 2021: <https://dribbble.com/shots/3554414-Car-UI-Concept> (Year: 2017).*

Zhao, Leo “HMI product design” Jul. 26, 2018, Dribbble, site visited Jul. 2, 2021: <https://dribbble.com/shots/4874978-HMI-product-design> (Year: 2018).*

“Full-HD Instrument Cluster Demo using APIX2®” Feb. 19, 2015, YouTube, site visited Jul. 2, 2021: <https://www.youtube.com/watch?v=UPJuQ372mKo> (Year: 2015).*

Hoo, Rogo et al. “Smart Cockpit HMI design and develop project for Roewe MARVEL-X, Jan. 2017~Jan. 2018” Jan. 27, 2019, BeHance, site visited Jul. 3, 2021: https://www.behance.net/gallery/75485239/Marvel-X-HMI-design?tracking_source=search%257C (Year: 2019).*

* cited by examiner

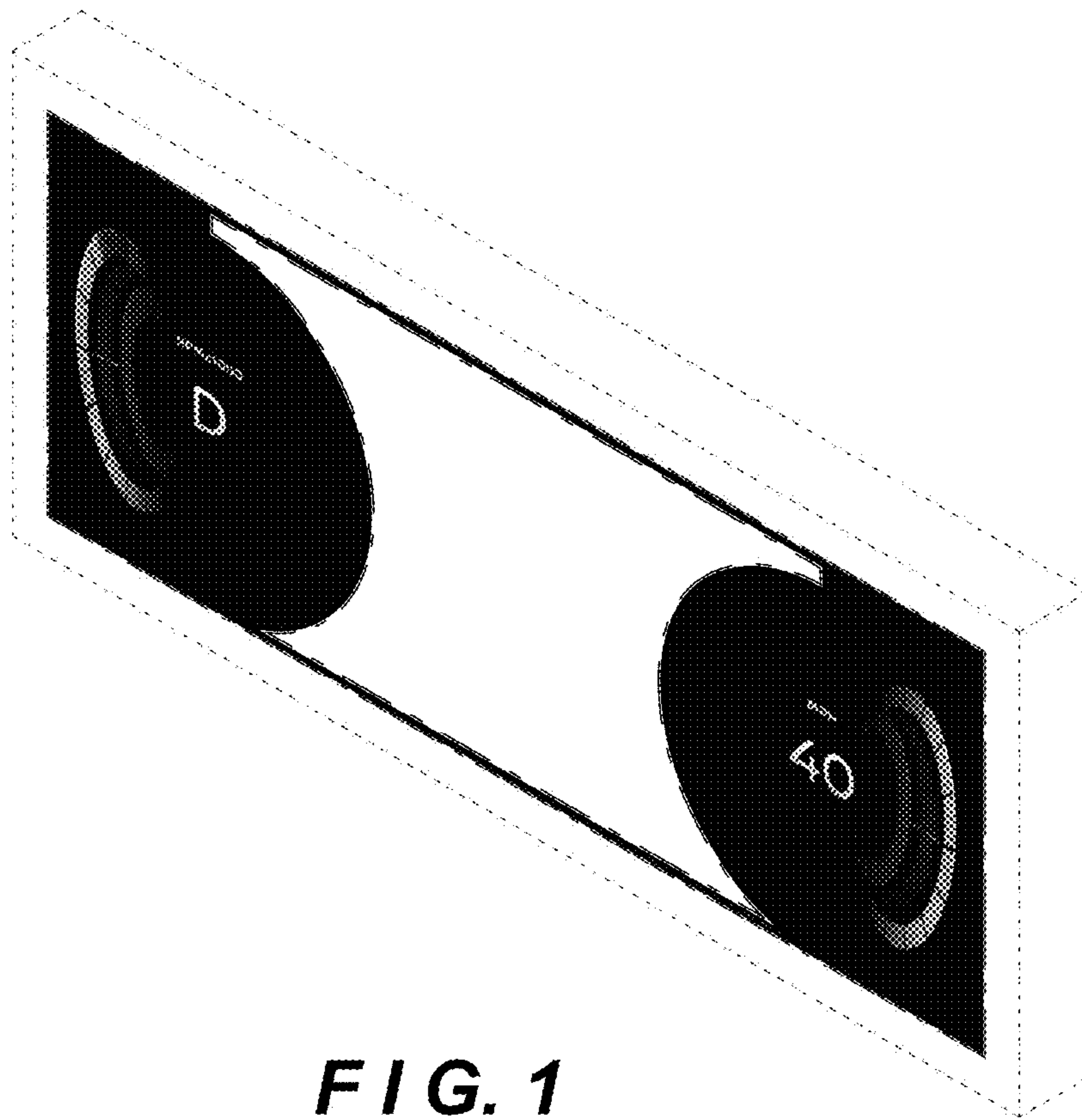


FIG. 1

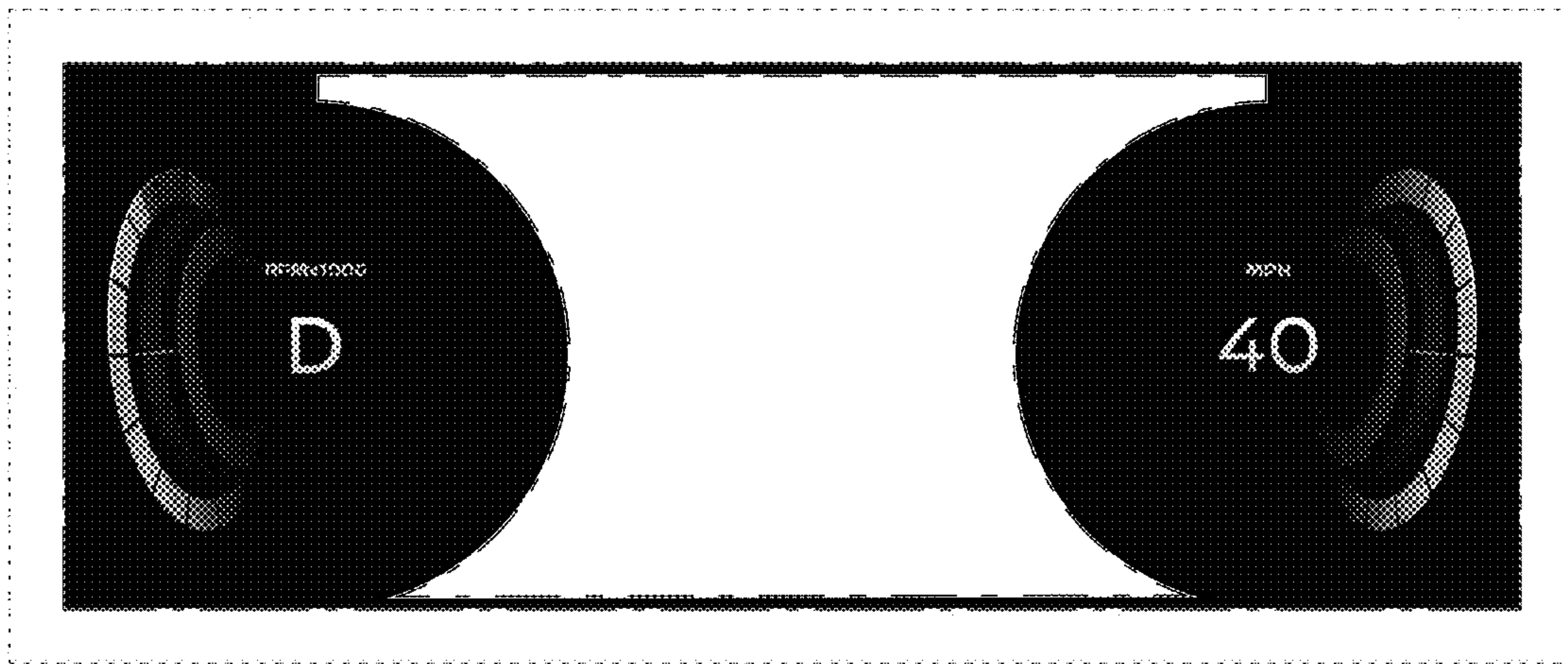


FIG. 2

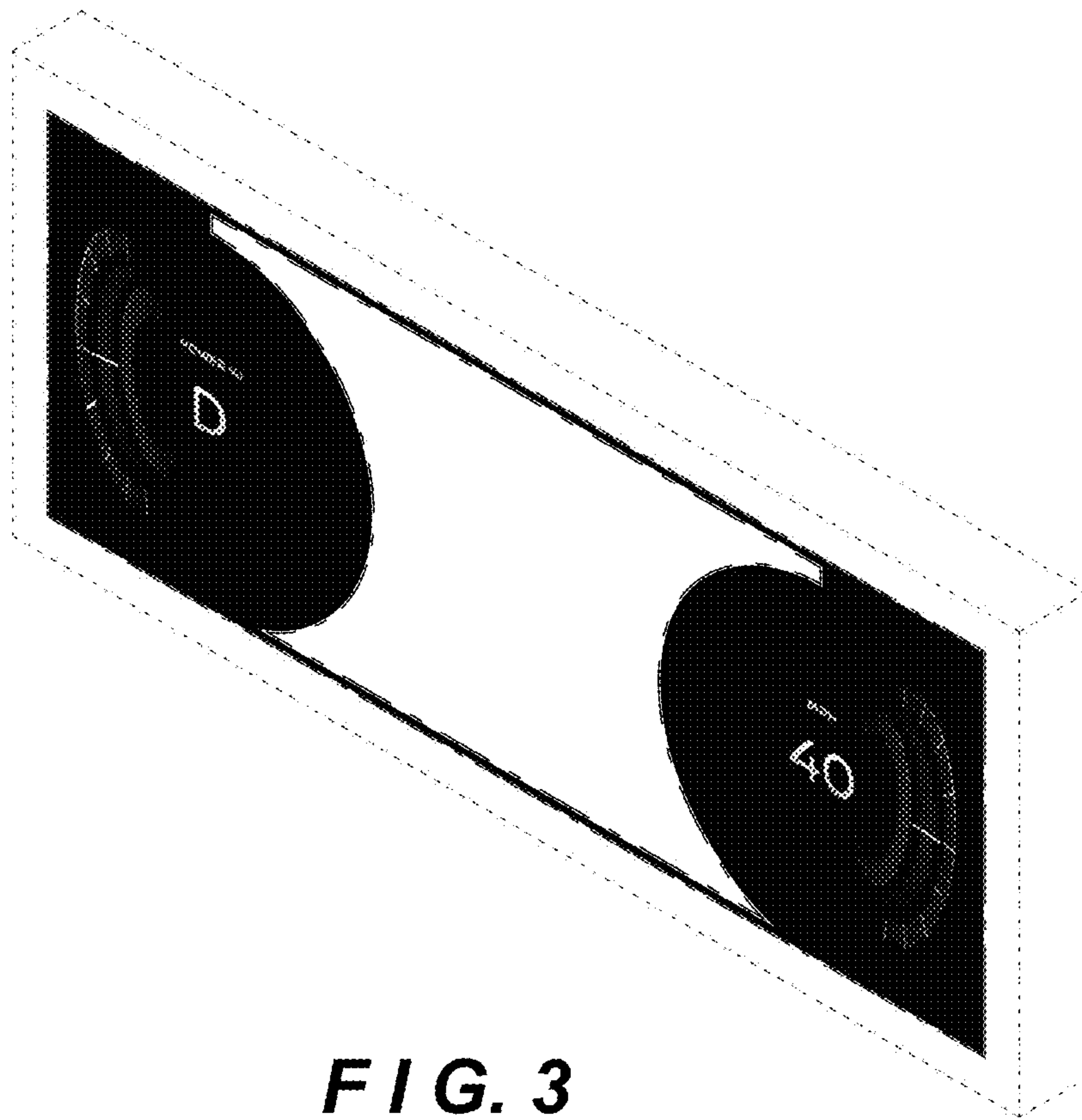


FIG. 3

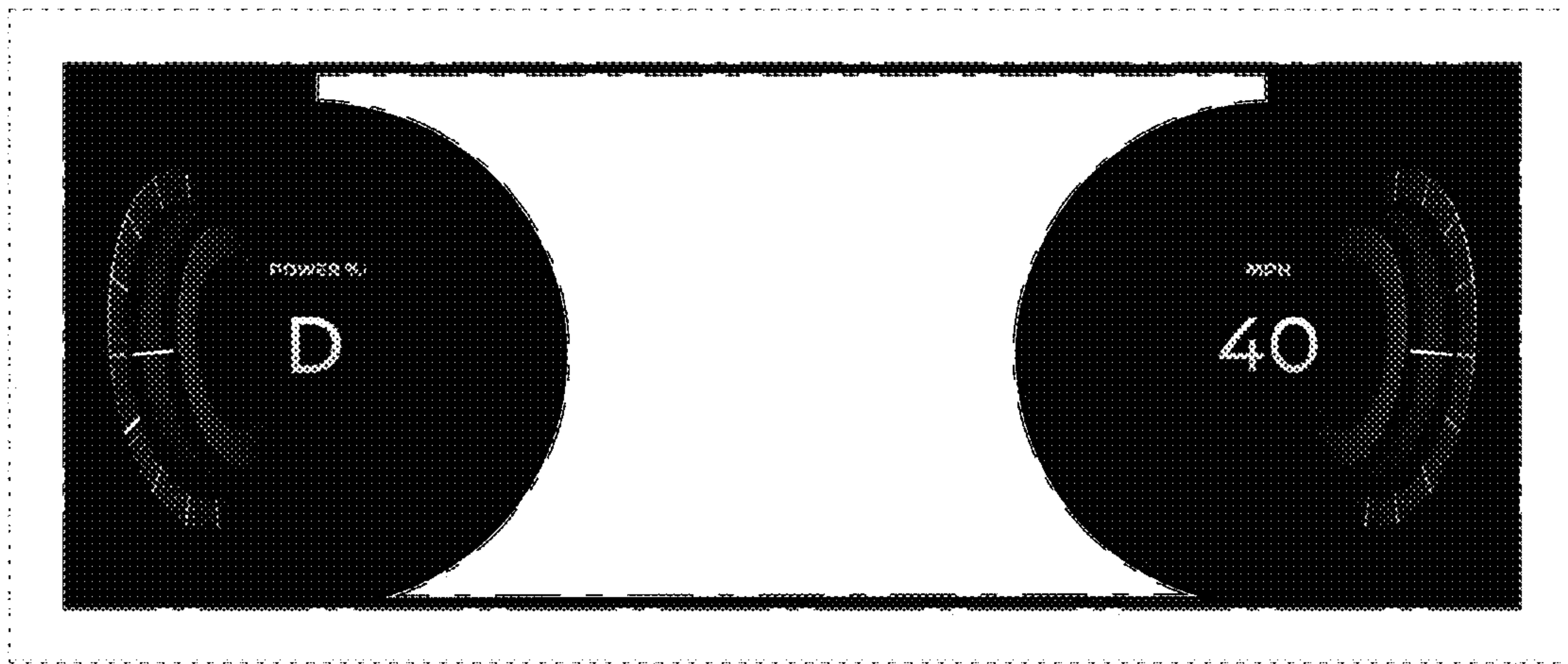


FIG. 4