



US00D941311S

(12) **United States Design Patent**
Mao et al.

(10) **Patent No.:** **US D941,311 S**
(45) **Date of Patent:** **** Jan. 18, 2022**

(54) **DISPLAY SCREEN OR PORTION THEREOF WITH TRANSITIONAL GRAPHICAL USER INTERFACE**

(71) Applicant: **Google LLC**, Mountain View, CA (US)

(72) Inventors: **Ruoxi Mao**, New York, NY (US);
Natalie Bennett, New York, NY (US);
Emily Ryan, London (GB); **Nathaniel Biggs**, New York, NY (US); **Roni Rosner**, New York, NY (US); **Yeo Jin Ree**, New York, NY (US); **Adam Becker**, New York, NY (US)

(73) Assignee: **GOOGLE LLC**, Mountain View, CA (US)

(**) Term: **15 Years**

(21) Appl. No.: **29/743,669**

(22) Filed: **Jul. 23, 2020**

(51) **LOC (13) Cl.** **14-04**

(52) **U.S. Cl.**

USPC **D14/485**

(58) **Field of Classification Search**

USPC D14/485-495; D20/11; D21/324, 325

(Continued)

(56) **References Cited**

U.S. PATENT DOCUMENTS

D392,265 S * 3/1998 Coleman D14/489
D403,313 S * 12/1998 Peppel D14/486

(Continued)

OTHER PUBLICATIONS

“Human Resources Scheduling Software” Dec. 9, 2015, posted at snapschedule.com, [site visited Oct. 26, 2021]. <https://web.archive.org/web/20151209204103/https://www.snapschedule.com/industry/human-resources> (Year: 2015).*

Primary Examiner — John M Otte

(74) *Attorney, Agent, or Firm* — Leason Ellis LLP

(57) **CLAIM**

The ornamental design for a display screen or portion thereof with transitional graphical user interface, as shown and described.

DESCRIPTION

FIG. 1 is a front view of a first image in a sequence according to the first embodiment our design for a display screen or portion thereof with transitional graphical user interface;

FIG. 2 is a front view of a second image in the sequence thereof;

FIG. 3 is a front view of a third image in the sequence thereof;

FIG. 4 is a front view of a fourth image in the sequence thereof;

FIG. 5 is a front view of a fifth image in the sequence thereof;

FIG. 6 is a front view of a first image in a sequence showing the design of FIG. 1 in a different environment;

FIG. 7 is a front view of a second image in the sequence showing the design of FIG. 2 in a different environment;

FIG. 8 is a front view of a third image in the sequence showing the design of FIG. 3 in a different environment;

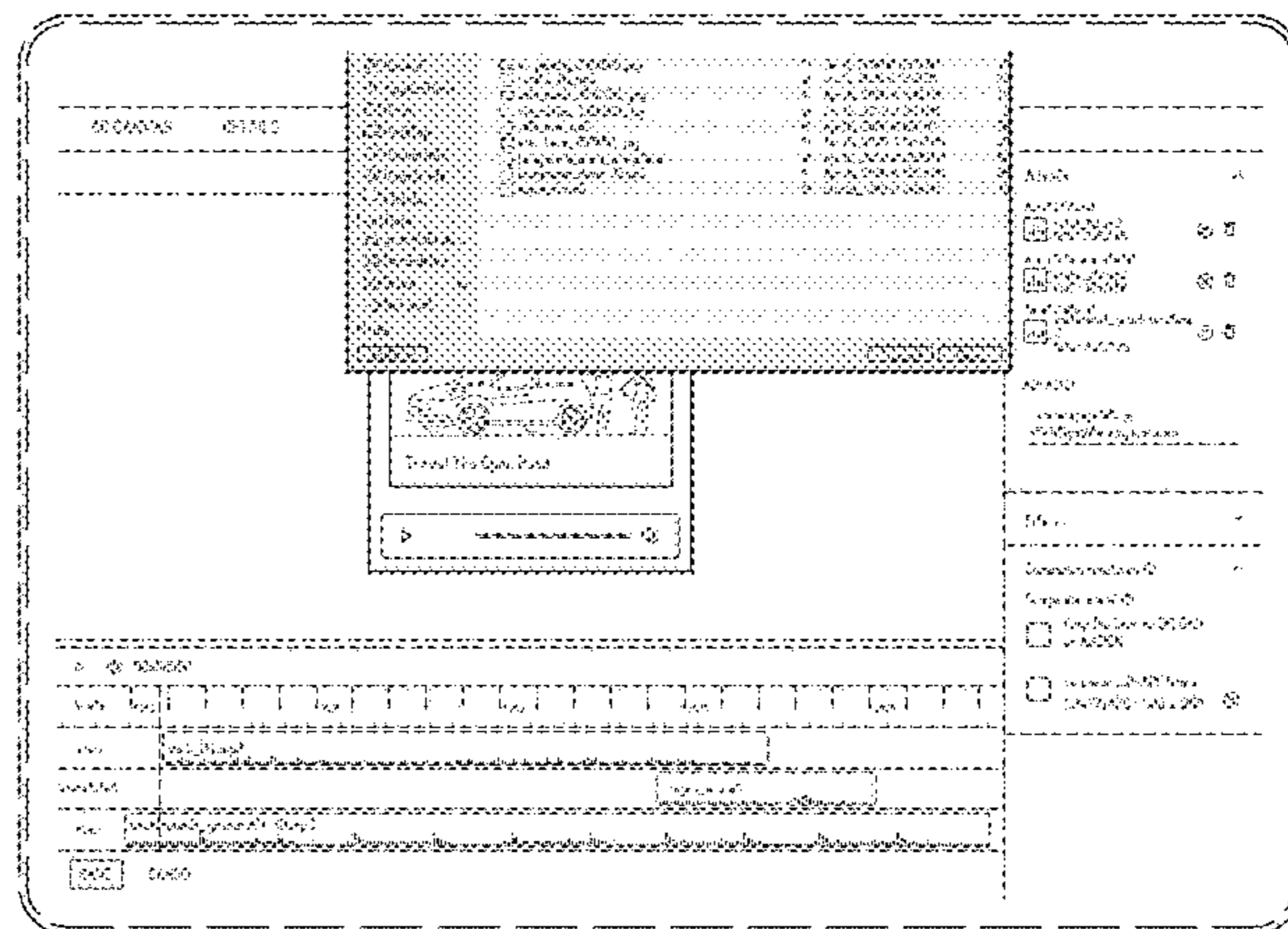
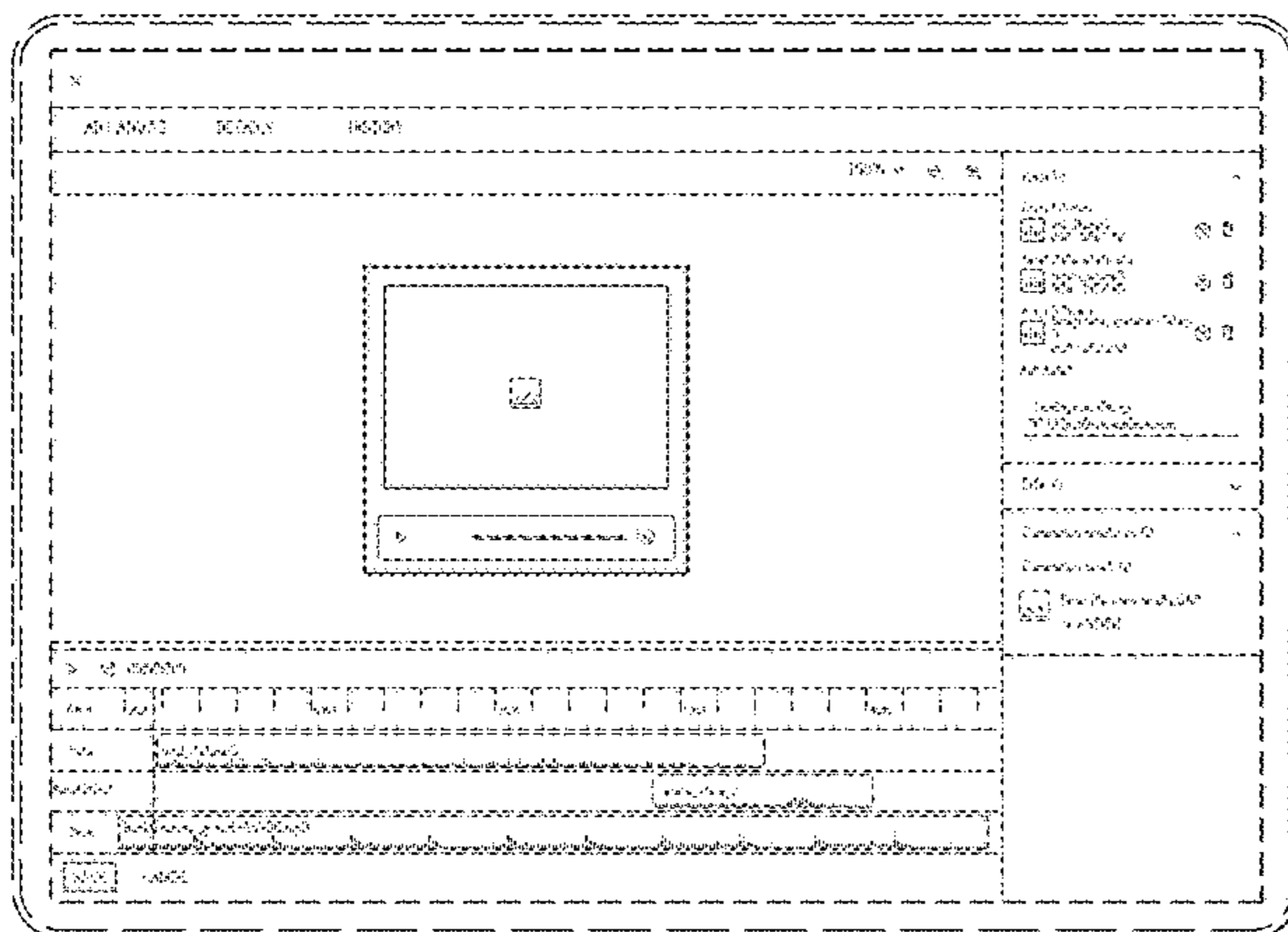
FIG. 9 is a front view of a fourth image in the sequence showing the design of FIG. 4 in a different environment; and,

FIG. 10 is a front view of a fifth image in the sequence showing the design of FIG. 5 in a different environment.

The appearance of the claimed design transitions between the images shown in FIGS. 1 through 5, and the images shown in FIGS. 6 through 10, respectively. The process or period in which one image transitions to another forms no part of the claimed design.

The outermost broken line rounded rectangle showing an electronic device illustrates environmental subject matter. The broken line showing a display screen, and all other broken lines showing portions of the graphical user interface

(Continued)



illustrate portions of the article. None of the aforementioned broken line subject matter forms part of the claimed design.

1 Claim, 10 Drawing Sheets

(58) Field of Classification Search

CPC H05K 5/0213; G16H 10/60; G06F 3/048;
G06F 3/0481; G06F 3/04817; G06F
3/0482; G06F 3/0483; G06F 3/04842;
G06F 3/0485; G06F 3/04855; G06F
3/0486; G06F 3/0488; G06F 3/04886;
G06F 9/451; G06F 16/14; G06F 16/54;
G06F 40/103; G06F 40/106; G06F
40/189; G06F 40/191

See application file for complete search history.

(56) References Cited

U.S. PATENT DOCUMENTS

D419,542 S * 1/2000 Hodgson D14/489
8,255,815 B2 * 8/2012 Ording G06F 16/54
715/764
D694,259 S * 11/2013 Klein D14/486
D754,703 S * 4/2016 Moon D14/486
D872,756 S * 1/2020 Howell D14/486
D875,755 S * 2/2020 Feng D14/486
D896,248 S * 9/2020 Heffernan D14/486
10,846,268 B2 * 11/2020 Roche, Jr. G06F 16/14
D934,281 S * 10/2021 Merrell D14/486
2015/0277849 A1 * 10/2015 Beaumier H05K 5/0213
715/716
2016/0110523 A1 * 4/2016 Francois G16H 10/60
705/2

* cited by examiner

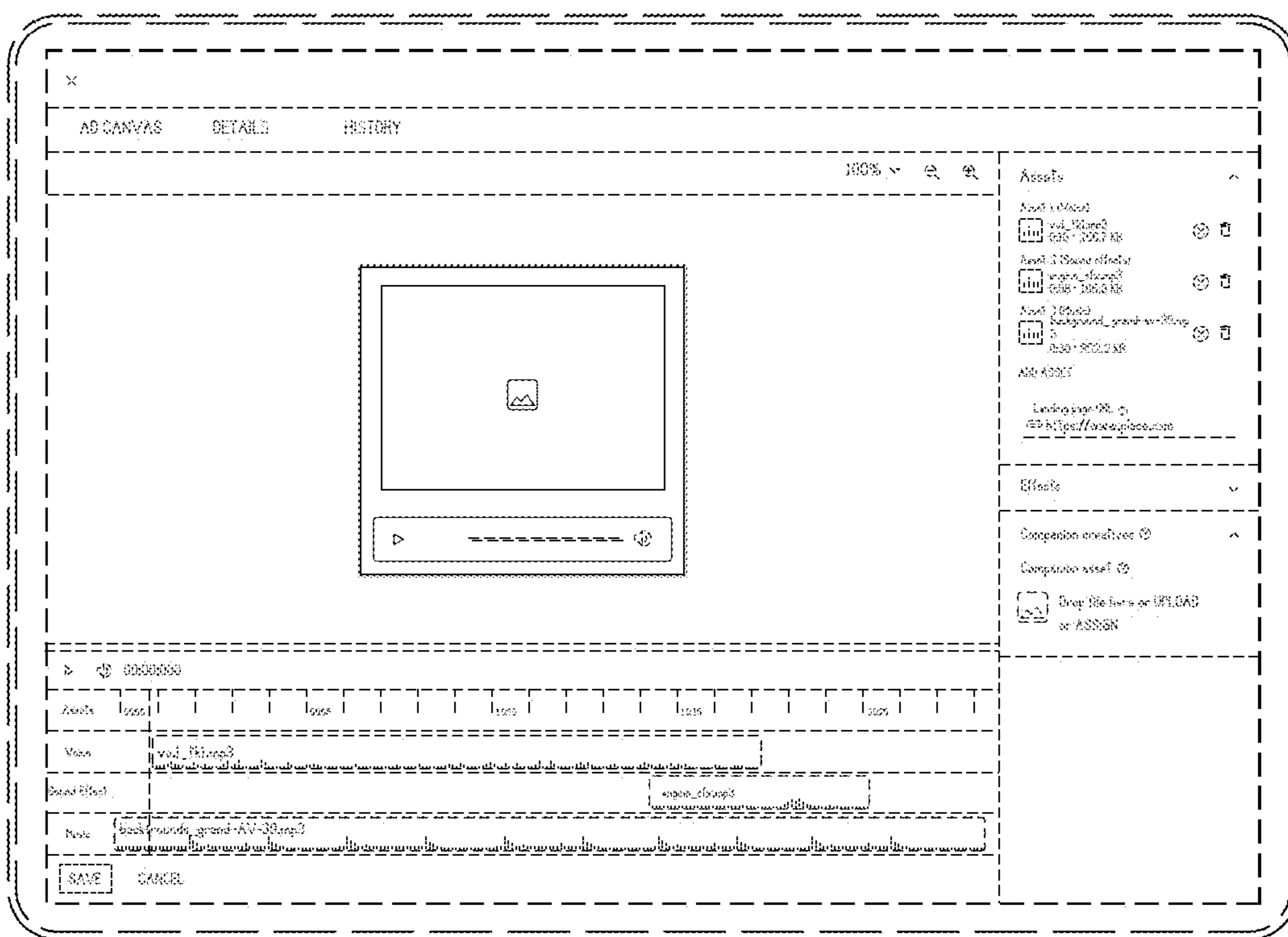


FIG. 1

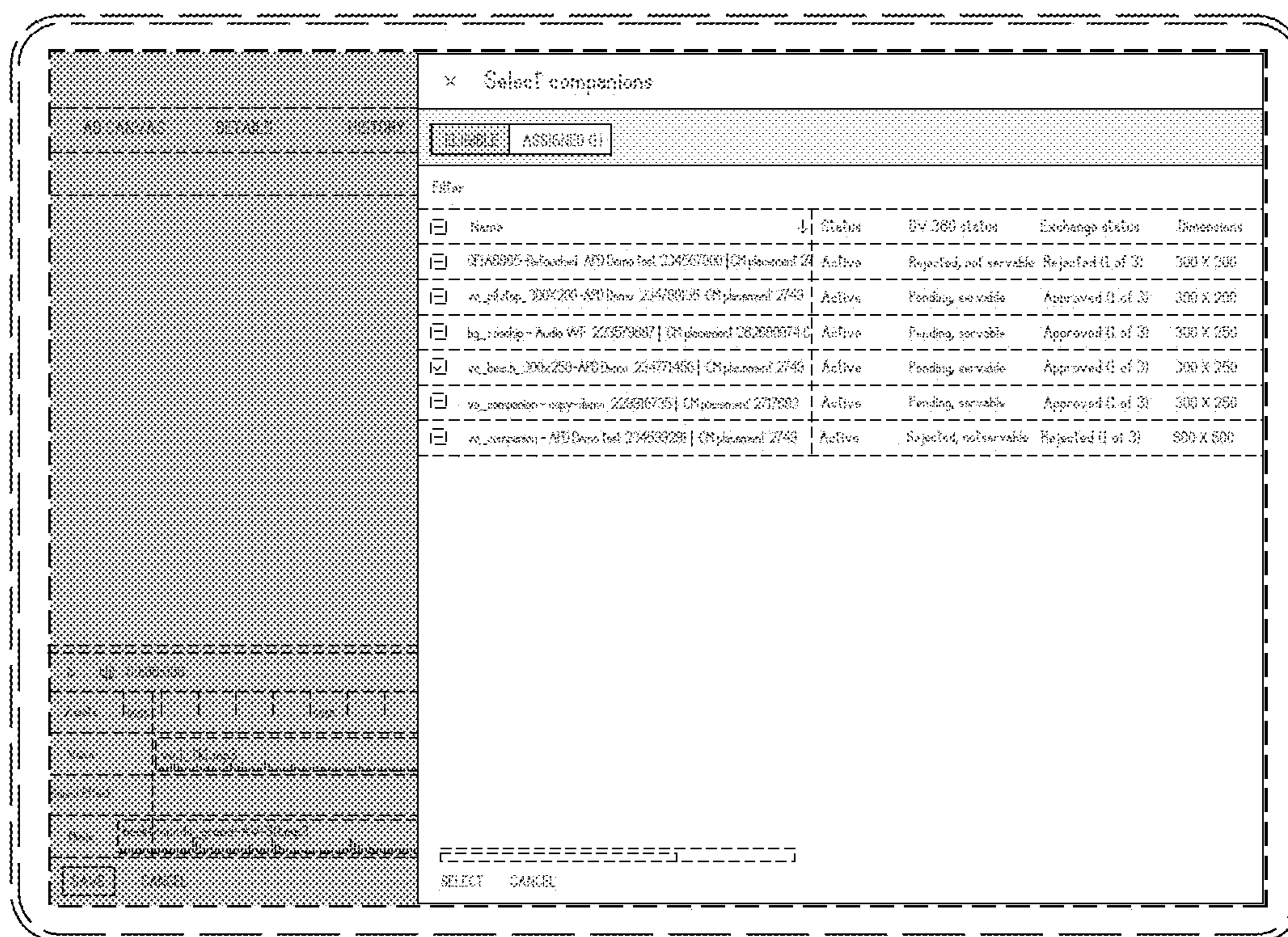


FIG. 2

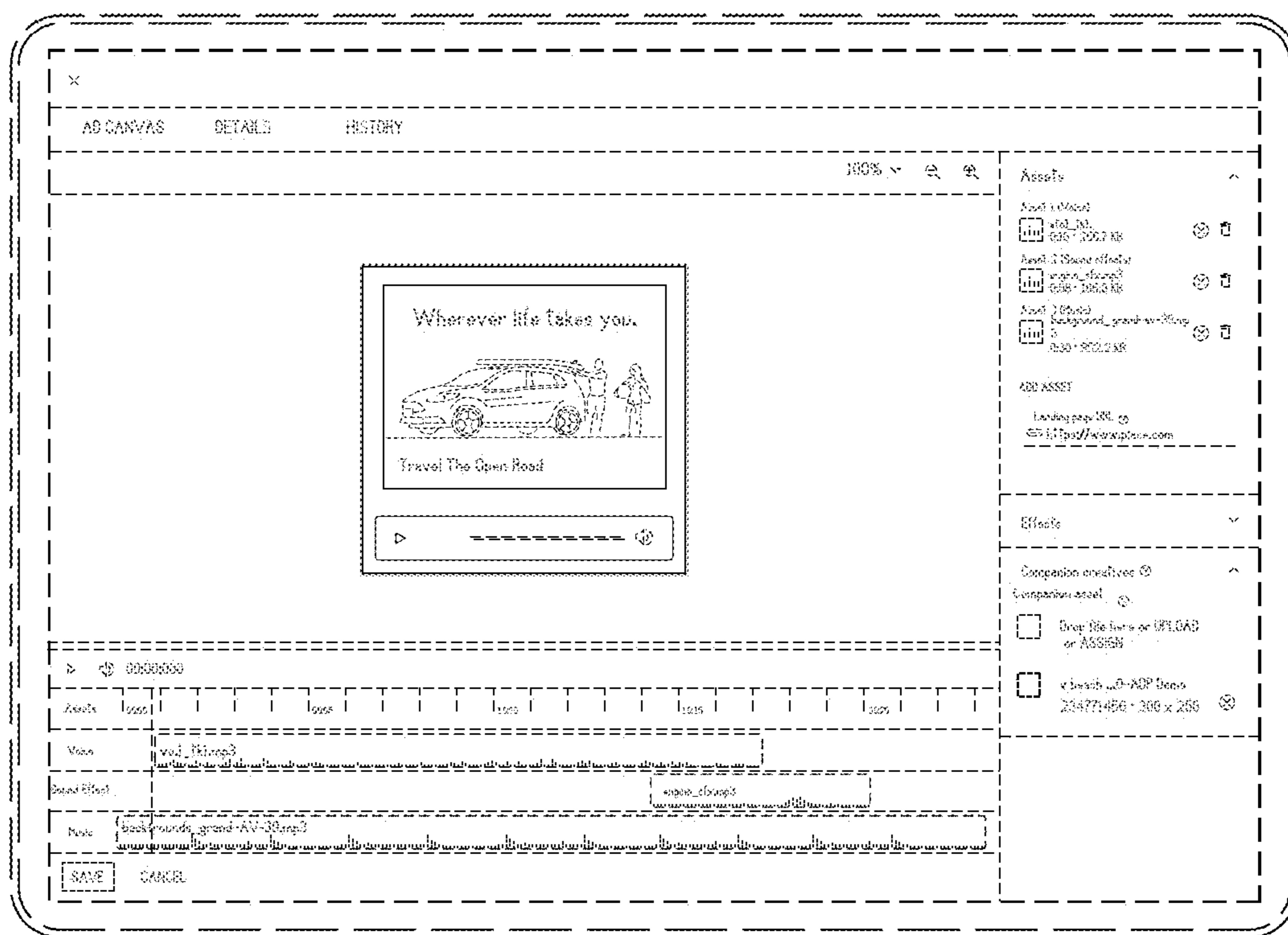


FIG. 3

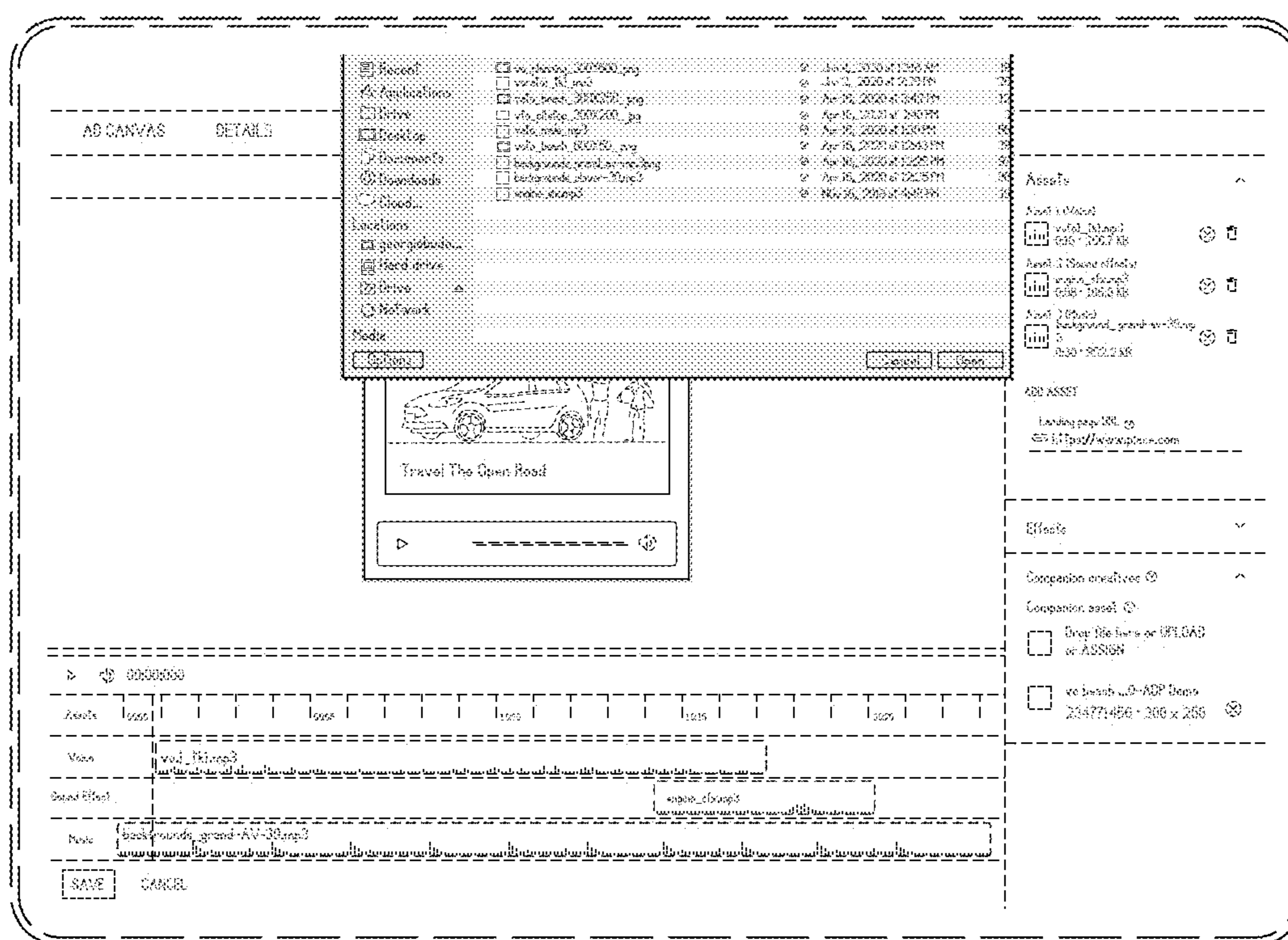


FIG. 4

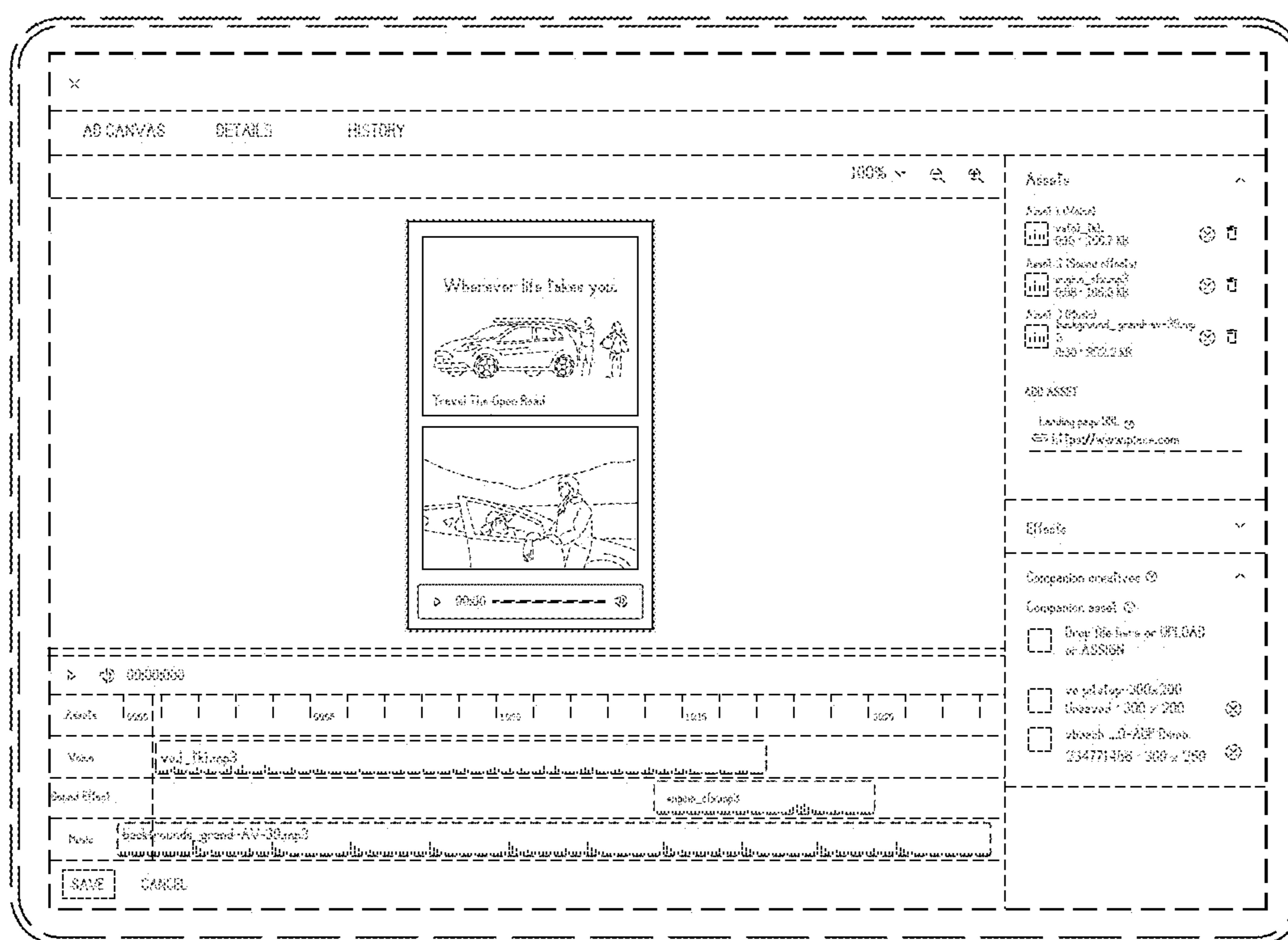


FIG. 5

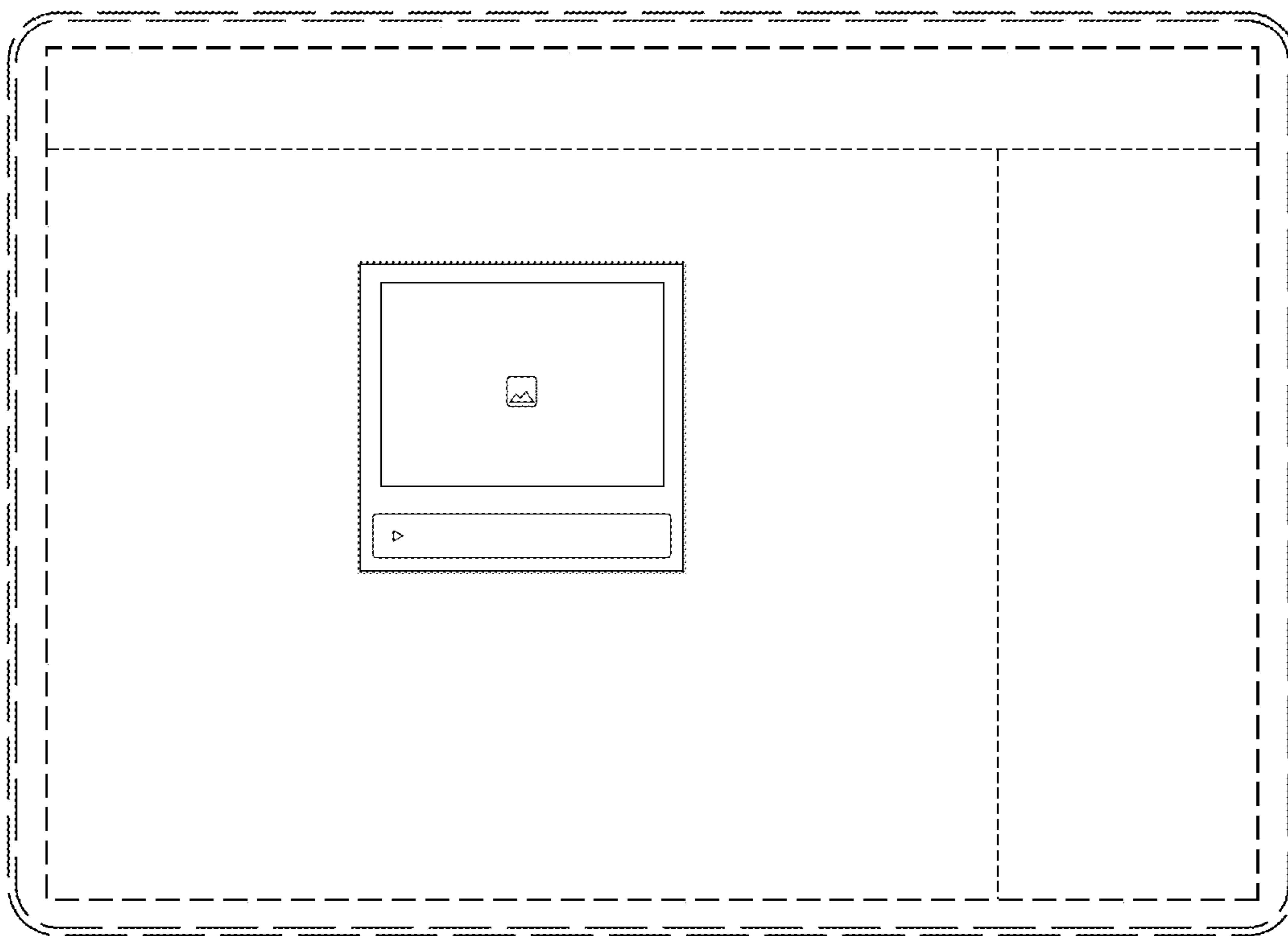


FIG. 6

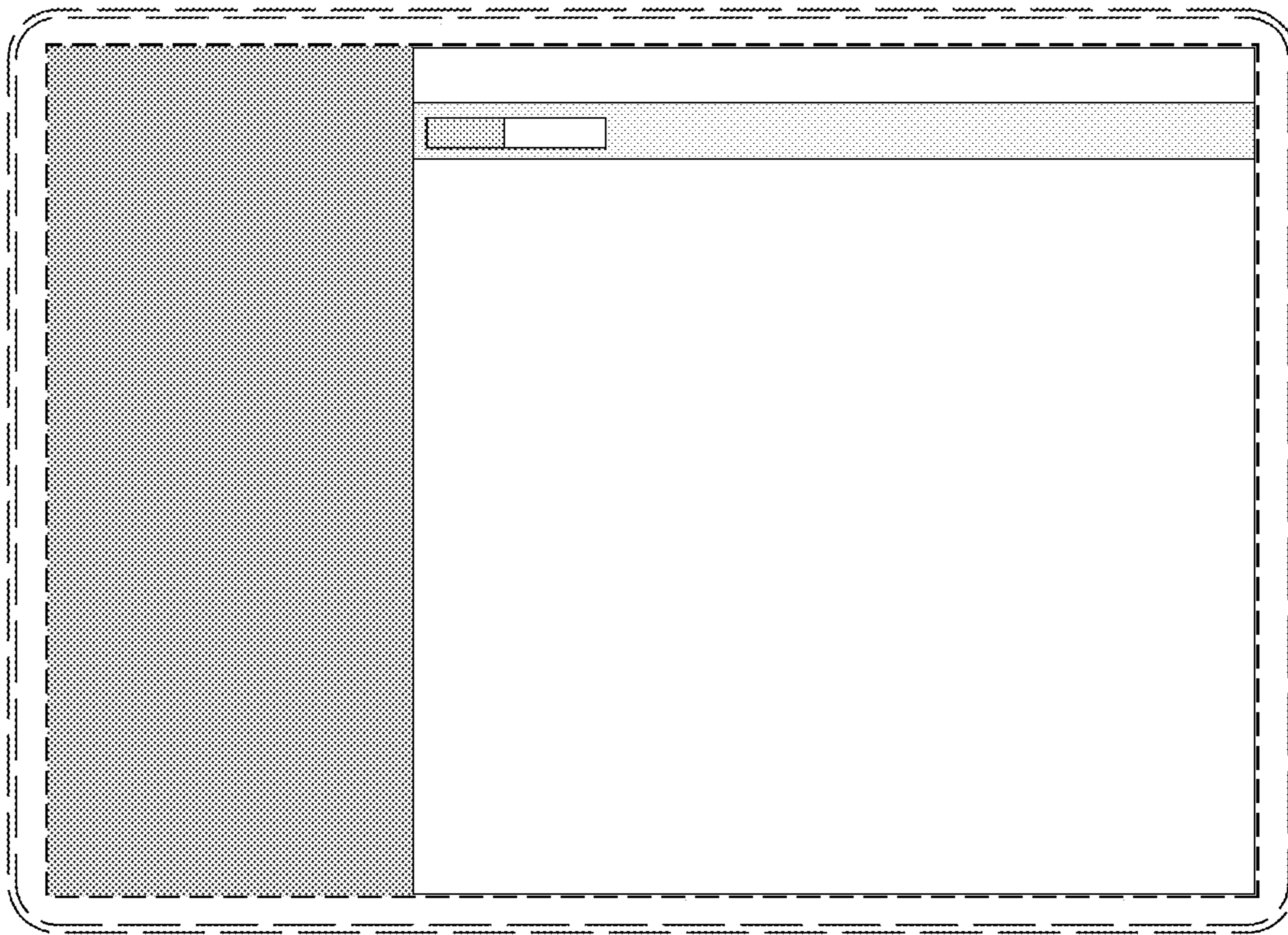


FIG. 7

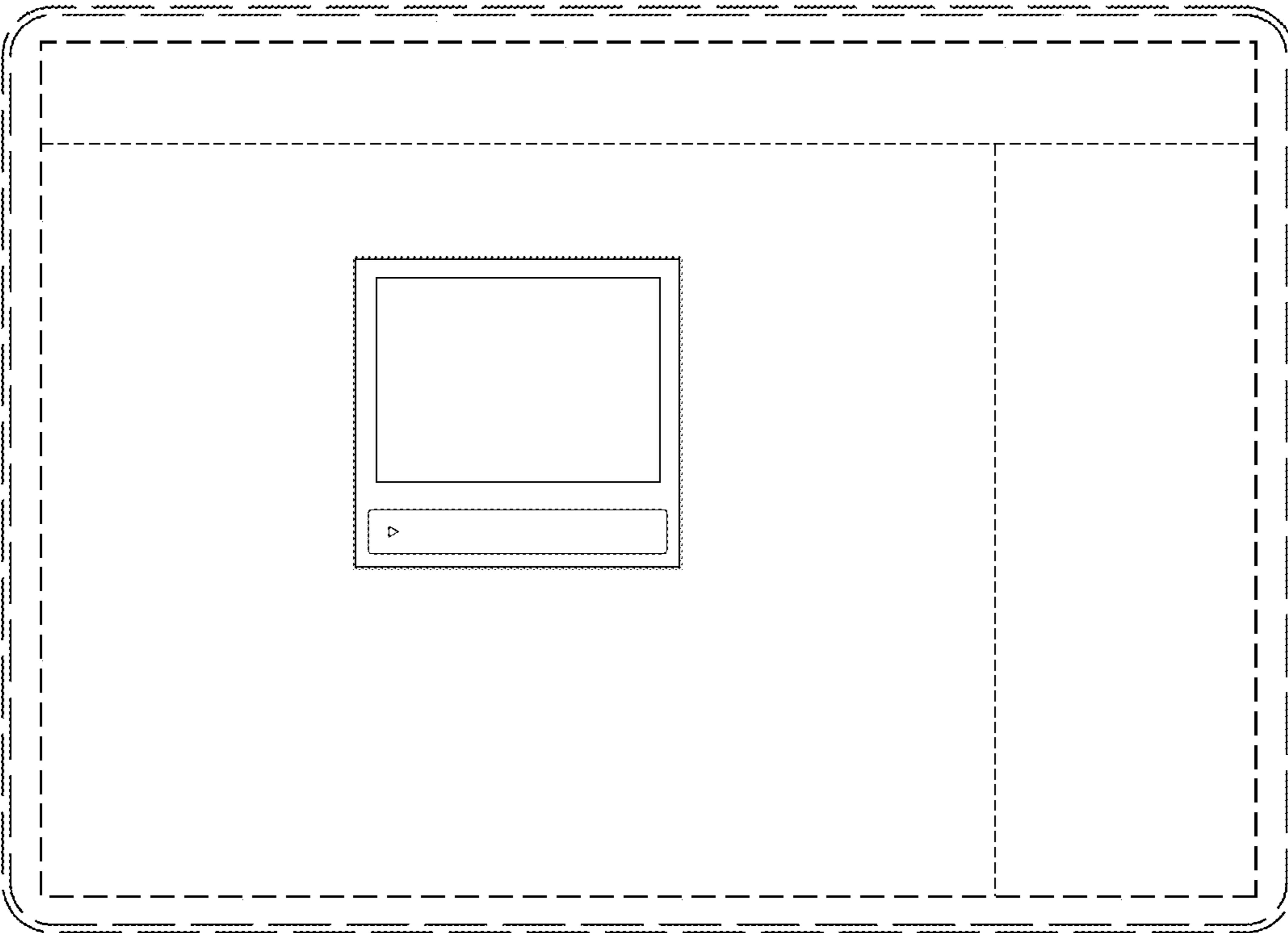


FIG. 8

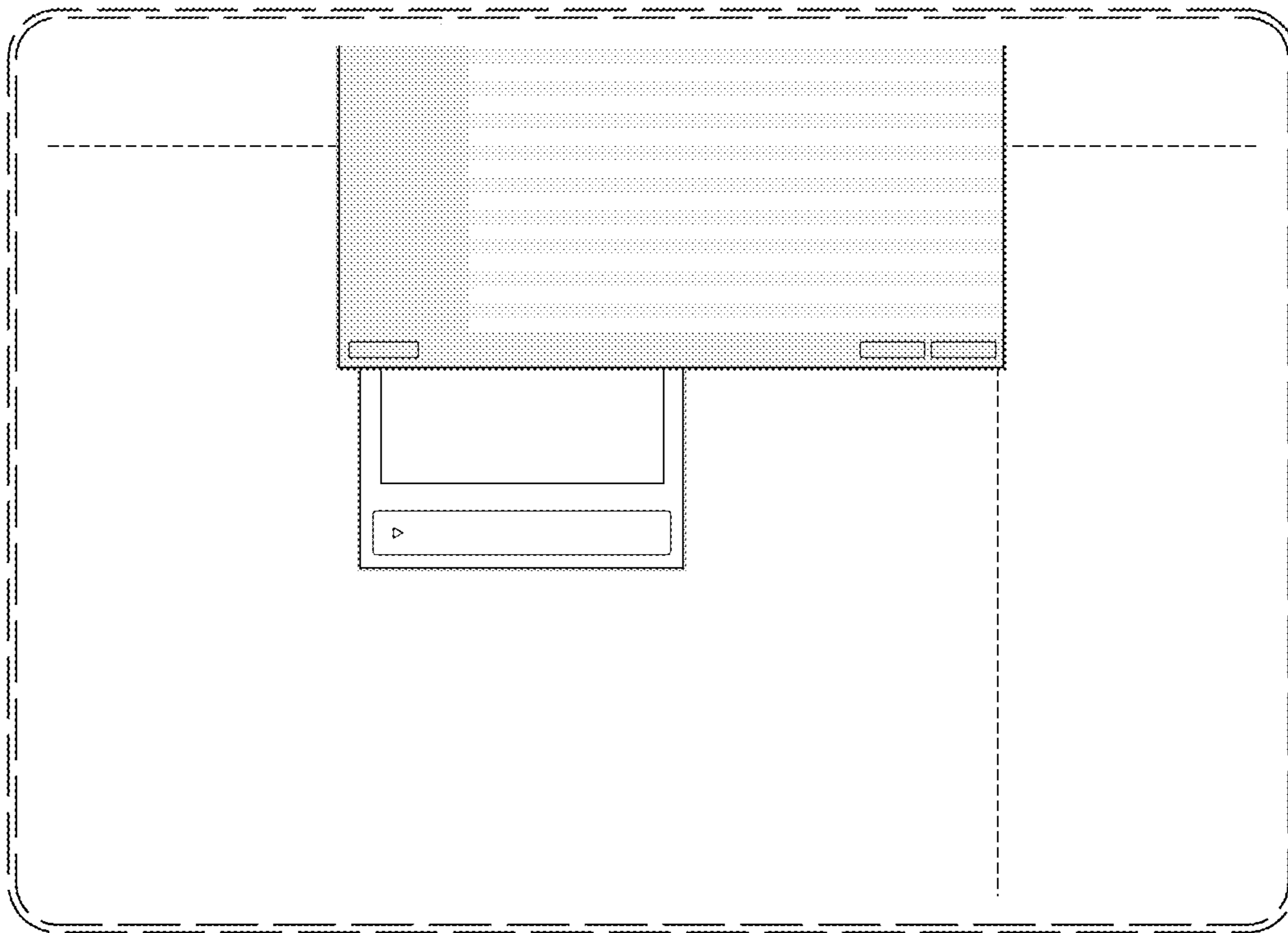


FIG. 9

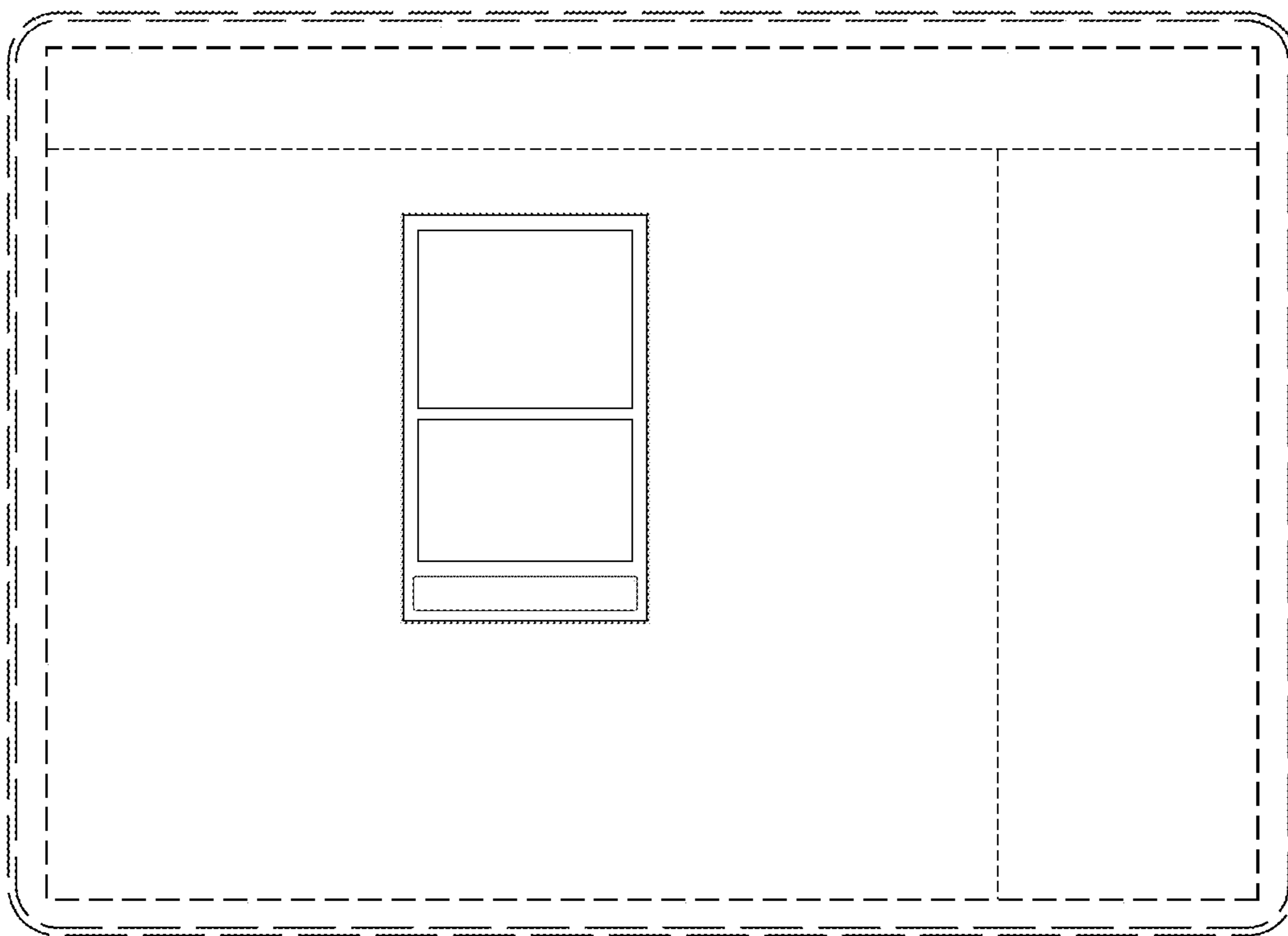


FIG. 10