



US00D941300S

(12) **United States Design Patent**  
**Huang**

(10) **Patent No.:** **US D941,300 S**  
(45) **Date of Patent:** **\*\* Jan. 18, 2022**

(54) **HOLDING DEVICE**

(71) Applicant: **Ming-Hsien Huang**, New Taipei (TW)

(72) Inventor: **Ming-Hsien Huang**, New Taipei (TW)

(\*\*) Term: **15 Years**

(21) Appl. No.: **29/740,859**

(22) Filed: **Jul. 8, 2020**

(30) **Foreign Application Priority Data**

Apr. 1, 2020 (TW) ..... 109301792

(51) **LOC (13) Cl.** ..... **08-07**

(52) **U.S. Cl.**  
USPC ..... **D14/447**; D14/452

(58) **Field of Classification Search**  
USPC ..... D14/447, 432, 434, 439, 440, 451, 452,  
D14/457, 239, 253; D8/363, 373, 380;  
D6/406.3, 406.4, 406.5, 406.6; D12/415;  
D13/108  
CPC ..... A47B 21/04; A47B 2097/006; A47B  
2097/005; A47B 2023/049; A45C  
2011/002; A45C 2011/003; F16M  
2200/00; F16M 13/00  
See application file for complete search history.

(56) **References Cited**

**U.S. PATENT DOCUMENTS**

D495,240 S \* 8/2004 Mnich ..... D8/355  
D537,323 S \* 2/2007 Saez ..... D14/452

D570,853 S \* 6/2008 Derry ..... D14/452  
D577,729 S \* 9/2008 Derry ..... D14/452  
D577,731 S \* 9/2008 Altonji ..... D14/452  
D631,052 S \* 1/2011 Hung ..... D14/452  
D668,256 S \* 10/2012 Matteo ..... D14/447  
D678,888 S \* 3/2013 Hung ..... D14/452  
D731,497 S \* 6/2015 Xiang ..... D14/447  
D758,375 S \* 6/2016 Won ..... D14/451  
D830,371 S \* 10/2018 Lau ..... D14/452  
D915,413 S \* 4/2021 Lou ..... D14/447  
2020/0012314 A1 \* 1/2020 Chang ..... F16M 11/14

\* cited by examiner

*Primary Examiner* — Angela J Lee  
(74) *Attorney, Agent, or Firm* — JCIPRNET

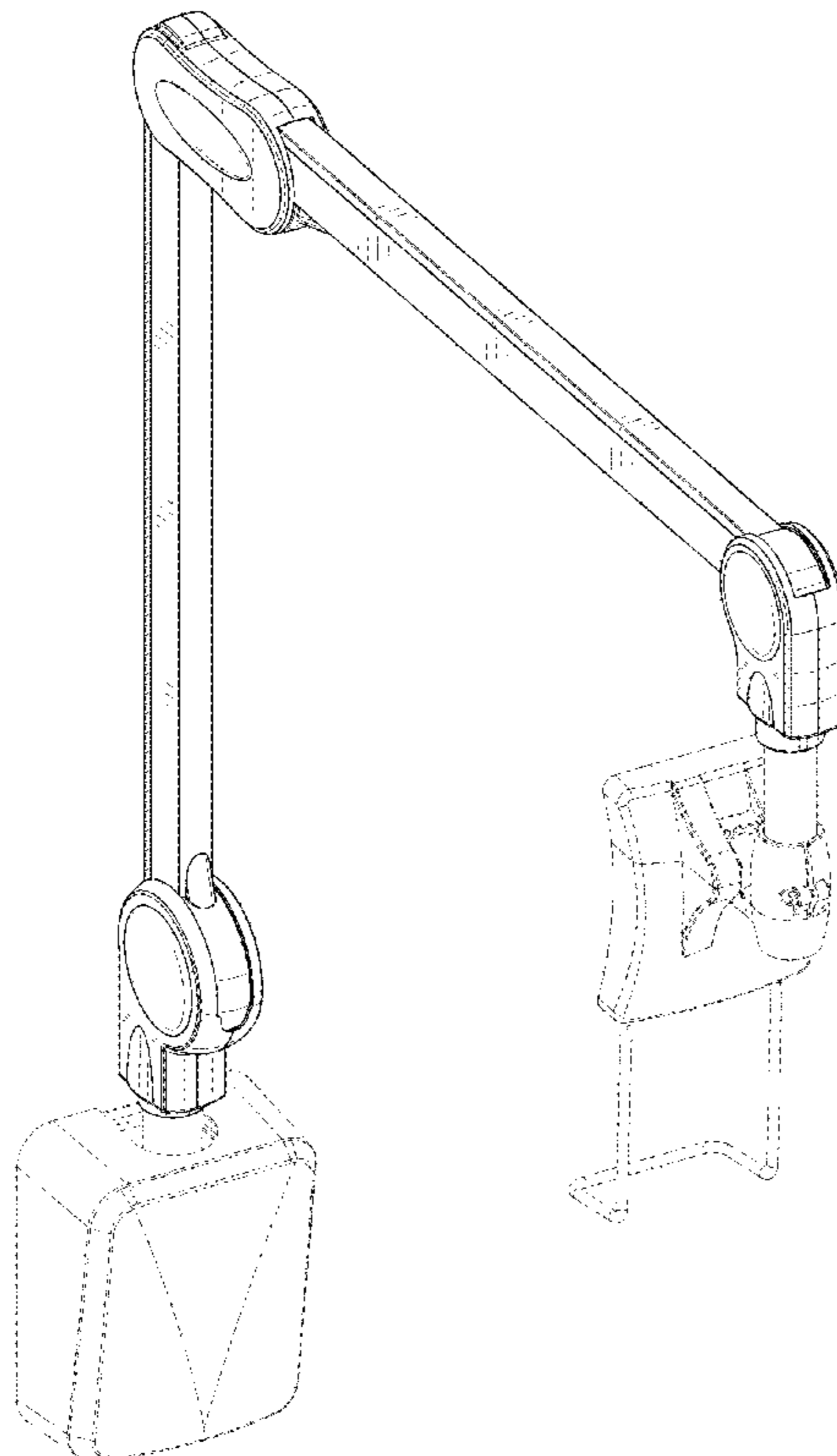
(57) **CLAIM**

The ornamental design for a holding device, as shown and described.

**DESCRIPTION**

FIG. 1 is a perspective view of a holding device showing my new design;  
FIG. 2 is another perspective view thereof;  
FIG. 3 is a front view thereof;  
FIG. 4 is a rear view thereof;  
FIG. 5 is a left side view thereof;  
FIG. 6 is a right side view thereof;  
FIG. 7 is a top view thereof; and,  
FIG. 8 is a bottom view thereof.  
The broken lines shown in the drawings illustrate portions of the holding device that form no part of the claimed design.

**1 Claim, 6 Drawing Sheets**



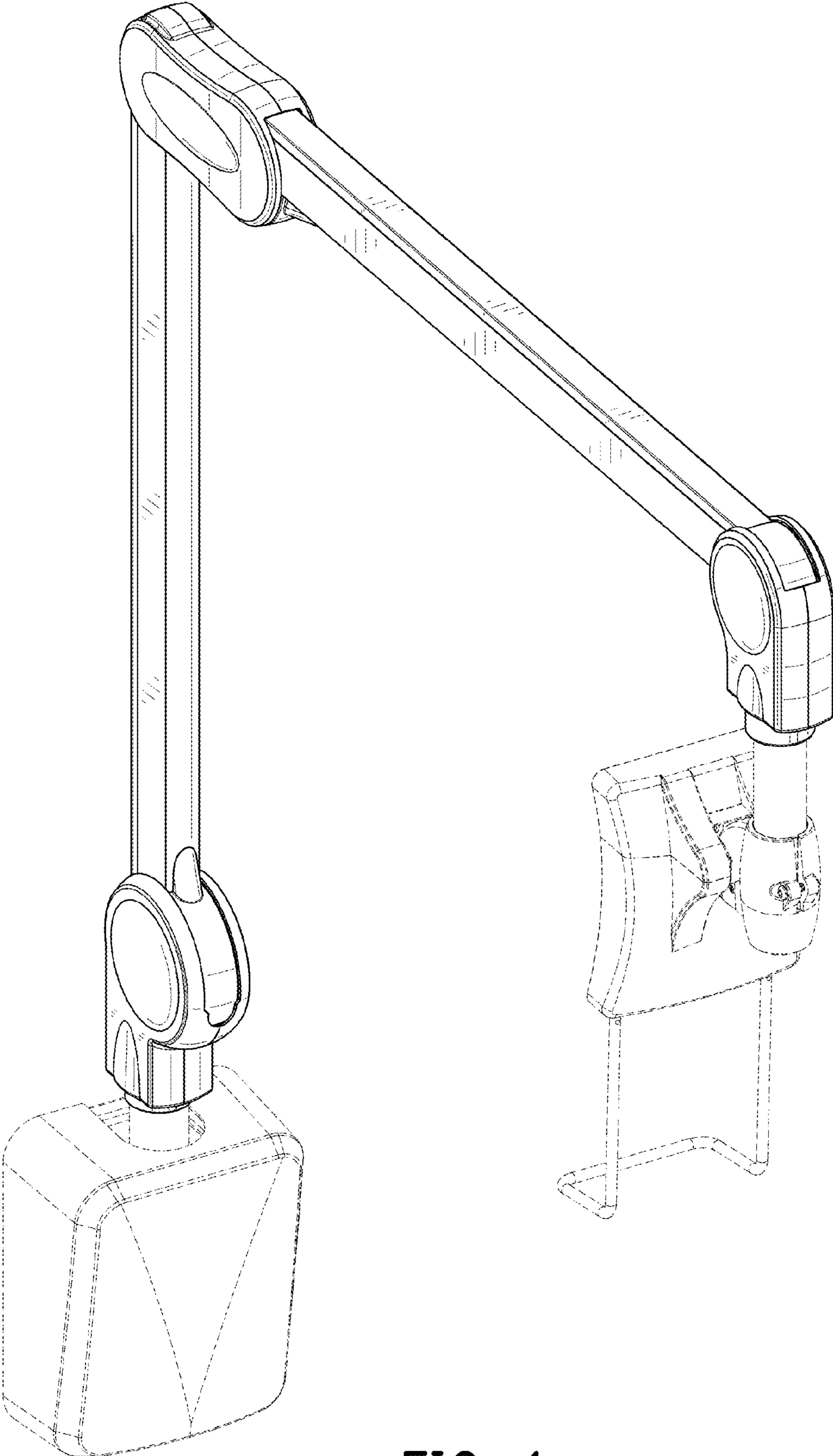


FIG. 1

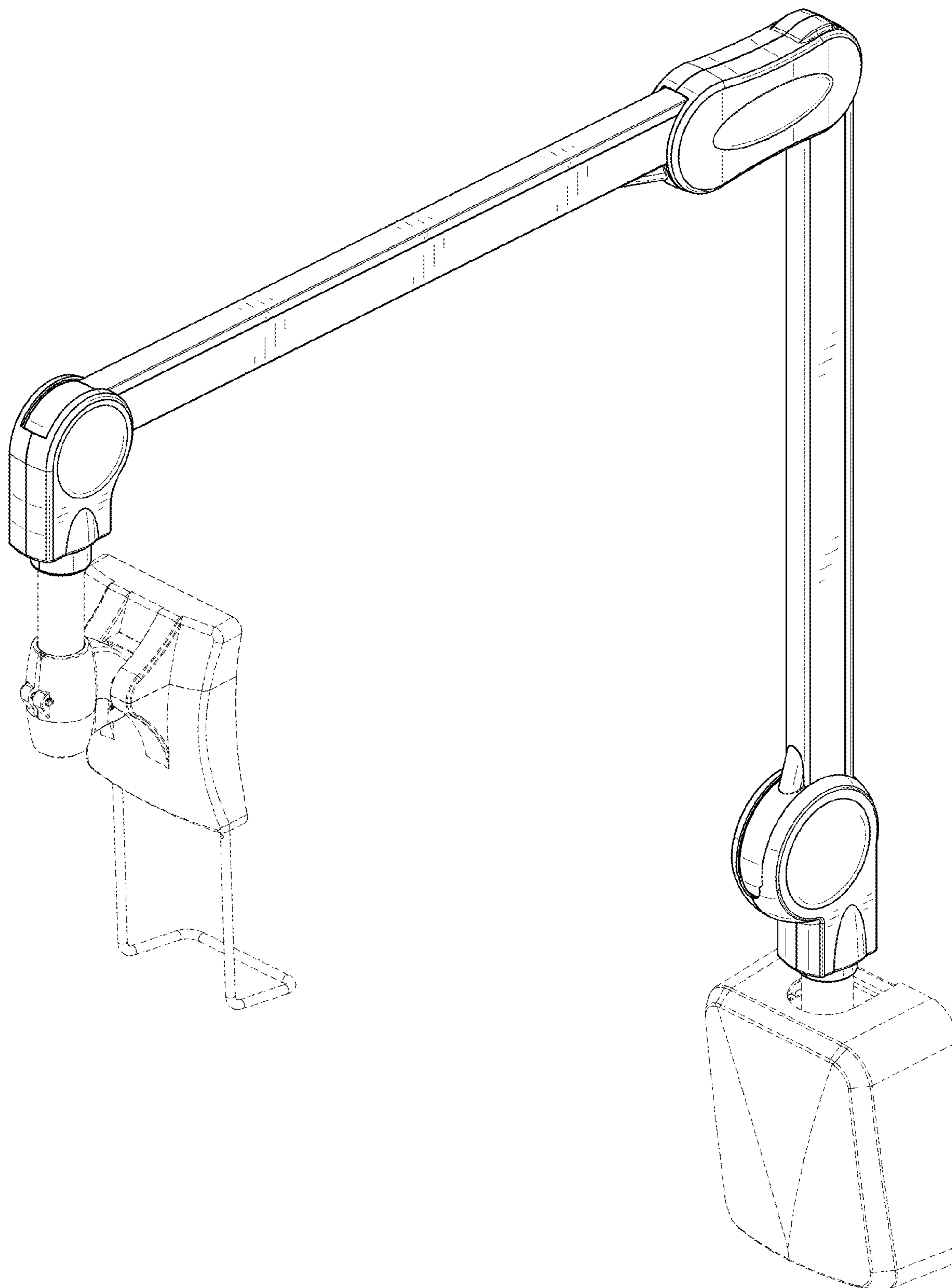


FIG. 2

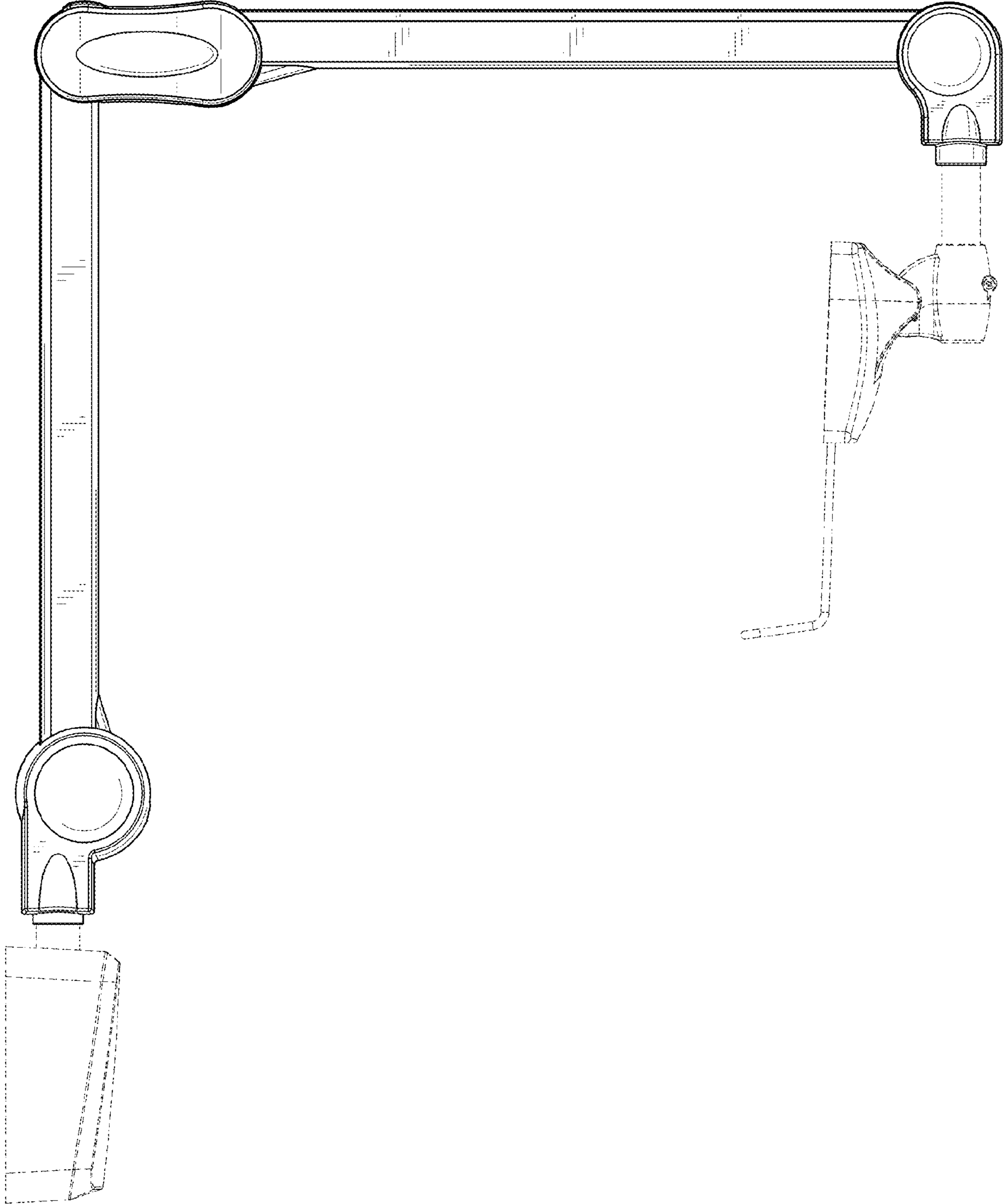


FIG. 3

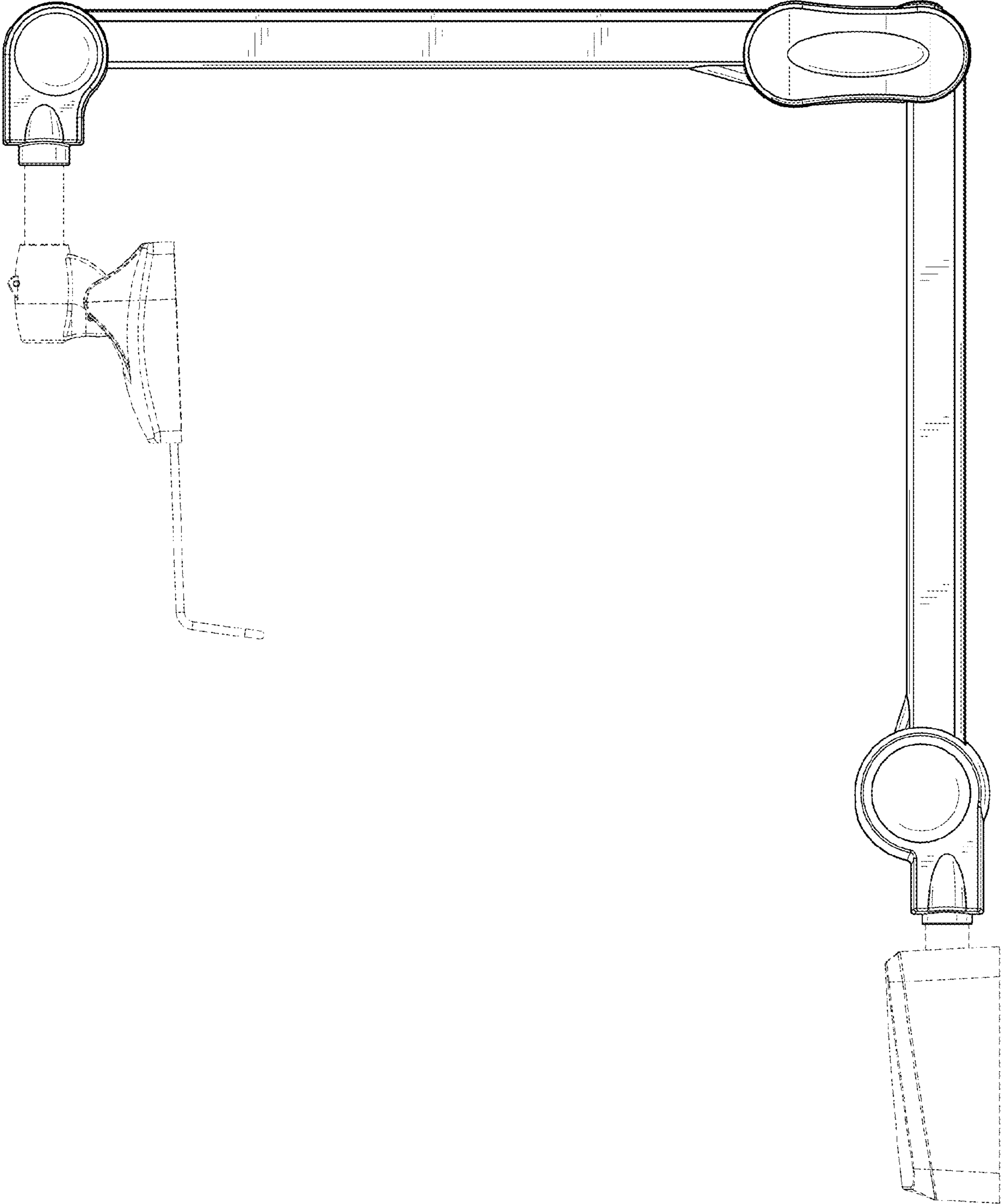


FIG. 4

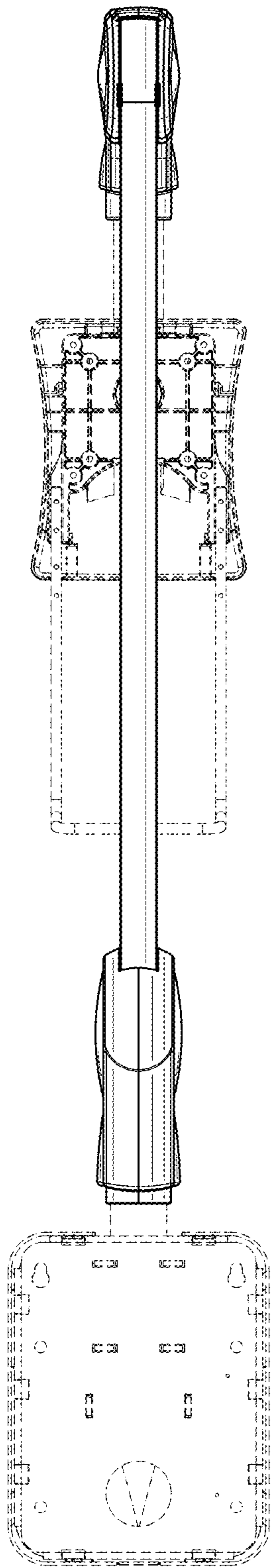


FIG. 5

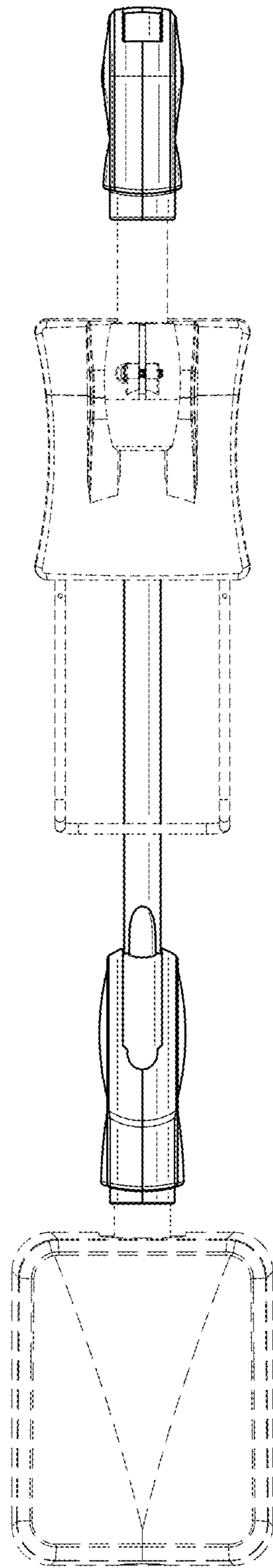


FIG. 6

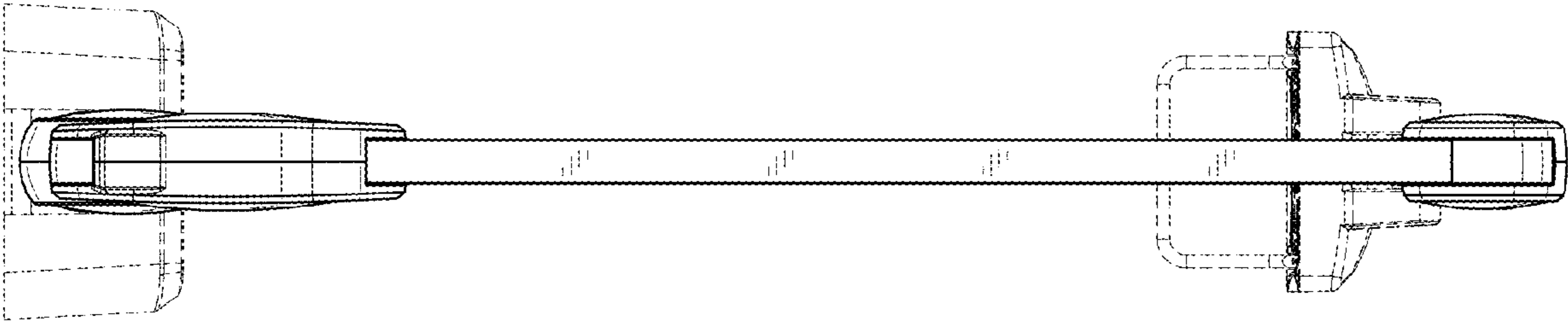


FIG. 7

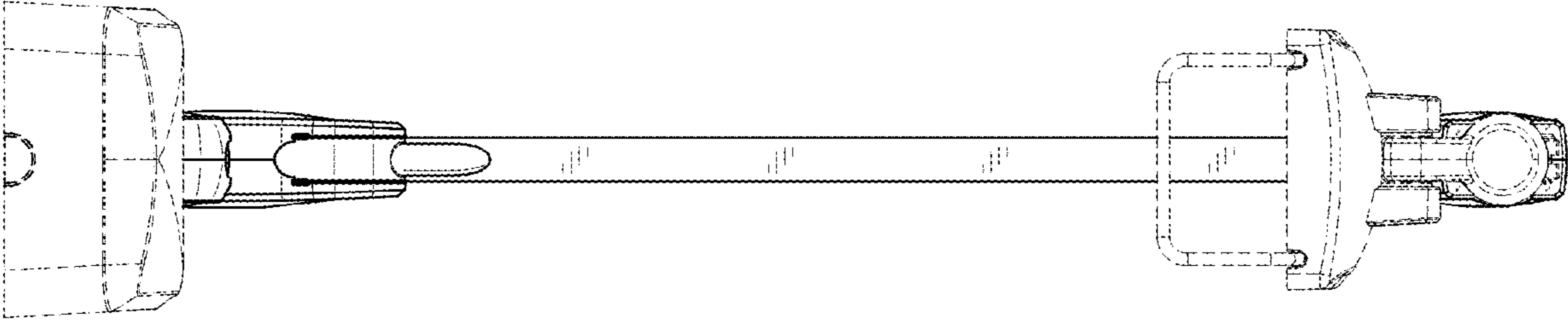


FIG. 8