



US00D941298S

(12) **United States Design Patent** (10) **Patent No.:** **US D941,298 S**
Mecchella et al. (45) **Date of Patent:** **** Jan. 18, 2022**

(54) **ELECTRONIC DEVICE COVER**
(71) Applicant: **Amazon Technologies, Inc.**, Seattle, WA (US)
(72) Inventors: **Monica Liane Mecchella**, San Francisco, CA (US); **Jesse Wheeler Moore**, Oakland, CA (US)
(73) Assignee: **Amazon Technologies, Inc.**, Seattle, WA (US)
(**) Term: **15 Years**
(21) Appl. No.: **29/776,966**
(22) Filed: **Apr. 1, 2021**

D630,179 S 1/2011 Park et al.
D634,314 S 3/2011 Fahrendorff et al.
D649,144 S * 11/2011 Fathollahi D14/250
D669,457 S 10/2012 Li
D673,159 S 12/2012 McCarthy et al.
D675,210 S * 1/2013 Kim D14/440
D685,358 S 7/2013 Armstrong et al.
D685,786 S 7/2013 Seoc et al.
D690,292 S 9/2013 Bibla et al.
D693,823 S 11/2013 Chen et al.
D704,685 S 5/2014 Yeh et al.
D708,621 S * 7/2014 Gifford D14/447
D713,847 S 9/2014 Su
D715,785 S 10/2014 Jacob et al.
D719,144 S 12/2014 Eulette
D720,736 S 1/2015 Chen et al.
D720,737 S 1/2015 Chen et al.
D721,686 S 1/2015 Jacob et al.

(Continued)

Related U.S. Application Data

(62) Division of application No. 29/679,884, filed on Feb. 11, 2019, now Pat. No. Des. 918,212, which is a division of application No. 29/575,211, filed on Jun. 23, 2016, now Pat. No. Des. 841,011.
(51) **LOC (13) Cl.** **14-02**
(52) **U.S. Cl.**
USPC **D14/440**
(58) **Field of Classification Search**
USPC D14/440, 447, 250, 439, 344, 248, 496, D14/374, 371; 206/45.23, 320, 45.2; 361/679.55; 294/25; 224/218; D3/294; D9/420
CPC G06F 1/1628; G06F 1/1626; A47B 23/044
See application file for complete search history.

Primary Examiner — Cynthia R Underwood
(74) *Attorney, Agent, or Firm* — Lee & Hayes, P.C.

(57) **CLAIM**

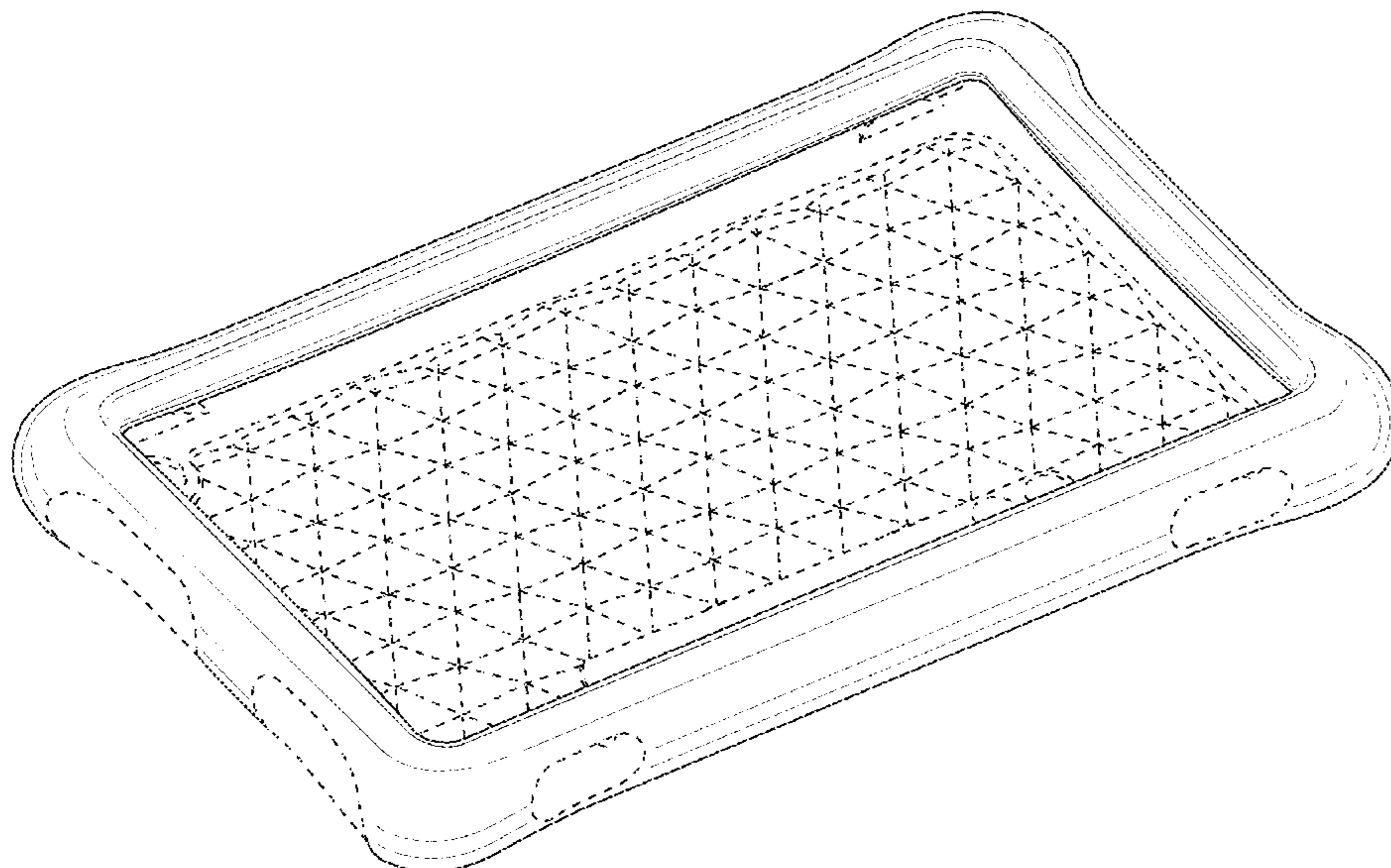
The ornamental design for an electronic device cover, as shown and described.

DESCRIPTION

FIG. 1 is a front perspective view of an electronic device cover;
FIG. 2 is a back perspective view thereof;
FIG. 3 is a front view thereof;
FIG. 4 is a back view thereof;
FIG. 5 is top view thereof;
FIG. 6 is a bottom view thereof;
FIG. 7 is a cross-sectional view taken along the line 7-7 shown in of FIG. 3;
FIG. 8 is a left-side view thereof; and,
FIG. 9 is a right-side view thereof.
The broken lines depict portions of the electronic device cover that form no part of the claimed design.

(56) **References Cited**
U.S. PATENT DOCUMENTS
7,337,565 B2 3/2008 Tsutsumi et al.
D597,052 S 7/2009 Kim et al.
D625,698 S 10/2010 Miyazaki et al.
D626,528 S 11/2010 Park et al.

1 Claim, 6 Drawing Sheets



(56)

References Cited

U.S. PATENT DOCUMENTS

D729,811 S	5/2015	Alis	
D733,154 S	6/2015	Armstrong et al.	
D733,696 S	7/2015	Burgett et al.	
D742,869 S	11/2015	Odhwani et al.	
D766,885 S	9/2016	Armstrong et al.	
D768,123 S	10/2016	Armstrong et al.	
D770,458 S	11/2016	Corcoran et al.	
D772,234 S	11/2016	Massucco et al.	
D772,288 S	11/2016	Montes et al.	
D775,198 S	12/2016	Montes et al.	
D776,122 S *	1/2017	Akana	D14/440
D794,626 S	8/2017	Armstrong et al.	
D795,880 S *	8/2017	Akana	D14/440
D804,486 S *	12/2017	Nyholm	D14/440
D806,082 S	12/2017	Armstrong et al.	
D806,713 S *	1/2018	Wright	D14/440
D819,644 S *	6/2018	Wright	D14/440
D825,571 S	8/2018	Shannon, III	
D832,269 S	10/2018	Cheng	
D832,271 S	10/2018	Cheng	
D834,582 S *	11/2018	Zhuang	D14/440
10,148,307 B2	12/2018	Shannon, III	
D841,655 S *	2/2019	Xie	D14/440
D843,377 S	3/2019	Tang	
D844,621 S	4/2019	Chen	
D851,648 S	6/2019	Tan	
D852,203 S	6/2019	Rui	
D861,665 S	10/2019	Li	
D868,071 S	11/2019	Liu	
D868,788 S	12/2019	Weng	
D868,789 S	12/2019	Weng	
D868,791 S	12/2019	Weng	
D872,093 S	1/2020	Xu	
D874,467 S *	2/2020	Piper	D14/440
D875,089 S	2/2020	Hemesath et al.	
D879,790 S	3/2020	Donachy et al.	
D885,399 S	5/2020	Chen	
D885,402 S *	5/2020	Lei	D14/440
D888,063 S *	6/2020	Chan	D14/440
D892,803 S	8/2020	Armstrong et al.	
D892,805 S *	8/2020	Piper	D14/440
D906,341 S *	12/2020	Jiao	D14/440
D920,336 S *	5/2021	Cheng	D14/440
D921,638 S *	6/2021	Li	D14/440
D922,392 S *	6/2021	Chan	D14/440
2003/0003956 A1	1/2003	Maenpaa et al.	
2010/0089779 A1	4/2010	Bowers	
2011/0297566 A1	12/2011	Gallagher et al.	
2012/0170212 A1 *	7/2012	Gallouzi	G06F 1/1632 361/679.56
2012/0261289 A1	10/2012	Wyner et al.	
2013/0222139 A1 *	8/2013	Gouge	G08B 21/02 340/573.1
2019/0142992 A1	5/2019	Davidson et al.	
2019/0144163 A1	5/2019	Lim	
2019/0149808 A1	5/2019	Ng et al.	
2019/0275714 A1	9/2019	Kanoh	

* cited by examiner

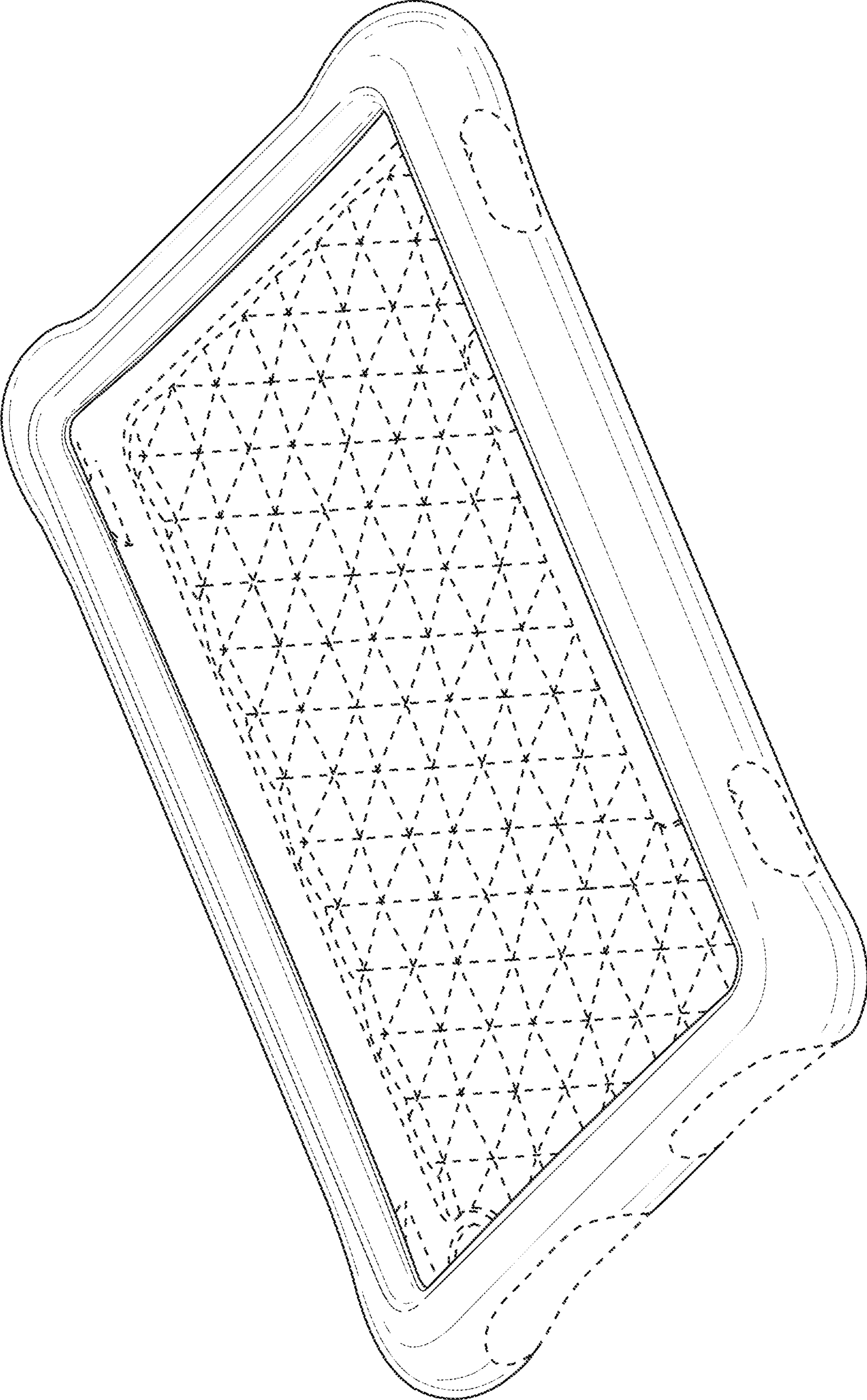


FIG. 1

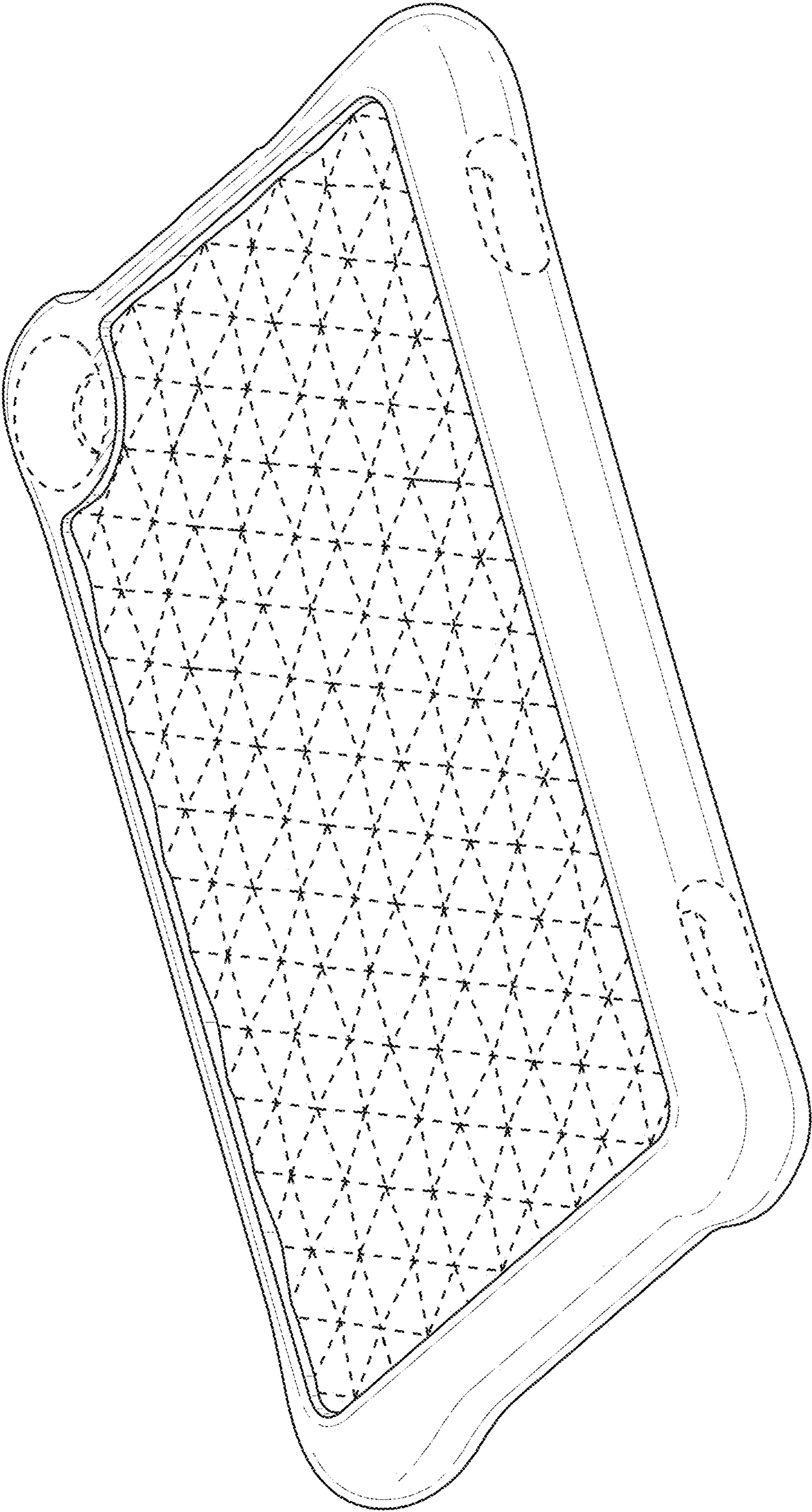


FIG. 2

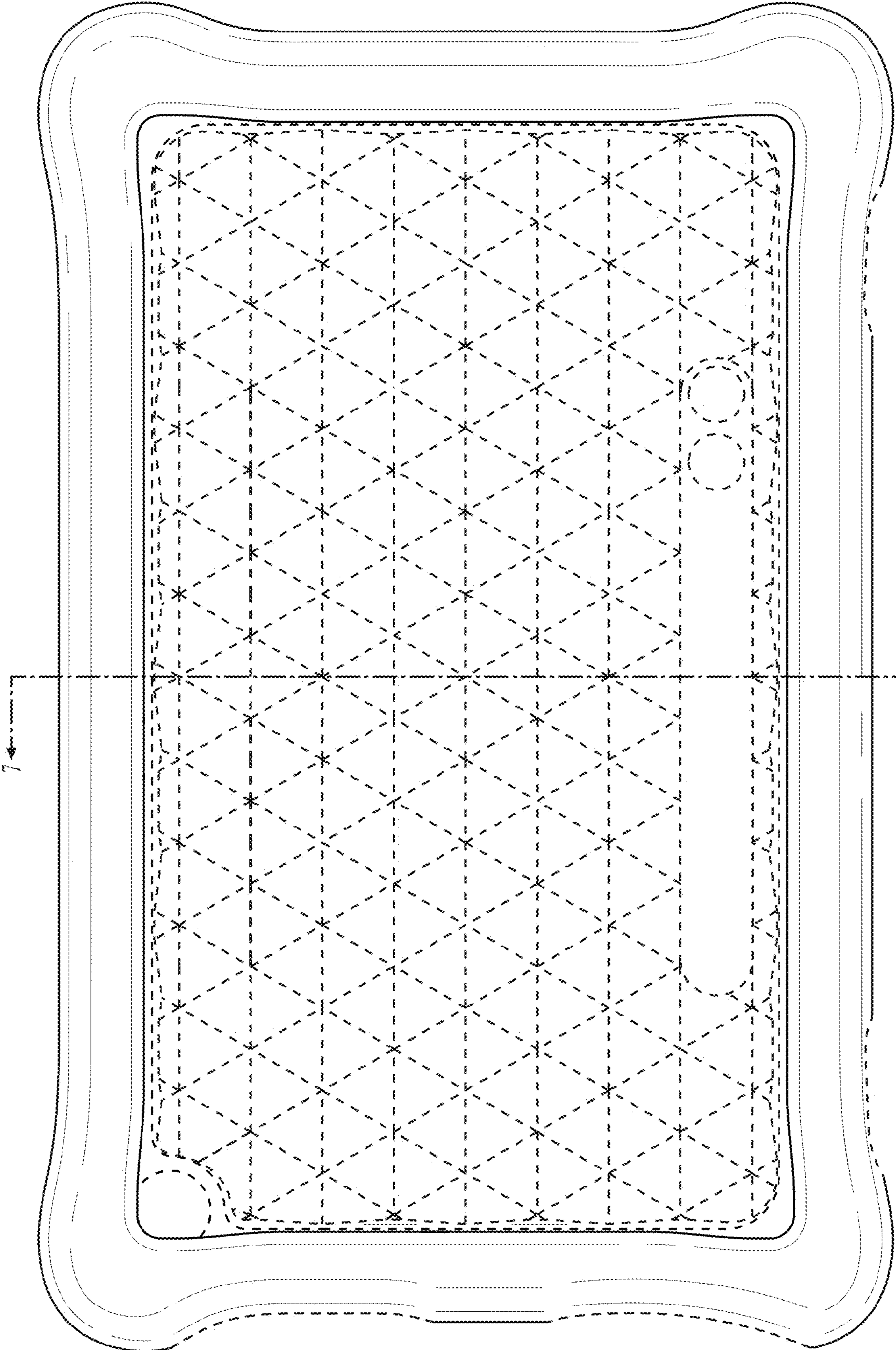


FIG. 3

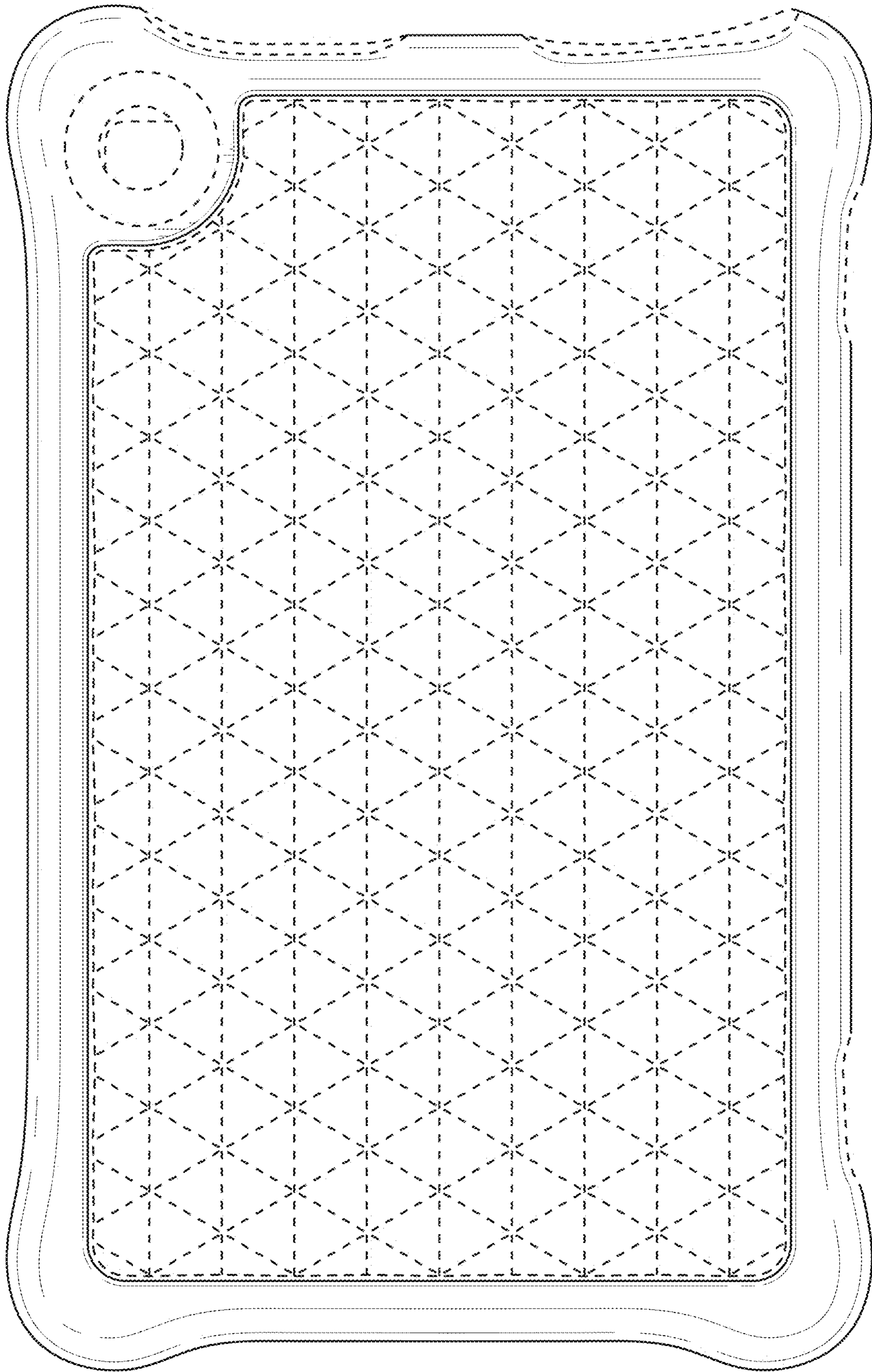


FIG. 4

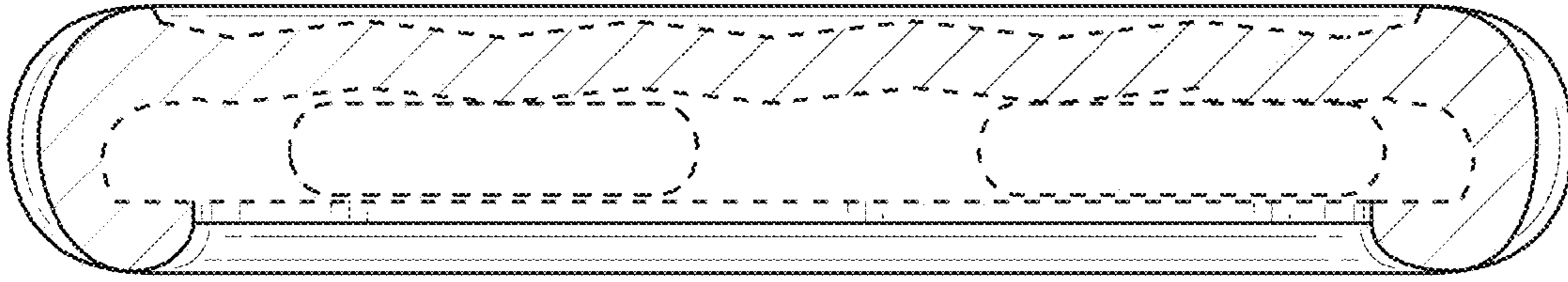


FIG. 5

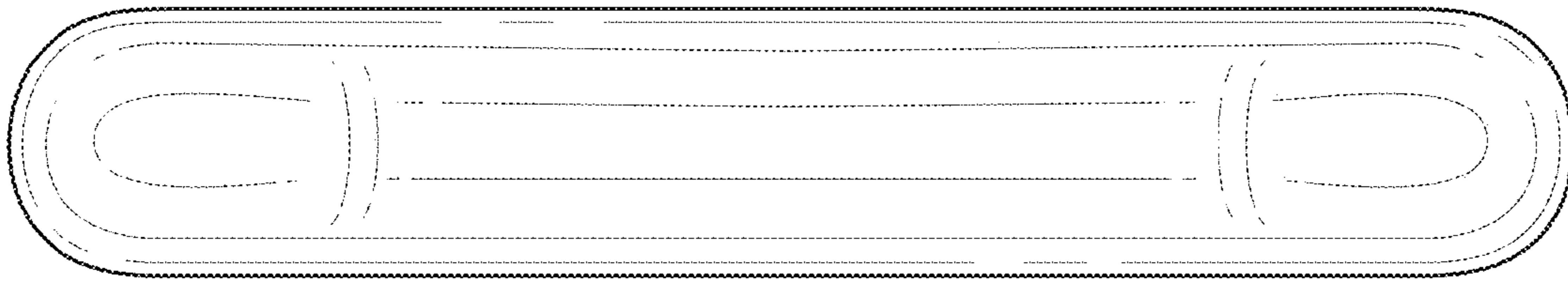


FIG. 6

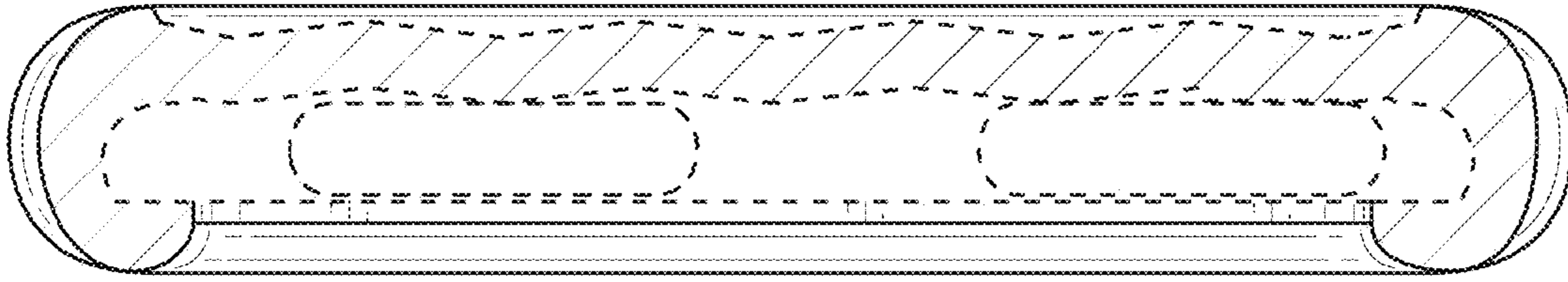


FIG. 7

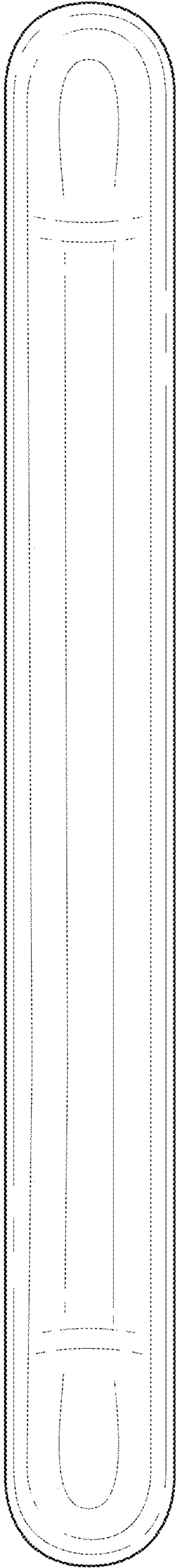


FIG. 8

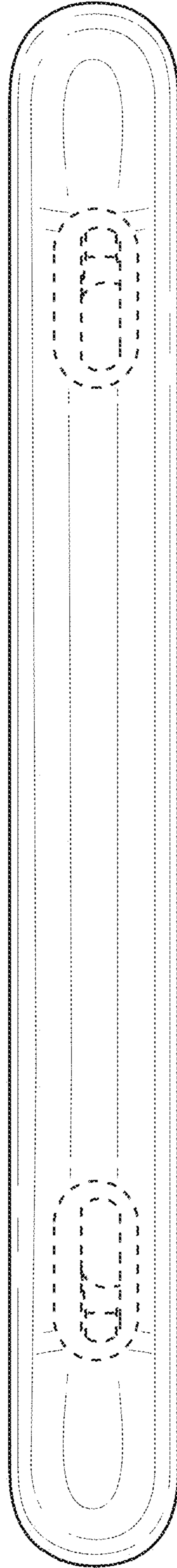


FIG. 9