



US00D941296S

(12) **United States Design Patent** (10) **Patent No.:** **US D941,296 S**  
**Bagley et al.** (45) **Date of Patent:** **\*\* \*Jan. 18, 2022**

(54) **MULTIPOINT FOR MAKING OPTICAL CONNECTIONS**

(71) Applicant: **Corning Research & Development Corporation**, Corning, NY (US)

(72) Inventors: **Steven Mardis Bagley**, San Francisco, CA (US); **Robert Bruce Elkins, II**, Hickory, NC (US); **Scott M. Janis**, El Cerrito, CA (US); **Matthew Wallace Peterson**, San Francisco, CA (US); **Joel Christopher Rosson**, Hickory, NC (US); **Dayne Wilcox**, El Cerrito, CA (US)

(73) Assignee: **Corning Research & Development Corporation**, Corning, NY (US)

(\*) Notice: This patent is subject to a terminal disclaimer.

(\*\*) Term: **15 Years**

(21) Appl. No.: **29/642,340**

(22) Filed: **Mar. 29, 2018**

**Related U.S. Application Data**

(63) Continuation-in-part of application No. 29/627,974, filed on Nov. 30, 2017, now Pat. No. Des. 837,788, (Continued)

(51) **LOC (13) Cl.** ..... **14-02**

(52) **U.S. Cl.**  
USPC ..... **D14/433**; D13/147

(58) **Field of Classification Search**  
USPC ..... D13/123, 133, 146, 147, 152, 154, 156, D13/158, 173, 177, 184, 199; D14/242, D14/433, 434, 435.1, 438; D9/432, 703  
CPC ..... G02B 6/38; G02B 6/3853; G02B 6/3861; G02B 6/3885; G02B 6/3893; G02B 6/44; G02B 6/4455; G02B 6/4452; G02B 6/4471;

(Continued)

(56) **References Cited**

U.S. PATENT DOCUMENTS

D275,101 S 8/1984 Read  
D362,855 S 10/1995 Bevilacqua et al.  
(Continued)

FOREIGN PATENT DOCUMENTS

AU 2014101479 A4 1/2015  
AU 2014101470 A4 3/2015  
(Continued)

OTHER PUBLICATIONS

Non-Final Office Action pertaining to U.S. Appl. No. 29/619,926, filed Oct. 3, 2017.

(Continued)

*Primary Examiner* — Shawn T Gingrich

(74) *Attorney, Agent, or Firm* — Michael E. Carroll, Jr.

(57) **CLAIM**

The ornamental design for a multiports for making optical connections, as shown and described.

**DESCRIPTION**

FIG. 1 is a front perspective view of an embodiment of a multiport for making optical connections showing our new design;

FIG. 2 is a top view thereof of FIG. 1;

FIG. 3 is a bottom view thereof of FIG. 1;

FIG. 4 is a right side view thereof of FIG. 1;

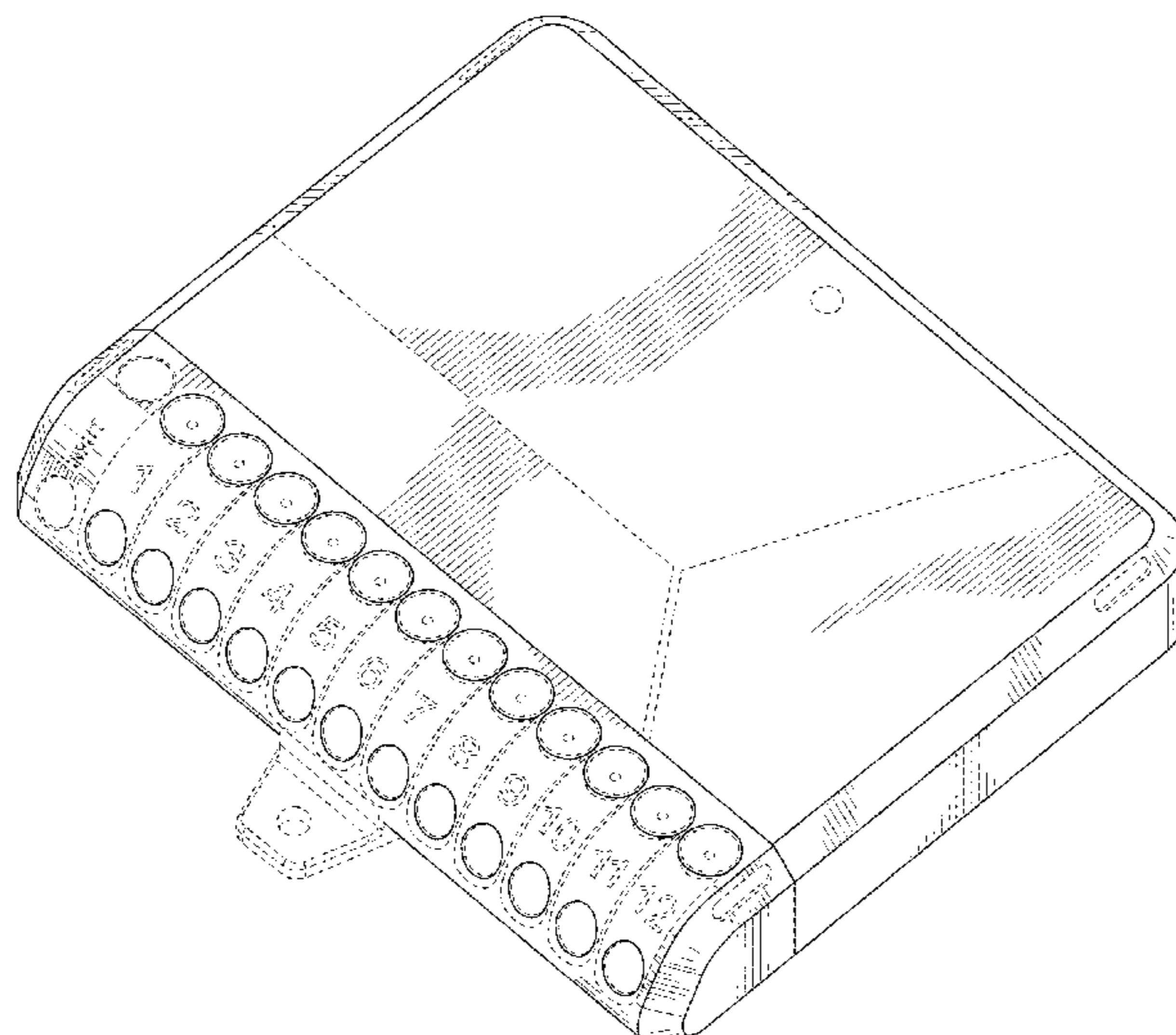
FIG. 5 is a left side view thereof of FIG. 1;

FIG. 6 is a front view thereof of FIG. 1; and,

FIG. 7 is a rear view thereof of FIG. 1.

In FIGS. 1-7, the evenly-spaced broken lines are included for the purpose of illustrating environmental structure and form no part of the claimed design.

**1 Claim, 5 Drawing Sheets**



**Related U.S. Application Data**

and a continuation-in-part of application No. 29/619, 926, filed on Oct. 3, 2017, now Pat. No. Des. 878,372.

- (58) **Field of Classification Search**  
 CPC .. G06F 3/00; G06F 5/00; G06F 13/14; H04L 12/2832; H04L 12/2838  
 See application file for complete search history.

(56) **References Cited**

U.S. PATENT DOCUMENTS

D364,346	S	11/1995	Yamada	
D391,481	S *	3/1998	Oxley .....	D9/432
D394,864	S	6/1998	Brandt	
D425,021	S	5/2000	Ko	
D482,693	S	11/2003	Nishio et al.	
D486,824	S	2/2004	Chung	
D487,086	S	2/2004	Chung	
D490,403	S	5/2004	Wu et al.	
D549,663	S	8/2007	Tsou et al.	
D559,848	S	1/2008	Siu	
D598,856	S	8/2009	Stromiedel et al.	
D598,857	S	8/2009	Stromiedel et al.	
D604,725	S	11/2009	Chen	
7,614,887	B1	11/2009	Yi et al.	
7,653,282	B2	1/2010	Blackwell, Jr. et al.	
D612,810	S	3/2010	Bender	
D613,693	S	4/2010	Bender	
D623,969	S *	9/2010	Neitzel .....	D10/49
D628,201	S *	11/2010	Tian .....	D14/434
8,059,932	B2	11/2011	Hill et al.	
D673,564	S	1/2013	Milliff	
D674,344	S	1/2013	Bies	
D675,106	S	1/2013	Powers et al.	
D676,391	S	2/2013	Gassauer	
D678,286	S	3/2013	Cheng	
D711,884	S	8/2014	Turksu et al.	
8,801,297	B2	8/2014	McColloch	
D716,304	S	10/2014	Orthey	
D724,079	S	3/2015	Probst et al.	
D732,041	S	6/2015	Conn et al.	
D739,822	S	9/2015	Severing	
D740,828	S	10/2015	Bucsa	
D750,023	S	2/2016	Sasano	
D753,596	S	4/2016	Bies	
D753,598	S	4/2016	Bies	
D756,302	S	5/2016	Chen et al.	
9,354,397	B2	5/2016	Bylander et al.	
D769,246	S	10/2016	Mielnik et al.	
D785,632	S	5/2017	Vanduyt et al.	
D788,112	S	5/2017	Liao	
D791,138	S	7/2017	Eliyahu	
D791,774	S	7/2017	Wilcox et al.	
D794,028	S	8/2017	Lin	
D794,478	S	8/2017	Read et al.	
D795,079	S	8/2017	Wilcox et al.	
D796,514	S	9/2017	Xu	
D797,747	S	9/2017	Xu	
D802,415	S	11/2017	Wilcox et al.	
D808,915	S	1/2018	Wang	
D810,693	S	2/2018	Rao et al.	
9,899,752	B2	2/2018	Wu et al.	
D813,874	S	3/2018	Magi et al.	
D815,642	S	4/2018	Wilcox et al.	
D818,952	S	5/2018	Wilcox et al.	
D818,953	S	5/2018	Xu	
D824,335	S	7/2018	Wilcox et al.	
D824,337	S	7/2018	Wilcox et al.	
D825,475	S	8/2018	Henley et al.	
D825,540	S	8/2018	Wilcox et al.	
D828,814	S	9/2018	Senofsky et al.	
D835,049	S	12/2018	Wilcox et al.	
D835,050	S	12/2018	Wilcox et al.	
D835,086	S	12/2018	Wilcox et al.	
D837,216	S *	1/2019	Bagley .....	D14/433
D837,788	S *	1/2019	Bagley .....	D14/433

D837,789	S	1/2019	Woody	
D839,210	S	1/2019	Wilcox et al.	
D841,583	S	2/2019	Spiegel	
D842,815	S	3/2019	Senofsky et al.	
D848,369	S	5/2019	Stolze	
D853,334	S	7/2019	Mastel	
10,379,298	B2	8/2019	Dannoux et al.	
D859,189	S	9/2019	Mendoza et al.	
D862,394	S	10/2019	Hernandez et al.	
D872,012	S	1/2020	Rao	
D878,370	S *	3/2020	Bagley .....	D14/433
D878,371	S *	3/2020	Bagley .....	D14/433
D878,372	S *	3/2020	Bagley .....	D14/433
10,585,256	B1	3/2020	Henley et al.	
D881,132	S *	4/2020	Bagley .....	D13/146
10,641,967	B1 *	5/2020	Cote .....	G02B 6/4471
D888,060	S *	6/2020	Cote .....	D14/433
D893,432	S	8/2020	Murphy et al.	
10,809,480	B1 *	10/2020	Cox .....	G02B 6/4452
D909,976	S	2/2021	Bonner et al.	
D913,246	S *	3/2021	Rosson .....	D13/146
2011/0250803	A1	10/2011	Bies	
2012/0328258	A1	12/2012	Barron et al.	
2013/0259429	A1	10/2013	Czosnowski et al.	
2014/0021621	A1	8/2014	Barnette, Jr. et al.	
2014/0219621	A1	8/2014	Barnette et al.	
2015/0268436	A1	9/2015	Blackwell, Jr. et al.	
2015/0316738	A1	11/2015	McPhil Giraud et al.	
2015/0355428	A1	12/2015	Leeman et al.	
2017/0153399	A1	6/2017	Rodriguez	
2018/0157002	A1	6/2018	Bishop et al.	
2019/0004251	A1	1/2019	Dannoux et al.	
2019/0004252	A1	1/2019	Rosson	
2019/0004255	A1	1/2019	Dannoux et al.	
2019/0004258	A1	1/2019	Dannoux et al.	
2019/0129116	A1	5/2019	Henley et al.	
2019/0339460	A1 *	11/2019	Dannoux .....	G02B 6/3831
2019/0353863	A1	11/2019	Schneider et al.	
2020/0049922	A1 *	2/2020	Rosson .....	G02B 6/4444
2020/0132957	A1	4/2020	Beri et al.	
2020/0174201	A1	6/2020	Cote et al.	
2020/0233168	A1 *	7/2020	Ruda .....	G02B 6/4455
2021/0033811	A1	2/2021	Dannoux et al.	
2021/0072479	A1	3/2021	Ward	
2021/0096317	A1	4/2021	Ripumaree et al.	
2021/0141182	A1 *	5/2021	Ward .....	G02B 6/4452
2021/0141184	A1 *	5/2021	Krampotich .....	G02B 6/4455
2021/0181443	A1 *	6/2021	Zhou .....	G02B 6/4446
2021/0247583	A1 *	8/2021	Elkins, II .....	G02B 6/4471

FOREIGN PATENT DOCUMENTS

CN	305515830	S	12/2019
CN	305515831	S	12/2019
WO	2014123940	A1	8/2014
WO	2019/005190	A2	1/2019
WO	2019/005191	A1	1/2019
WO	2019/005192	A1	1/2019
WO	2019/005193	A1	1/2019
WO	2019/005194	A1	1/2019
WO	2019/005195	A1	1/2019
WO	2019/005196	A1	1/2019
WO	2019/005197	A1	1/2019
WO	2019/005198	A1	1/2019
WO	2019/005199	A1	1/2019
WO	2019/005200	A1	1/2019
WO	2019/005201	A1	1/2019
WO	2019/005202	A1	1/2019
WO	2019/005203	A1	1/2019
WO	2019/005204	A1	1/2019

OTHER PUBLICATIONS

“Corning’s New Jumper In A Box Packaging Solution”, posted on Youtube.com on Jul. 20, 2016, available at <https://www.youtube.com/watch?v=XUNYr-XAbVc>, (last accessed Jun. 4, 2019).  
 E Catalog Corning. OptiSheath® Multipurpose Enclosure. No Date Specified. <https://ecatalog.corning.com/optical-communications/>



(56)

**References Cited**

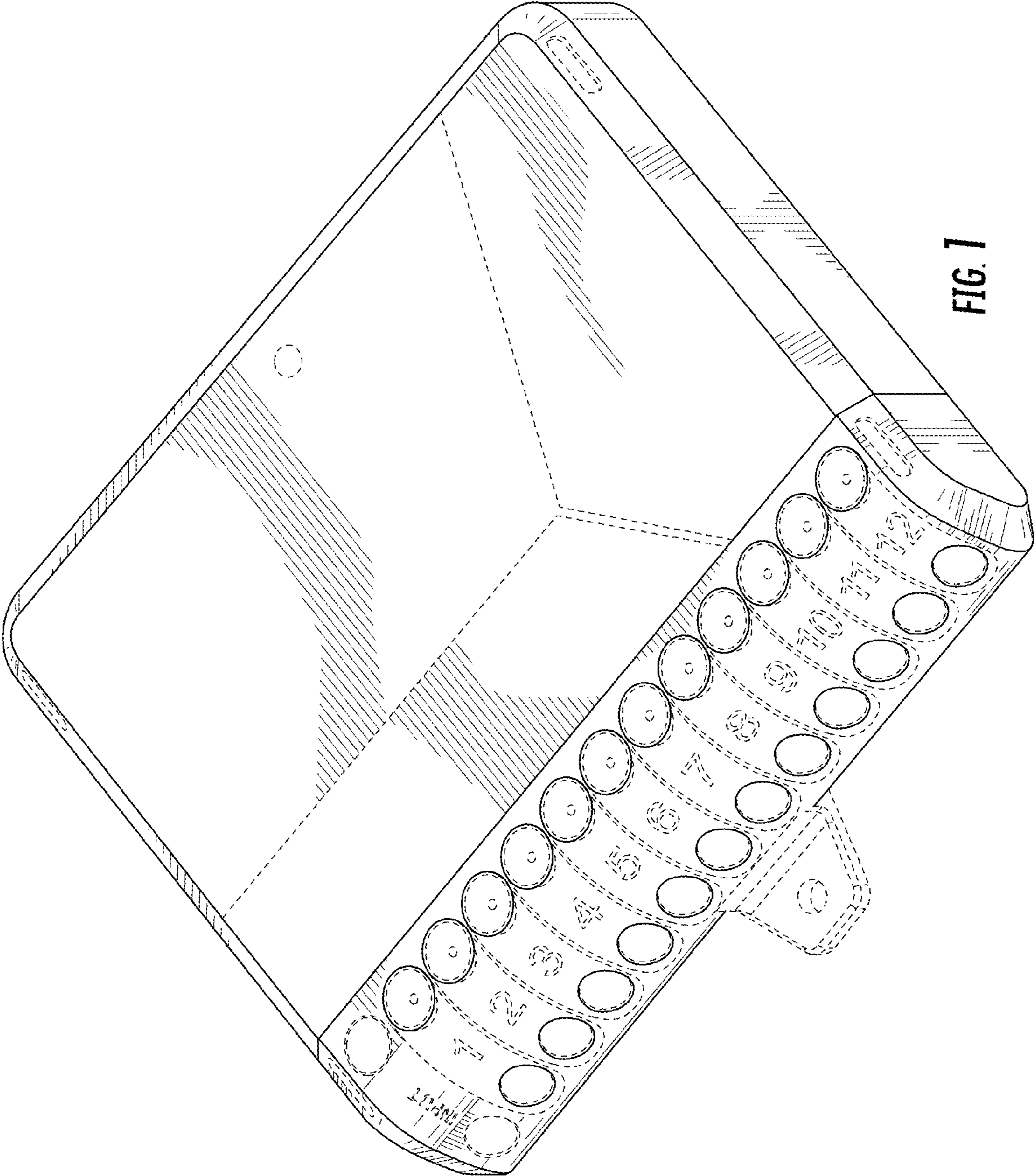
OTHER PUBLICATIONS

CALA/en/closures/Fiber-Optic-Closures/OptiSheath%C2%AE-Multipurpose-Enclosure/p/optisheath-multipurpose-enclosure?clear=true.

Corning's New Jumper in a Box Packaging Solution, dated Jul. 20, 2016. [online], [site visited Dec. 14, 2018]. Available from Internet, <URL: <https://www.youtube.com/watch?v=XUNYr-XAbVc>> (Year: 2016).

Multiports. (Design—(Copyrights) Questel) orbit.com. [Online PDF compilation of references] 32 pgs. Print Dates Range Dec. 16, 2015-Nov. 5, 2019 [Retrieved Mar. 2, 2021] <https://www.orbit.com/export/UCZAH96B/pdf4/51722d28-a125-44ac-8fcf-9bcc531e5048-200453.pdf> (Year: 2021).

\* cited by examiner



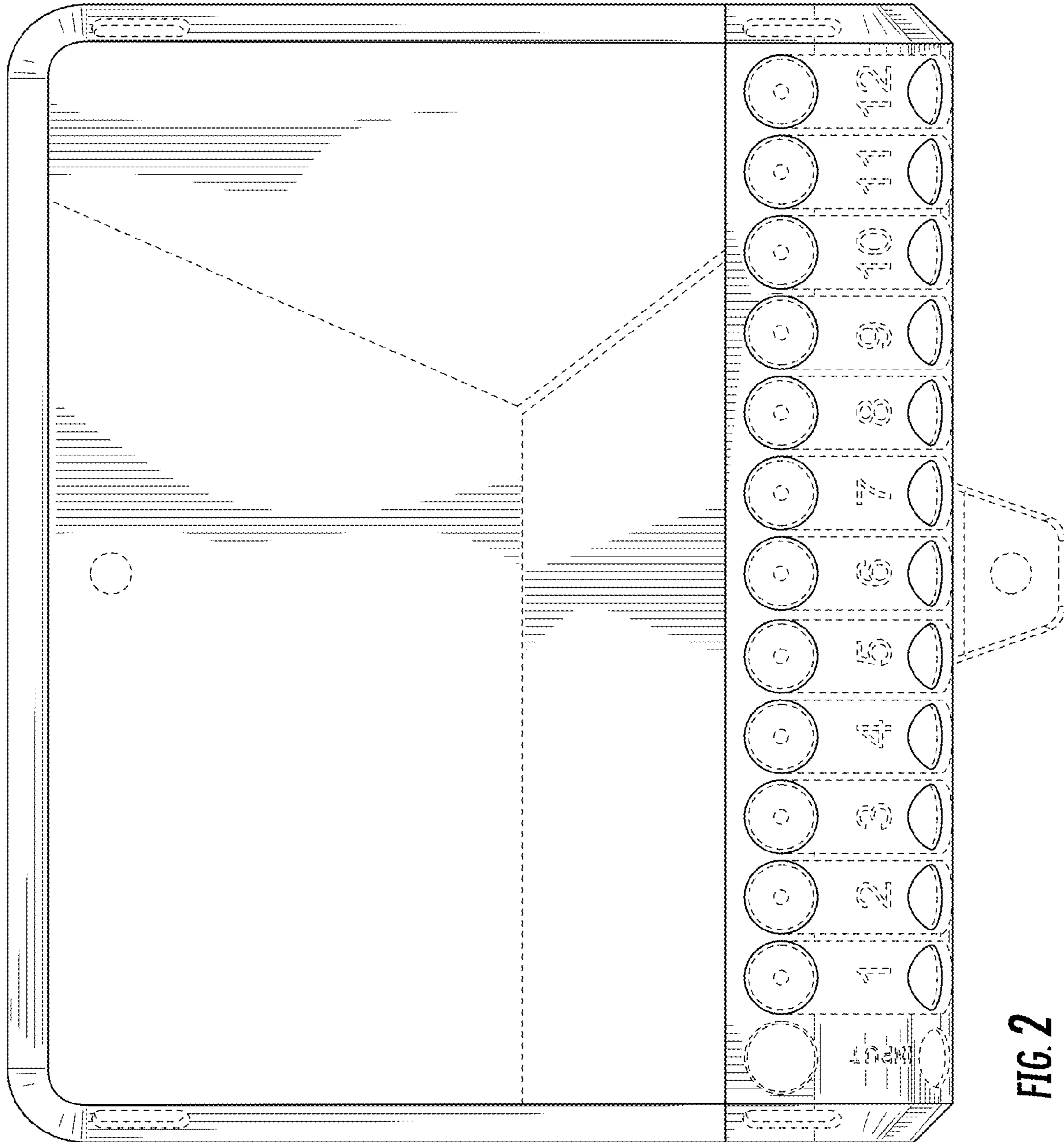


FIG. 2

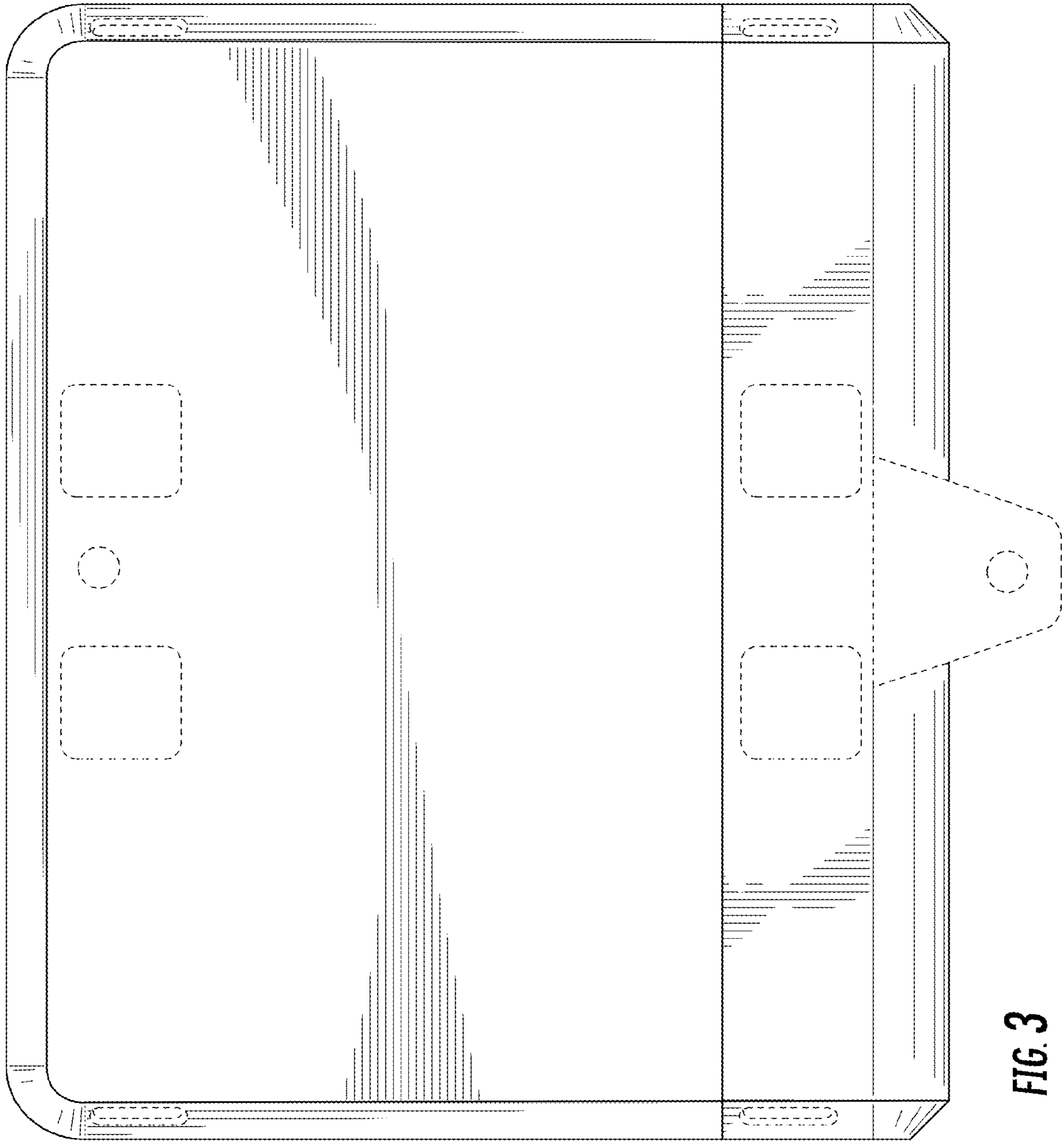
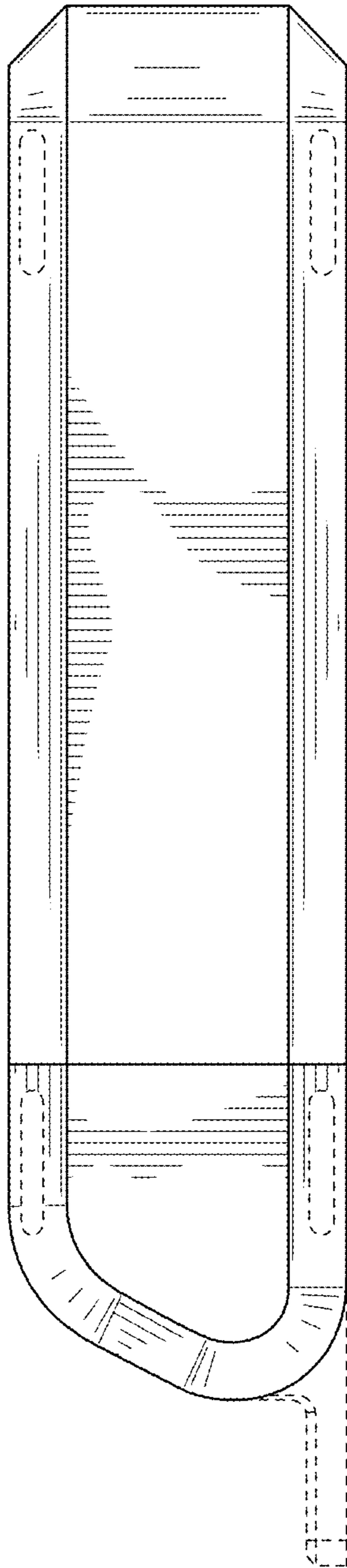
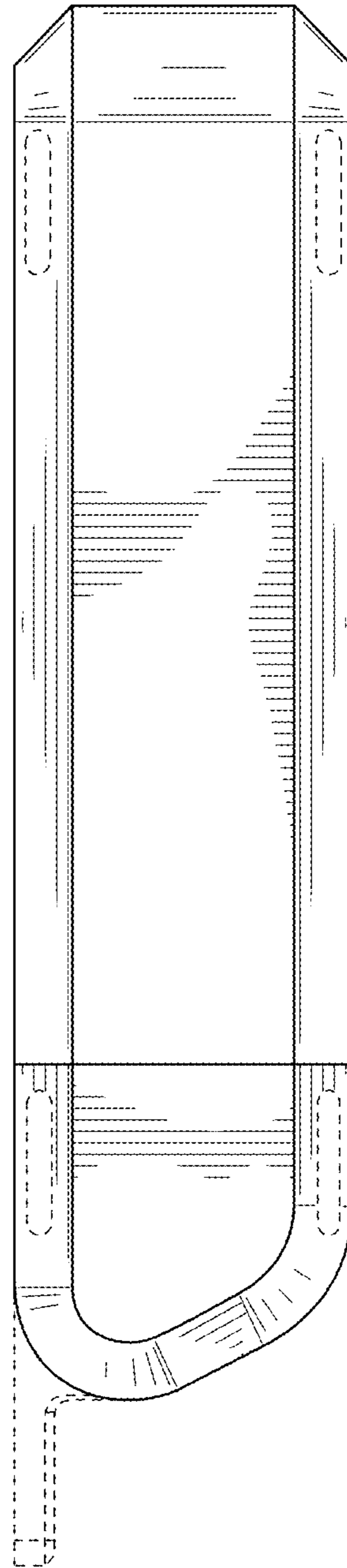


FIG. 3



**FIG. 4**



**FIG. 5**



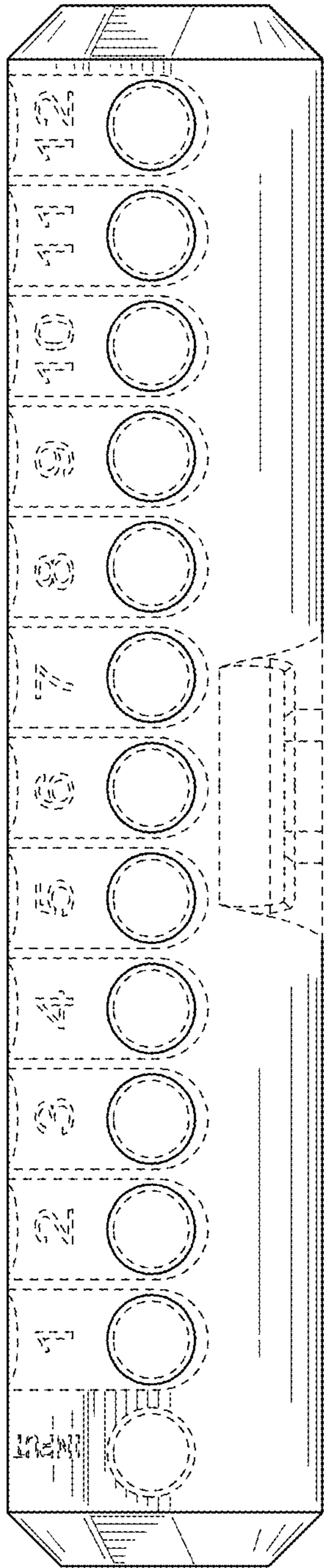


FIG. 6

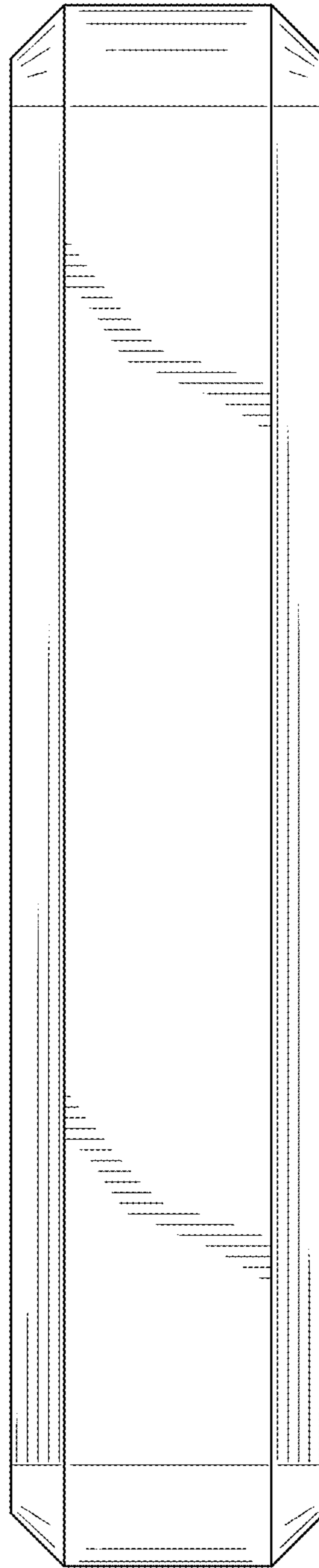


FIG. 7