



US00D941293S

(12) **United States Design Patent**  
**Zhao**

(10) **Patent No.:** **US D941,293 S**  
(45) **Date of Patent:** **\*\* Jan. 18, 2022**

(54) **STYLUS**  
(71) Applicant: **Shenzhen Gaoxinde Electronic Commerce Co., Ltd.**, Guangdong (CN)  
(72) Inventor: **Jingdan Zhao**, Guangdong (CN)  
(73) Assignee: **Shenzhen Gaoxinde Electronic Commerce Co., Ltd.**, Guangdong (CN)

D909,378 S 2/2021 Huang  
D909,379 S \* 2/2021 Liu ..... D14/411  
D909,380 S \* 2/2021 Liu ..... D14/411  
D911,342 S 2/2021 Menendez et al.  
D914,683 S \* 3/2021 Son ..... D14/411  
D915,404 S \* 4/2021 Lai ..... D14/411  
D921,628 S \* 6/2021 Huang ..... D14/411  
D921,630 S \* 6/2021 Liu ..... D14/411  
D921,631 S \* 6/2021 Huang ..... D14/411  
D921,632 S \* 6/2021 Huang ..... D14/411

(\*\*) Term: **15 Years**

\* cited by examiner

(21) Appl. No.: **29/777,122**

*Primary Examiner* — Austin Murphy  
(74) *Attorney, Agent, or Firm* — ScienBiziP, P.C.

(22) Filed: **Apr. 2, 2021**

(57) **CLAIM**

(51) **LOC (13) Cl.** ..... **14-02**

The ornamental design for a stylus, as shown and described.

(52) **U.S. Cl.**  
USPC ..... **D14/411**

**DESCRIPTION**

(58) **Field of Classification Search**  
USPC ..... D14/372, 496, 432, 371, 125, 126, 129,  
D14/299, 411; D16/300–342; 351/158,  
351/153, 144; 345/7–9, 905; 455/344;  
348/115, 53, 121, 739  
CPC ..... G02B 27/017; G06F 3/016; G06F 3/033;  
G06F 3/0317; G06F 3/03545; G06F  
3/041; G06K 9/222  
See application file for complete search history.

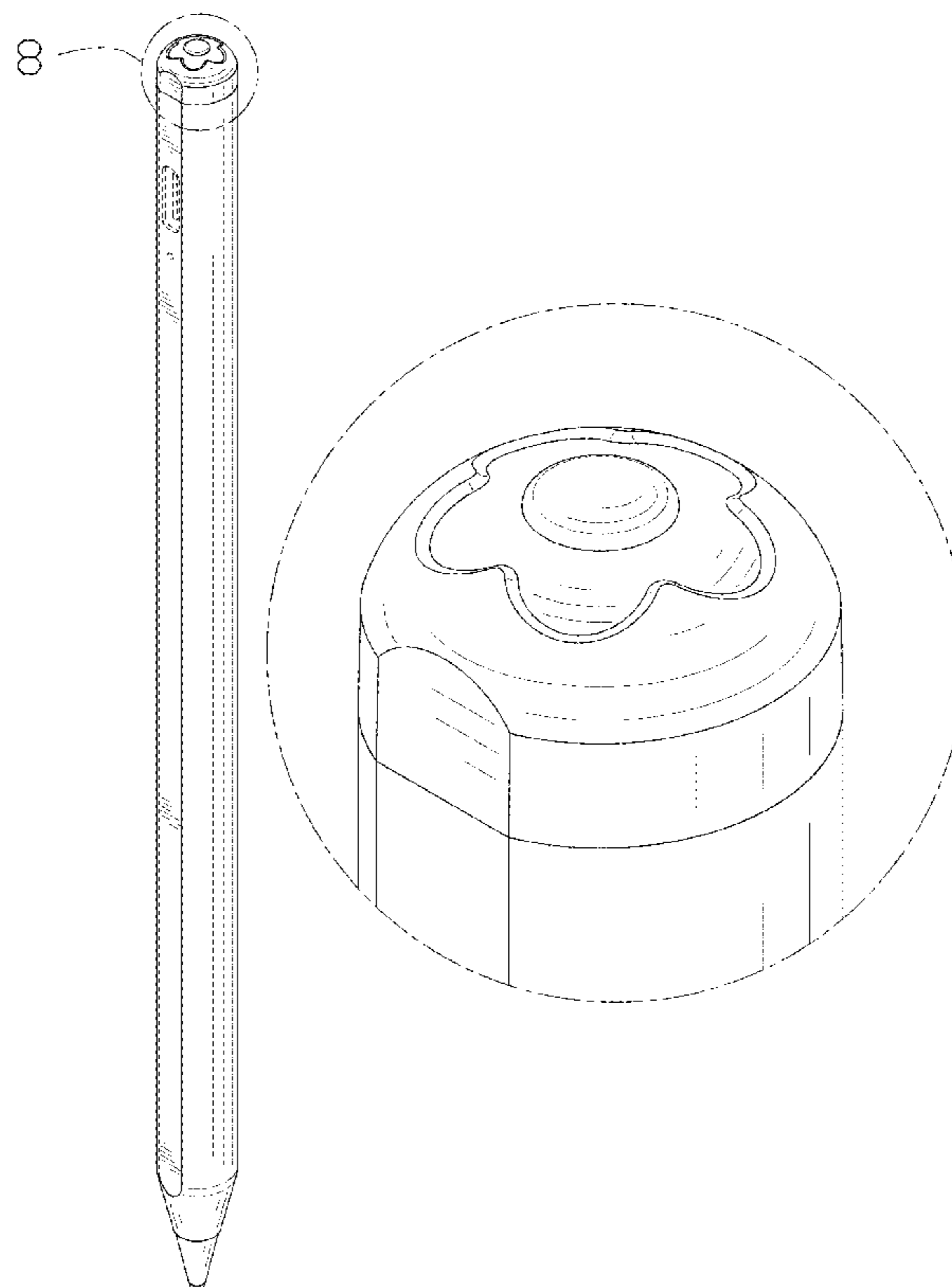
FIG. 1 is a front, right, and top perspective view of a stylus, showing my design.  
FIG. 2 is a front elevation view thereof.  
FIG. 3 is a rear elevation view thereof.  
FIG. 4 is a left side elevation view thereof.  
FIG. 5 is a right side elevation view thereof.  
FIG. 6 is a top plan view thereof.  
FIG. 7 is a bottom plan view thereof; and,  
FIG. 8 is a partial enlarged view of an area labeled 8 in FIG. 1 comprising a head part.  
The broken lines shown in the drawings are included for the purpose of illustrating portions of the stylus that form no part of the claimed design.

(56) **References Cited**

**U.S. PATENT DOCUMENTS**

D901,585 S \* 11/2020 Vadenne ..... D19/186  
D908,703 S \* 1/2021 Huang ..... D14/411

**1 Claim, 8 Drawing Sheets**



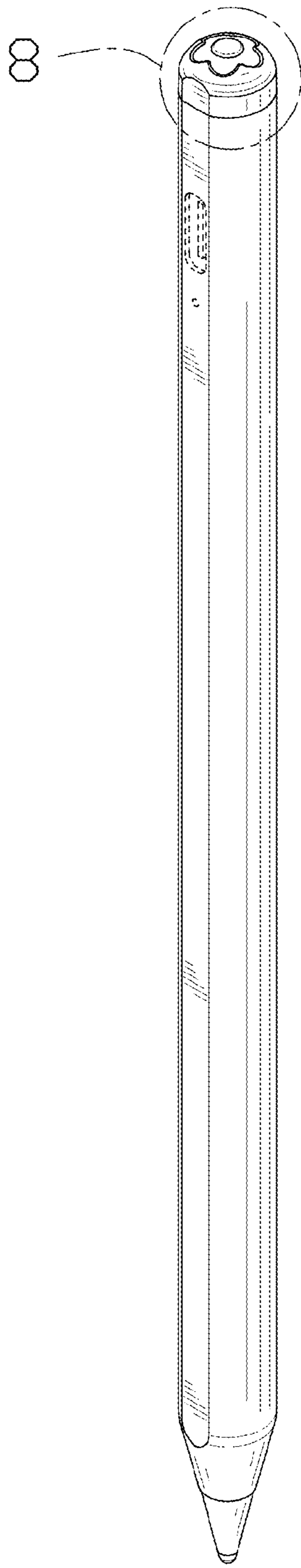


FIG. 1

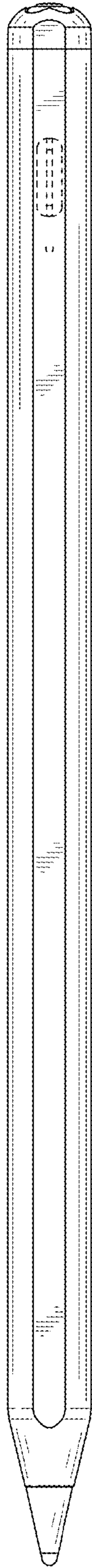


FIG. 2

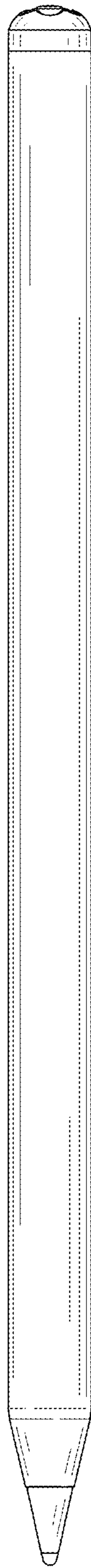


FIG. 3



FIG. 4

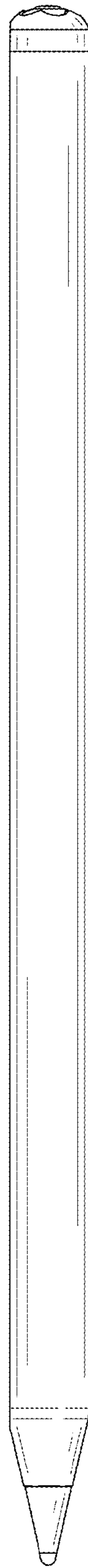


FIG. 5

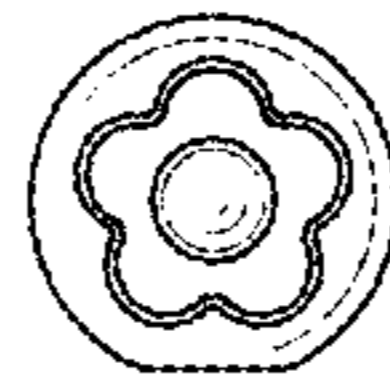


FIG. 6

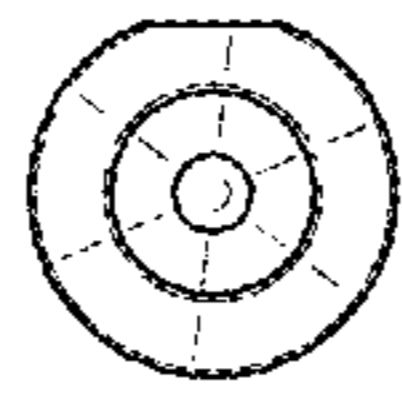


FIG. 7



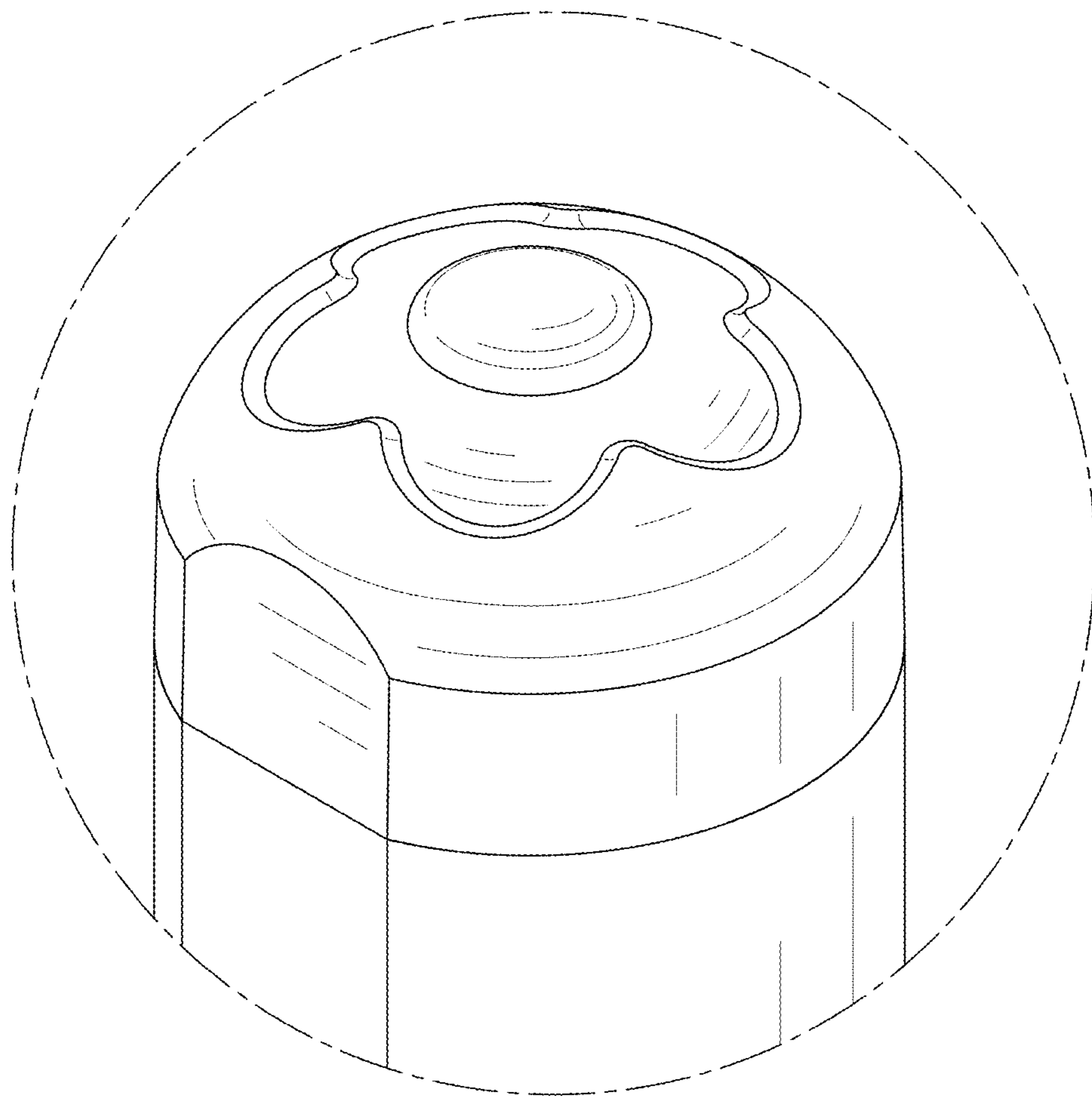


FIG. 8