



US00D941292S

(12) **United States Design Patent**
Kanno

(10) **Patent No.:** **US D941,292 S**
(45) **Date of Patent:** **** Jan. 18, 2022**

(54) **PEN JACKET**

(71) Applicant: **Wacom Co., Ltd.**, Kazo (JP)

(72) Inventor: **Teppei Kanno**, Toyko (JP)

(73) Assignee: **Wacom Co., Ltd.**, Kazo (JP)

(**) Term: **15 Years**

(21) Appl. No.: **29/744,518**

(22) Filed: **Jul. 29, 2020**

(30) **Foreign Application Priority Data**

Jan. 30, 2020 (JP) 2020-001636

(51) **LOC (13) Cl.** **14-02**

(52) **U.S. Cl.**
USPC **D14/411**

(58) **Field of Classification Search**
USPC D14/372, 496, 432, 371, 125, 126, 129,
D14/299, 411; D16/300-342; 351/158,
351/153, 144; 345/7-9, 905; 455/344;
348/115, 53, 121, 739
CPC G02B 27/017; G06F 3/016; G06F 3/033;
G06F 3/0317; G06F 3/03545; G06F
3/041; G06K 9/222

See application file for complete search history.

(56) **References Cited**

U.S. PATENT DOCUMENTS

D799,488 S * 10/2017 Nishizawa D14/411
D835,106 S * 12/2018 Hsu D14/411

D856,335 S * 8/2019 Lam D14/411
D895,620 S * 9/2020 Vadenne D14/411
D909,380 S * 2/2021 Liu D14/411
D911,341 S * 2/2021 Nishizawa D14/411
D921,630 S * 6/2021 Liu D14/411

* cited by examiner

Primary Examiner — Austin Murphy

(74) *Attorney, Agent, or Firm* — Christensen O'Connor
Johnson Kindness PLLC

(57) **CLAIM**

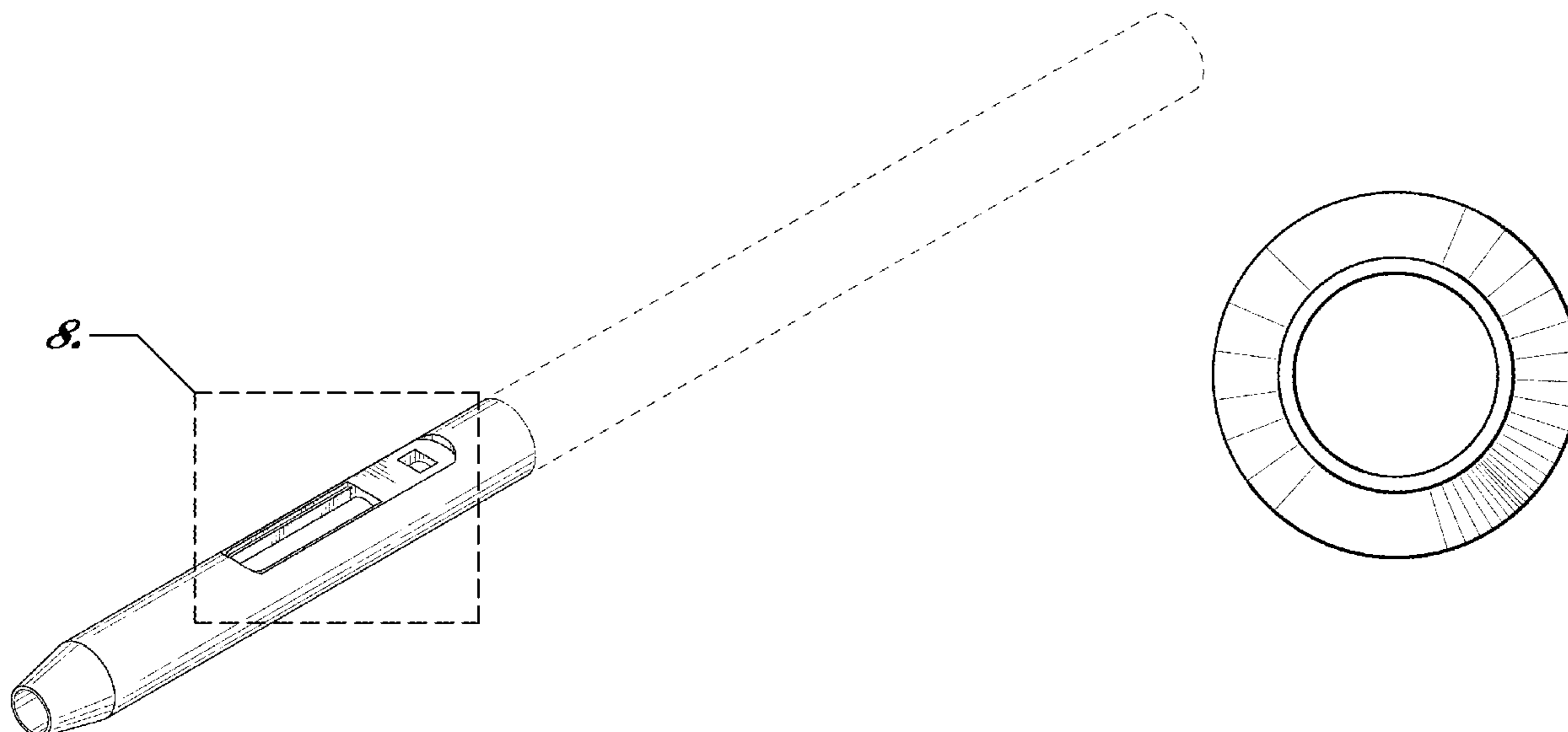
The ornamental design for a pen jacket, as shown and described.

DESCRIPTION

FIG. 1 is a front-bottom-right perspective view of a pen jacket according to my new design;
FIG. 2 is a rear-top-left perspective view thereof;
FIG. 3 is a front elevational view thereof;
FIG. 4 is a right side elevational view thereof, wherein the left side elevational view is a mirror image of the right side elevational view;
FIG. 5 is a rear elevational view thereof;
FIG. 6 is a top plan view thereof;
FIG. 7 is a bottom plan view thereof; and,
FIG. 8 is a partial front-bottom-right perspective view thereof indicated in FIG. 1.

The dot-dot-dash broken lines indicate the boundary of the enlarged portions of the drawings. The remaining broken lines in the figures depict portions of the pen jacket that form no part of the claimed design.

1 Claim, 5 Drawing Sheets



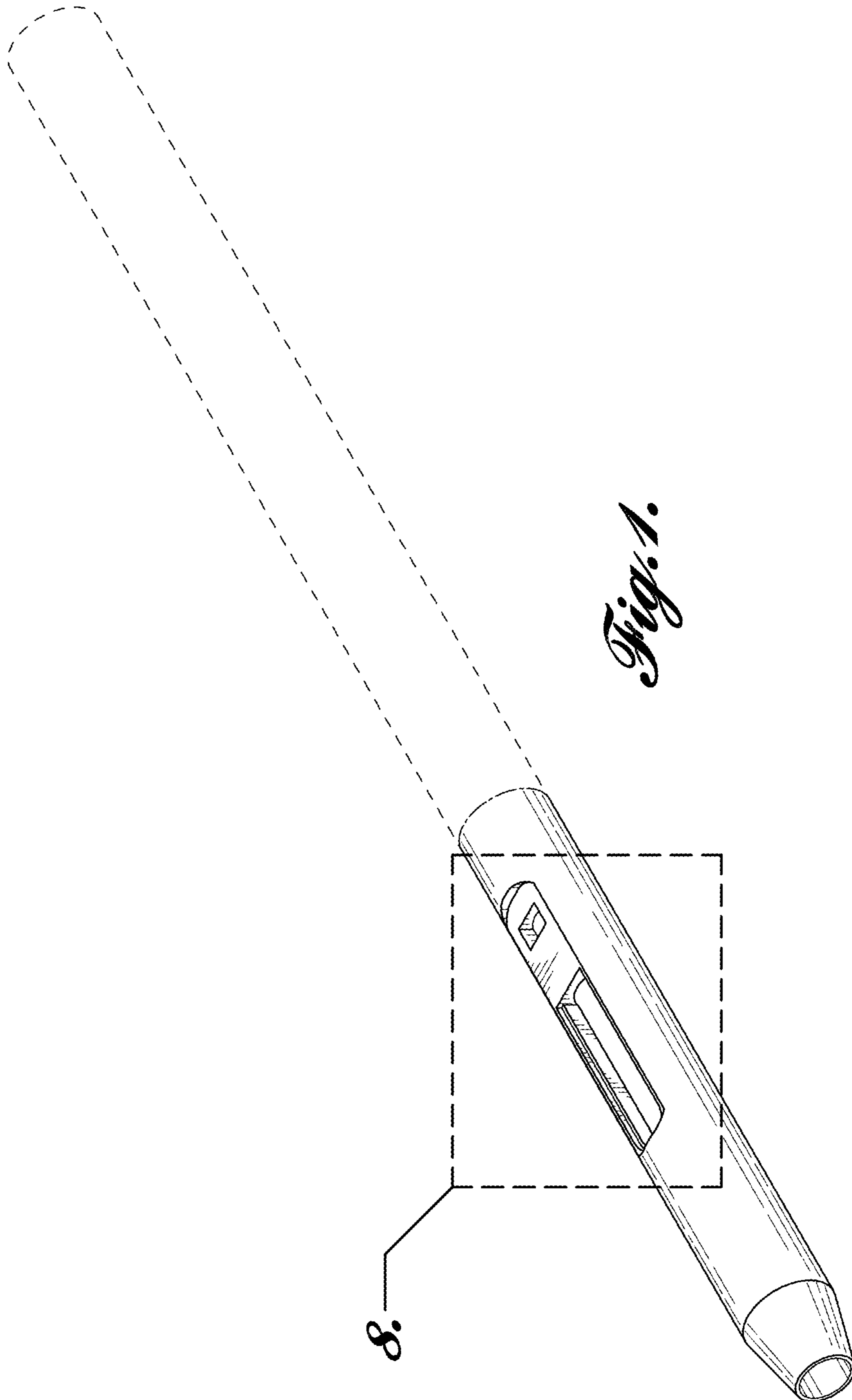


Fig. 1.

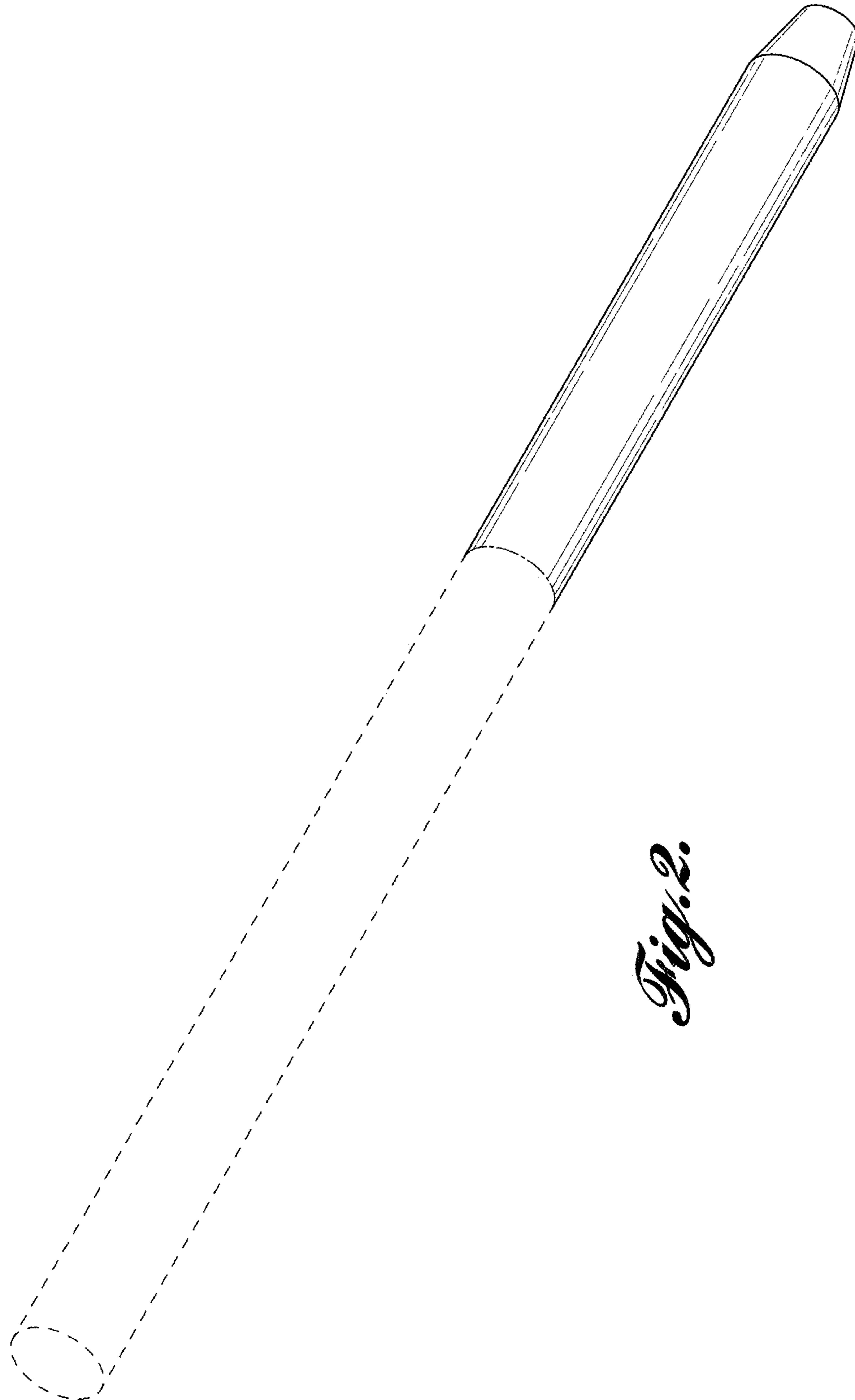


Fig. 2.



Fig. 3.

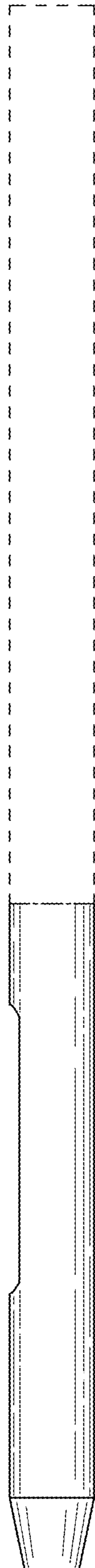


Fig. 4.

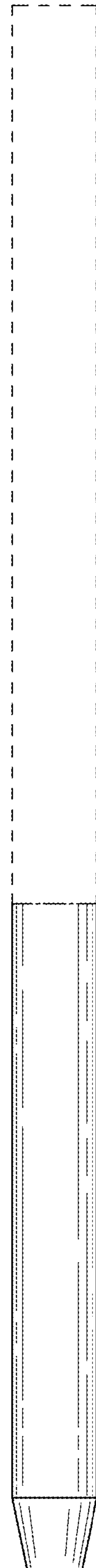


Fig. 5.

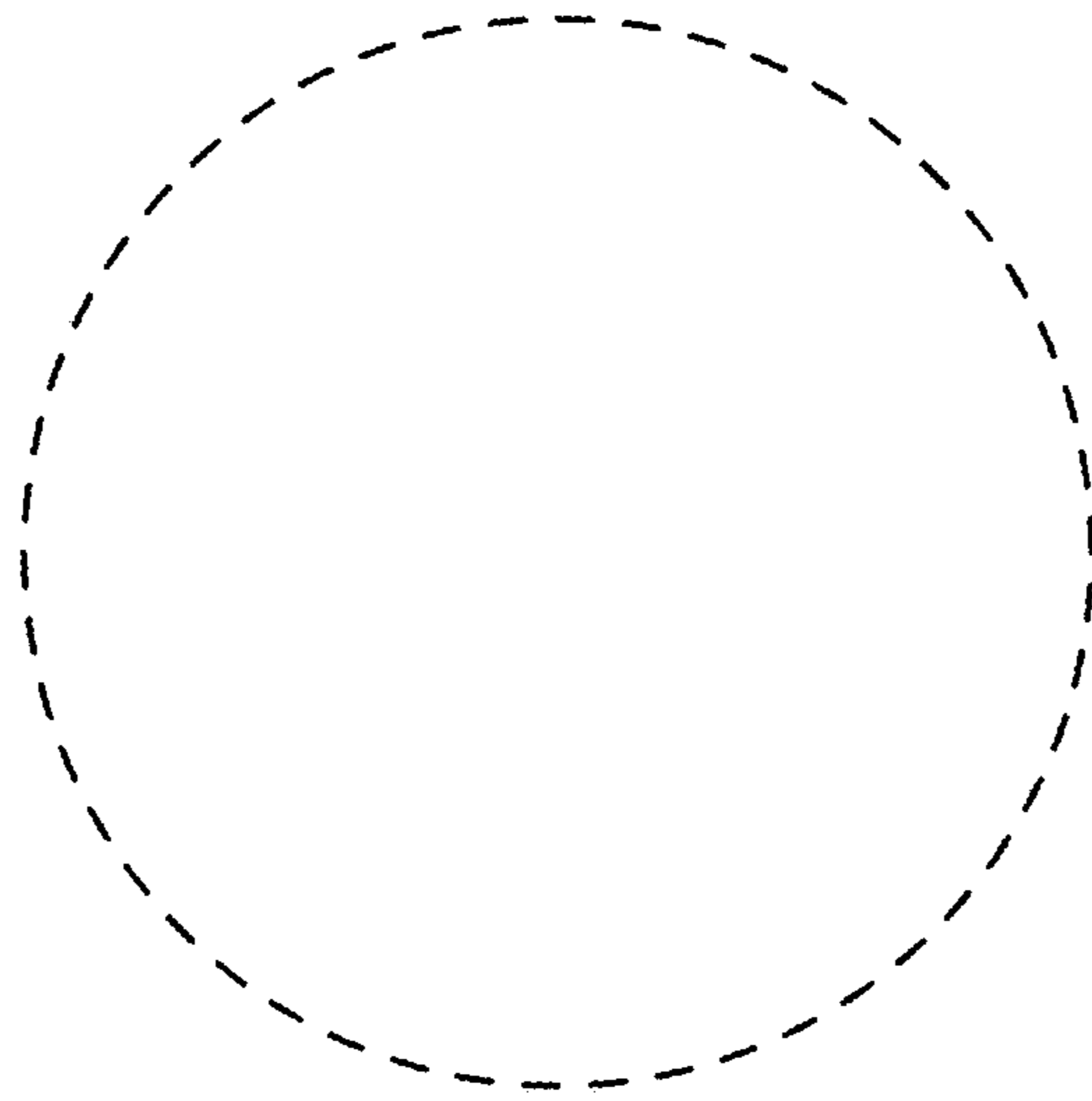


Fig. 6.

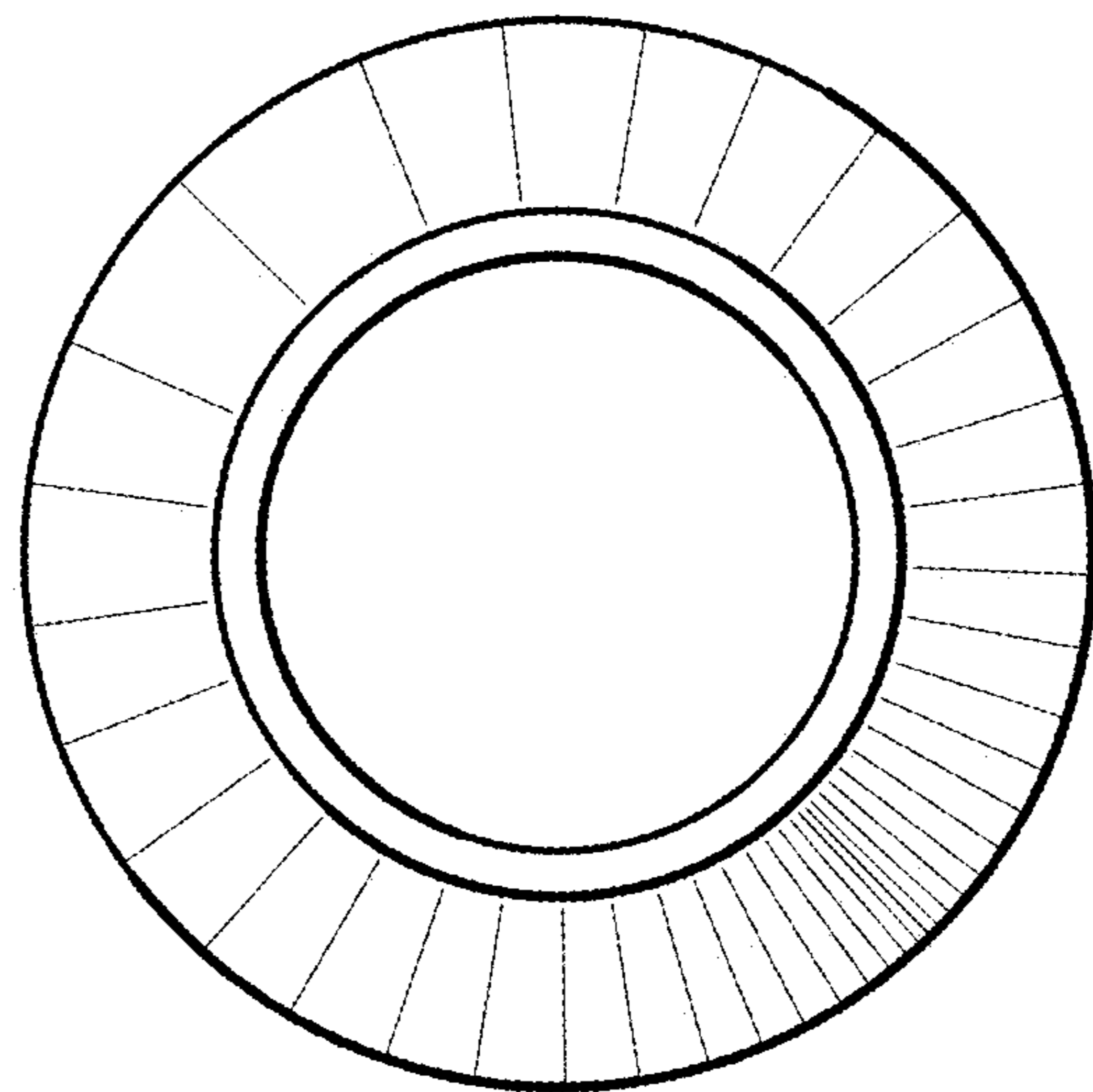


Fig. 7.

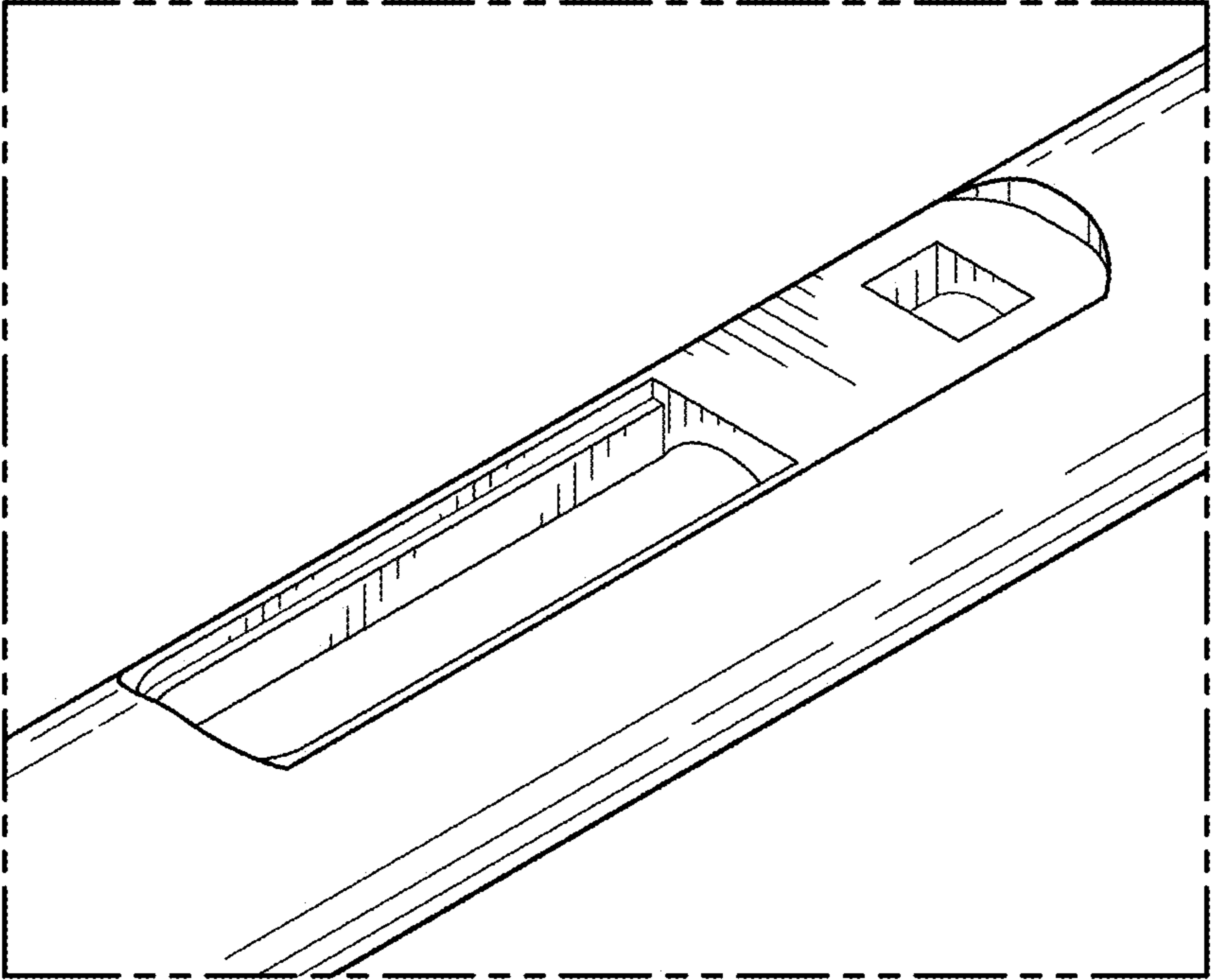


Fig. 8.