



US00D941290S

(12) **United States Design Patent**
Little et al.

(10) **Patent No.:** **US D941,290 S**
(45) **Date of Patent:** **** Jan. 18, 2022**

(54) **COMPUTER**

D631,480 S * 1/2011 Vaughan D14/446
D664,955 S * 8/2012 Kim D14/341
D672,770 S * 12/2012 Shih D14/374

(Continued)

(71) Applicant: **HEWLETT-PACKARD
DEVELOPMENT COMPANY, L.P.,**
Spring, TX (US)

FOREIGN PATENT DOCUMENTS

(72) Inventors: **Joshua G Little**, Palo Alto, CA (US);
Isaac Teece, Darley Dale (GB); **Marcus
Hoggarth**, St Albans (GB)

CN 305904724 * 7/2020
EM 007574793-0001 * 2/2020

(Continued)

(73) Assignee: **Hewlett-Packard Development
Company, L.P.**, Spring, TX (US)

OTHER PUBLICATIONS

(**) Term: **15 Years**

EliteDisplay HD Monitor, HP, cnet.com, published by Dan Ackerman on Jan. 6, 2019 © 2020 Cnet, online, site visited Nov. 20, 2020. Available from Internet, URL: <https://www.cnet.com/news/hp-expands-sure-view-to-make-sure-people-cant-view-your-screen/> (Year: 2019).*

(Continued)

(21) Appl. No.: **29/700,247**

(22) Filed: **Jul. 31, 2019**

(51) **LOC (13) Cl.** **14-02**

(52) **U.S. Cl.**
USPC **D14/374**

(58) **Field of Classification Search**
USPC D14/300, 305-307, 314, 336, 373,
D14/375-376, 448, 450-451, 900-902,
D14/126-127, 371, 203.8, 209.1, 302,
D14/374; 40/406, 427; D20/39, 41-42;
345/1.1, 1.3; 211/180, 207; 248/122.1,
248/124.1, 220.21

CPC ... E04H 1/1227; E04H 1/1272; E04H 1/1222;
G09F 13/00; G09F 9/00; G09F 9/3023;
G09F 9/3026; G09F 15/00; G06F 1/20;
G06F 1/1601

See application file for complete search history.

Primary Examiner — Lakiya G Rogers
Assistant Examiner — Altaira J Swangin

(74) *Attorney, Agent, or Firm* — Dicke Billig & Czaja
PLLC

(57) **CLAIM**

The ornamental design for a computer, substantially as shown and described.

DESCRIPTION

FIG. 1 is a top, front perspective view of a computer;
FIG. 2 is a bottom, front perspective view thereof;
FIG. 3 is another top, front perspective view thereof;
FIG. 4 is a front view thereof;
FIG. 5 is a rear view thereof;
FIG. 6 is a side view thereof;
FIG. 7 is another side view thereof;
FIG. 8 is a top view thereof; and,
FIG. 9 is a bottom view thereof.

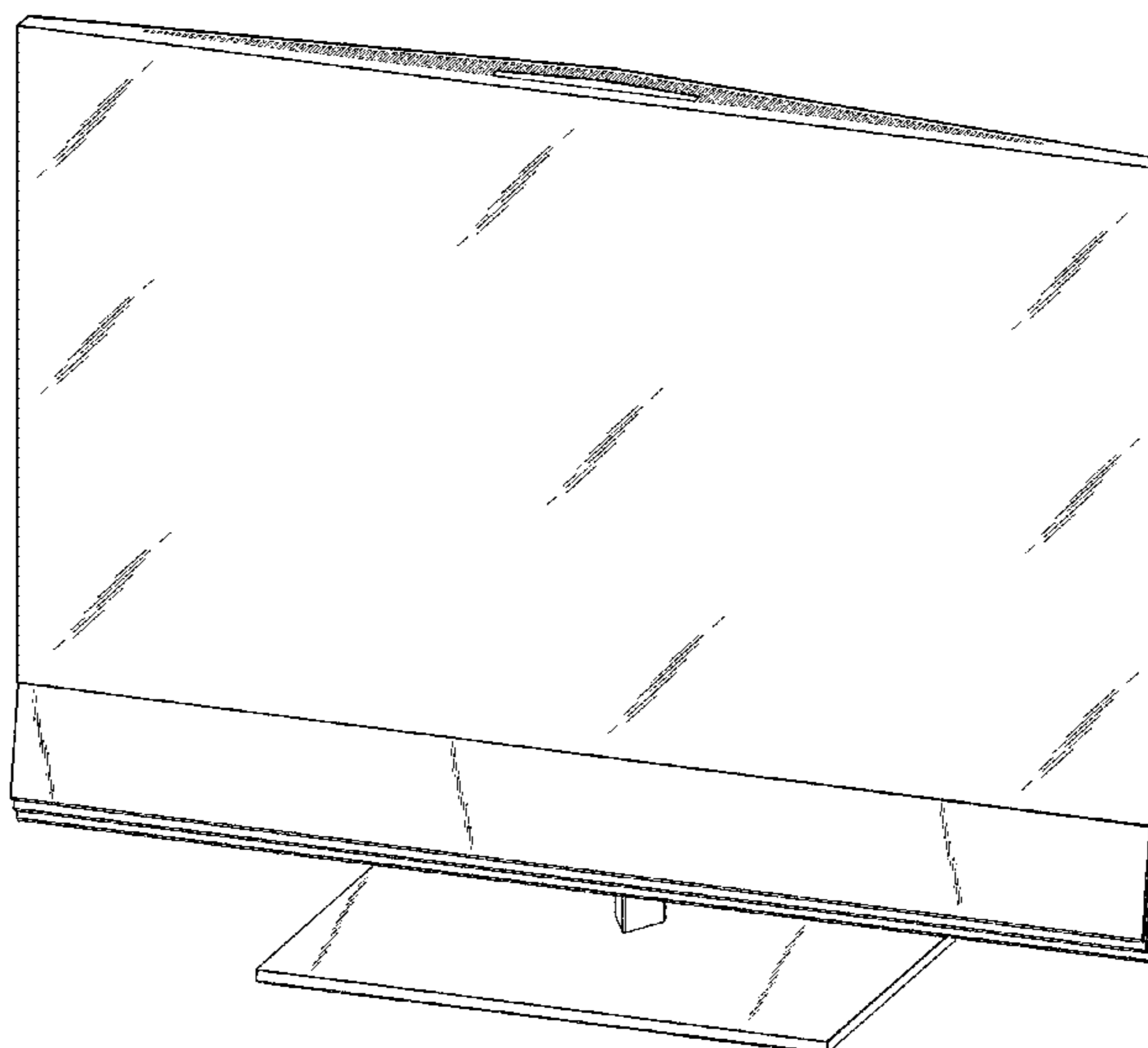
The broken lines, showing portions of the computer, form no part of the claimed design.

1 Claim, 7 Drawing Sheets

(56) **References Cited**

U.S. PATENT DOCUMENTS

D474,453 S * 5/2003 Kanatani D14/126
D510,730 S * 10/2005 Asanuma D14/126
D532,759 S * 11/2006 Park D14/126
D605,193 S * 12/2009 Andre D14/336
D629,807 S * 12/2010 Vaughan D14/446



(56)

References Cited

U.S. PATENT DOCUMENTS

D712,397 S * 9/2014 Akana D14/336
 D726,717 S * 4/2015 Lee D14/371
 D791,131 S * 7/2017 Oh D14/374
 D791,763 S * 7/2017 Akana D14/336
 D797,736 S * 9/2017 Chu D14/374
 9,785,185 B2 * 10/2017 Rundle C09J 7/26
 D817,329 S * 5/2018 Chu D14/374
 D821,395 S * 6/2018 Thetard D14/374
 D827,644 S * 9/2018 Kim D14/377
 D836,110 S * 12/2018 Quijano D14/374
 D838,268 S * 1/2019 Little D14/314
 D855,611 S * 8/2019 Thetard D14/336
 D860,218 S * 9/2019 Akana D14/448
 10,514,729 B2 * 12/2019 Quijano G06F 1/1613
 D875,104 S * 2/2020 Tivnon D14/447
 D888,054 S * 6/2020 Tai D14/374
 D903,616 S * 12/2020 Kim D14/129
 D909,368 S * 2/2021 Seo D14/336
 2015/0195604 A1 * 7/2015 Synowiec G06F 1/1601
 361/679.22
 2019/0357368 A1 * 11/2019 Huang F16M 11/14

FOREIGN PATENT DOCUMENTS

EM 007837877-0001 * 5/2020
 JP D1669895 * 10/2020
 KR 300735447.0000 * 3/2013

OTHER PUBLICATIONS

Envy 32 All-in-One PC, HP, amazon.com, published by HP, date first available Jan. 5, 2020 © 1996-2020 Amazon.com, Inc. , online, site visited Dec. 5, 2020. Available from Internet, URL: <https://www.amazon.com/HP-Processor-graphics-32-a0040-6YR48AA/dp/B083GHHTH1?th=1> (Year: 2020).*

Envy 32 All-in-One PC, HP, hp.com, author unlisted, published Aug. 9, 2020 per wayback machine © 2020 HP Development Company, L.P., online, site visited Dec. 5, 2020. Available from Internet, URL: <https://www8.hp.com/sg/en/desktops/envy-32-all-in-one.html> (Year: 2020).*

* cited by examiner

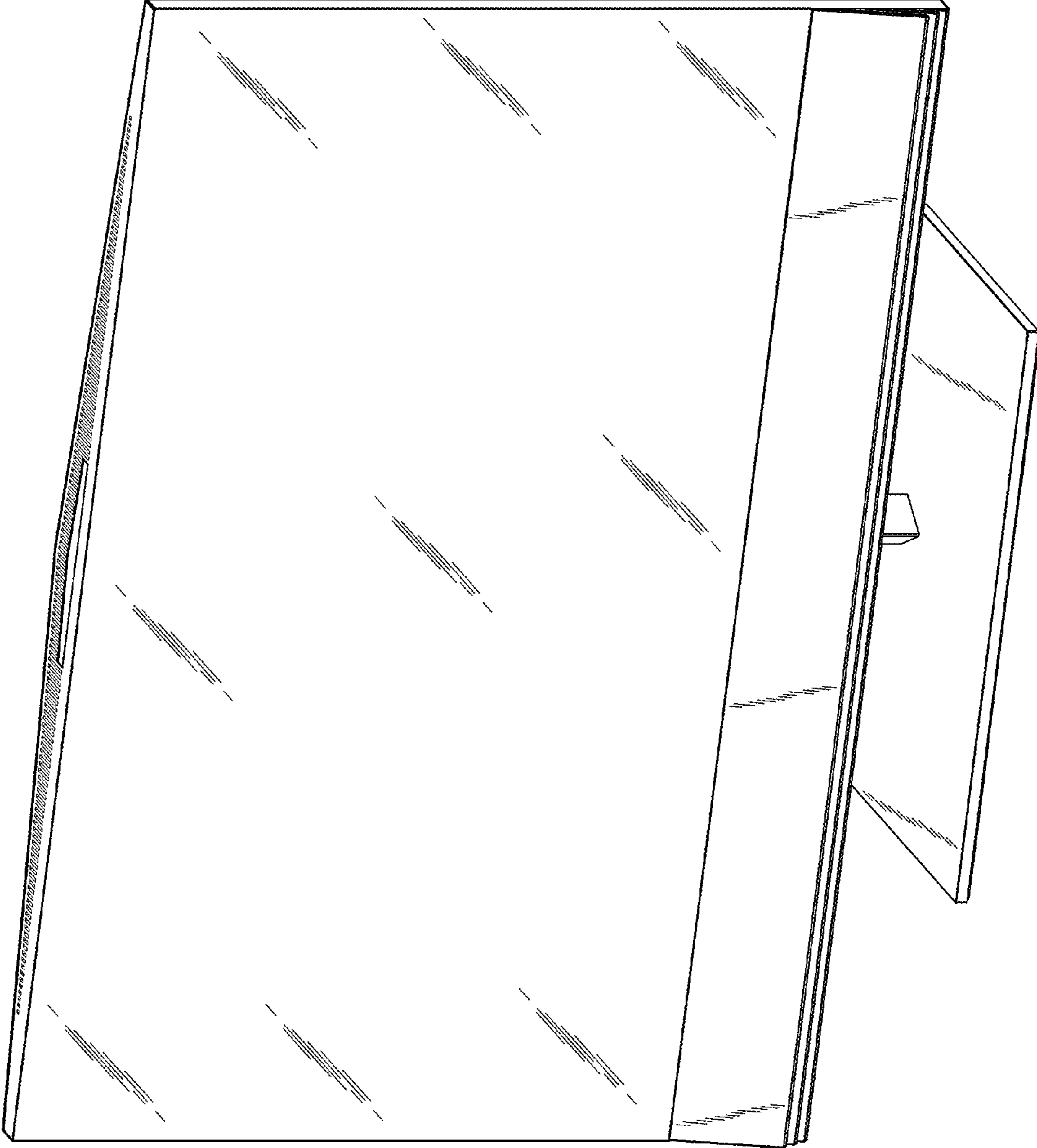


FIG. 1

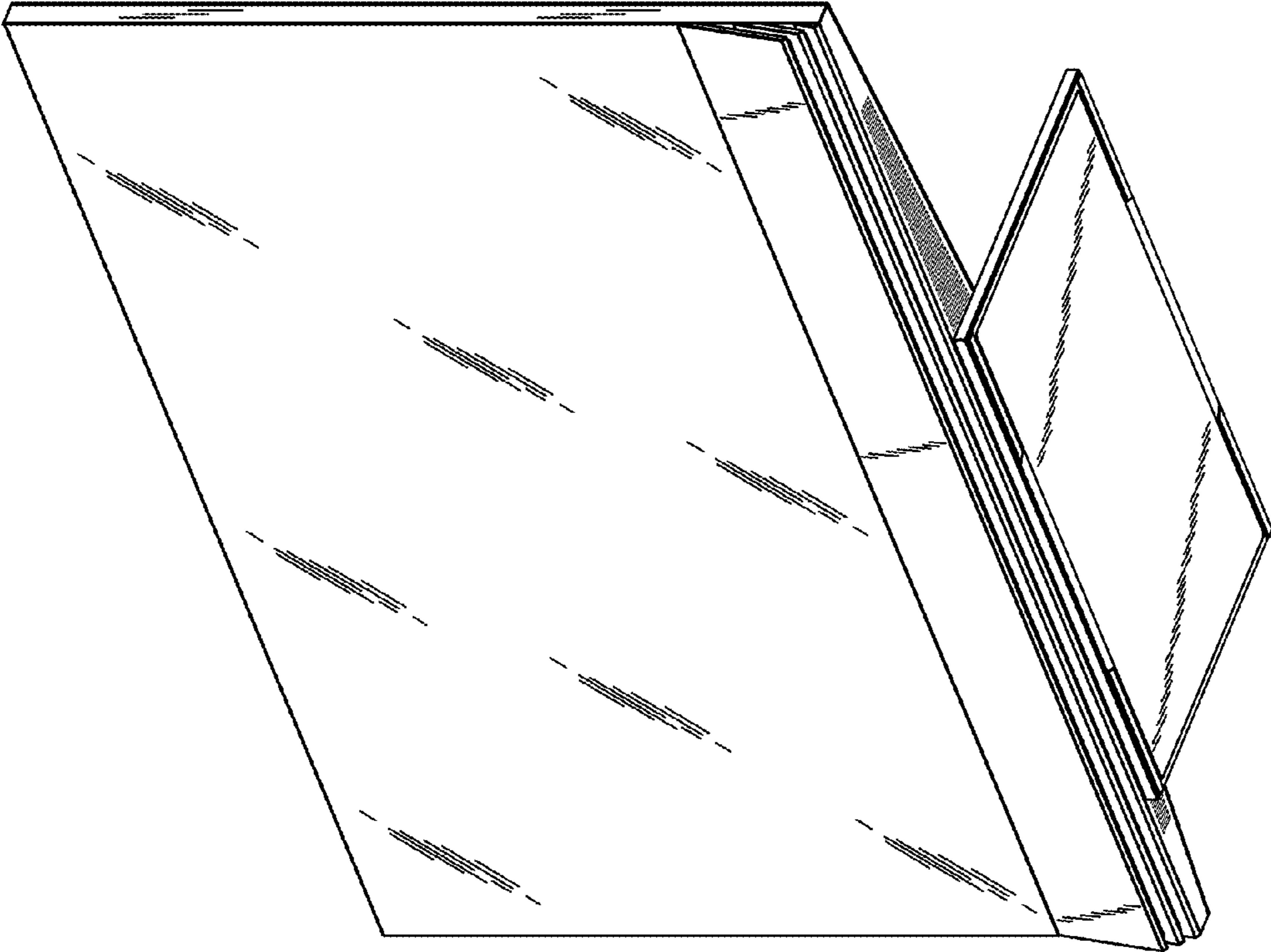


FIG. 2

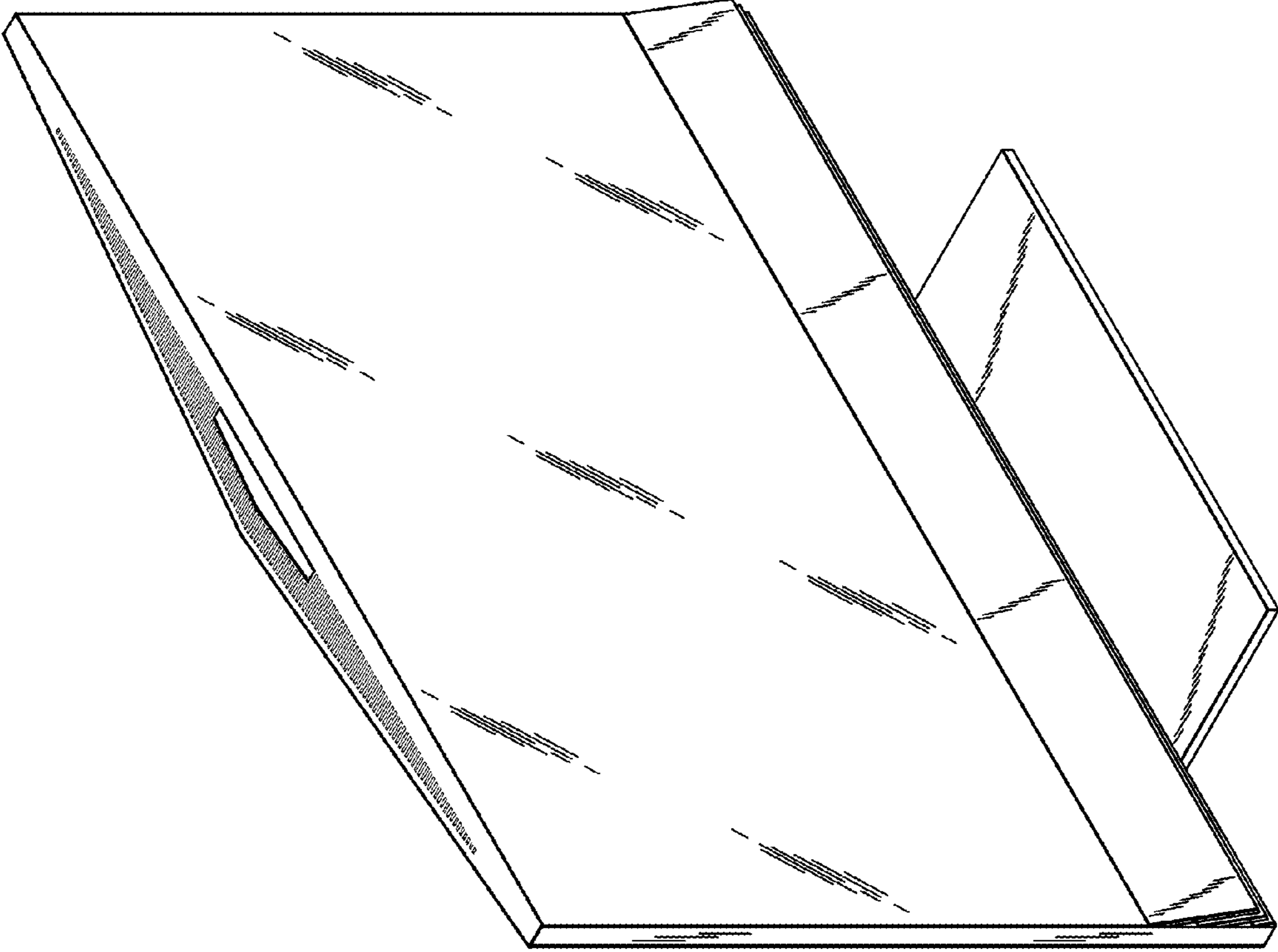


FIG. 3

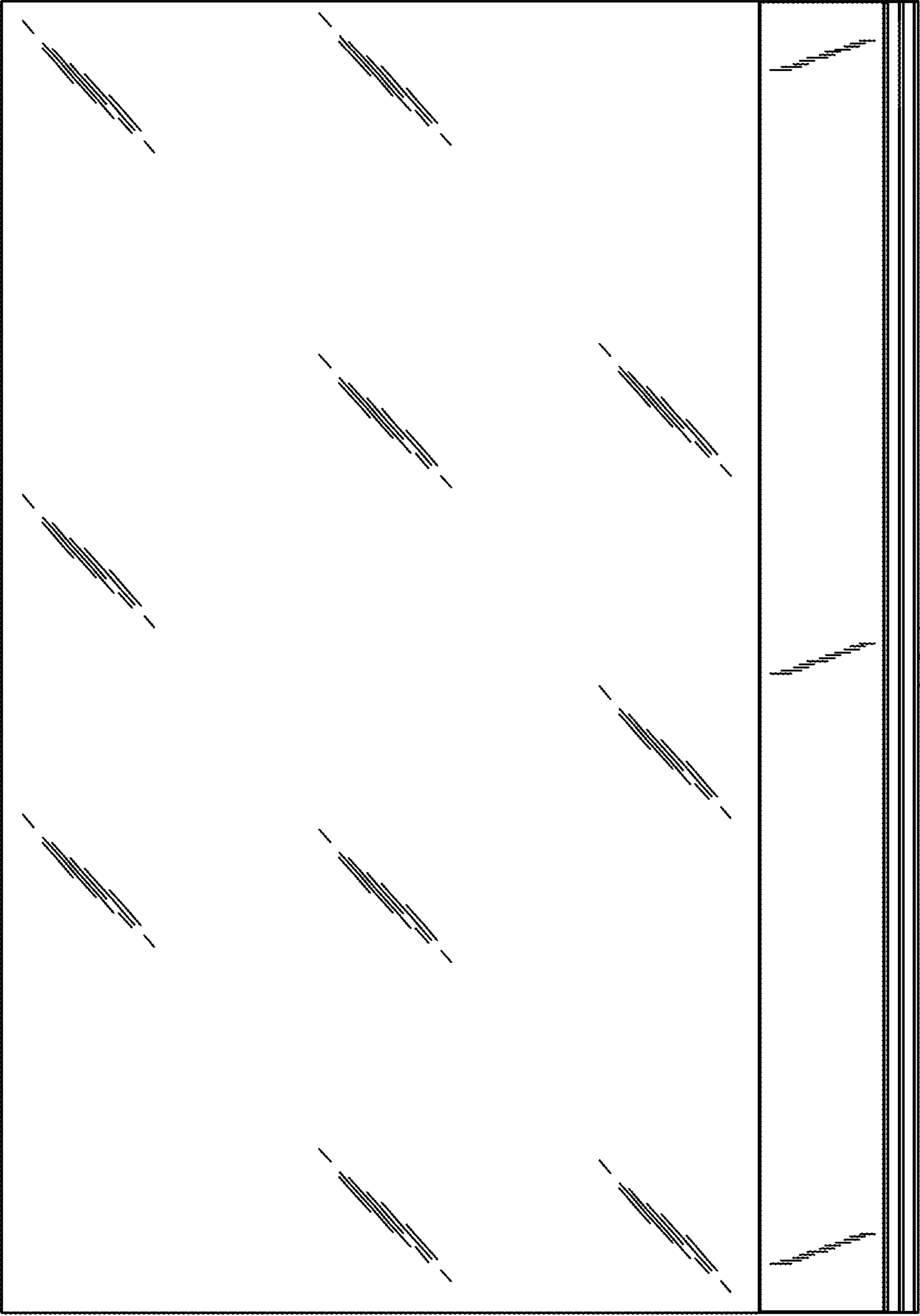


FIG. 4

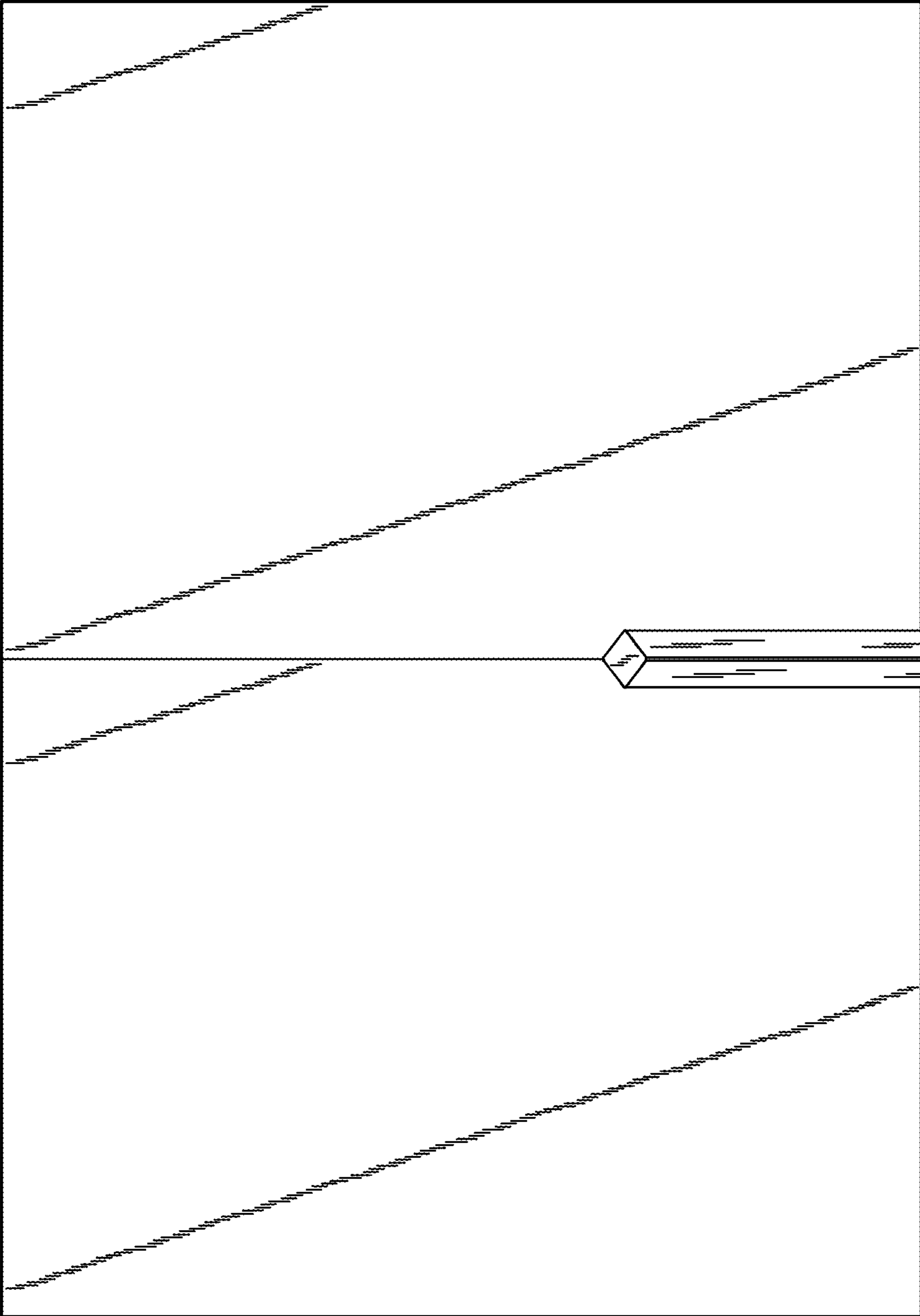


FIG. 5

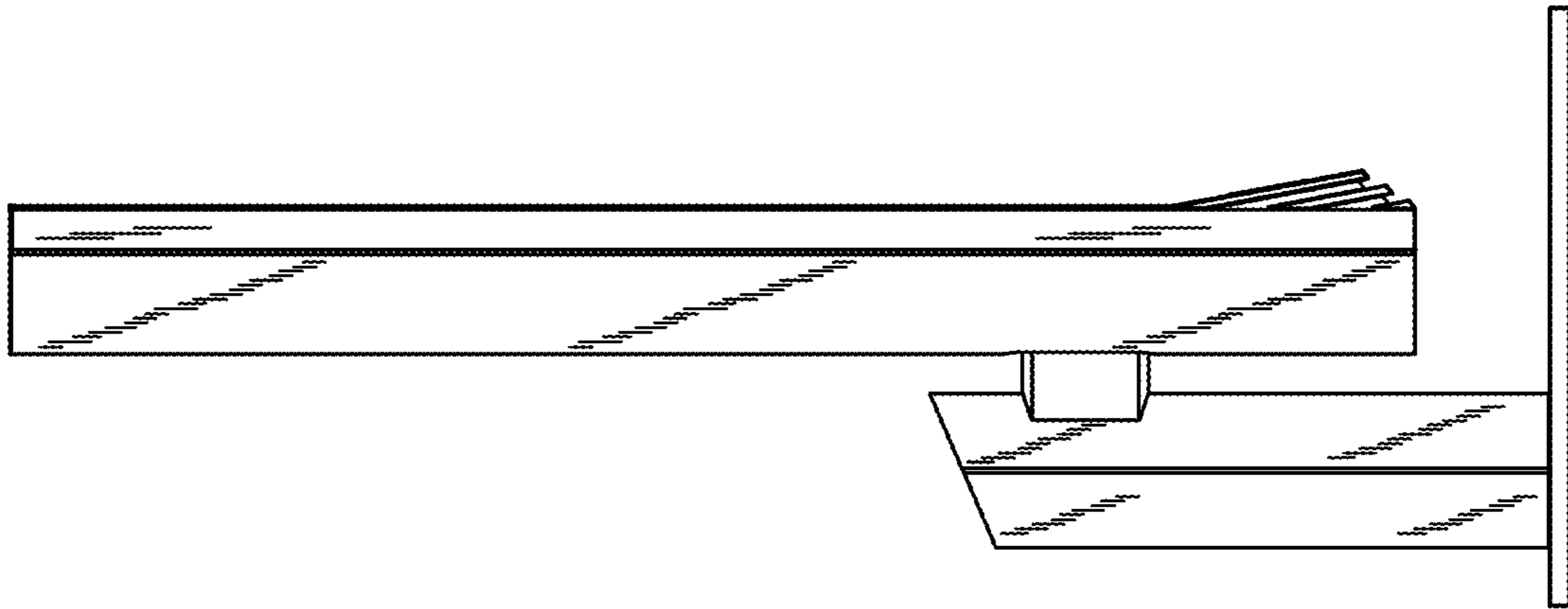


FIG. 7

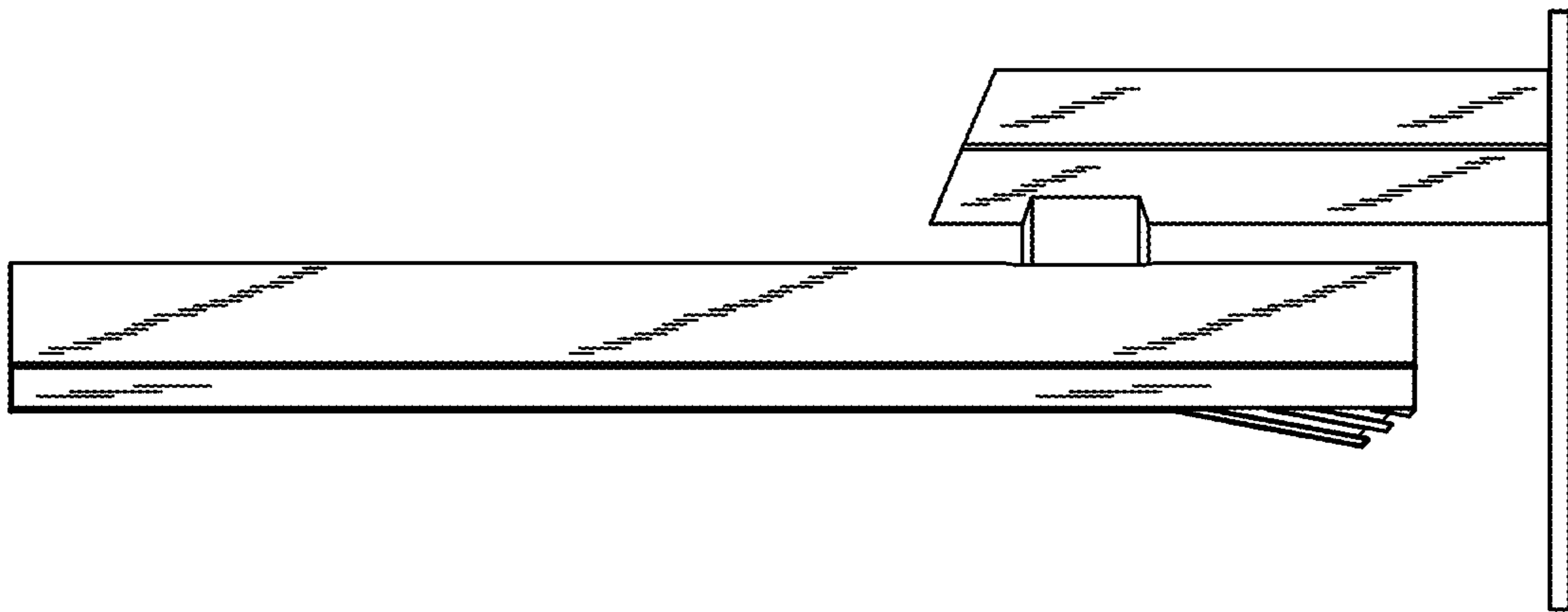


FIG. 6

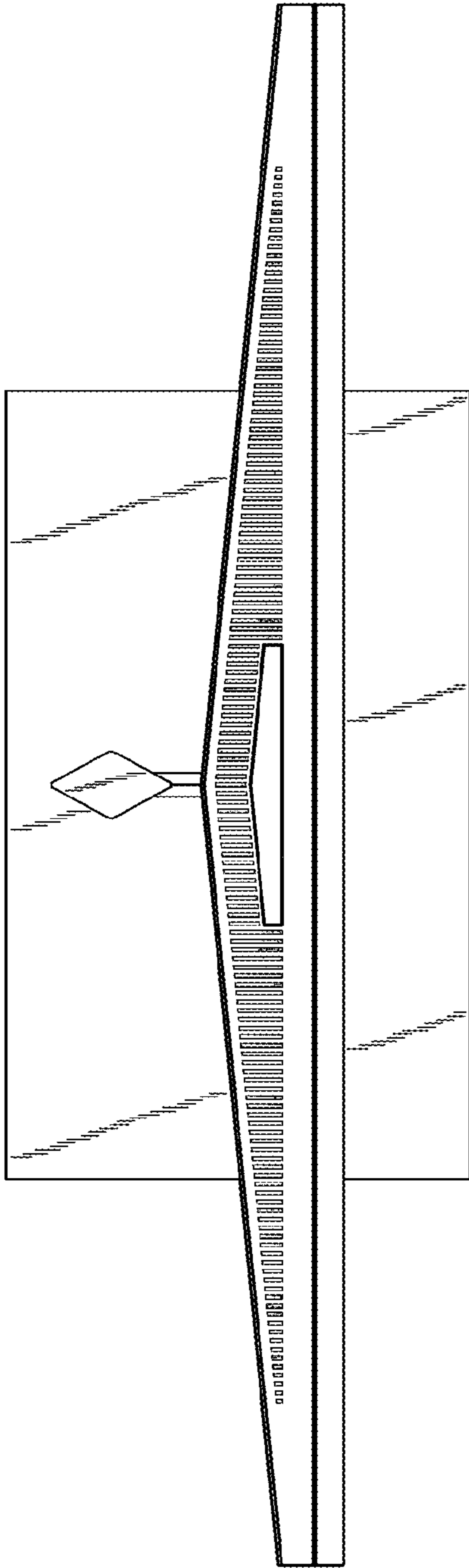


FIG. 8

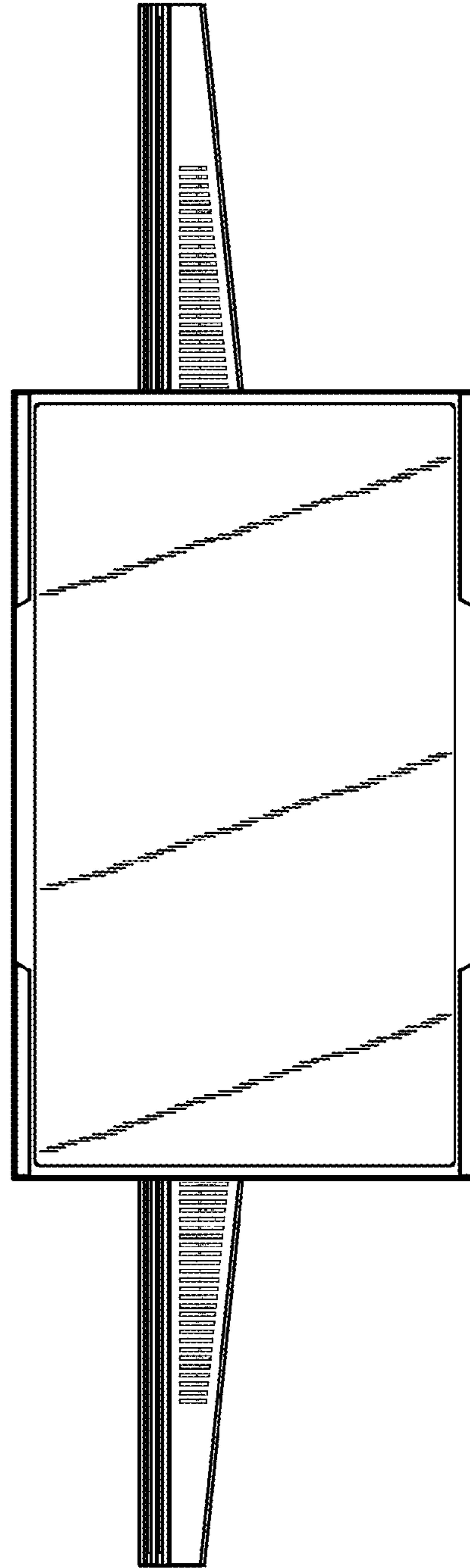


FIG. 9