



US00D941288S

(12) **United States Design Patent**
Bhat et al.

(10) **Patent No.:** **US D941,288 S**
(45) **Date of Patent:** **** Jan. 18, 2022**

(54) **COMPUTER**

(71) Applicant: **HEWLETT-PACKARD DEVELOPMENT COMPANY, L.P.**,
Spring, TX (US)

(72) Inventors: **Siddhartha Bhat**, Palo Alto, CA (US);
Henry Ken Chu, Palo Alto, CA (US);
Daniel Young Yoon, Palo Alto, CA (US);
Glenn A. Wong, Palo Alto, CA (US);
John William Pennington, Jr., Palo Alto, CA (US)

(73) Assignee: **Hewlett-Packard Development Company, L.P.**, Spring, TX (US)

(**) Term: **15 Years**

(21) Appl. No.: **29/745,682**

(22) Filed: **Aug. 7, 2020**

(51) **LOC (13) Cl.** **14-02**

(52) **U.S. Cl.**
USPC **D14/336**

(58) **Field of Classification Search**
USPC D14/336, 337, 373, 374, 375, 376, 377,
D14/125, 128, 129, 126, 127, 371, 372,
D14/341

(Continued)

(56) **References Cited**

U.S. PATENT DOCUMENTS

D586,566 S * 2/2009 Ko D6/312
D588,186 S * 3/2009 Yamakawa D18/4.5

(Continued)

FOREIGN PATENT DOCUMENTS

JP D1490393 * 2/2014

OTHER PUBLICATIONS

Youtube. Link: <https://www.youtube.com/watch?v=LAKmFo7IXRc>.
Jan. 20, 2021. 5 New All in One PC in 2021 | Best AIO Pc; Lenovo Yoga AIO 7. (Year: 2021).*

(Continued)

Primary Examiner — Lauren D McVey

(74) *Attorney, Agent, or Firm* — Perry + Currier Inc

(57) **CLAIM**

The ornamental design for a computer, as shown and described.

DESCRIPTION

FIG. 1 is a top perspective view of a computer according to the design, showing the display in a landscape orientation. FIG. 2 is a bottom rear perspective view of the computer shown in FIG. 1.

FIG. 3 is a left-side view of the computer shown in FIG. 1. FIG. 4 is a front view of the computer shown in FIG. 1.

FIG. 5 is a right-side view of the computer shown in FIG. 1.

FIG. 6 is a rear view of the computer shown in FIG. 1.

FIG. 7 is a top view of the computer shown in FIG. 1.

FIG. 8 is a bottom view of the computer shown in FIG. 1.

FIG. 9 is a top perspective view of the example computer of FIG. 1, showing the display in a portrait orientation.

FIG. 10 is a bottom rear perspective view of the computer shown in FIG. 9.

FIG. 11 is a left-side view of the computer shown in FIG. 9.

FIG. 12 is a front view of the computer shown in FIG. 9.

FIG. 13 is a right-side view of the computer shown in FIG. 9.

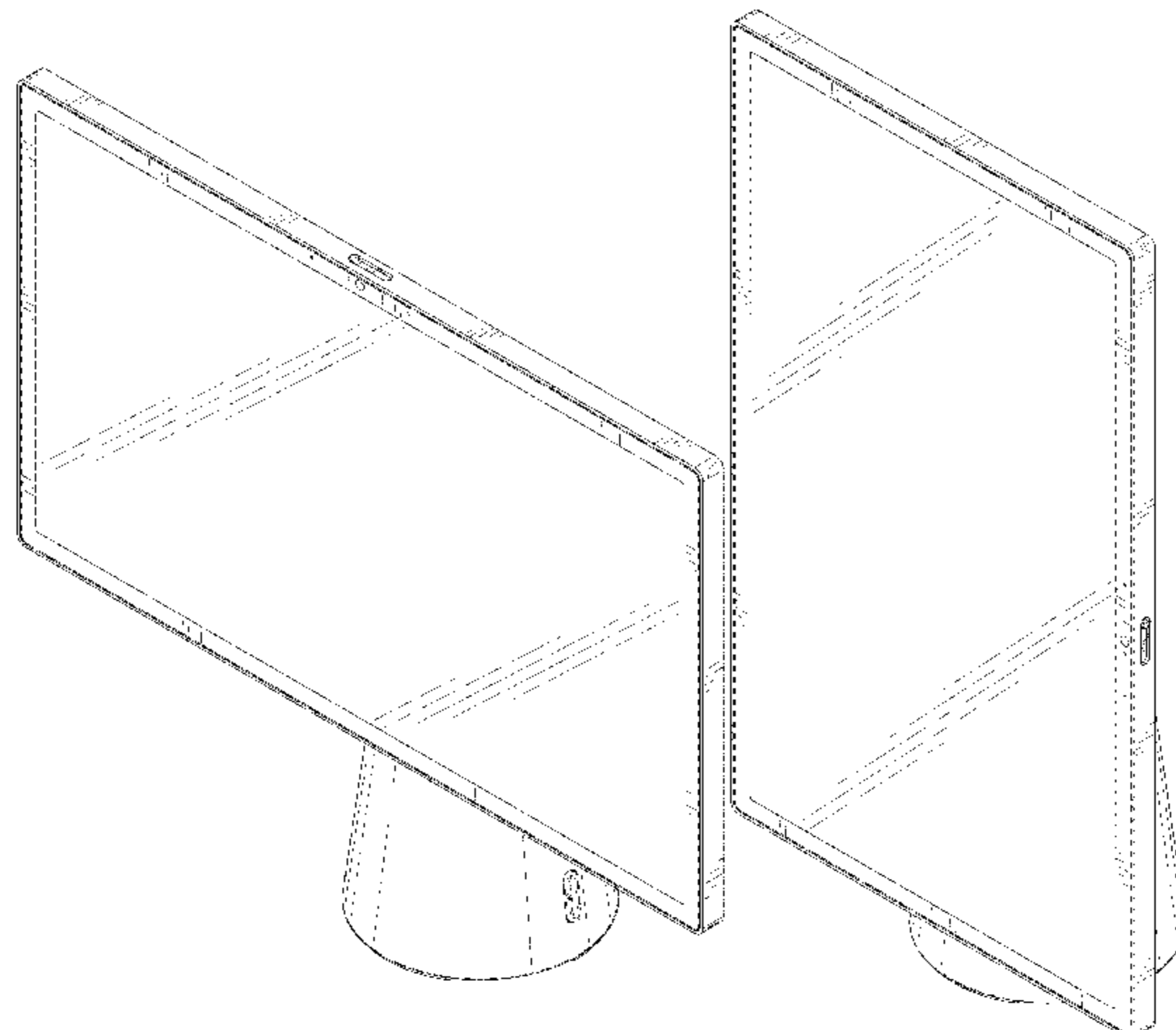
FIG. 14 is a rear view of the computer shown in FIG. 9.

FIG. 15 is a top view of the computer shown in FIG. 9; and,

FIG. 16 is a bottom view of the computer shown in FIG. 9.

This design relates to a computer. The computer includes a frustoconical housing to contain processing and memory components, and a display that may be rotated between landscape and portrait orientations. The broken lines immediately adjacent to the claim depict the bounds of the claimed design, while all other broken lines are directed to environment. The broken lines form no part of the claimed design.

1 Claim, 14 Drawing Sheets



(58) **Field of Classification Search**

CPC G06F 1/1601; G06F 1/1605; G06F 1/162
See application file for complete search history.

(56) **References Cited**

U.S. PATENT DOCUMENTS

D647,898	S	*	11/2011	Haller	D14/336
D831,072	S	*	10/2018	Becke	D14/496
D831,640	S	*	10/2018	Tivnon	D14/314
D860,213	S	*	9/2019	Sheng	D14/447
D860,964	S	*	9/2019	Hou	D14/129
D877,106	S	*	3/2020	Peng	D14/126
D881,883	S	*	4/2020	Germe	D14/375
D882,570	S	*	4/2020	Germe	D14/375
D883,373	S	*	5/2020	Sorio	D18/4.4
D912,663	S	*	3/2021	Cebe	D14/336
2020/0409410	A1	*	12/2020	Kawaguchi	H04R 5/02

OTHER PUBLICATIONS

BUYDIG. Link: <https://www.buydig.com/shop/product/ASM5401WUADS503/Asus-Zen-AiO-24-238-FHD-All-In-One-PC-Computer-with-AMD-Ryzen-5-M5401WUA-DS503>. visited 09/02/2021. Asus Zen AiO All-In-One PC (M5401WUA-DS503). (Year: 2021).*

* cited by examiner

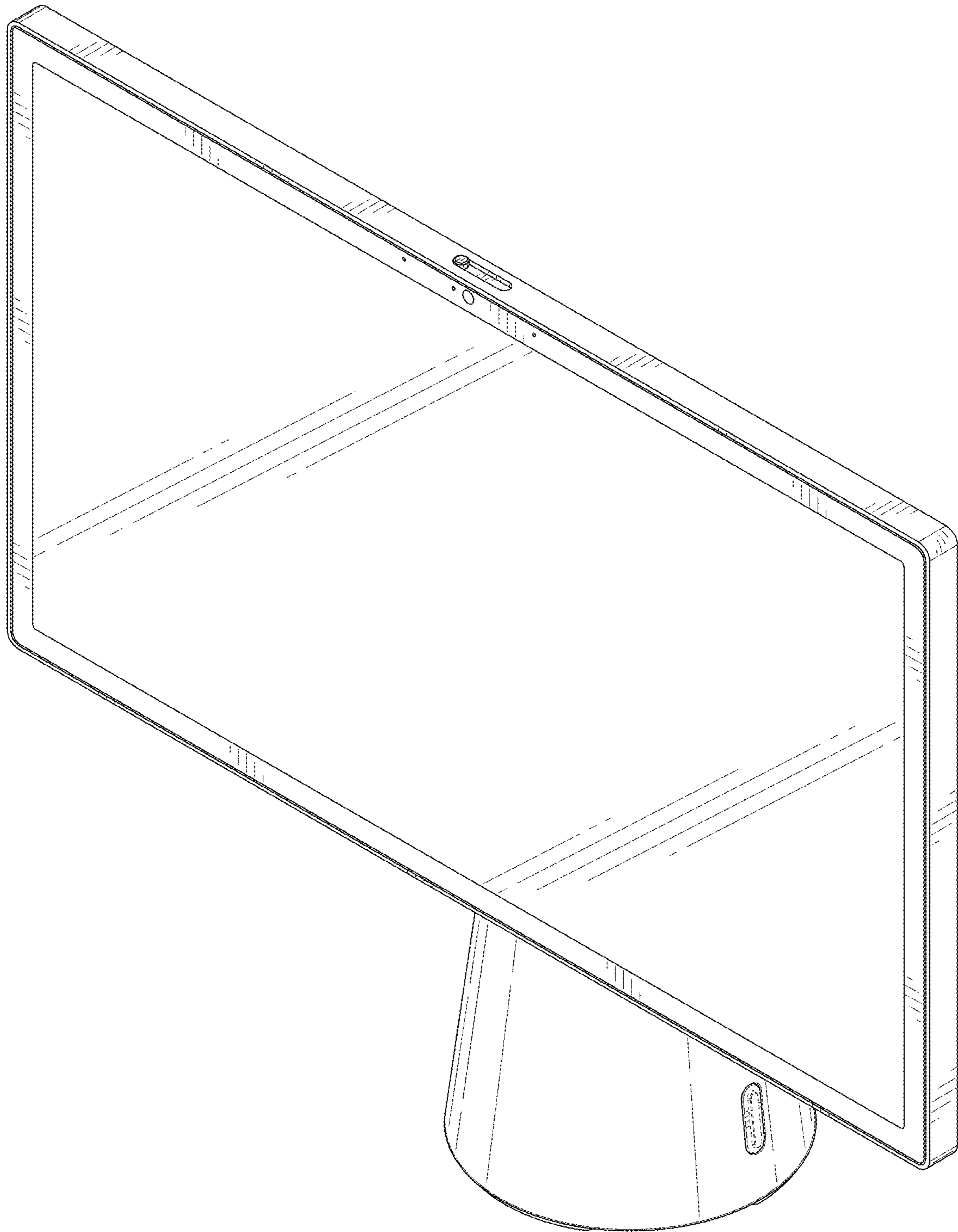


FIG. 1

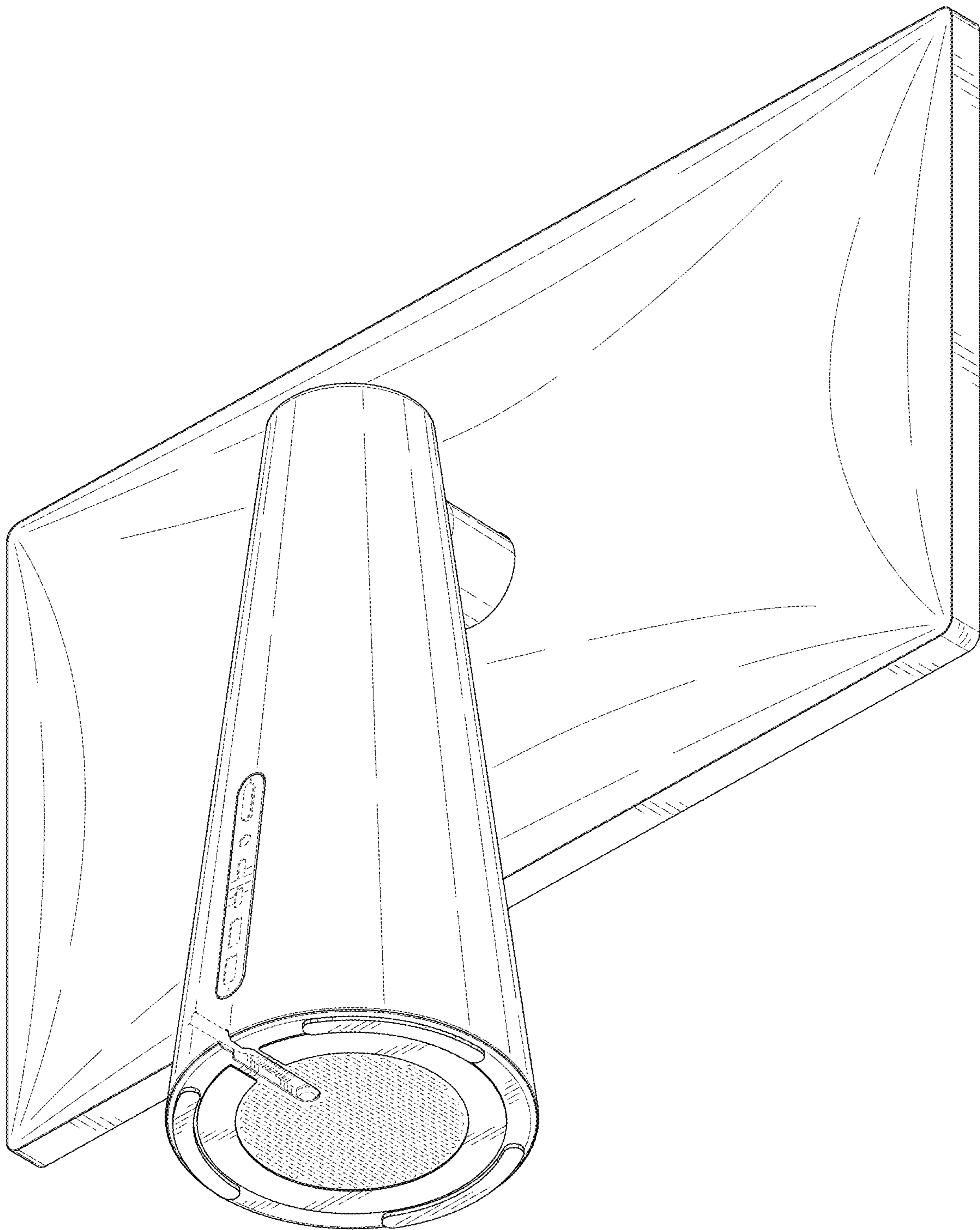


FIG. 2

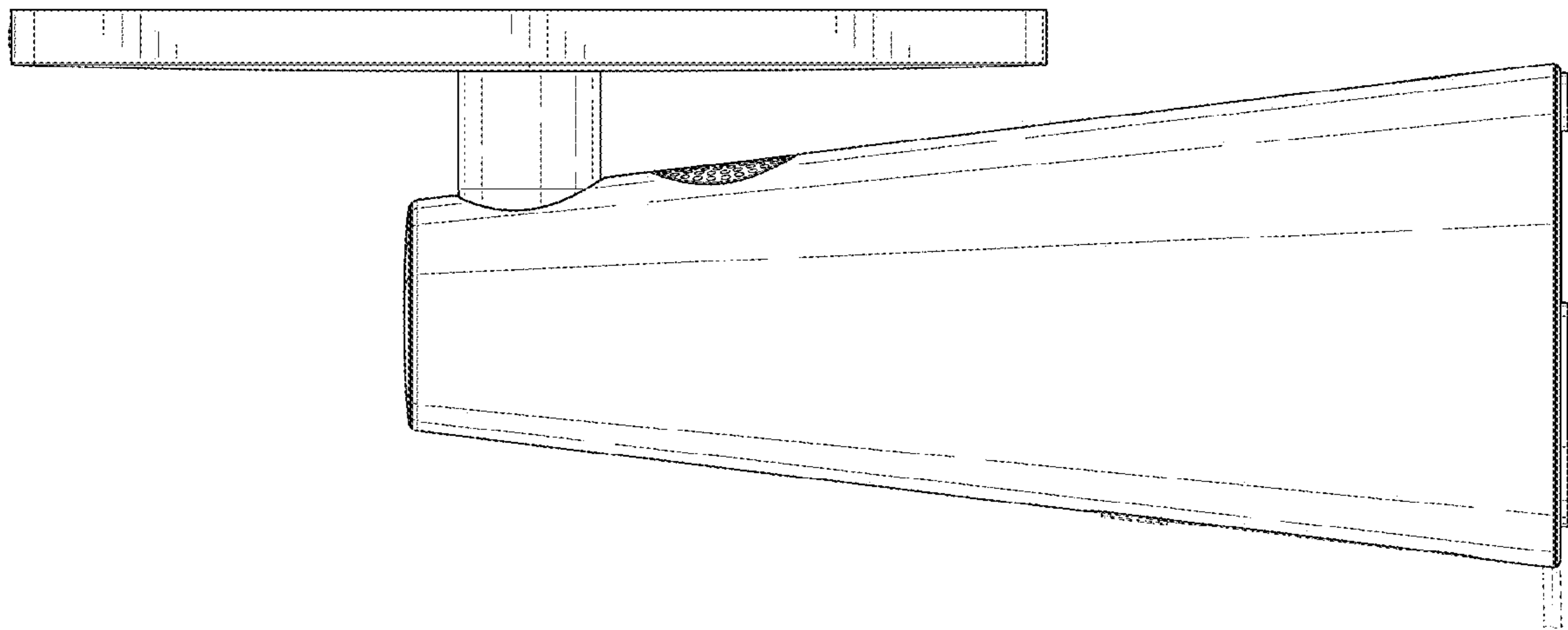


FIG. 3

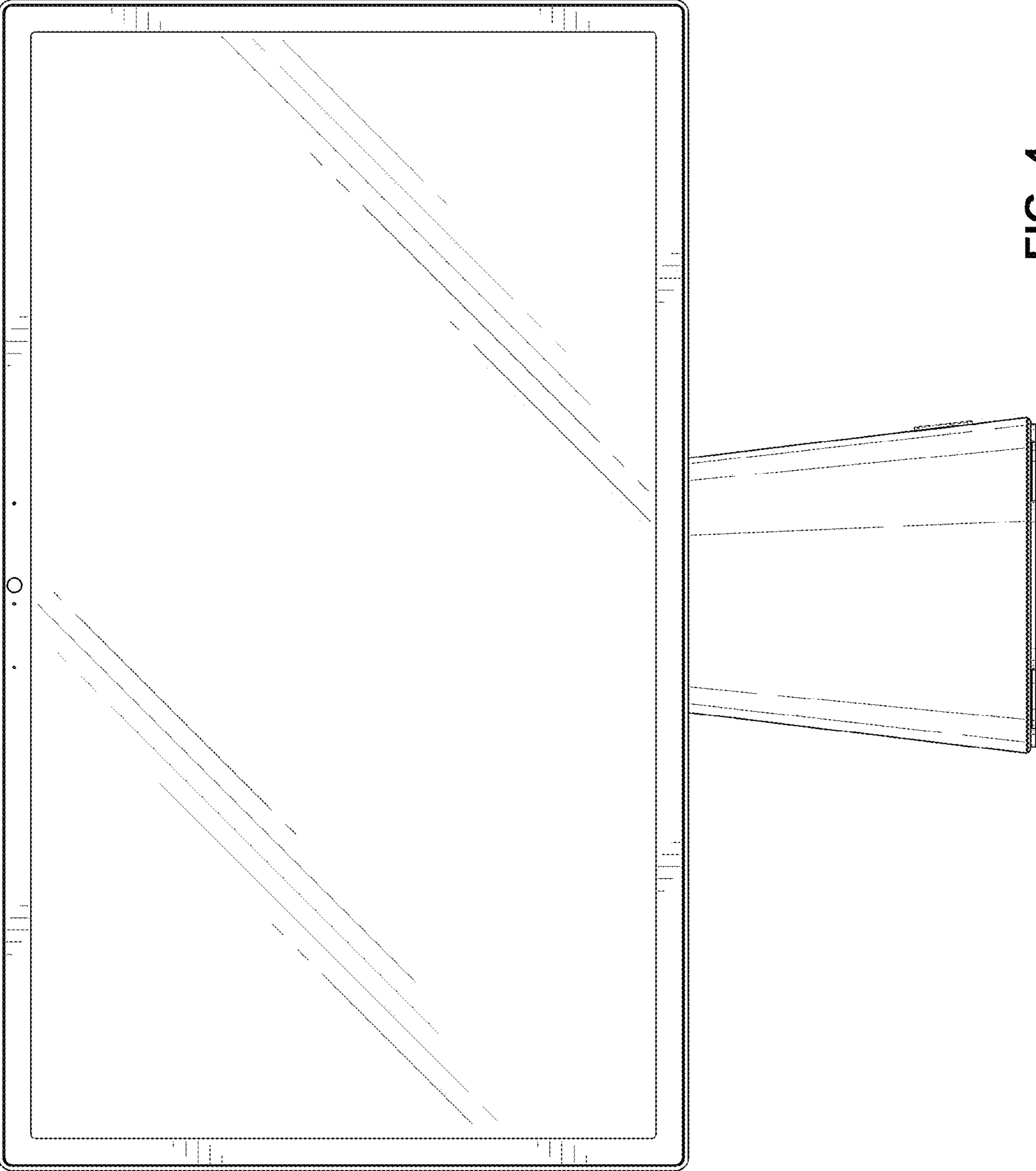


FIG. 4

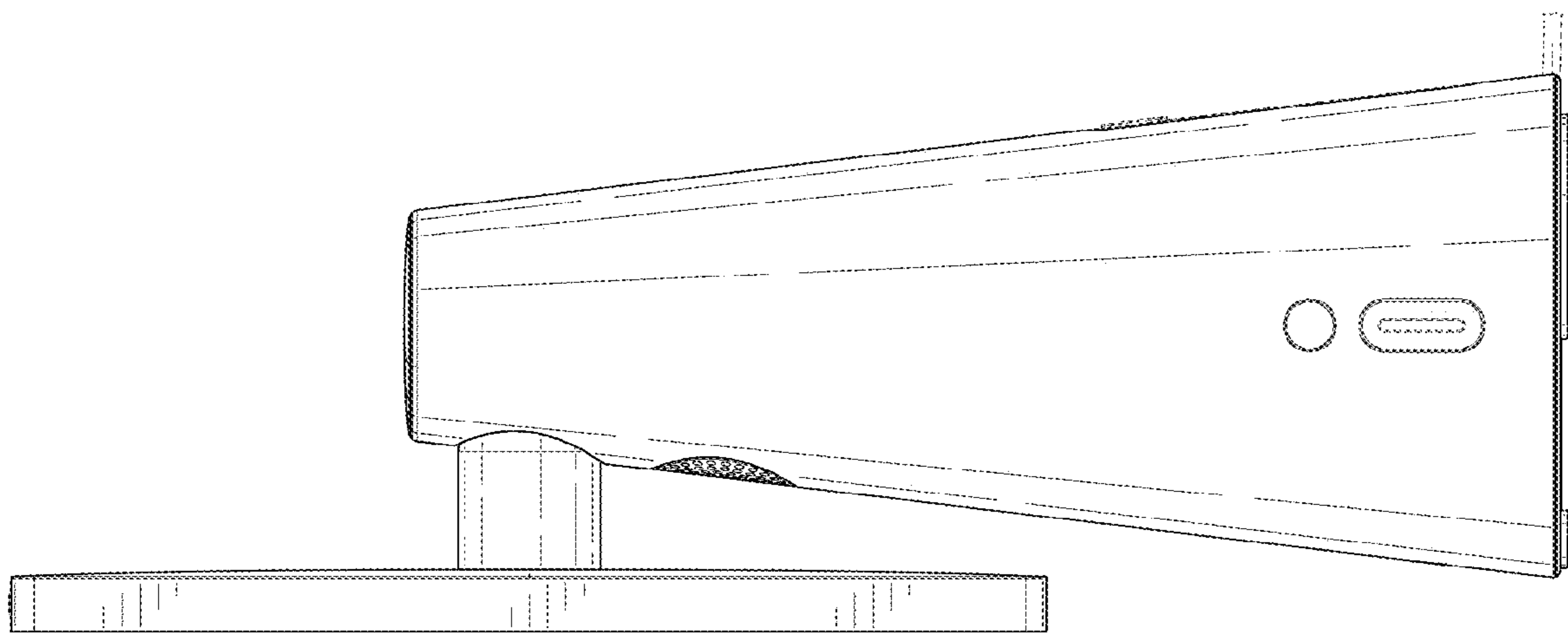


FIG. 5

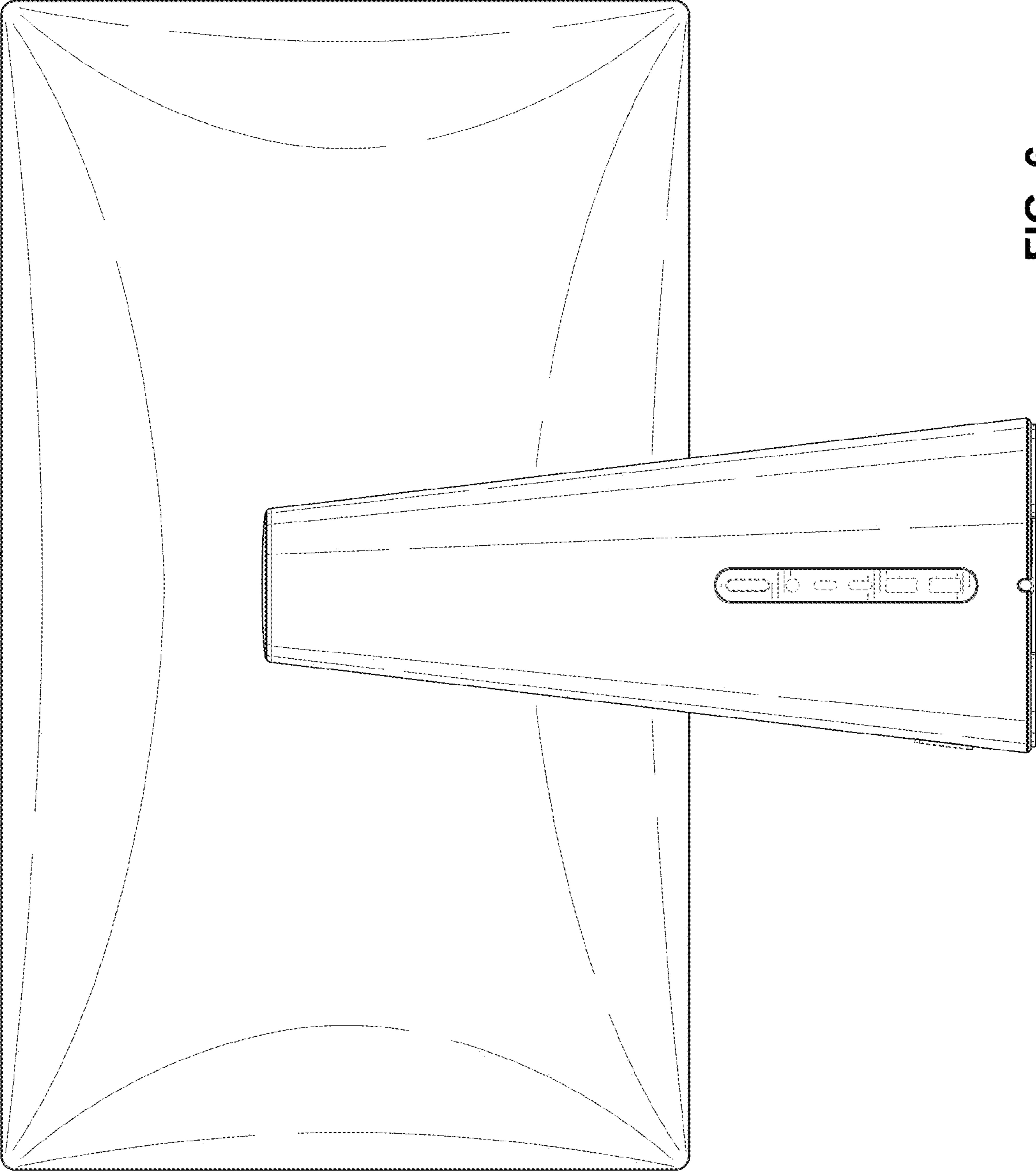


FIG. 6

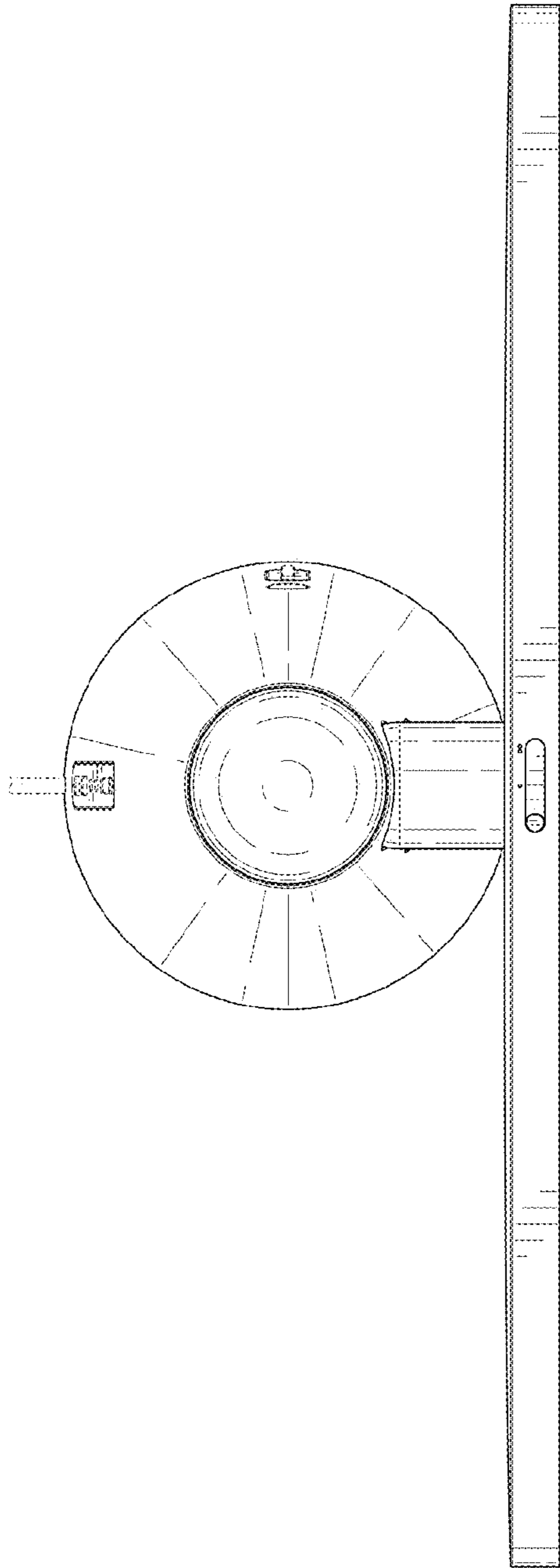


FIG. 7

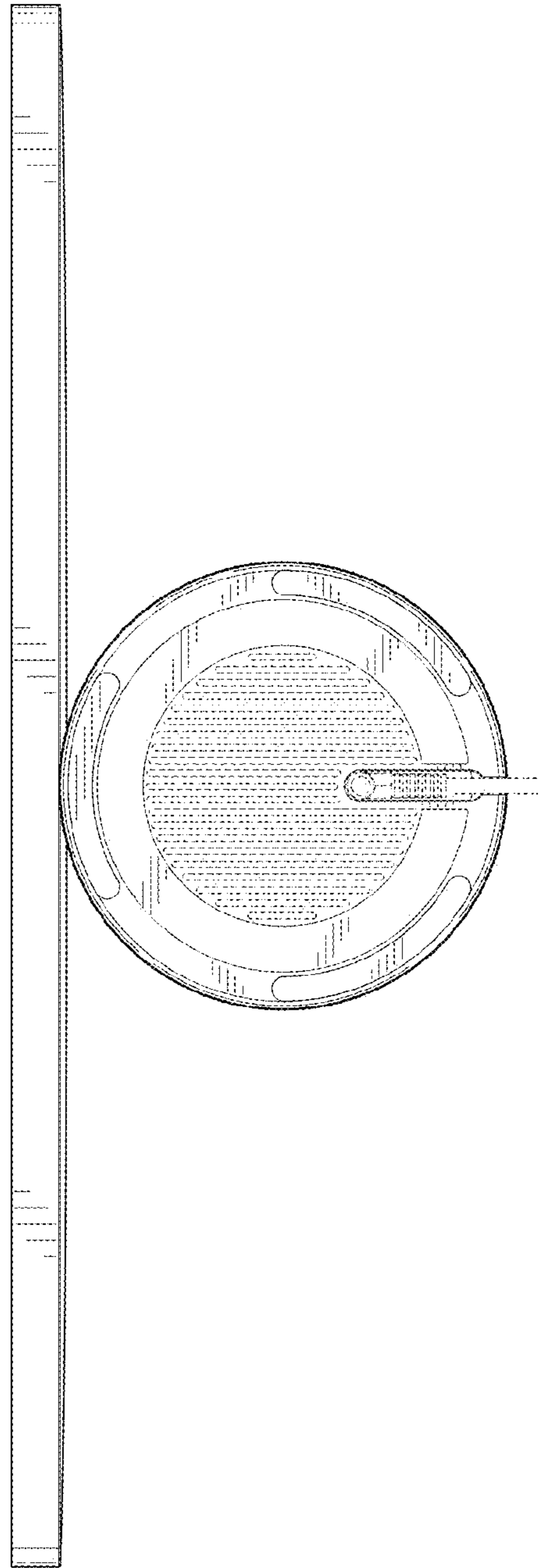


FIG. 8

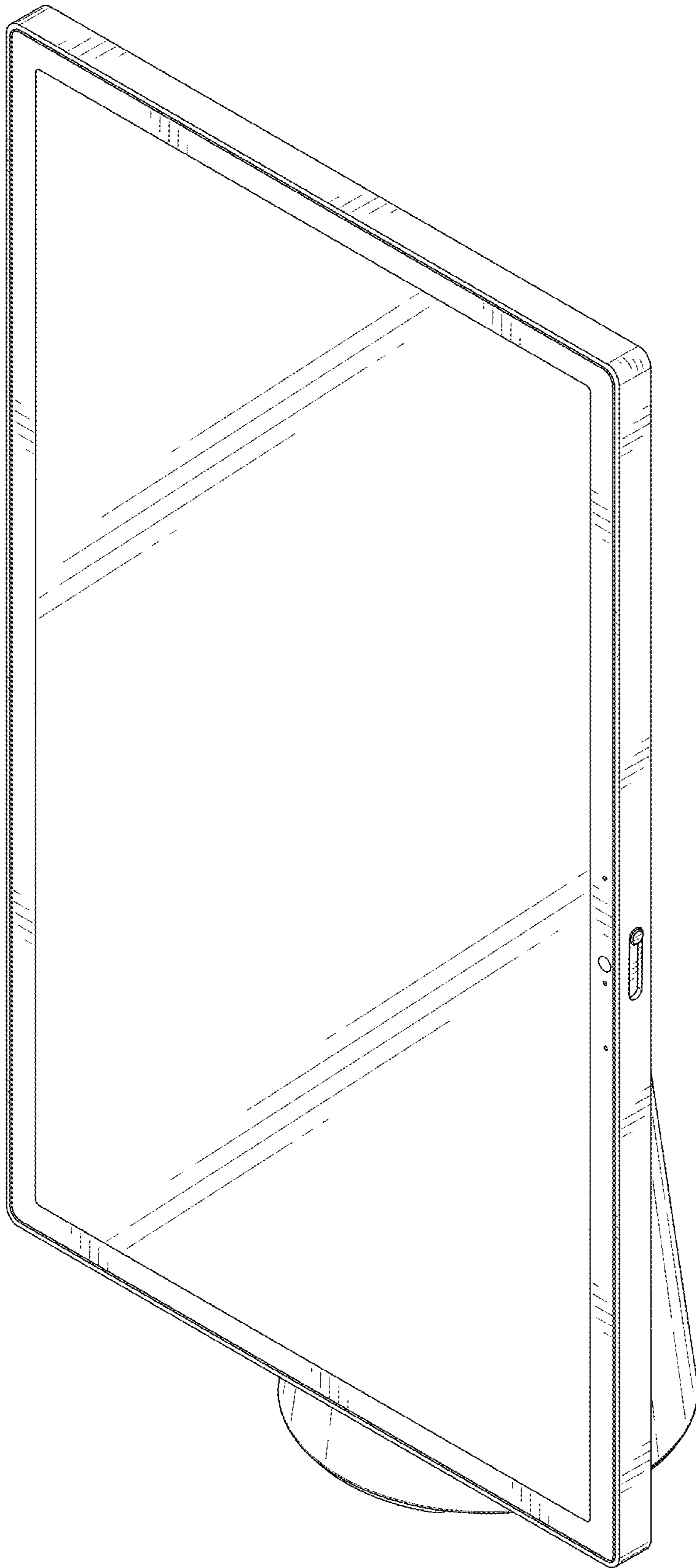


FIG. 9

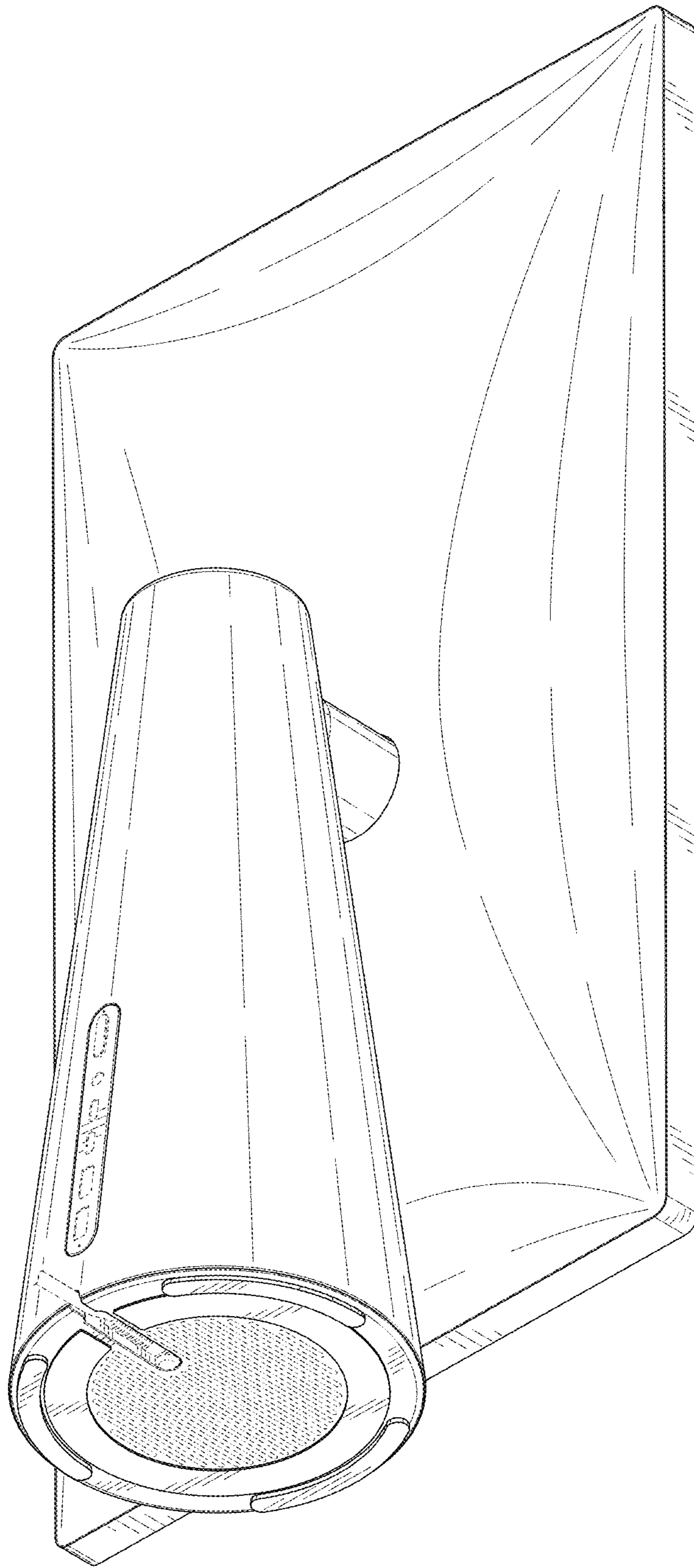


FIG. 10

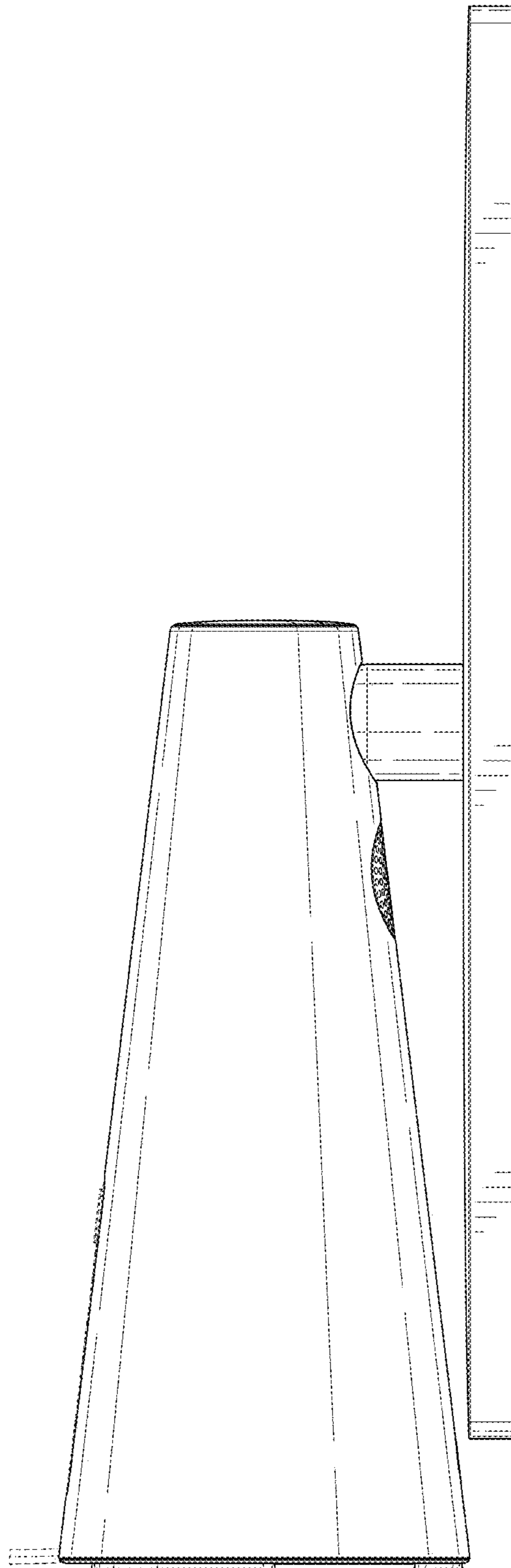


FIG. 11

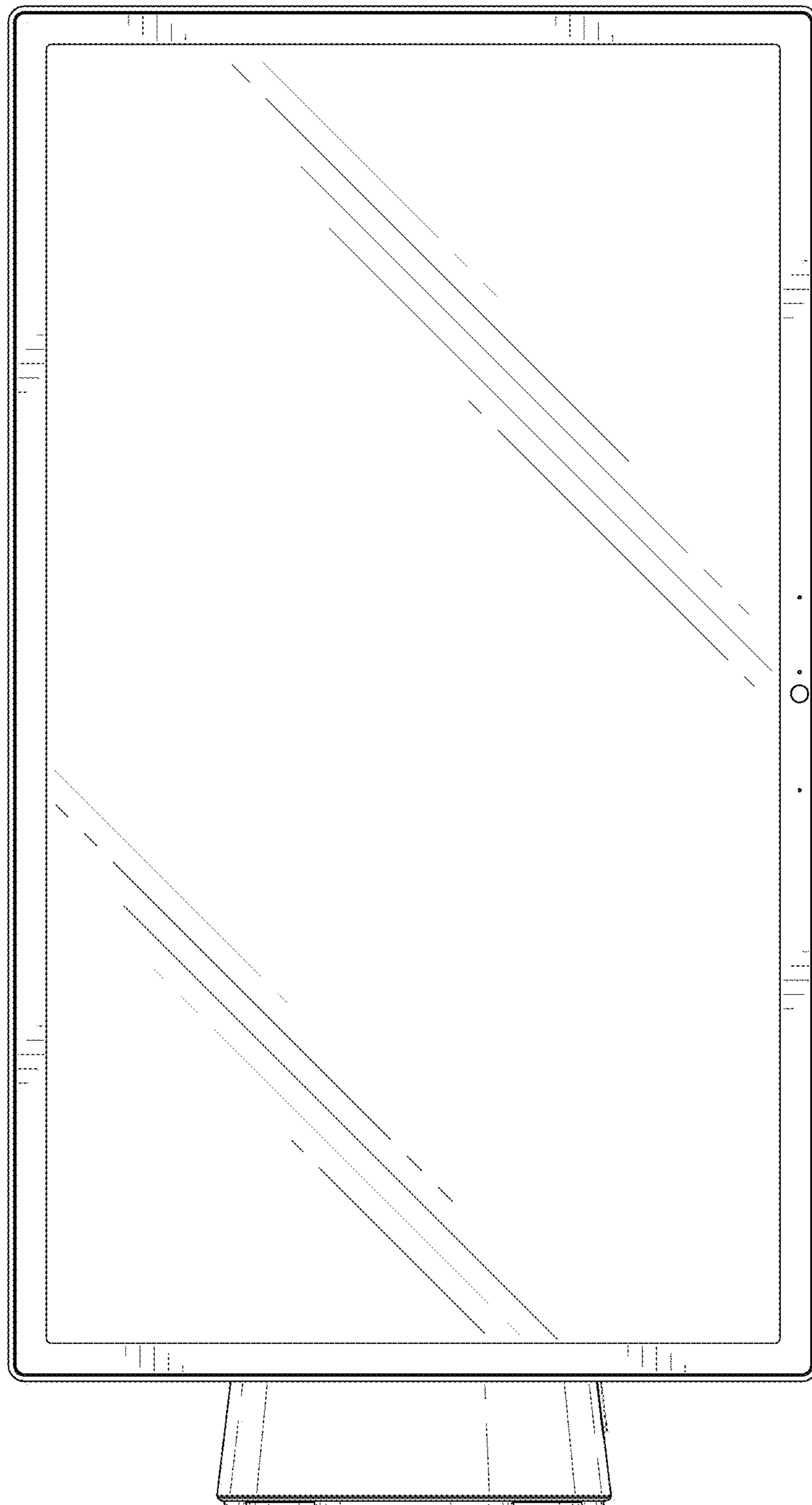


FIG. 12

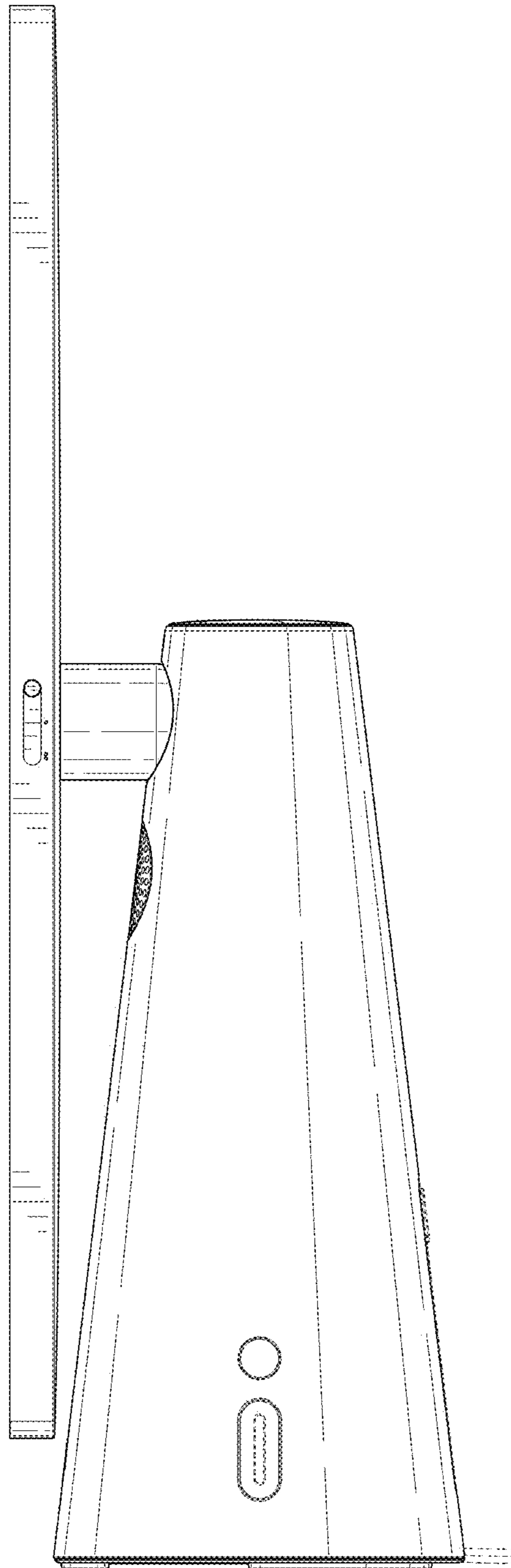


FIG. 13

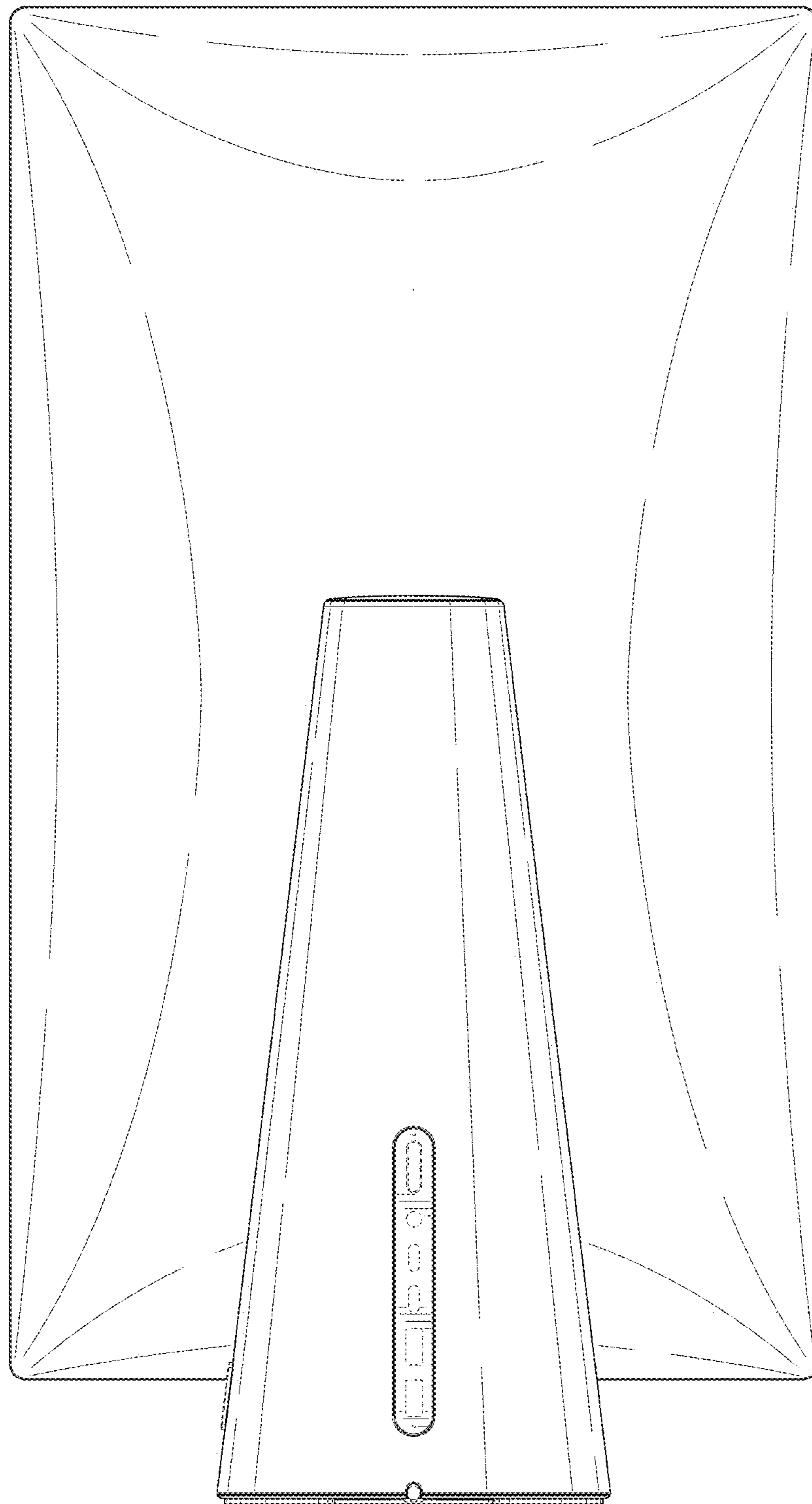


FIG. 14

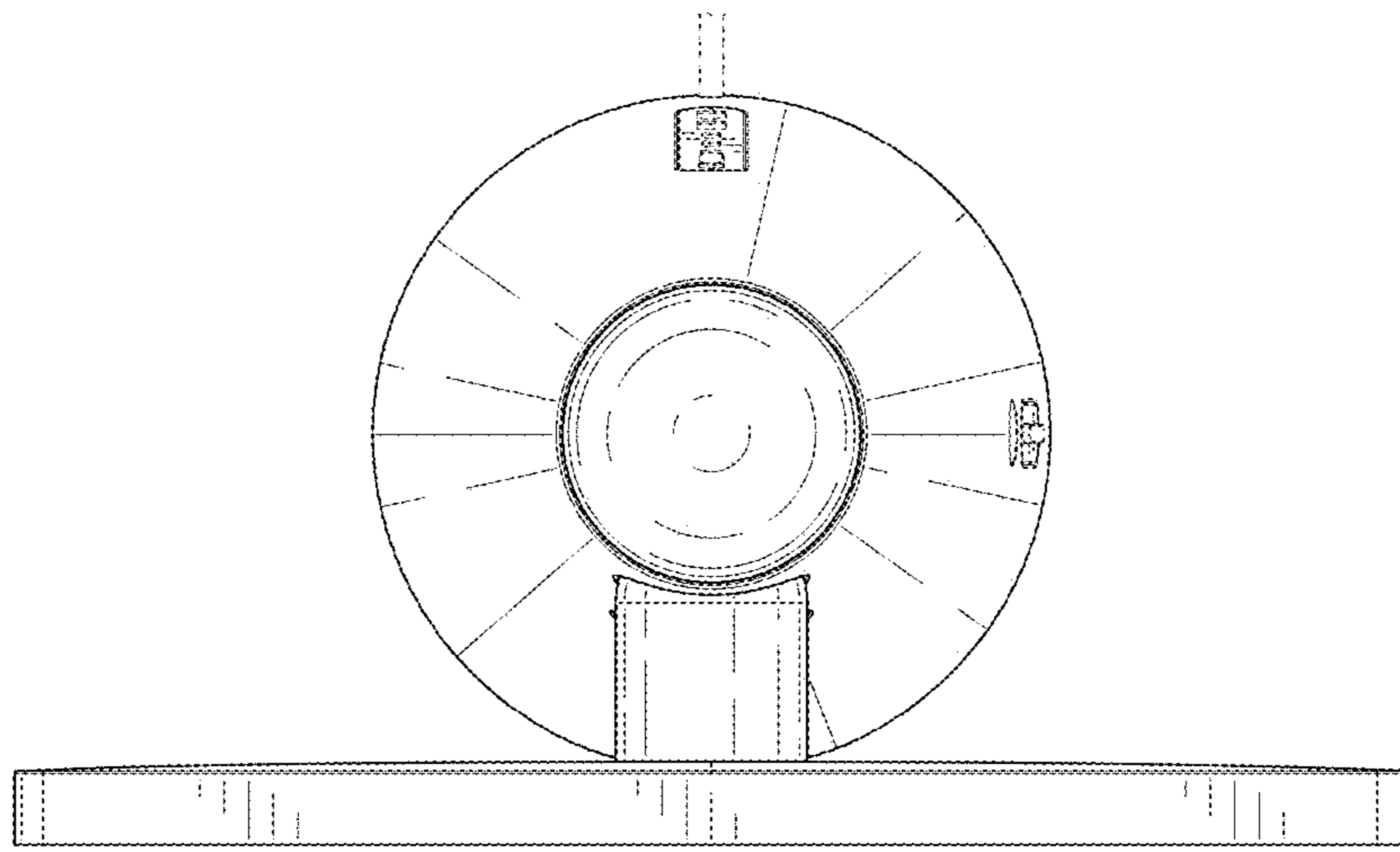


FIG. 15

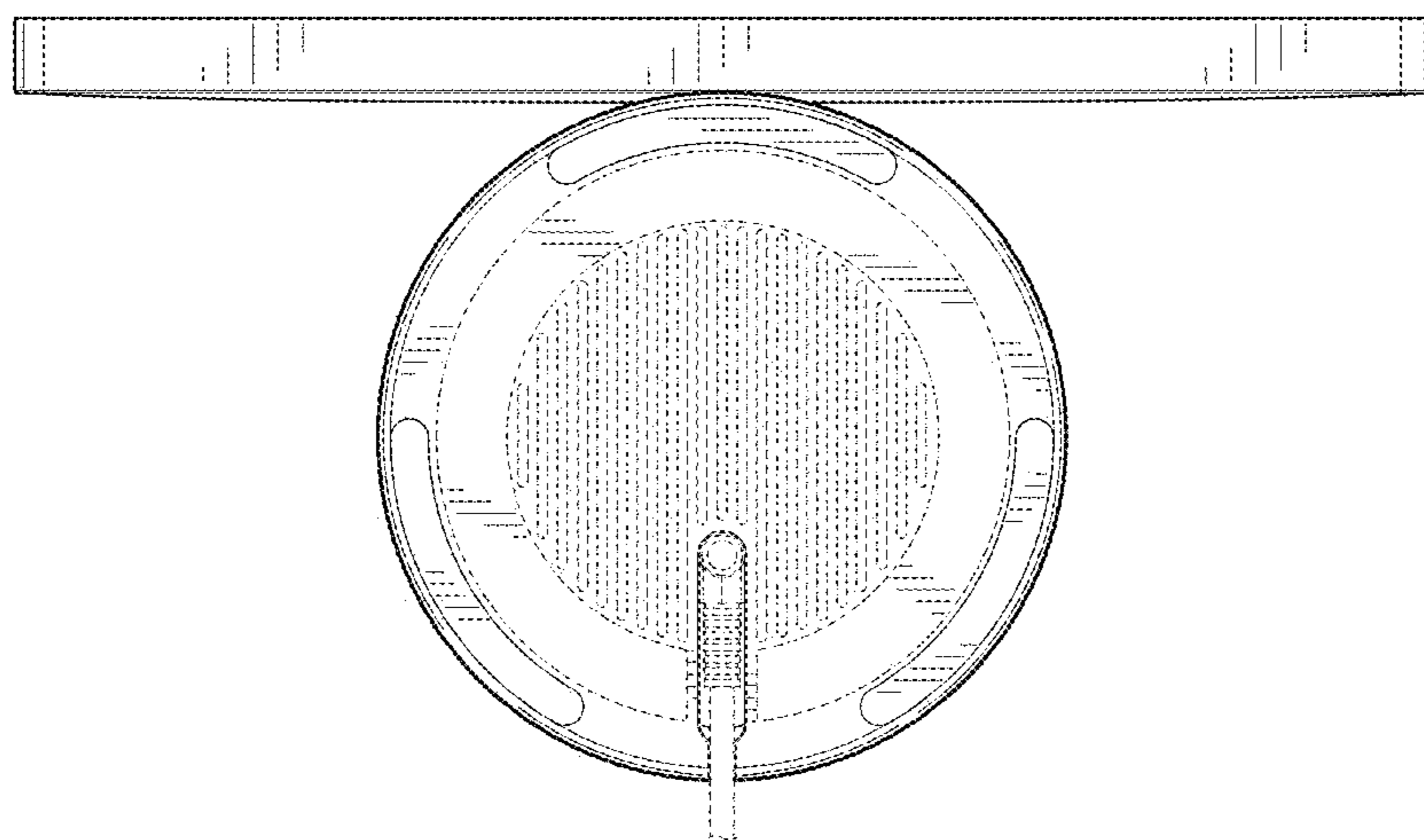


FIG. 16