

US00D941286S

(12) **United States Design Patent**
Eun

(10) **Patent No.:** **US D941,286 S**
(45) **Date of Patent:** **** Jan. 18, 2022**

(54) **POINT-OF-SALE TERMINAL**
(71) Applicant: **POSBANK CO., LTD.**, Seoul (KR)
(72) Inventor: **Dong Uk Eun**, Gyeonggi-do (KR)
(73) Assignee: **POSBANK CO., LTD.**, Seoul (KR)
(**) Term: **15 Years**

D695,285 S * 12/2013 Smith D14/307
D707,674 S * 6/2014 Daniel D14/307
D751,061 S * 3/2016 Berini D14/307
D762,635 S * 8/2016 Szeredi D14/307
D782,467 S * 3/2017 Bladwell D14/307
D836,099 S * 12/2018 Vaananen D14/307
D836,625 S * 12/2018 Szeredi D14/307
D874,568 S * 2/2020 Weldon D20/1

(Continued)

(21) Appl. No.: **29/686,901**

(22) Filed: **Apr. 9, 2019**

(30) **Foreign Application Priority Data**

Oct. 11, 2018 (KR) 30-2018-0046755

(51) **LOC (13) Cl.** **14-02**

(52) **U.S. Cl.**
USPC **D14/307**

(58) **Field of Classification Search**

USPC D14/211, 238, 251, 253, 307, 336,
D14/371-382, 125-129, 337, 447, 448,
D14/451, 452, 492, 450, 239; 341/12;
345/104, 156, 168, 173; 348/180, 184,
348/325, 739; 349/1, 2, 11, 62;
361/679.05-679.07, 679.21; D6/300,
D6/310-313, 308, 708; D18/4.1, 4.3, 4.5,
D18/4.6, 12
CPC F16M 13/02; F16M 13/00; F16M 11/10;
F16M 11/04; F16M 2200/08; F16M
11/2021; A47B 21/0314; A47B 88/044;
A47B 2021/0335; H02G 3/126; F16B
47/00; F16B 47/006; A47G 1/17; A47K
2201/00

See application file for complete search history.

(56) **References Cited**

U.S. PATENT DOCUMENTS

D377,784 S * 2/1997 Wilson D10/93
D417,440 S * 12/1999 Wilson D10/93

FOREIGN PATENT DOCUMENTS

TW D158459 1/2014
TW D187841 1/2018
TW D192710 9/2018

Primary Examiner — Katie Jane Stofko

(74) *Attorney, Agent, or Firm* — Marshall, Gerstein & Borun LLP

(57) **CLAIM**

The ornamental design for a point-of-sale terminal, as shown and described.

DESCRIPTION

FIG. 1 is a front, top, and right-side orthographic view of a point-of-sale terminal showing the new design.

FIG. 2 is a front elevation view of the point-of-sale terminal.

FIG. 3 is a right-side elevation view of the point-of-sale terminal.

FIG. 4 is a left-side elevation view of the point-of-sale terminal.

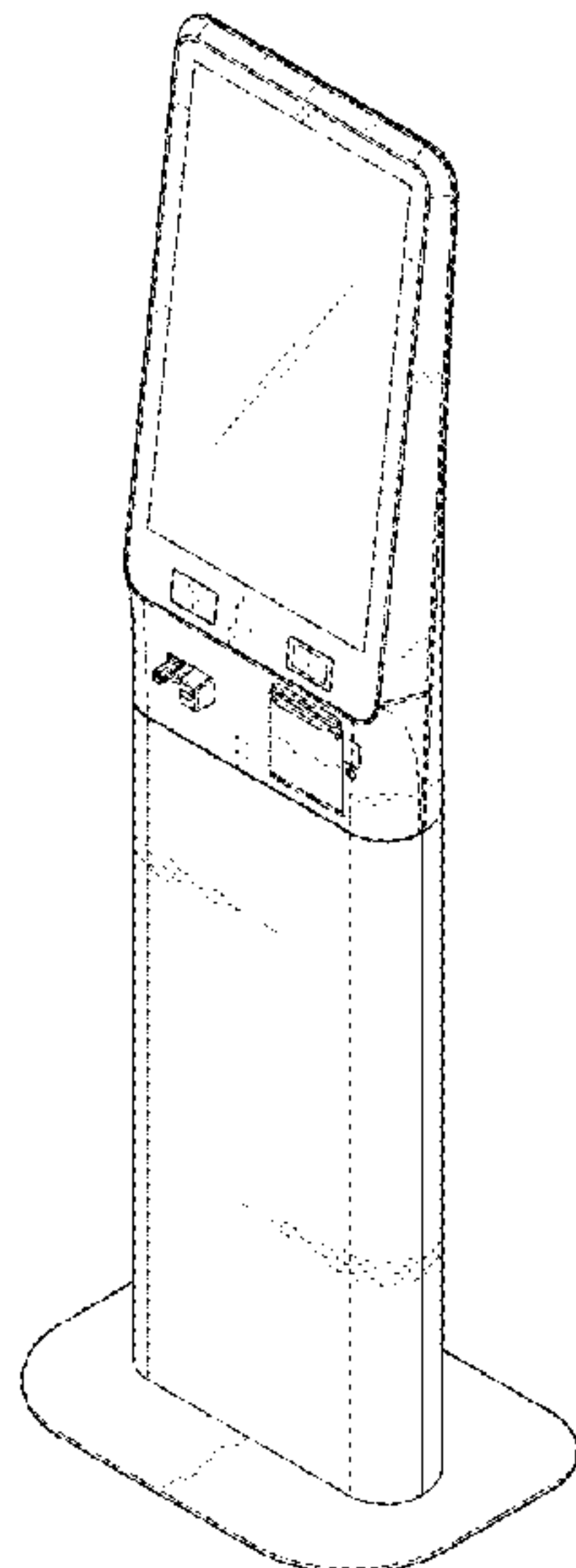
FIG. 5 is a rear elevation view of the point-of-sale terminal.

FIG. 6 is an enlarged top plan view of the point-of-sale terminal; and,

FIG. 7 is an enlarged bottom plan view of the point-of-sale terminal.

The broken lines shown in the drawings illustrate portions of the point-of-sale terminal that form no part of the claimed design.

1 Claim, 4 Drawing Sheets



(56)

References Cited

U.S. PATENT DOCUMENTS

D887,403 S * 6/2020 Matsushita D14/307
D889,455 S * 7/2020 Birgeoglu D14/307
D910,006 S * 2/2021 Kihl D14/307

* cited by examiner

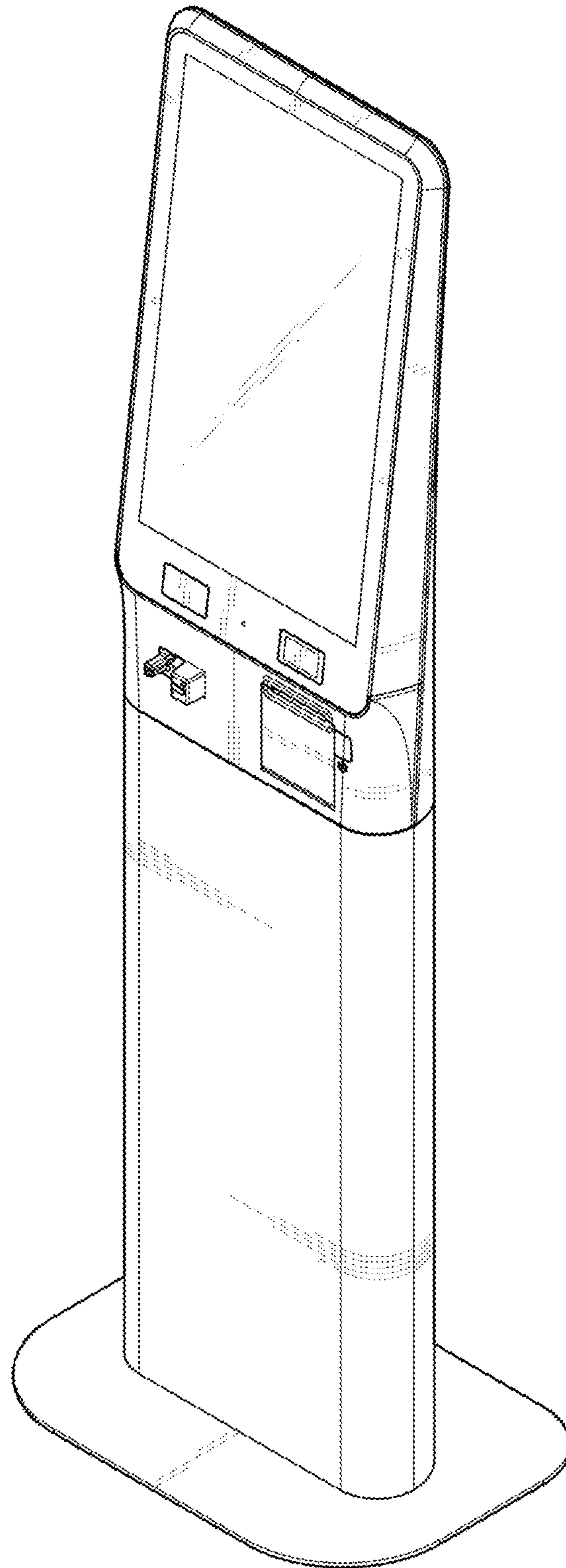


Fig. 1

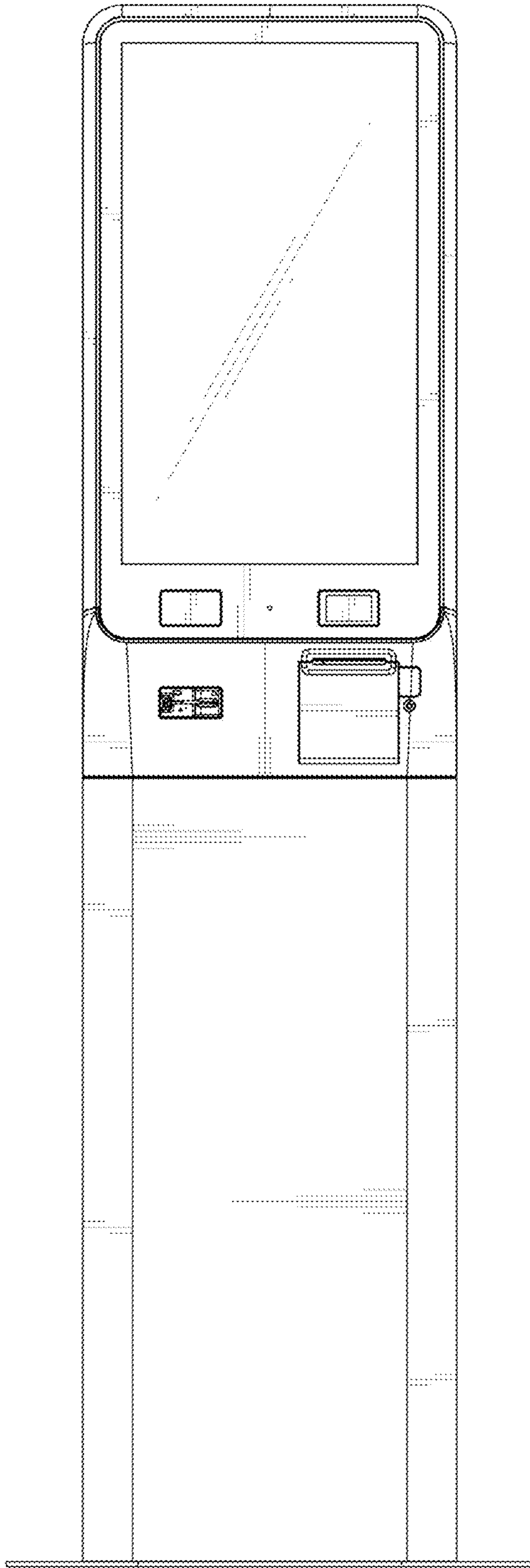


Fig. 2

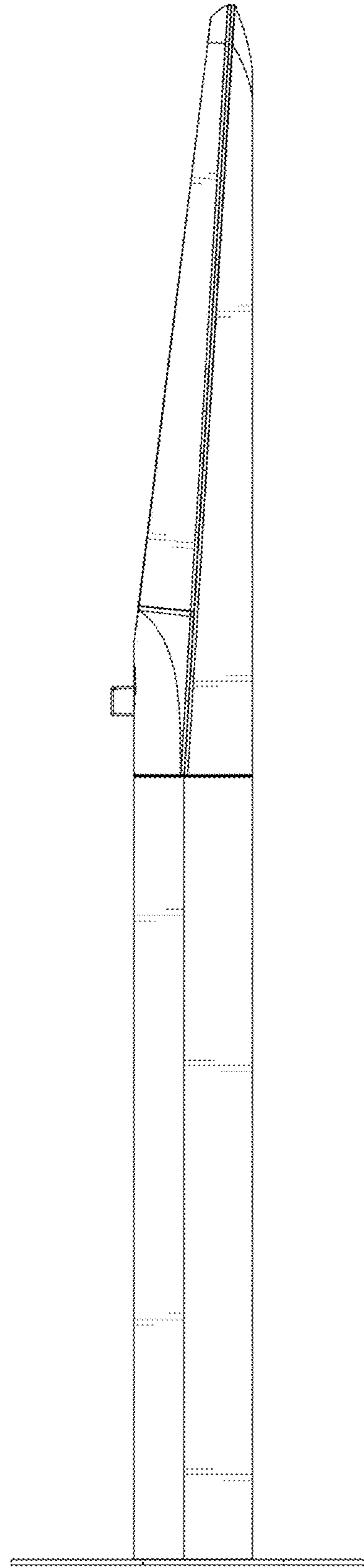


Fig. 3

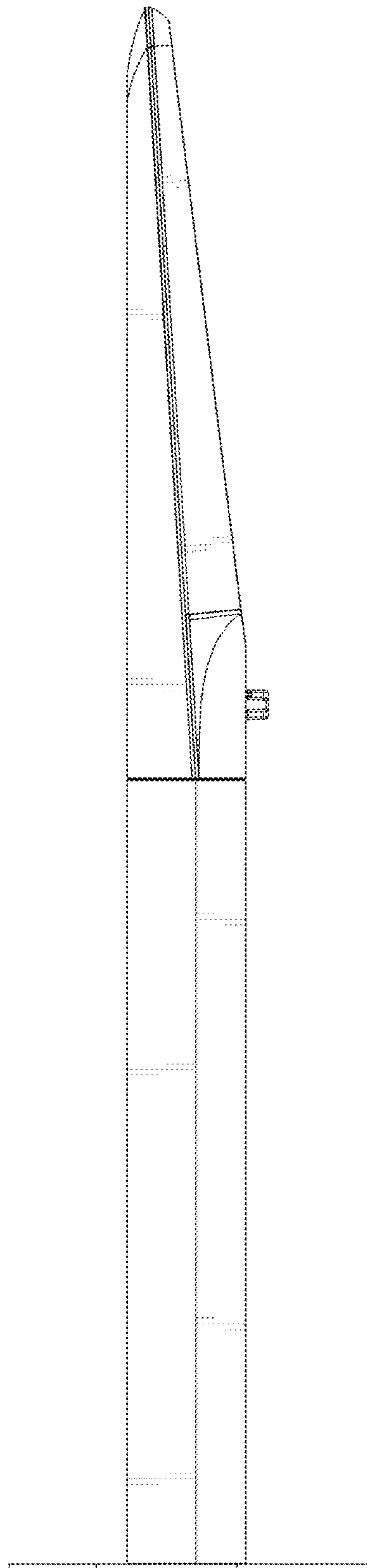


Fig. 4

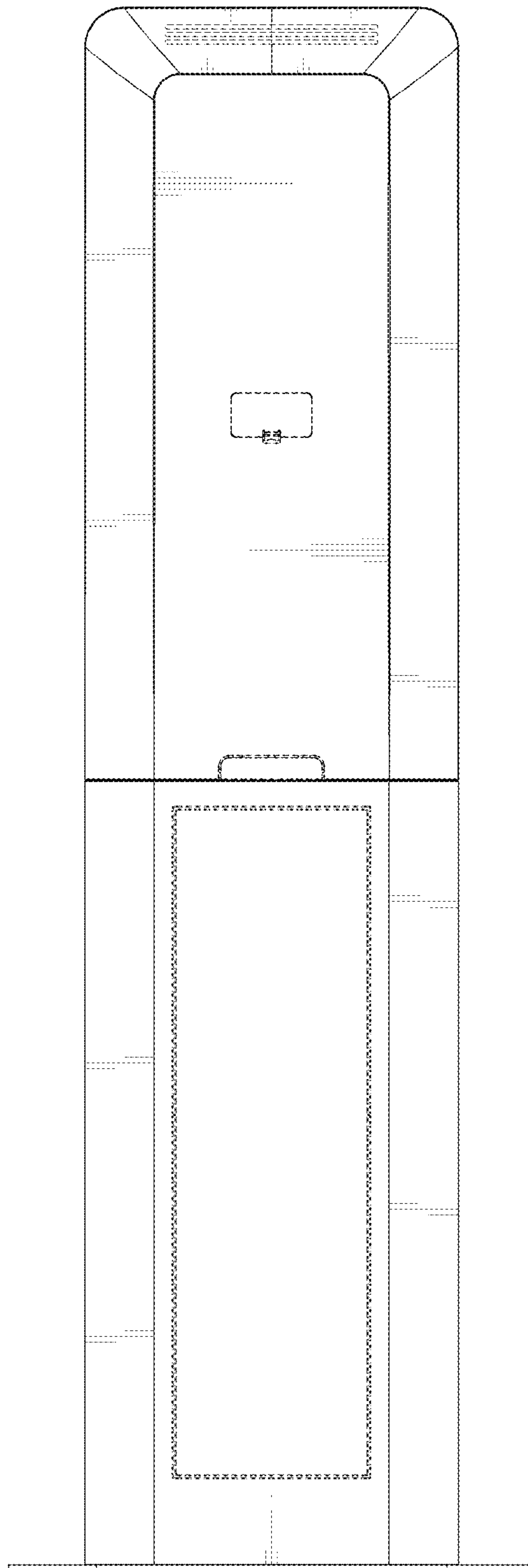


Fig. 5

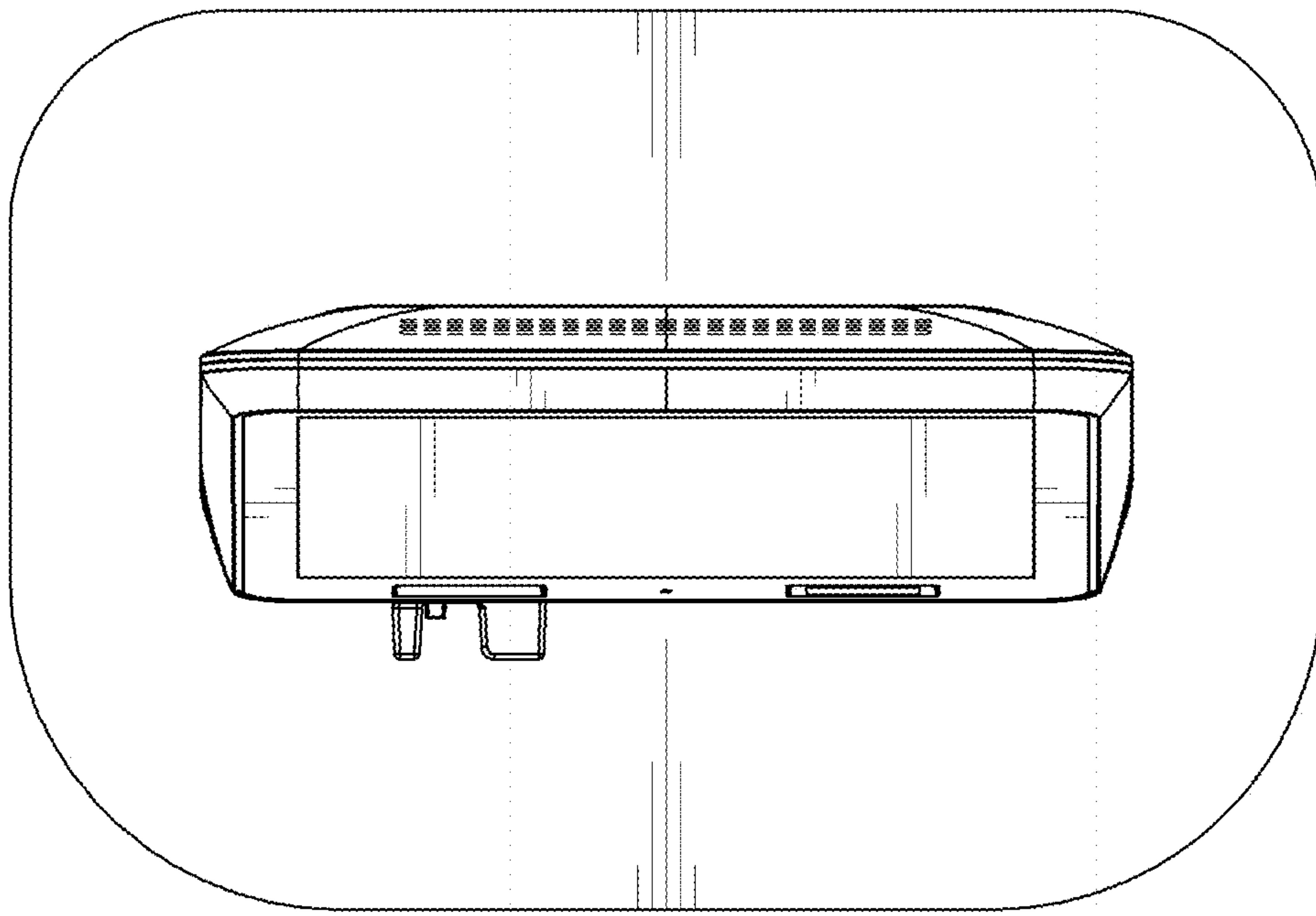


Fig. 6

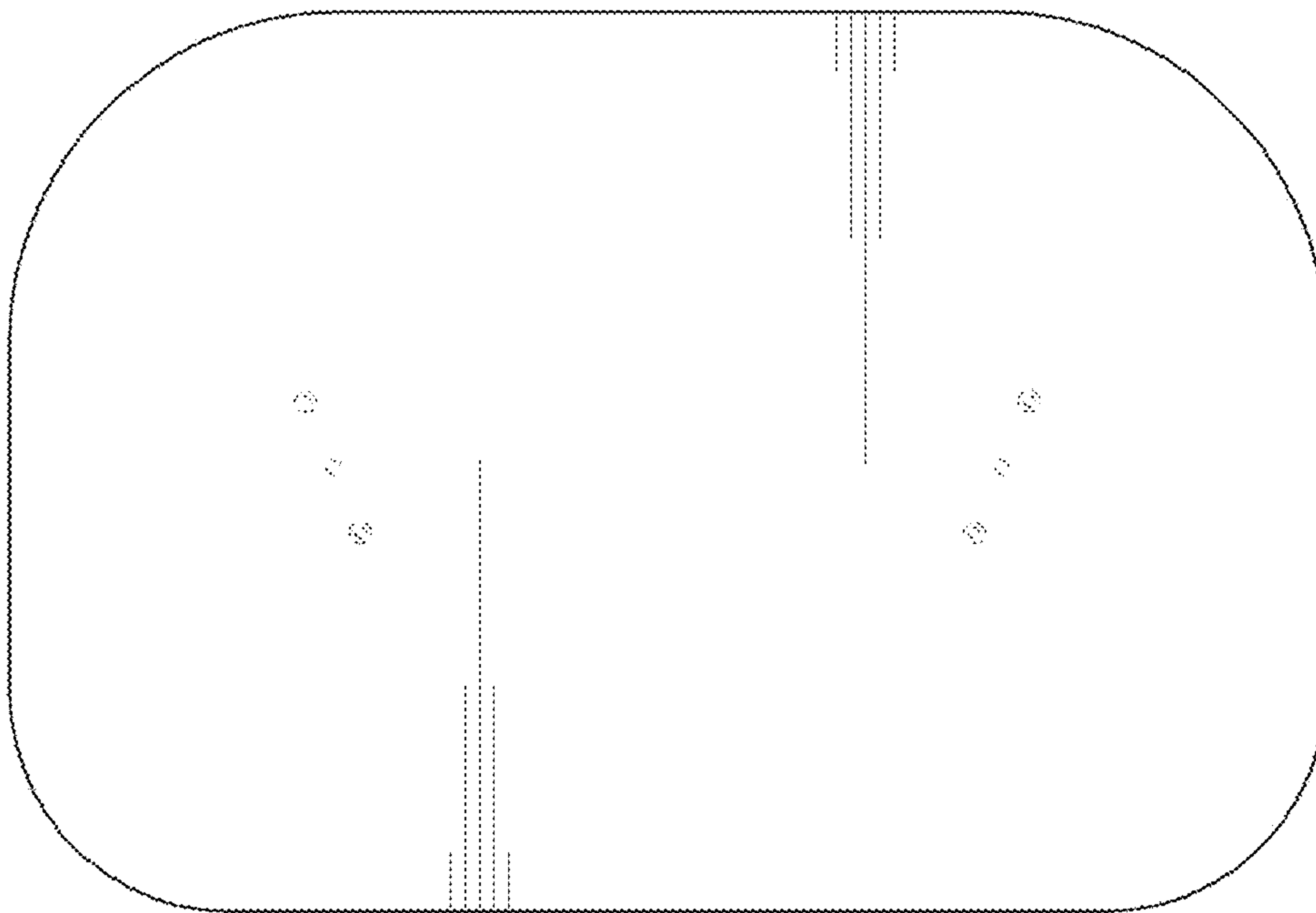


Fig. 7