



US00D941285S

(12) **United States Design Patent**  
**Chang**

(10) **Patent No.:** **US D941,285 S**  
(45) **Date of Patent:** **\*\* Jan. 18, 2022**

(54) **SUPPORTING FRAME**  
(71) Applicant: **SYNCMOLD ENTERPRISE CORP.**,  
New Taipei (TW)

D807,895 S \* 1/2018 Won ..... D14/452  
D815,105 S \* 4/2018 Jung ..... D14/452  
D847,823 S \* 5/2019 Monsalve ..... D14/452  
D855,038 S \* 7/2019 Hu ..... D14/224

(Continued)

(72) Inventor: **Jen-Yao Chang**, New Taipei (TW)

**FOREIGN PATENT DOCUMENTS**

(73) Assignee: **SYNCMOLD ENTERPRISE CORP.**,  
New Taipei (TW)

CN 304968141 \* 12/2018  
CN 304968142 \* 12/2018

(Continued)

(\*\*) Term: **15 Years**

*Primary Examiner* — Rebekah A Caruso

(21) Appl. No.: **29/746,849**

(74) *Attorney, Agent, or Firm* — Muncy, Geissler, Olds  
and Lowe, P.C.

(22) Filed: **Aug. 18, 2020**

(51) **LOC (13) Cl.** ..... **14-99**

(57) **CLAIM**

(52) **U.S. Cl.**  
USPC ..... **D14/253**; D14/447

The ornamental design for a supporting frame, as shown and  
described.

(58) **Field of Classification Search**

**DESCRIPTION**

USPC .... D14/251–253, 224, 224.1, 432–434, 447,  
D14/451, 452; D12/415, 426.1, 114, 223;  
D16/242, 244, 245; D10/74; D3/218;  
D13/108

FIG. 1 is a perspective view of a supporting frame showing  
the claimed design in an unfolded configuration;

CPC ..... B60R 11/00; B60R 11/02; B60R 11/0241;  
B60R 11/0252; B60R 2011/0003; B60R  
2011/0005; B60R 2011/0008; H04M  
1/04; H04B 1/3877; A45F 2200/0516;  
A45F 2200/0525; H05K 5/02; H05K  
5/0204; H05K 7/00; F16M 13/02; F16M  
13/022; F16M 11/00; F16M 11/04; F16M  
11/041; F16M 11/06

FIG. 2 is a front view thereof;

FIG. 3 is a rear view thereof;

FIG. 4 is a left side view thereof;

FIG. 5 is a right side view thereof;

FIG. 6 is a top view thereof;

FIG. 7 is a bottom view thereof;

FIG. 8 is another perspective view showing the claimed  
design in the unfolded configuration for supporting an  
electronic device;

FIG. 9 is another perspective view showing the claimed  
design being in another unfolded configuration; and,

FIG. 10 is another perspective view showing the claimed  
design being in a folded configuration.

See application file for complete search history.

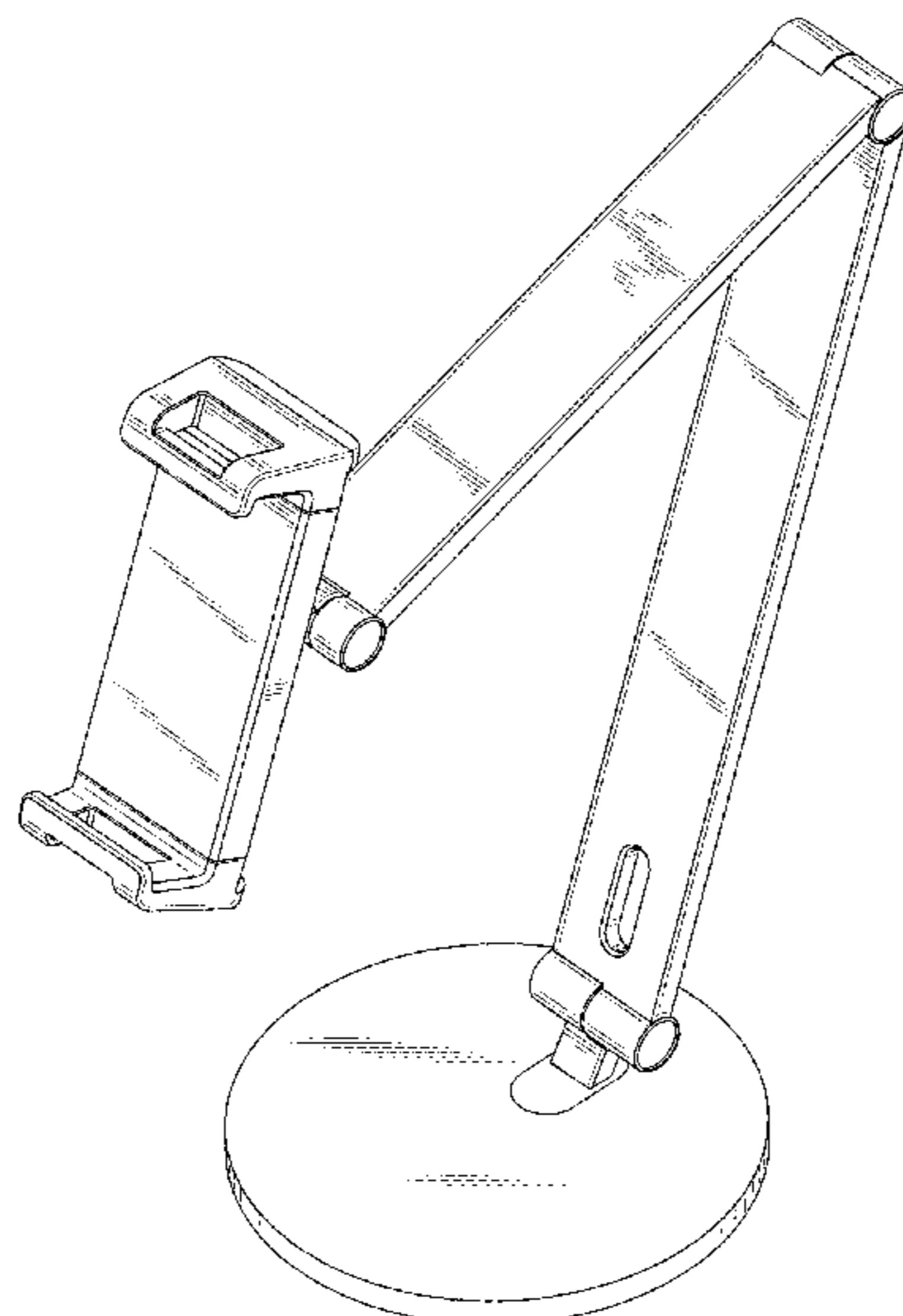
The broken lines in FIG. 8 are directed to environment and  
are for illustrative purpose only, while all other broken lines  
depict portions of the supporting frame; the broken lines  
form no part of the claimed design.

(56) **References Cited**

**U.S. PATENT DOCUMENTS**

D608,771 S \* 1/2010 Hsu ..... D14/239  
D614,613 S \* 4/2010 Kim ..... D14/253  
D690,306 S \* 9/2013 Malisse ..... D14/447  
D724,072 S \* 3/2015 Jiang ..... D14/253  
D758,375 S \* 6/2016 Won ..... D14/451  
D769,235 S \* 10/2016 Li ..... D14/253  
D799,467 S \* 10/2017 Lou ..... D14/253

**1 Claim, 10 Drawing Sheets**



(56)

**References Cited**

U.S. PATENT DOCUMENTS

D881,201 S \* 4/2020 Lou ..... D14/447  
D903,689 S \* 12/2020 Zheng ..... D14/447  
D912,680 S \* 3/2021 Zheng ..... D14/447  
D918,190 S \* 5/2021 Hong ..... D14/253  
D922,361 S \* 6/2021 Jin ..... D14/224  
11,106,117 B2 \* 8/2021 Hong ..... F16M 11/10  
2014/0145051 A1 \* 5/2014 Gwag ..... F16M 11/2092  
248/298.1

FOREIGN PATENT DOCUMENTS

CN 305022843 \* 2/2019  
CN 305022844 \* 2/2019  
CN 305260868 \* 7/2019

\* cited by examiner

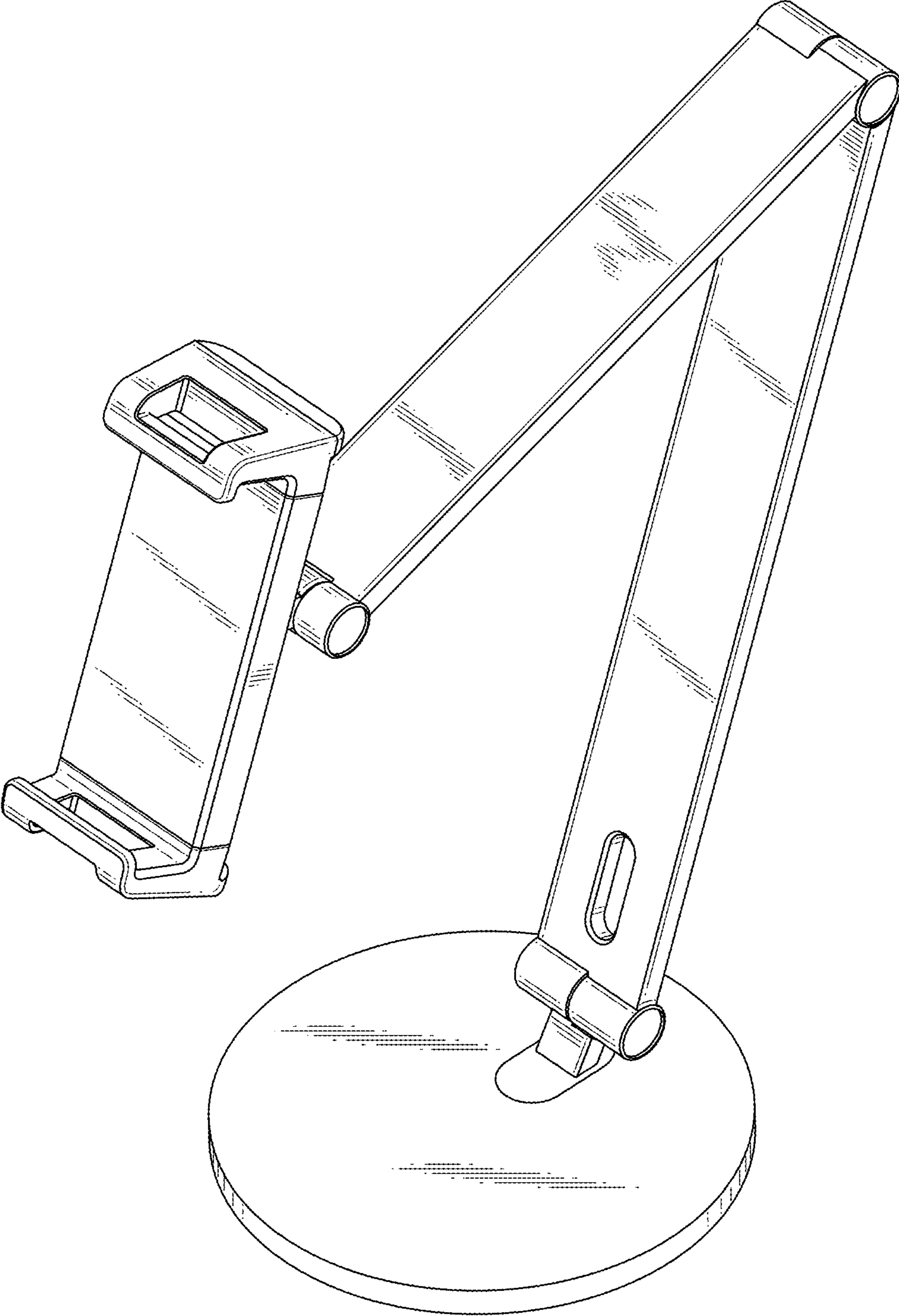


FIG. 1

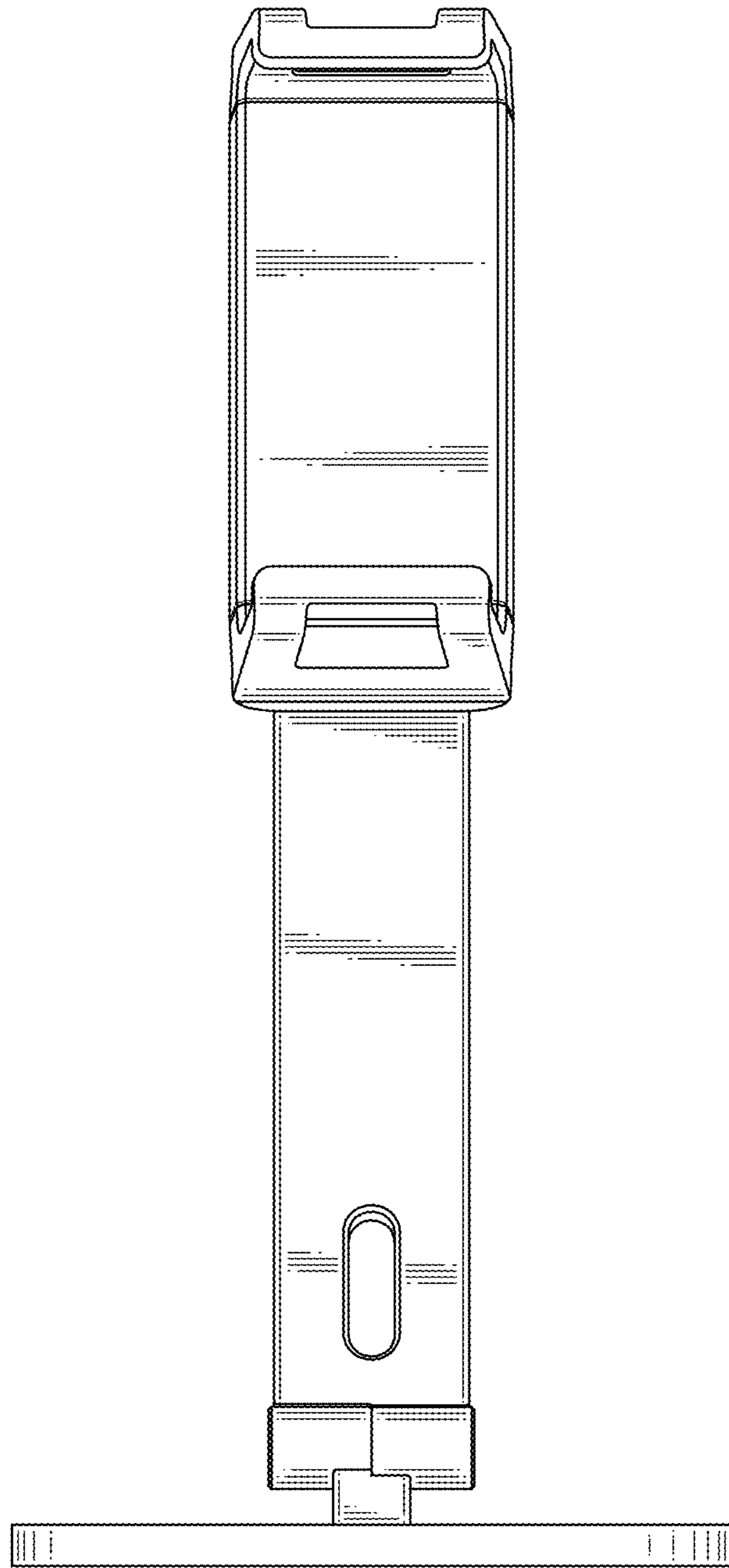


FIG. 2

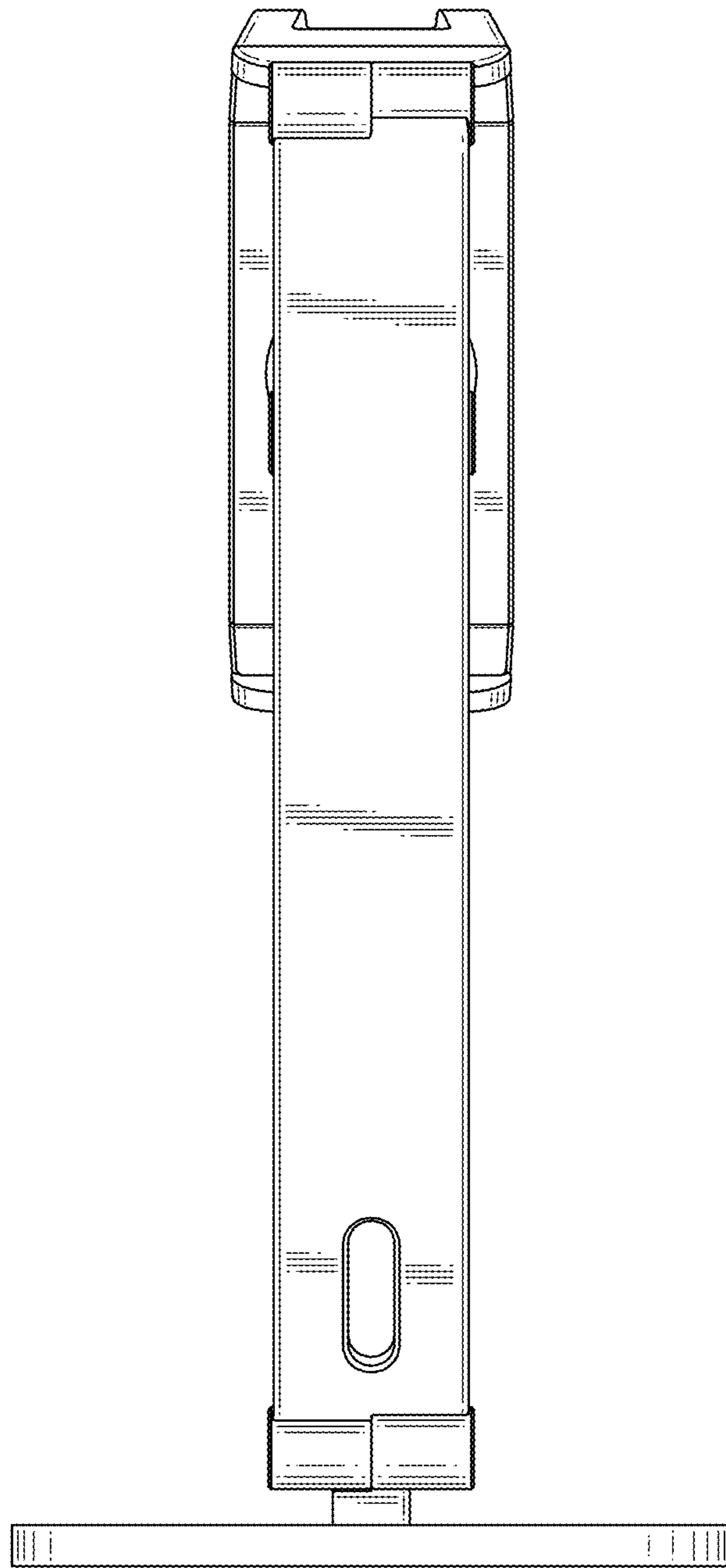


FIG. 3

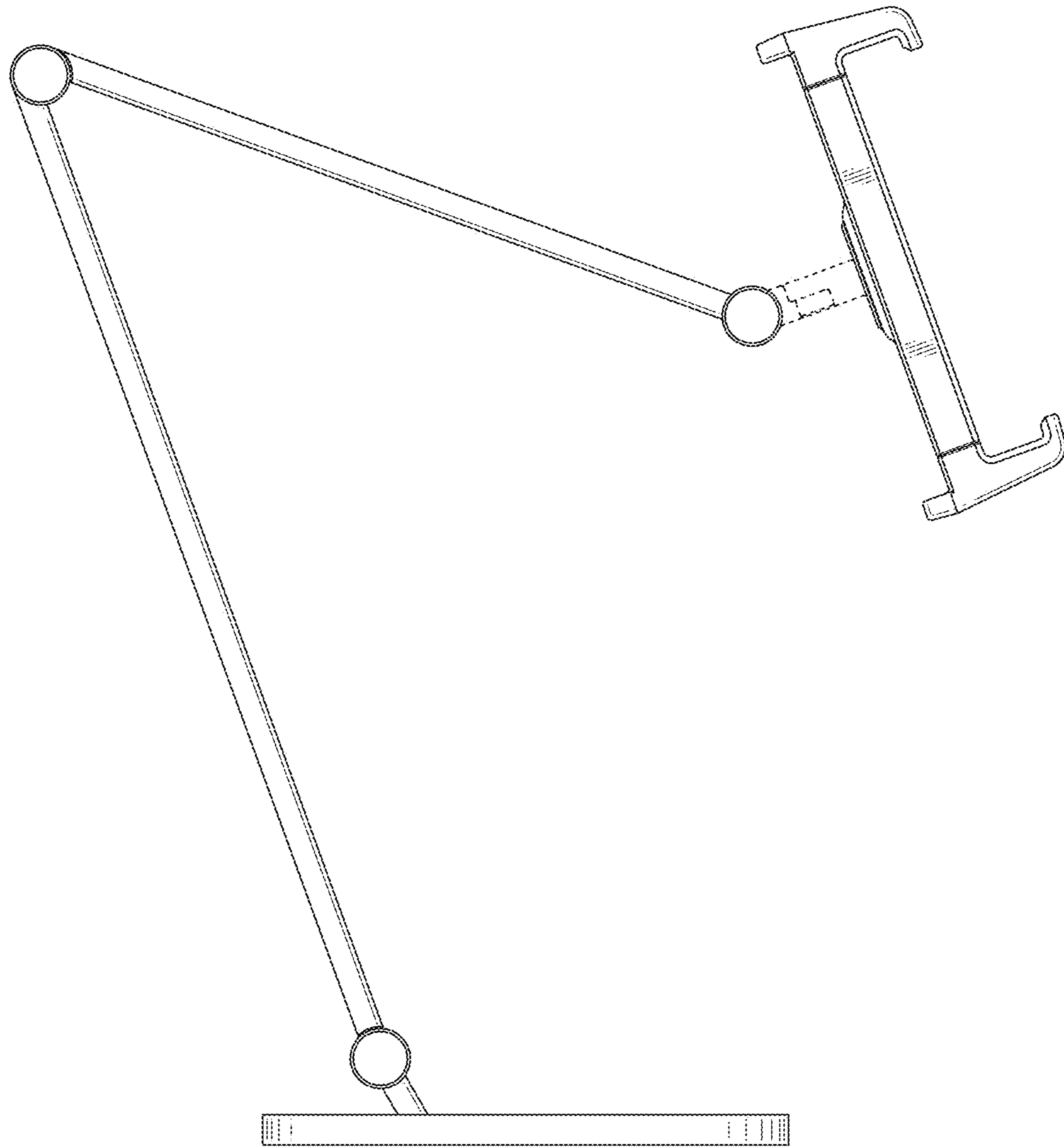


FIG. 4

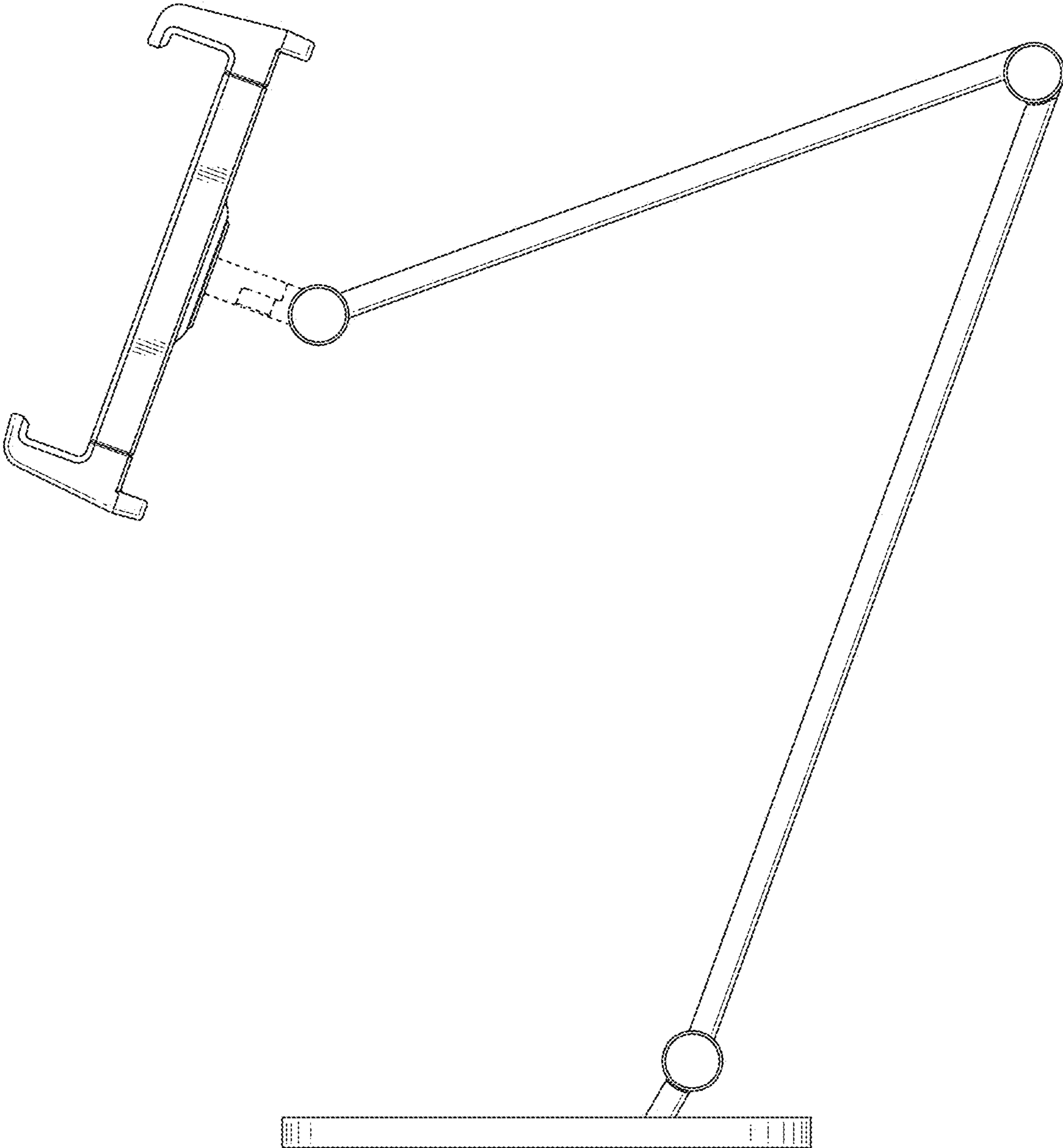


FIG. 5

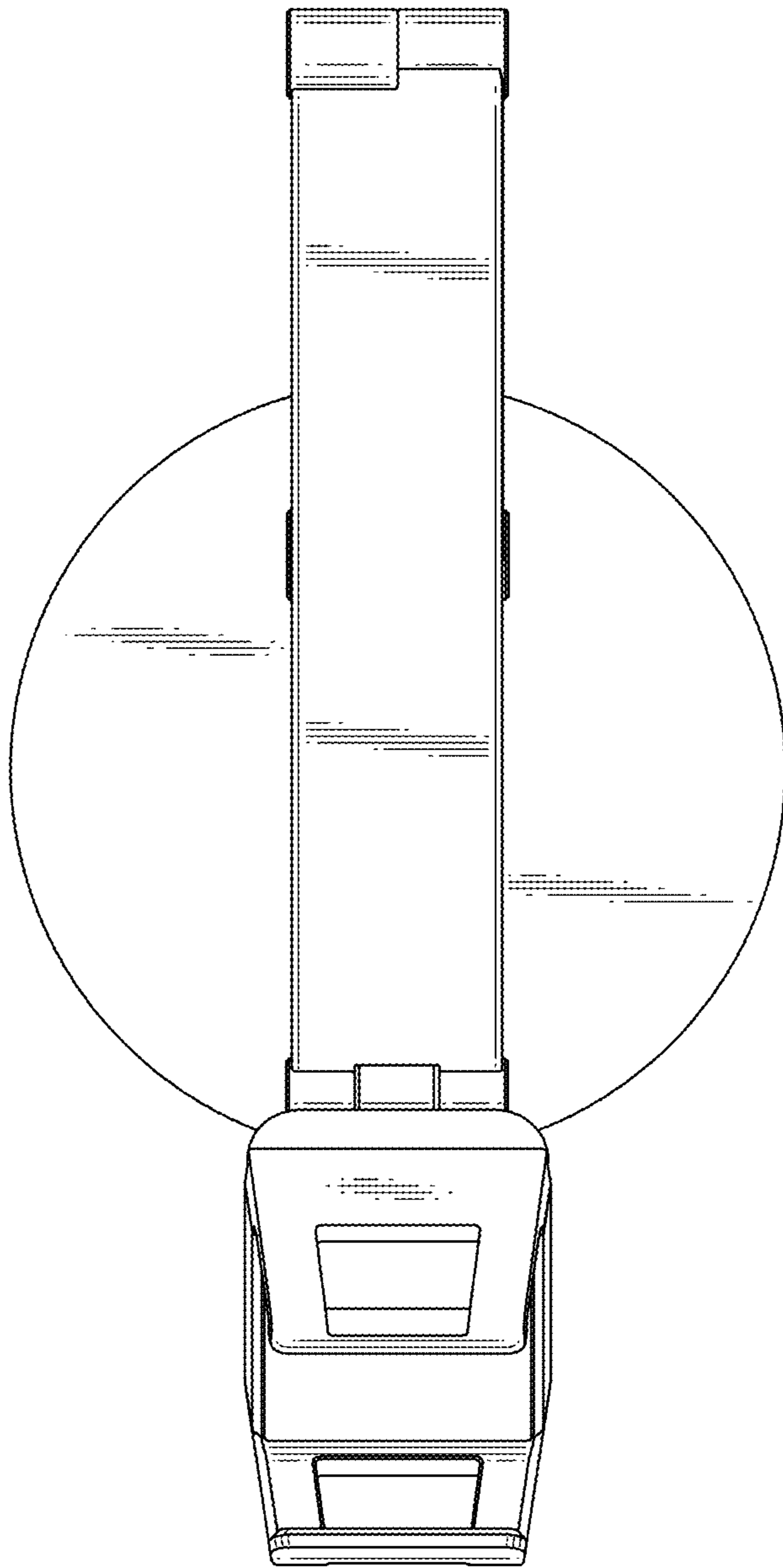


FIG. 6



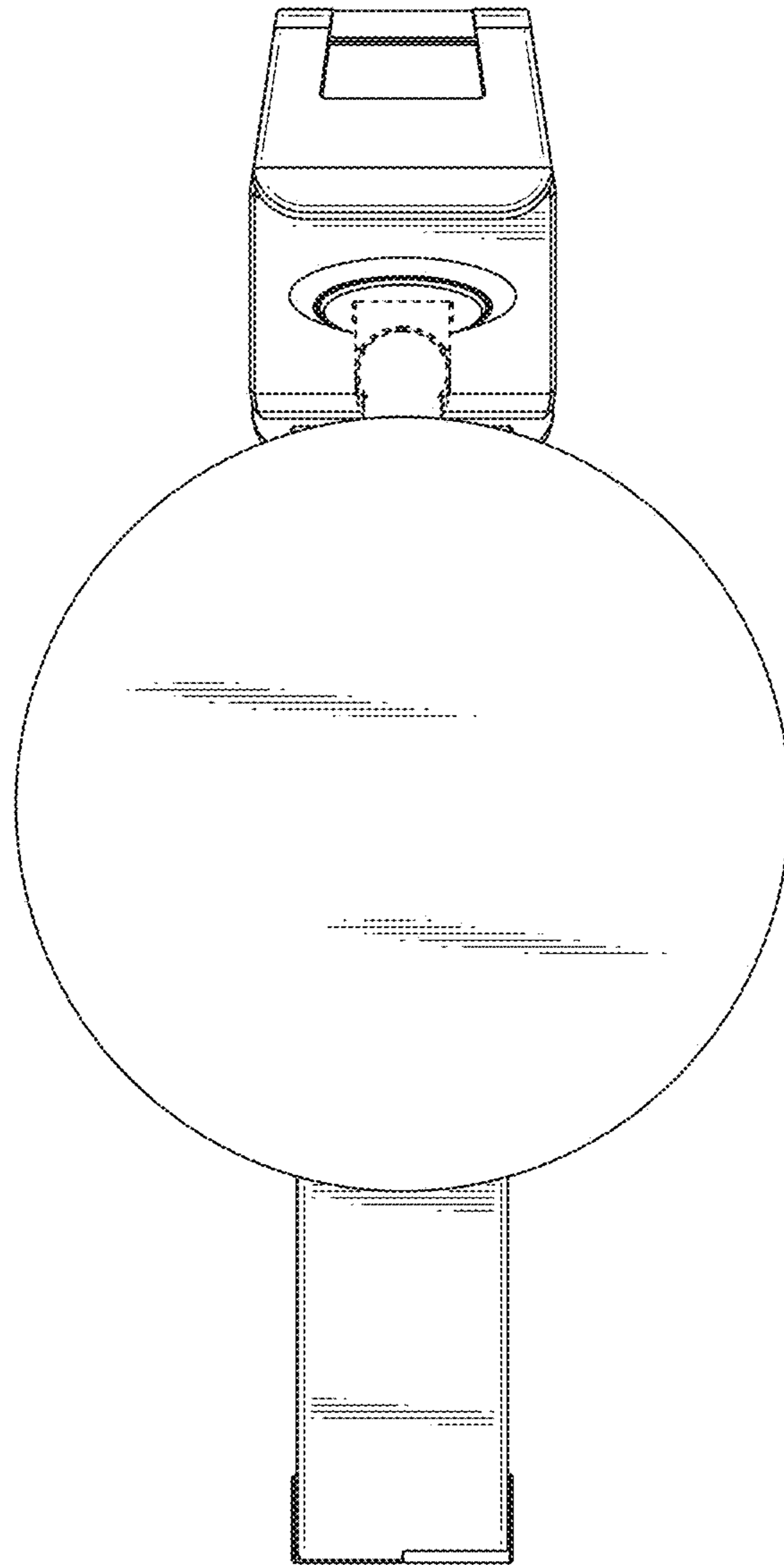


FIG. 7

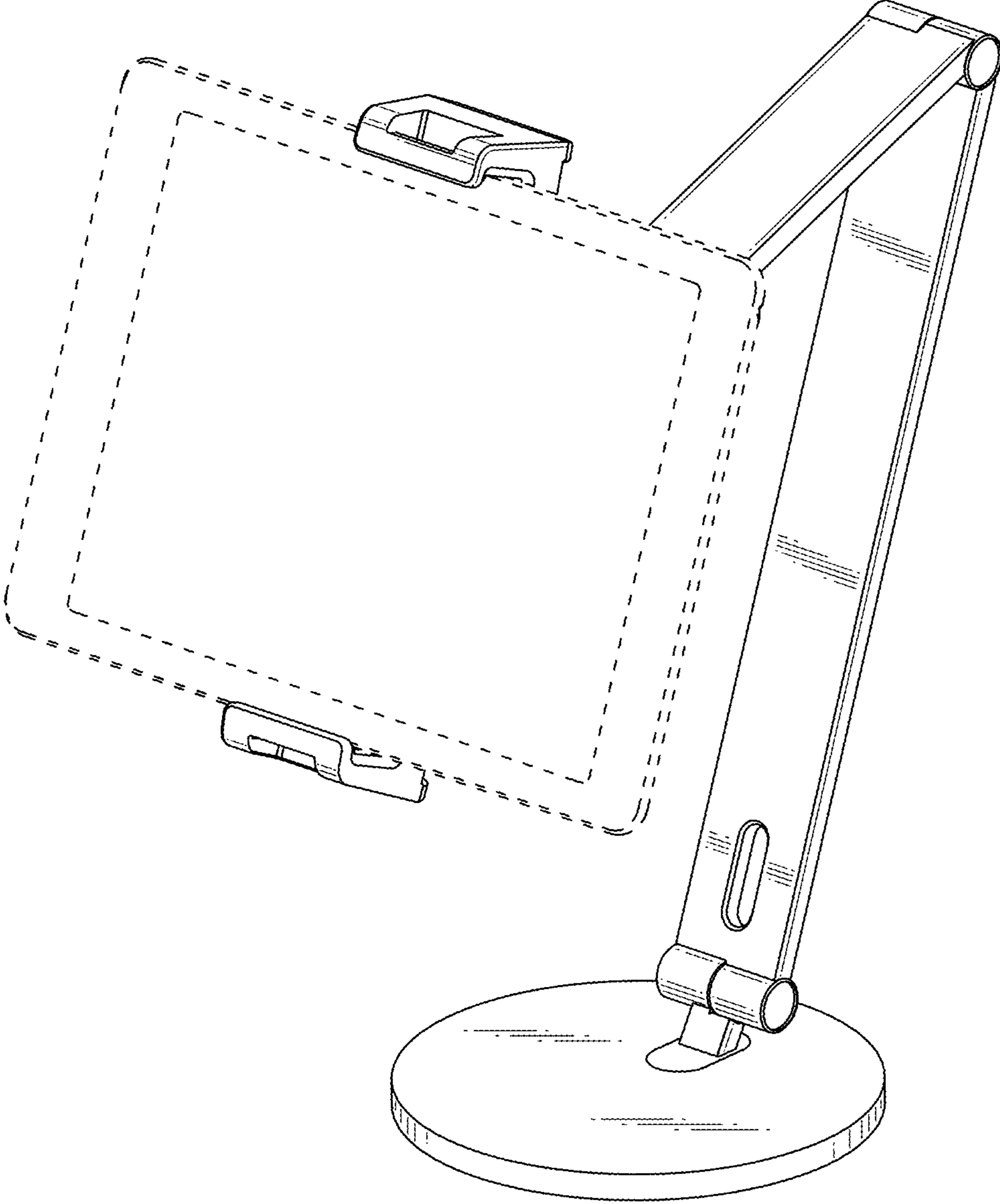


FIG. 8

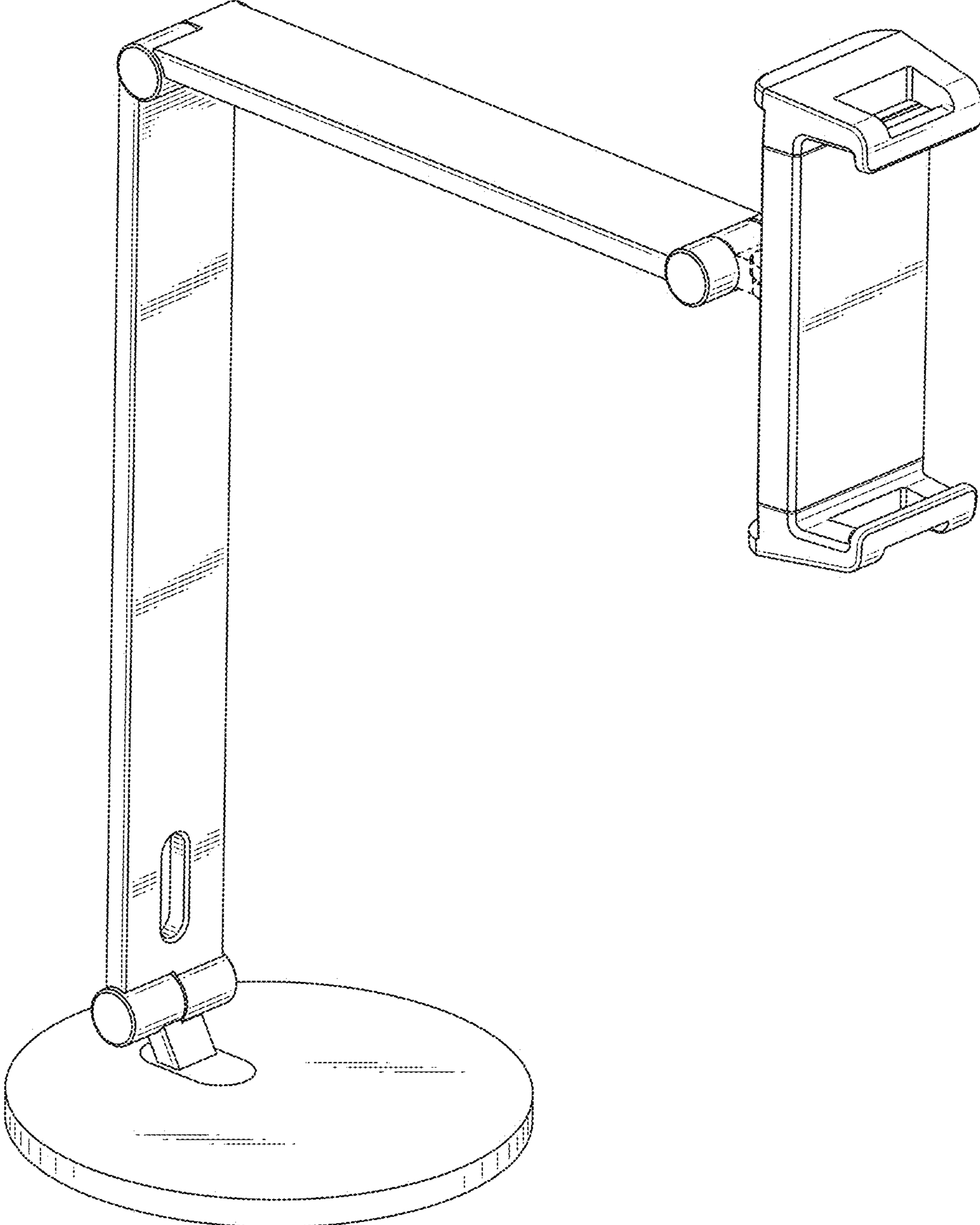


FIG. 9

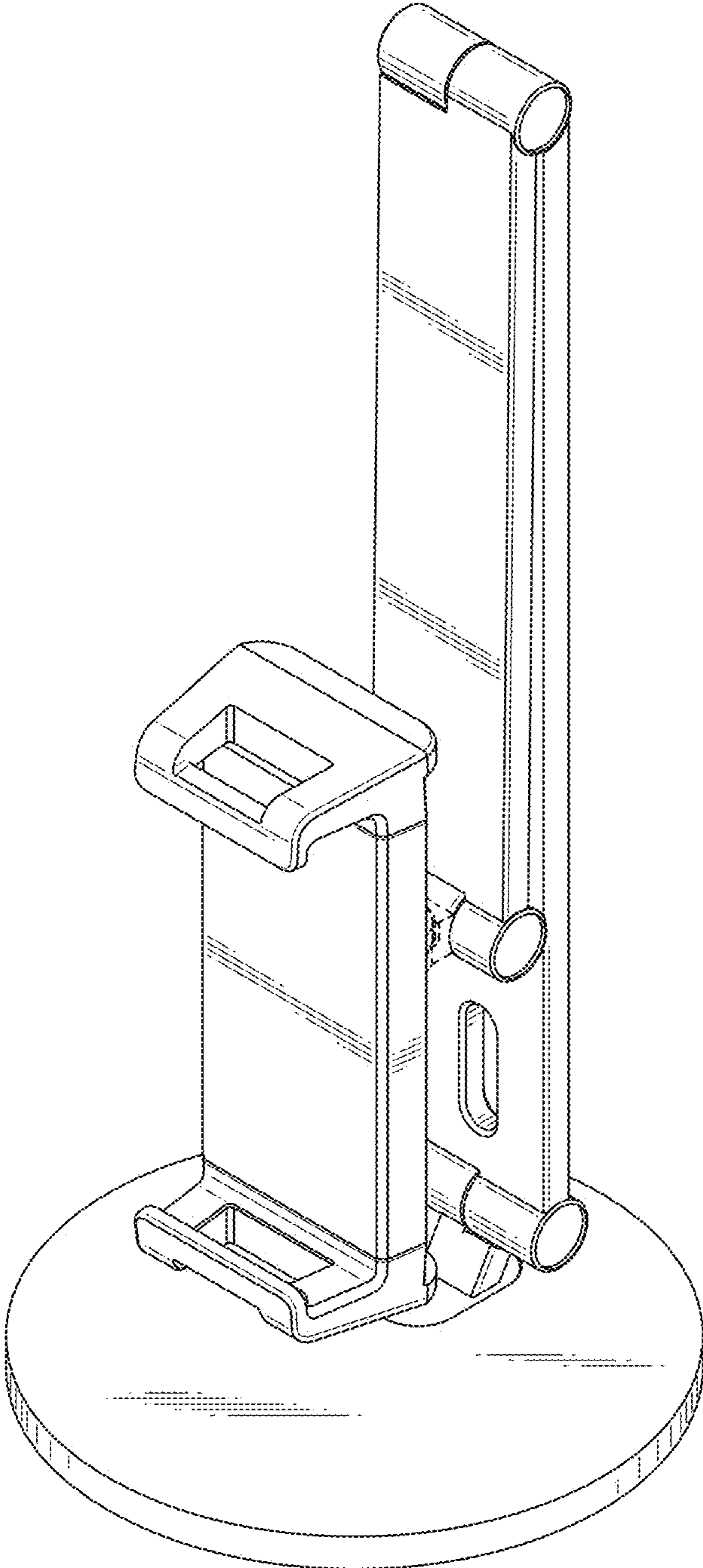


FIG. 10