



US00D941284S

(12) **United States Design Patent**  
**Higley et al.**

(10) **Patent No.:** **US D941,284 S**  
(45) **Date of Patent:** **\*\* Jan. 18, 2022**

(54) **DUST PLUG**  
(71) Applicant: **US Conec, Ltd**, Hickory, NC (US)  
(72) Inventors: **Jason Higley**, Hickory, NC (US);  
**Darrell R. Childers**, Hickory, NC (US)  
(73) Assignee: **US Conec, Ltd**, Hickory, NC (US)  
(\*\*) Term: **15 Years**

10,374,349 B2 \* 8/2019 Gustaveson ..... G06F 21/86  
D861,487 S \* 10/2019 Webb ..... D9/455  
D880,423 S \* 4/2020 Obata ..... D13/133  
D881,818 S \* 4/2020 Obata ..... D13/133  
D894,346 S \* 8/2020 Brigham ..... D23/260  
D906,038 S \* 12/2020 Pin ..... D7/387  
2011/0039449 A1 \* 2/2011 Montena ..... H01R 9/0524  
439/585

(21) Appl. No.: **29/716,625**  
(22) Filed: **Dec. 11, 2019**  
(51) **LOC (13) Cl.** ..... **14-03**  
(52) **U.S. Cl.**  
USPC ..... **D14/253**; D14/240  
(58) **Field of Classification Search**  
USPC .... D14/240, 242, 357, 358, 140-140.9, 155,  
D14/125, 137, 139, 243, 348, 349, 351,  
D14/354, 355, 251, 253; D13/156, 118,  
D13/133, 154; D23/260  
CPC ..... A45C 11/182; A45C 13/002; A45C  
2011/002; A45F 5/00; H04M 1/21; H04M  
1/04; F16B 47/003; F16M 13/04; H01R  
13/443; H01R 33/965; H01R 13/52;  
H01R 2201/16; Y10T 29/53235  
See application file for complete search history.

**OTHER PUBLICATIONS**

Hemobllo Anti Dust Plugs, Date First Available: Apr. 24, 2019,  
[online], [retrieved on Jul. 22, 2021]. Retrieved from Internet,  
<URL: [https://www.amazon.com/Hemobllo-100PCS-Phone-iPhone-Samsung/dp/B07R15Y3TJ/ref=sr\\_1\\_20?dchild=1&keywords=phone+dust+plug&qid=1626991137&sr=8-20](https://www.amazon.com/Hemobllo-100PCS-Phone-iPhone-Samsung/dp/B07R15Y3TJ/ref=sr_1_20?dchild=1&keywords=phone+dust+plug&qid=1626991137&sr=8-20)>.\*

\* cited by examiner

*Primary Examiner* — Bridget L Eland  
(74) *Attorney, Agent, or Firm* — Michael L. Leetzow,  
P.A.; Shubhrangshu Sengupta

(57) **CLAIM**

The ornamental design for a dust plug, as shown and described.

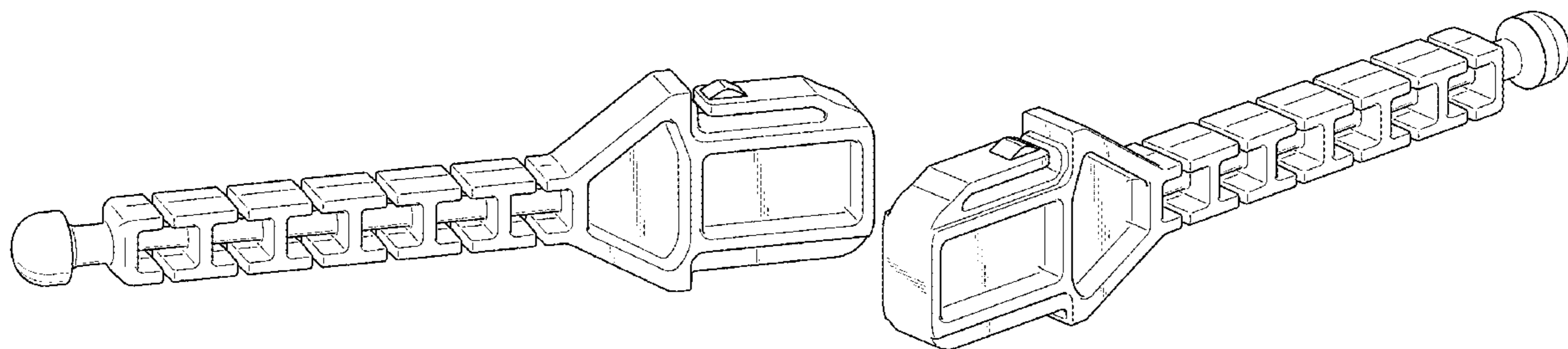
**DESCRIPTION**

FIG. 1 is a top rear right perspective view of a dust plug showing our new design.  
FIG. 2 is a rear elevational view thereof;  
FIG. 3 is a front elevational view thereof;  
FIG. 4 is a left side elevational view thereof;  
FIG. 5 is right side elevational view thereof;  
FIG. 6 is a top plan view thereof;  
FIG. 7 is a bottom plan view thereof; and,  
FIG. 8 is a top front left perspective view thereof.

**1 Claim, 5 Drawing Sheets**

(56) **References Cited**  
U.S. PATENT DOCUMENTS

D579,412 S \* 10/2008 Mangone, Jr. .... D13/133  
D586,403 S \* 2/2009 Chambers ..... D20/43  
D601,567 S \* 10/2009 Lau ..... D13/154  
D727,848 S \* 4/2015 Burgett ..... D13/133  
D757,695 S \* 5/2016 Hurles ..... D14/240  
D849,692 S \* 5/2019 Marsden ..... D13/156



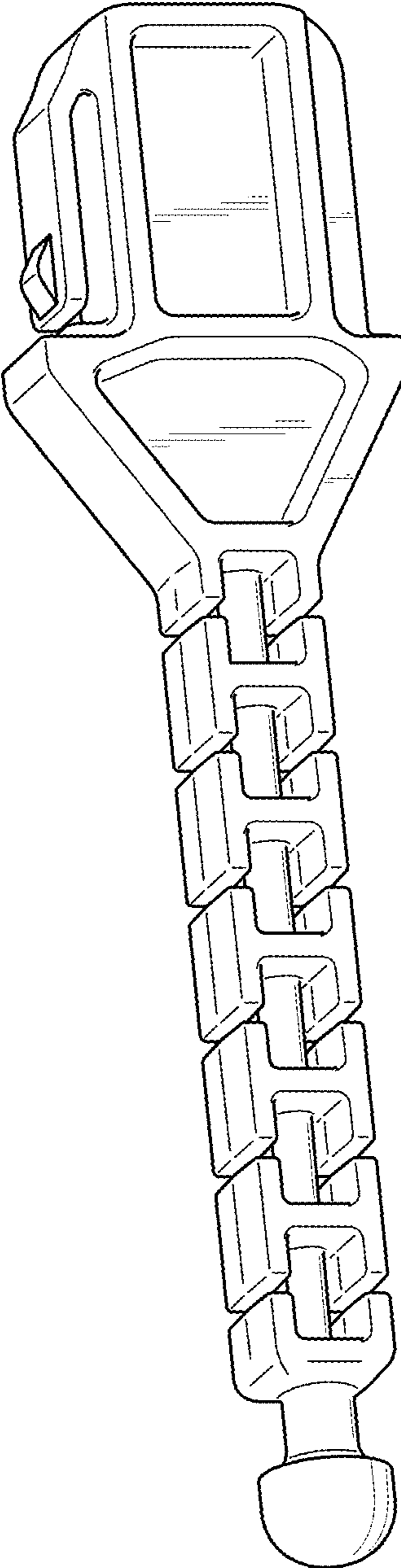
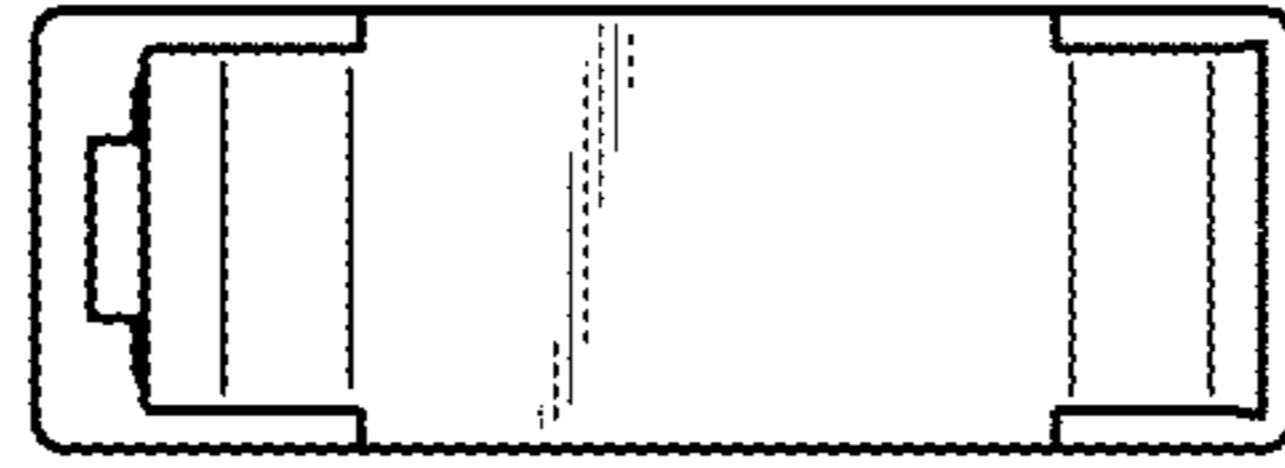
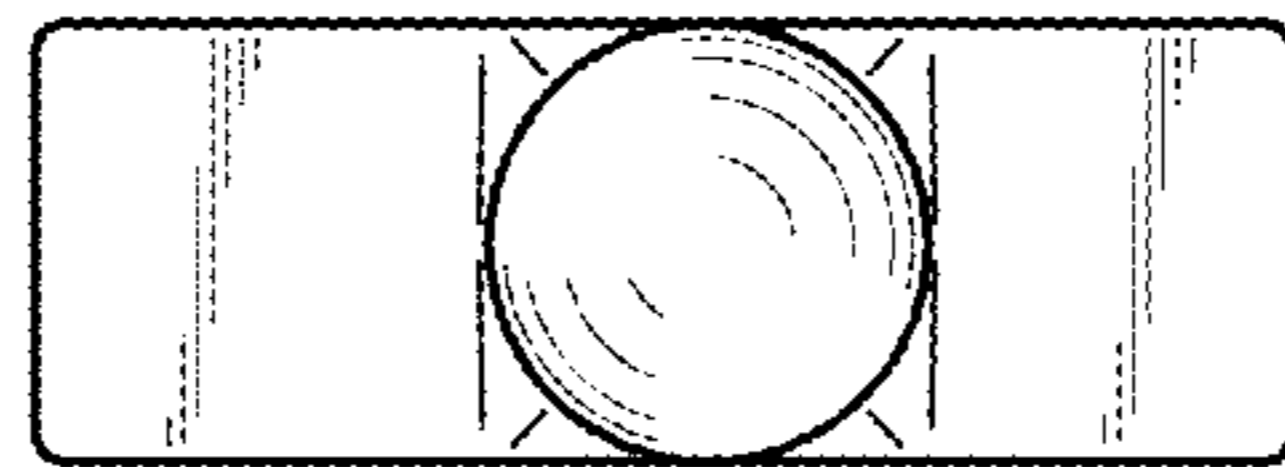


Fig. 1



**Fig. 3**



**Fig. 2**

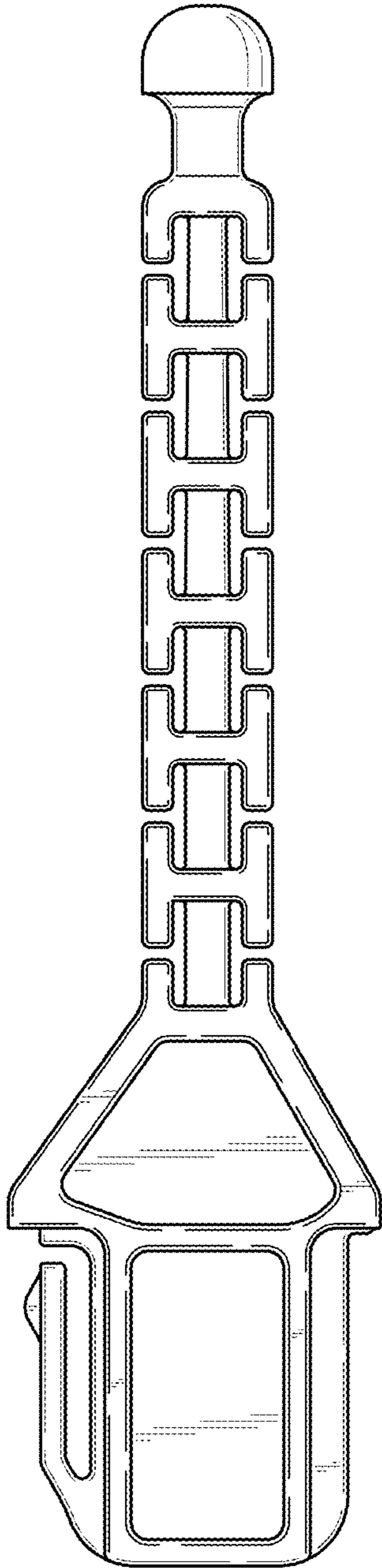


Fig. 4

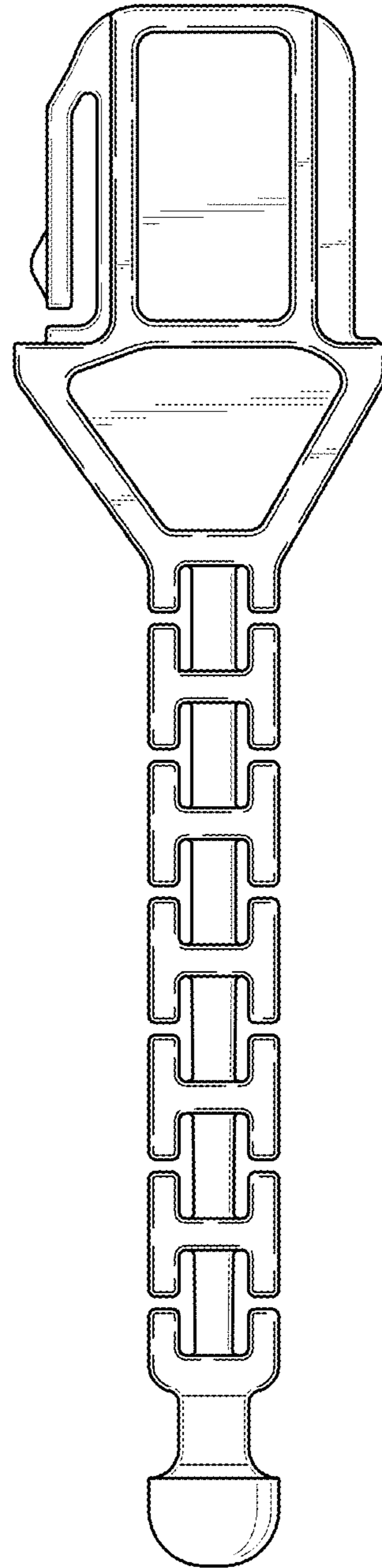
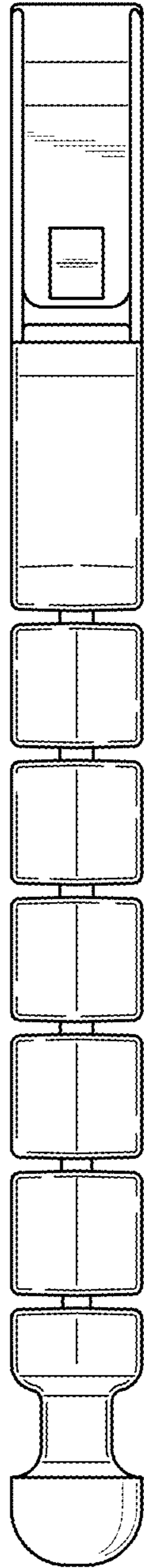
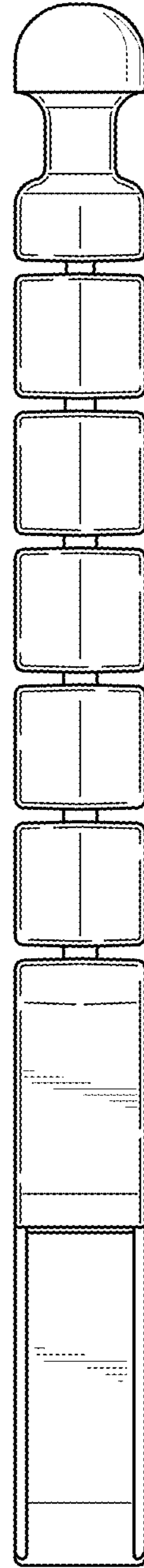


Fig. 5



**Fig. 6**



**Fig. 7**

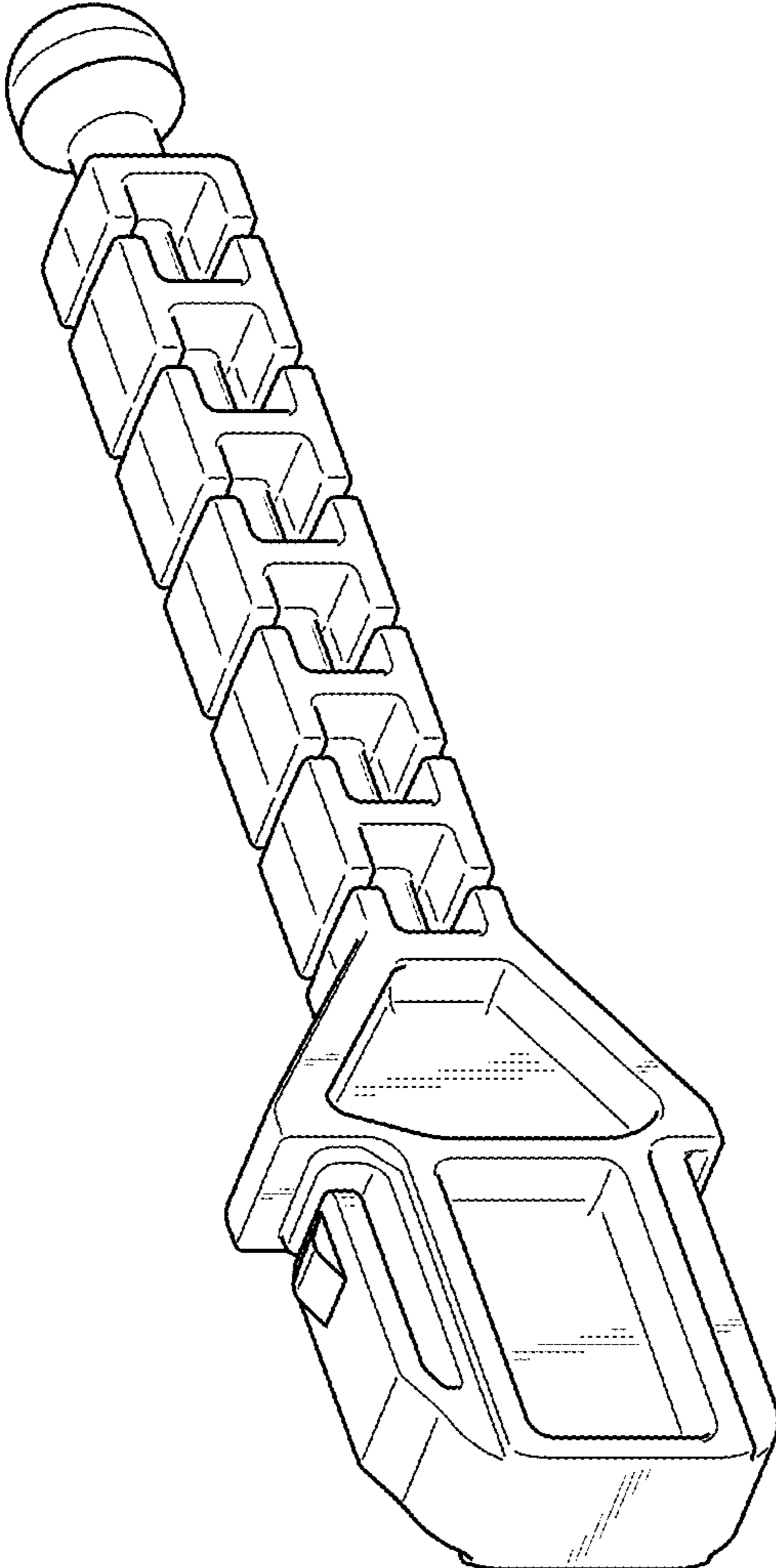


Fig. 8