



US00D941283S

(12) **United States Design Patent** (10) **Patent No.:** **US D941,283 S**
Zhang et al. (45) **Date of Patent:** **** Jan. 18, 2022**

(54) **TELEPHONE HANDSET HOLDER**

(71) Applicant: **YEALINK (XIAMEN) NETWORK TECHNOLOGY CO., LTD.**, Fujian (CN)

(72) Inventors: **Jiancheng Zhang**, Fujian (CN);
Jingfeng Su, Fujian (CN)

(73) Assignee: **YEALINK (XIAMEN) NETWORK TECHNOLOGY CO., LTD.**, Xiamen (CN)

(**) Term: **15 Years**

(21) Appl. No.: **29/679,175**

(22) Filed: **Feb. 2, 2019**

(51) **LOC (13) Cl.** **14-03**

(52) **U.S. Cl.**
USPC **D14/253**; D14/151

(58) **Field of Classification Search**

USPC D14/251–253, 142, 144, 149, 150, 151,
D14/203.8, 209.1, 217, 238.1, 401, 440,
D14/447, 434; D12/415; D3/218, 247,
D3/249; D13/108; D6/310; D8/353;
D16/237, 239; D26/51, 37, 38, 44;
D21/333
CPC H04M 1/04; H04M 1/21; H04M 1/0266;
F16M 13/00; F16M 11/041; B60R
11/0241; B60R 11/0252; B60R
2011/0059; B60R 2011/0063; B60R
2011/0005; B60R 2011/0003; B60R
2011/0078; H02J 7/0027; H02J 2310/22;
A45F 2200/0516; A45F 5/00; A45F
2200/0525; A45F 5/10; A45C 2011/002;
G03B 17/561; G03B 27/582; A47B
97/04; G09F 1/00

See application file for complete search history.

(56) **References Cited**

U.S. PATENT DOCUMENTS

898,898	A *	9/1908	Kahn	F16C 11/106 379/450
1,261,705	A *	4/1918	Collamore	B60R 11/0241 379/446
D158,060	S *	4/1950	Flatter et al.	D14/253
D161,971	S *	2/1951	Sowers	D14/251
2,625,612	A *	1/1953	Rheins	H04M 1/05 379/449
D170,086	S *	7/1953	Harmon	D14/253
2,658,116	A *	11/1953	Skantze	H04M 1/06 379/447
2,683,778	A *	7/1954	Gilmore	H04M 1/667 379/445
D192,921	S *	5/1962	Brau et al.	D14/252
D215,006	S *	8/1969	Behring	D14/253
D229,944	S *	1/1974	Eddy	D14/253
D233,385	S *	10/1974	Friedman	D6/553
D252,571	S *	8/1979	Hancock	D14/253
D261,510	S *	10/1981	Havens	379/449
D326,268	S *	5/1992	Le Tixerant	D14/251

(Continued)

Primary Examiner — Janice Hallmark

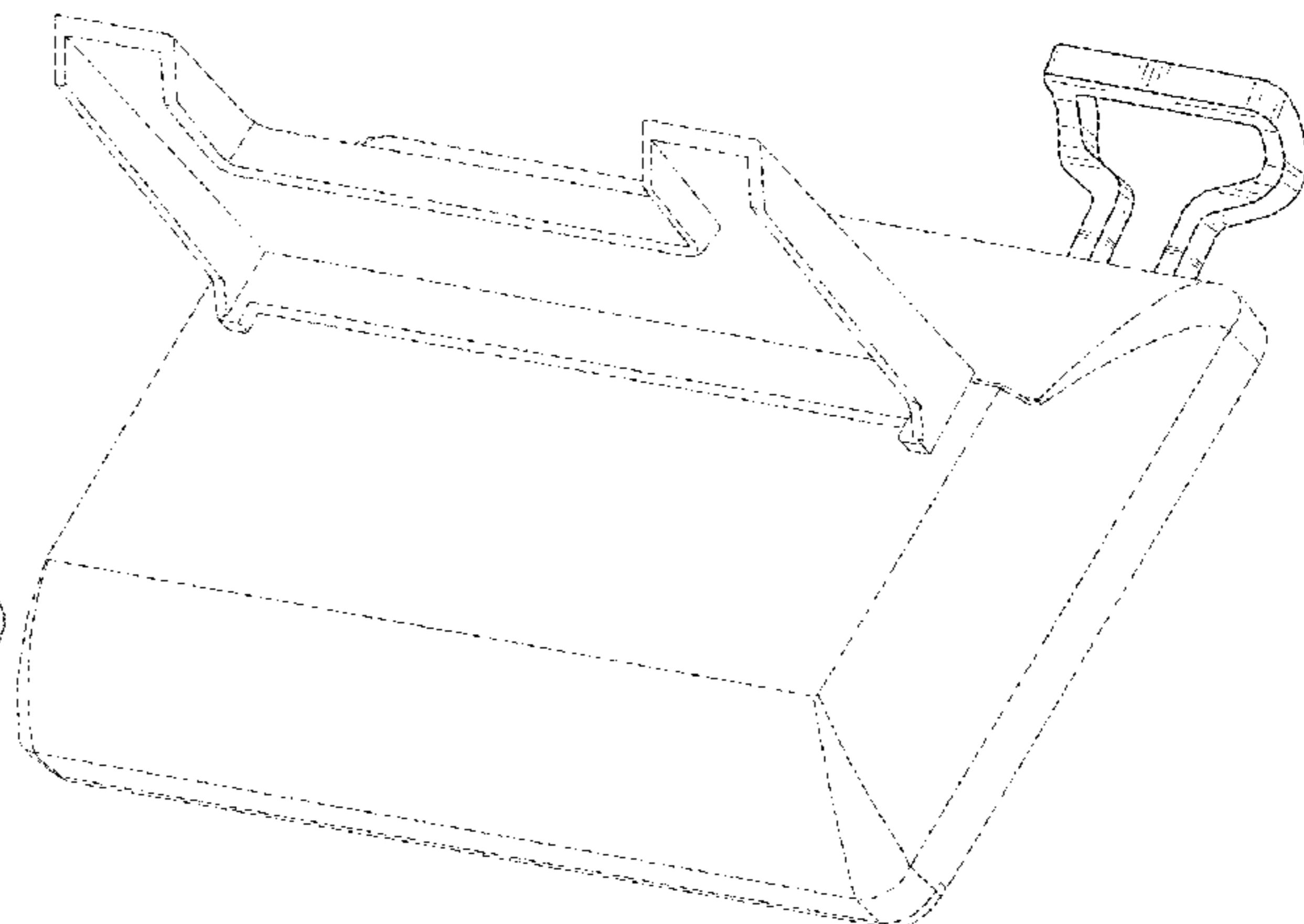
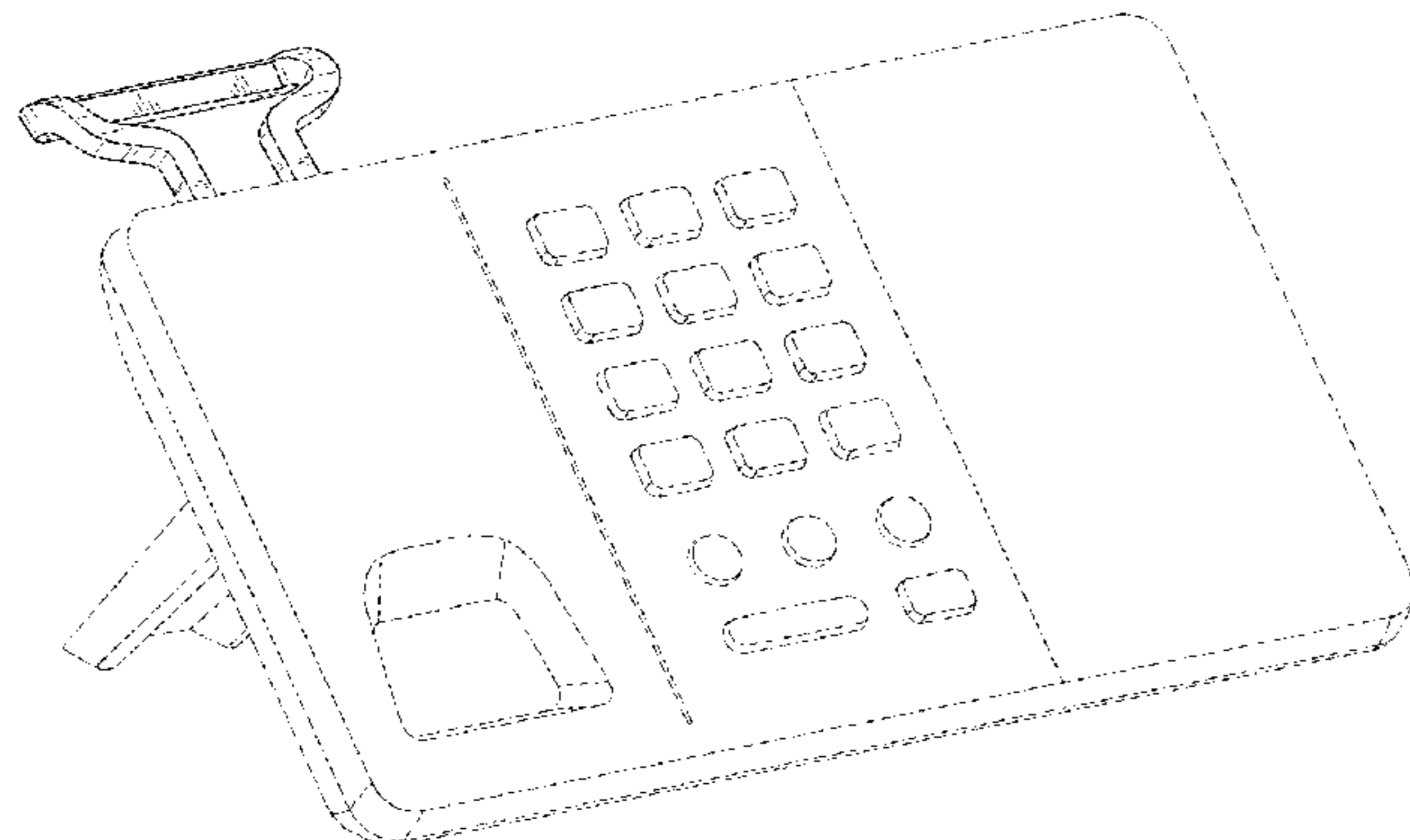
(57) **CLAIM**

The ornamental design for a telephone handset holder, as shown and described.

DESCRIPTION

FIG. 1 is a front elevational view of a telephone handset holder showing our new design;
FIG. 2 is a rear elevational view thereof;
FIG. 3 is a left side view thereof;
FIG. 4 is a right side view thereof;
FIG. 5 is a top plan view thereof;
FIG. 6 is a bottom plan view thereof;
FIG. 7 is a front and left side perspective view thereof; and,
FIG. 8 is a rear and left side perspective view thereof.
The broken lines in the drawings illustrate environmental subject matters that form no part of the claimed design.

1 Claim, 7 Drawing Sheets



(56)

References Cited

U.S. PATENT DOCUMENTS

D326,856 S *	6/1992	Hare	D14/253
D398,302 S *	9/1998	Lio	D14/130
D478,561 S *	8/2003	Petersen	D14/151
10,455,067 B1 *	10/2019	Meyberg Guzman ..	H04M 1/06
D909,328 S *	2/2021	Zhang	D14/151
D909,981 S *	2/2021	Zhang	D14/151

* cited by examiner

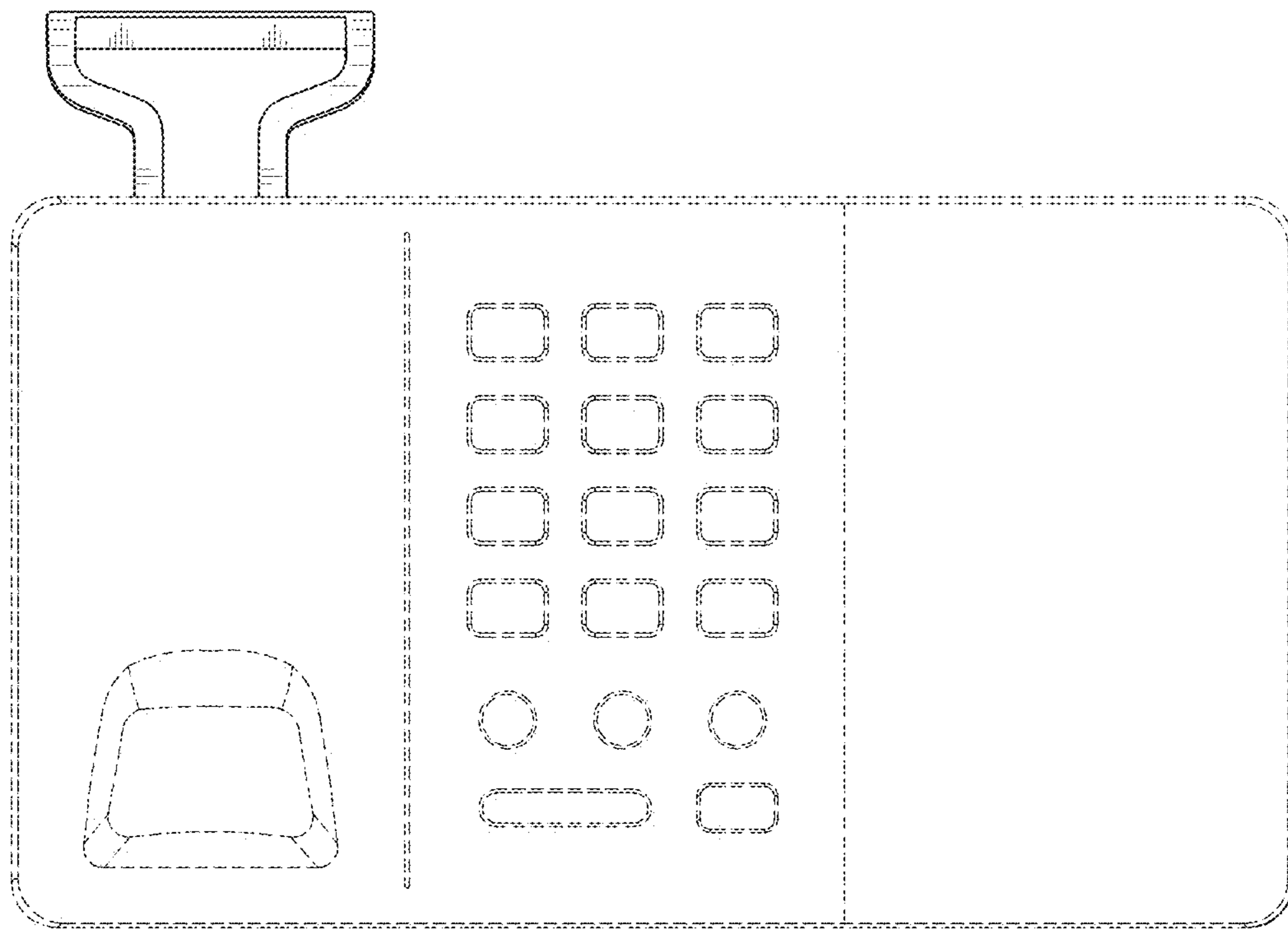


FIG. 1

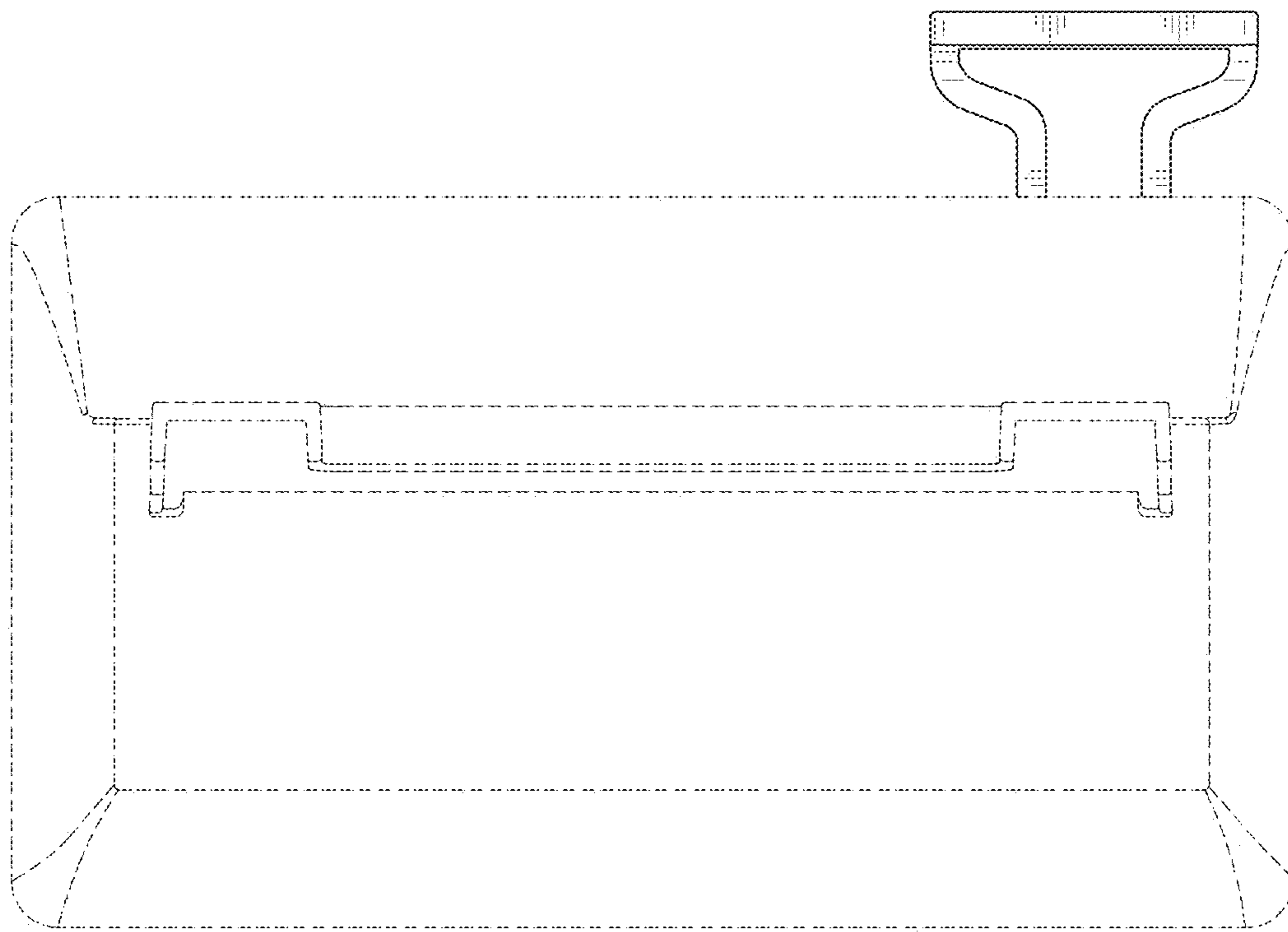


FIG.2

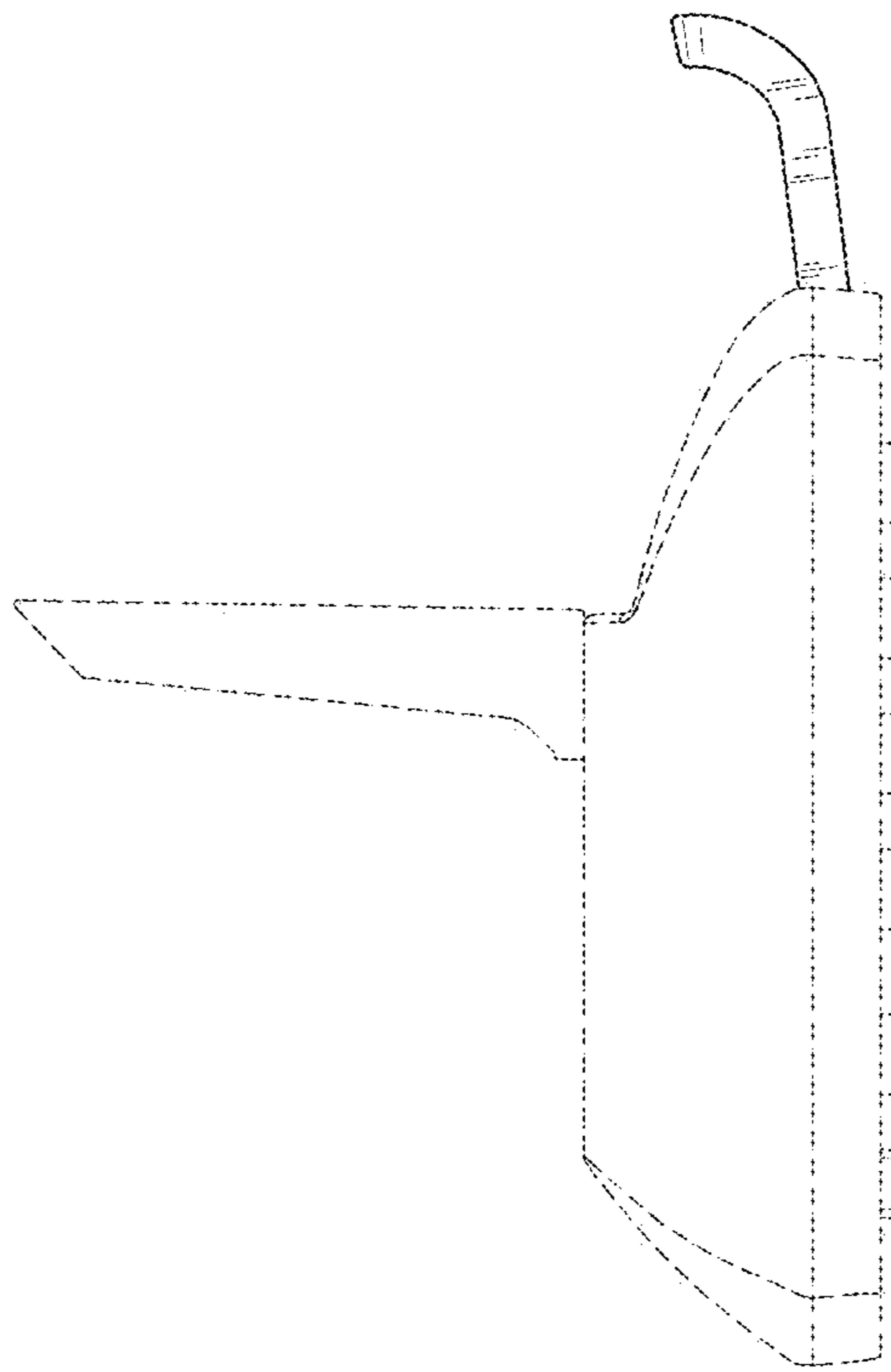


FIG.3

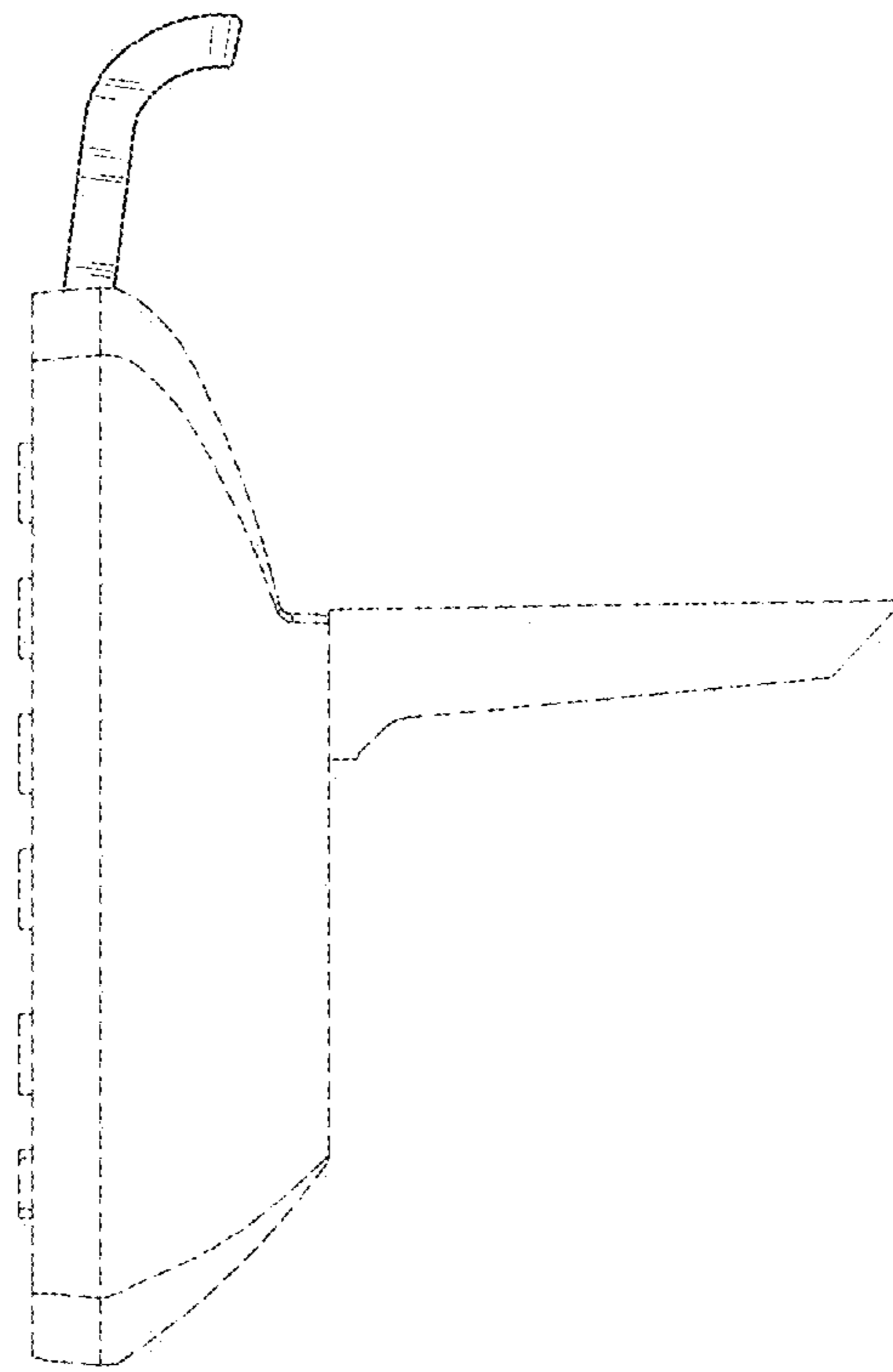


FIG.4

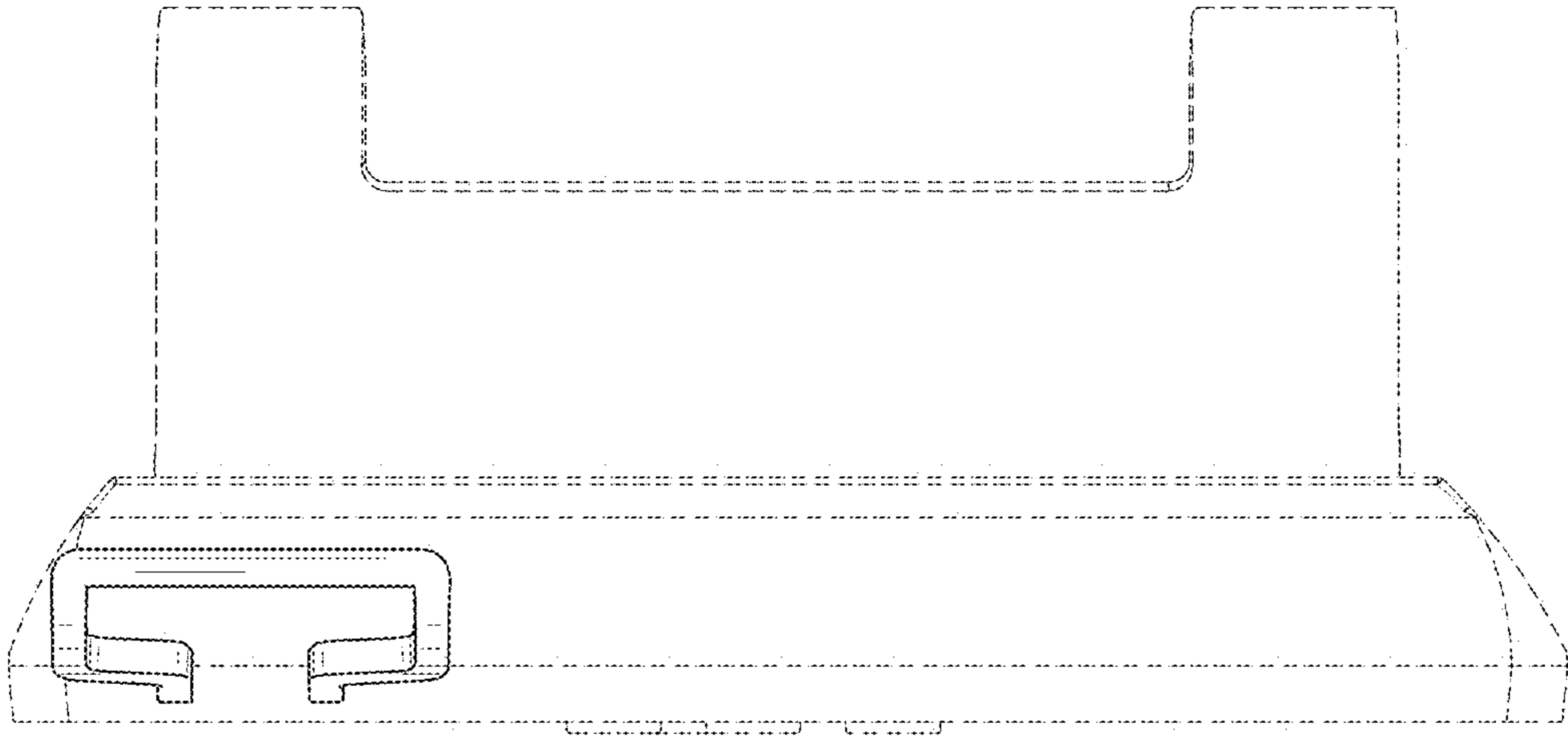


FIG.5

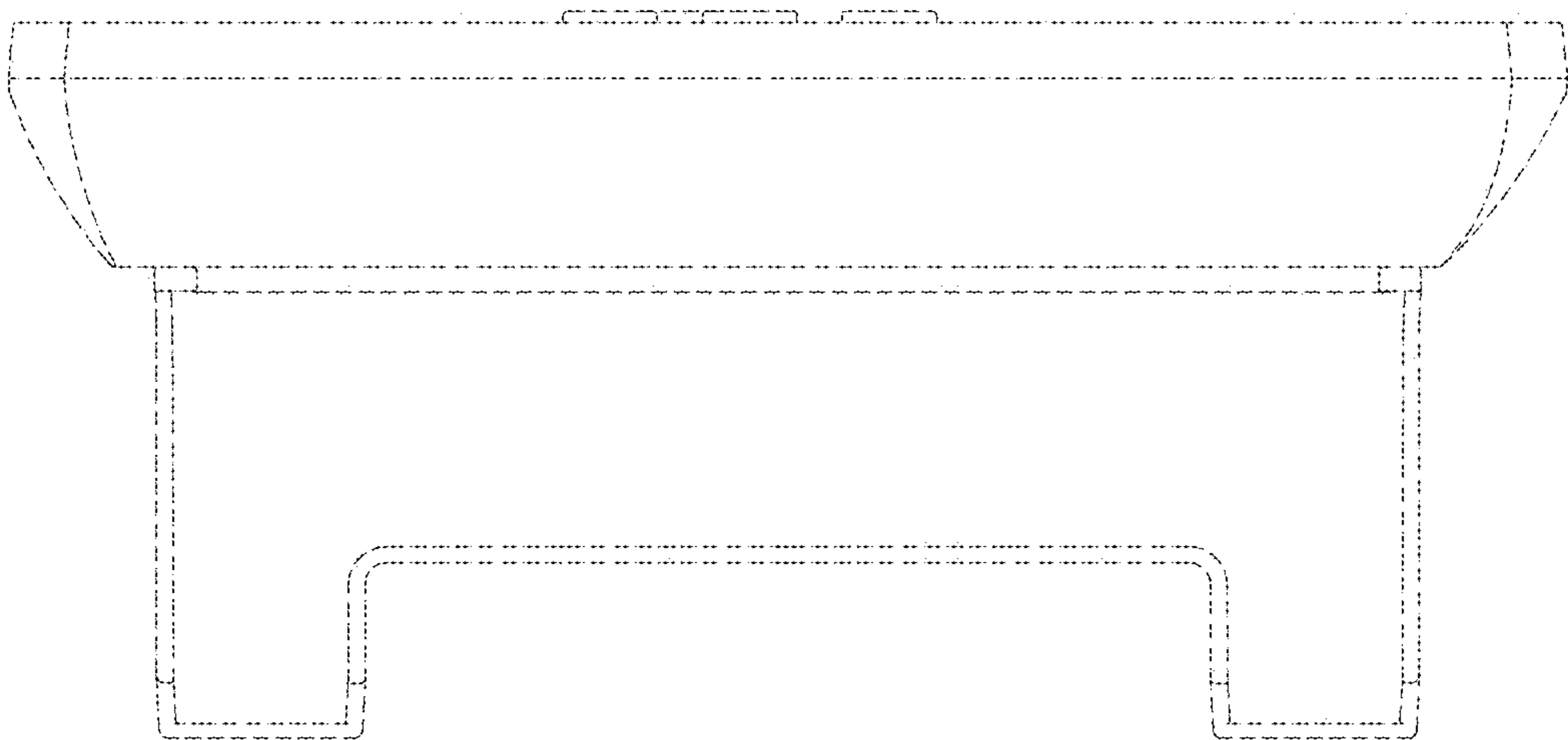


FIG.6

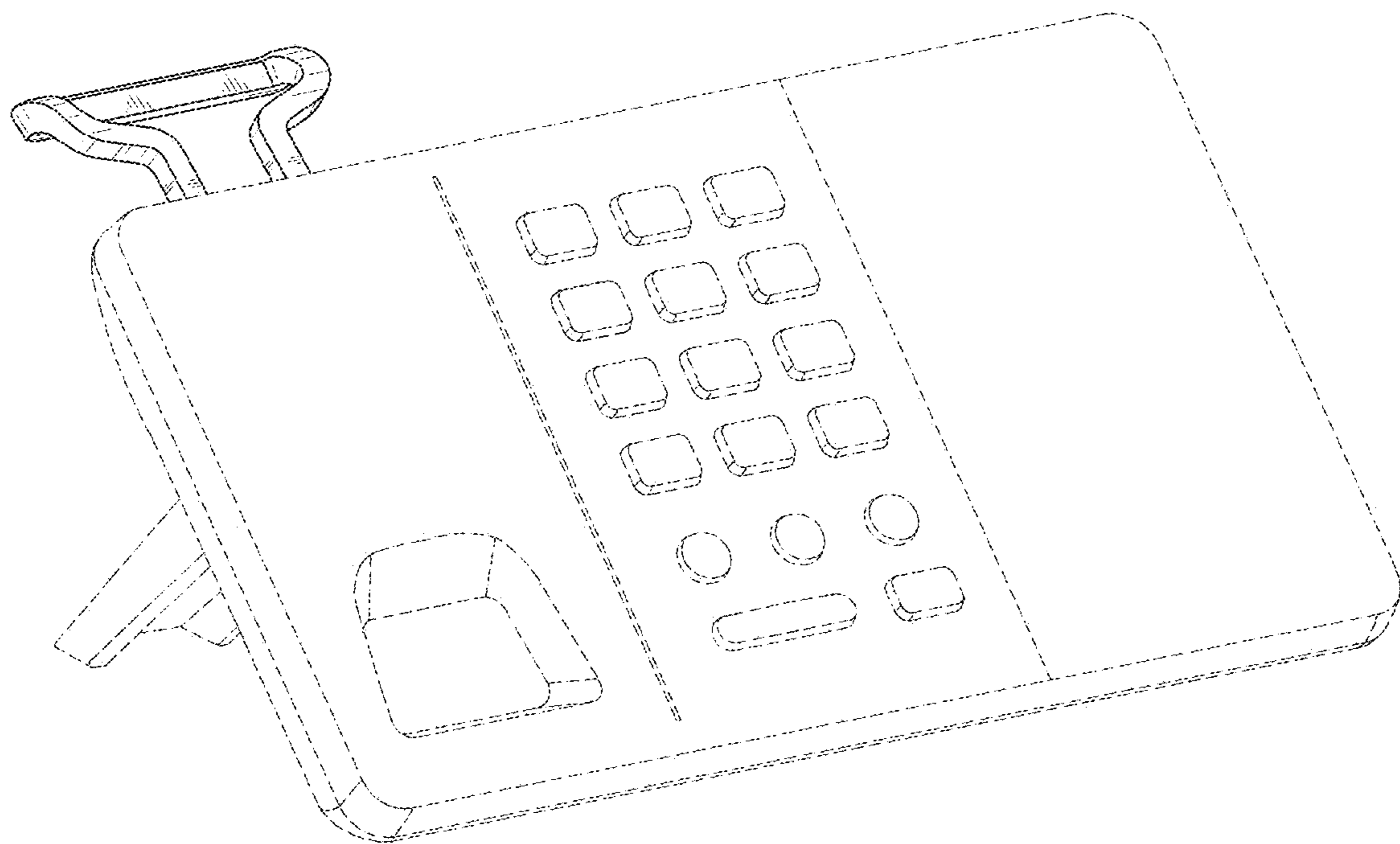


FIG.7

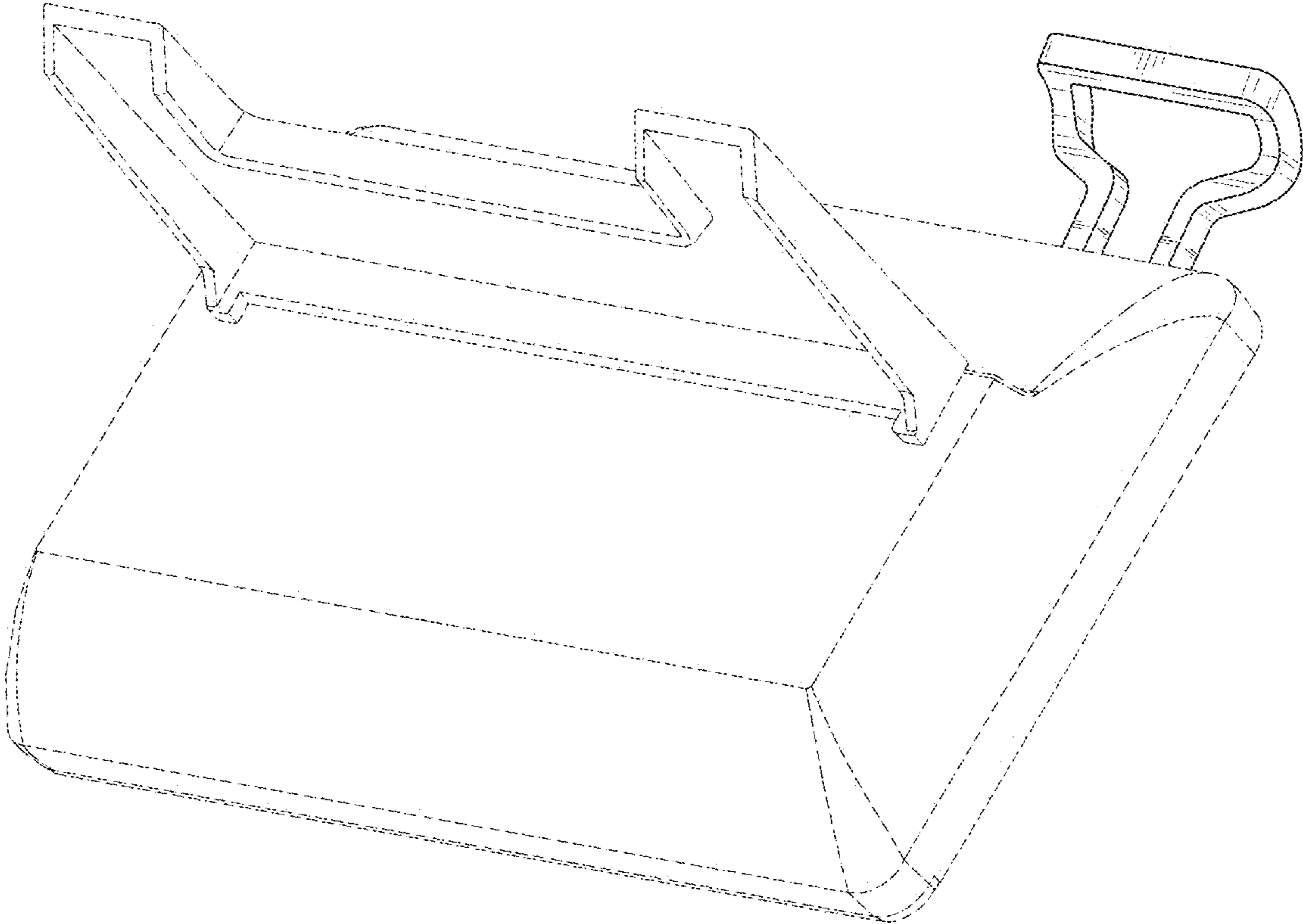


FIG.8