

US00D941276S

(12) **United States Design Patent**
Levy et al.

(10) **Patent No.:** **US D941,276 S**
(45) **Date of Patent:** **** Jan. 18, 2022**

- (54) **EARBUD**
- (71) Applicant: **Navajo Manufacturing Company, Inc., Denver, CO (US)**
- (72) Inventors: **Gordon Levy, Golden, CO (US); Shawn Shelton, Highlands Ranch, CO (US)**
- (73) Assignee: **Navajo Manufacturing Company, Inc., Denver, CO (US)**

- D662,493 S * 6/2012 Chen D14/223
- D681,015 S * 4/2013 Akana H04R 1/1016
D14/223
- D706,643 S 6/2014 Akana et al.
- D718,284 S * 11/2014 Shibusawa D14/223
- 9,042,588 B2 * 5/2015 Aase H04R 1/1041
381/380
- D732,008 S 6/2015 Akana et al.
- D733,101 S * 6/2015 Pi D14/223
- D738,864 S * 9/2015 Lee D14/223
- D741,287 S * 10/2015 Harata D14/205
- D757,682 S * 5/2016 Perez D14/205

(**) Term: **15 Years**

- (21) Appl. No.: **29/734,034**
- (22) Filed: **May 8, 2020**
- (51) **LOC (13) Cl.** **14-01**
- (52) **U.S. Cl.**
USPC **D14/223**
- (58) **Field of Classification Search**
USPC D14/223, 205; D24/174; 128/864, 865,
128/866; 381/380, 381, 322, 328;
455/90.3, 575.1, 569.1
CPC H04R 1/10; H04R 25/00; H04R 25/02;
H04R 1/1016; H04R 1/1066; H04R
5/033; H04R 5/0335; H04R 1/1091;
G06F 3/044
See application file for complete search history.

- FOREIGN PATENT DOCUMENTS
- CN 304257450 * 8/2017
 - CN 305086941 * 3/2019
- (Continued)

Primary Examiner — Paula Allen Greene
(74) *Attorney, Agent, or Firm* — Studebaker & Brackett PC

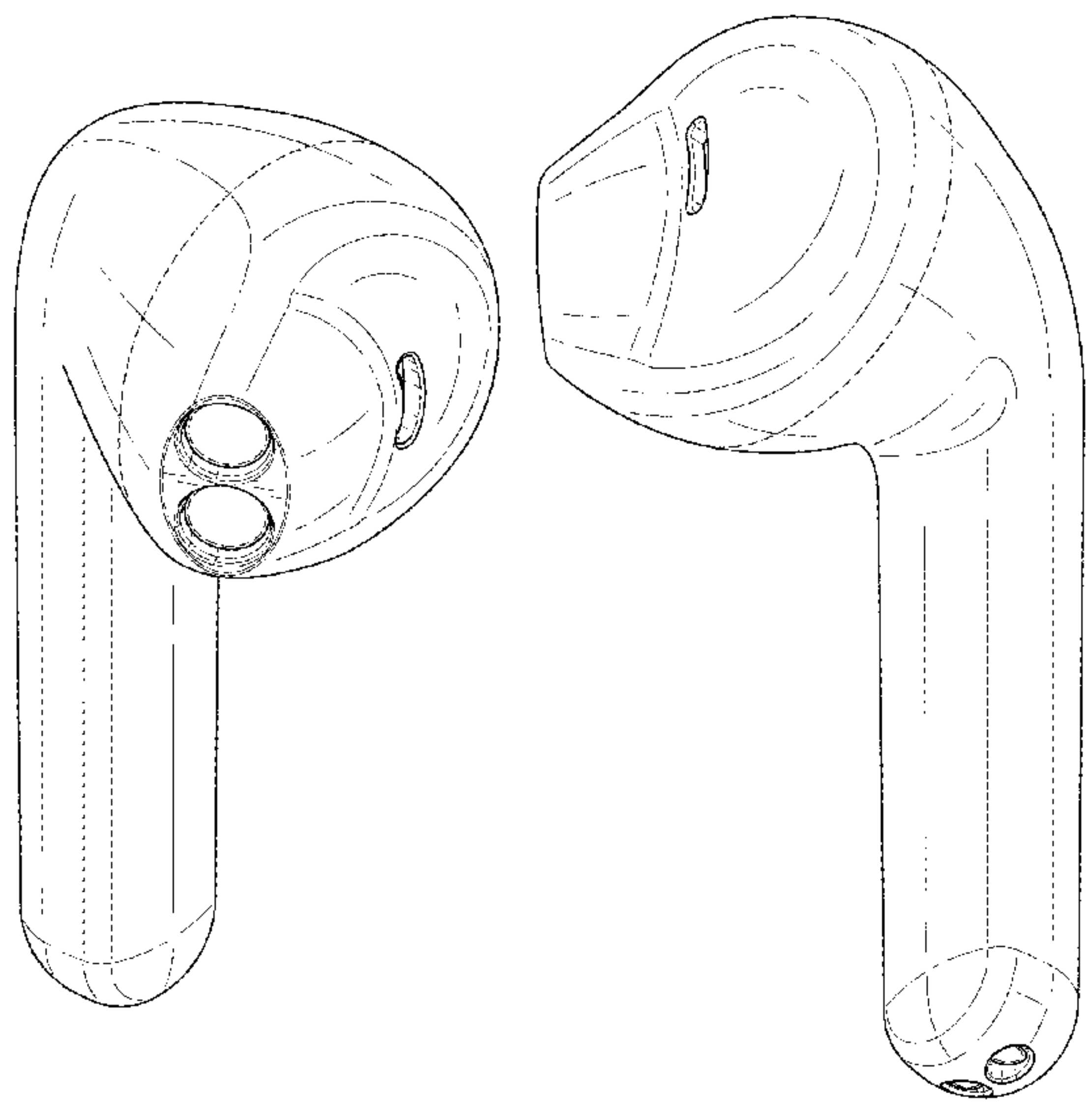
(57) **CLAIM**
The ornamental design for an earbud, as shown and described.

DESCRIPTION

FIG. 1 is a front perspective view showing our new design for an earbud,
FIG. 2 is a rear perspective view thereof,
FIG. 3 is a right side view thereof,
FIG. 4 is a left side view thereof,
FIG. 5 is a top view thereof,
FIG. 6 is a bottom view thereof,
FIG. 7 is a front view thereof; and,
FIG. 8 is a rear view thereof.
The broken lines immediately adjacent the shaded areas represent the bounds of the claimed design while all other broken lines are directed to environment; the broken lines form no part of the claimed design.

1 Claim, 4 Drawing Sheets

- (56) **References Cited**
U.S. PATENT DOCUMENTS
- 6,574,345 B1 * 6/2003 Huang H04R 1/1016
379/430
- 6,668,064 B1 * 12/2003 Lin H04R 1/1016
381/380
- D515,070 S * 2/2006 Andre D14/205
- D557,689 S * 12/2007 Huang D14/223
- D639,279 S * 6/2011 Andre D14/223
- D641,738 S * 7/2011 Perez D14/223
- D652,823 S * 1/2012 Chen H04R 1/1016
D14/223



(56)

References Cited

U.S. PATENT DOCUMENTS

D769,849 S 10/2016 Akana et al.
 D770,412 S * 11/2016 Son D14/205
 D801,314 S * 10/2017 Akana D14/223
 D803,184 S * 11/2017 Loh Jun Kern D14/205
 D820,809 S 6/2018 Akana et al.
 D821,363 S * 6/2018 Chen D14/223
 D847,125 S 4/2019 Akana et al.
 D849,401 S 5/2019 Akana et al.
 D864,169 S * 10/2019 Min D14/223
 D867,325 S 11/2019 Akana et al.
 D869,445 S * 12/2019 Hu D14/223
 D878,045 S 3/2020 Akana et al.
 D878,337 S * 3/2020 Yang D14/223
 D885,373 S * 5/2020 Lundback D14/223
 D889,436 S * 7/2020 Zhang D14/223
 D890,724 S * 7/2020 Li D14/223
 D896,788 S * 9/2020 Akana D14/223
 D897,997 S * 10/2020 Zhang D14/223
 D900,065 S * 10/2020 Distefano D14/223
 D903,639 S * 12/2020 Yang D14/223
 D905,017 S * 12/2020 Chen D14/223
 D912,017 S * 3/2021 Chen D14/223
 D914,652 S * 3/2021 Chen D14/223
 D920,293 S * 5/2021 Chen D14/223
 D924,209 S * 7/2021 Wu D14/223
 D924,851 S * 7/2021 Li D14/223
 D925,500 S * 7/2021 Chen D14/223
 D926,733 S * 8/2021 Wu D14/223
 D930,621 S * 9/2021 Rong D14/223

D930,623 S * 9/2021 Liu D14/223
 D931,258 S * 9/2021 Ding D14/223
 D931,838 S * 9/2021 Deng D14/223
 D932,468 S * 10/2021 Xin D14/223
 D932,472 S * 10/2021 Wang D14/223
 D934,202 S * 10/2021 Liu D14/223
 D934,204 S * 10/2021 Liao D14/223
 D934,563 S * 11/2021 Xiang D3/294
 2010/0246879 A1 * 9/2010 Siahaan H04R 1/1058
 381/380
 2012/0237074 A1 * 9/2012 Aase H04R 1/1075
 381/380
 2013/0004011 A1 * 1/2013 Hayashida H04R 1/345
 381/380
 2020/0100010 A1 * 3/2020 Yang H04R 1/1041
 2021/0014603 A1 * 1/2021 Wei G06F 3/044
 2021/0099799 A1 * 4/2021 Saux H04R 1/1083

FOREIGN PATENT DOCUMENTS

CN 305485296 * 12/2019
 CN 305697351 * 4/2020
 CN 306189503 * 11/2020
 CN 306210300 * 12/2020
 CN 306308595 * 2/2021
 CN 306531563 * 5/2021
 CN 306569991 * 5/2021
 CN 306907308 * 10/2021
 GB 9007065123-0004 * 10/2019
 JP D1698969 * 10/2021

* cited by examiner

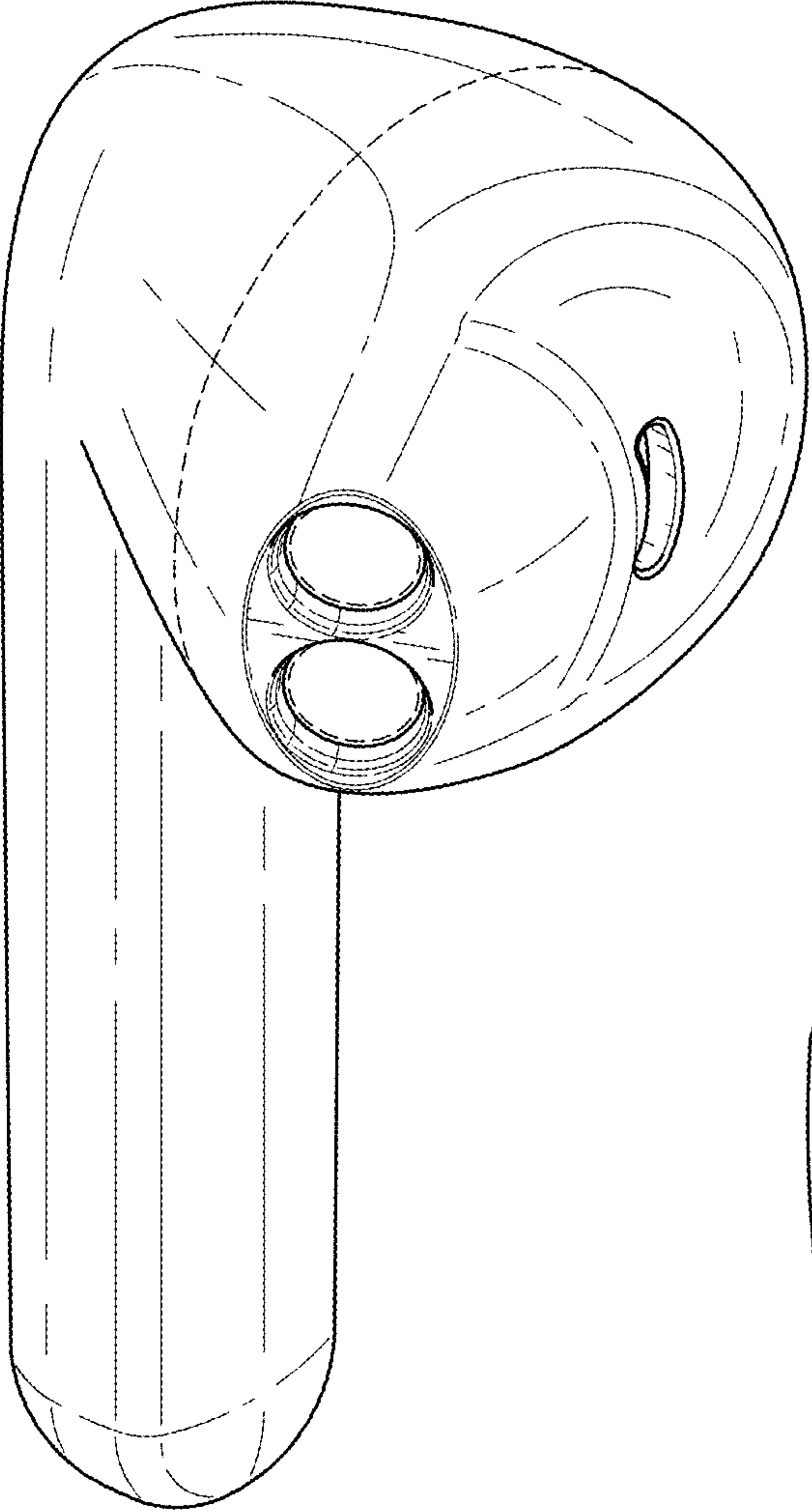


FIG. 1

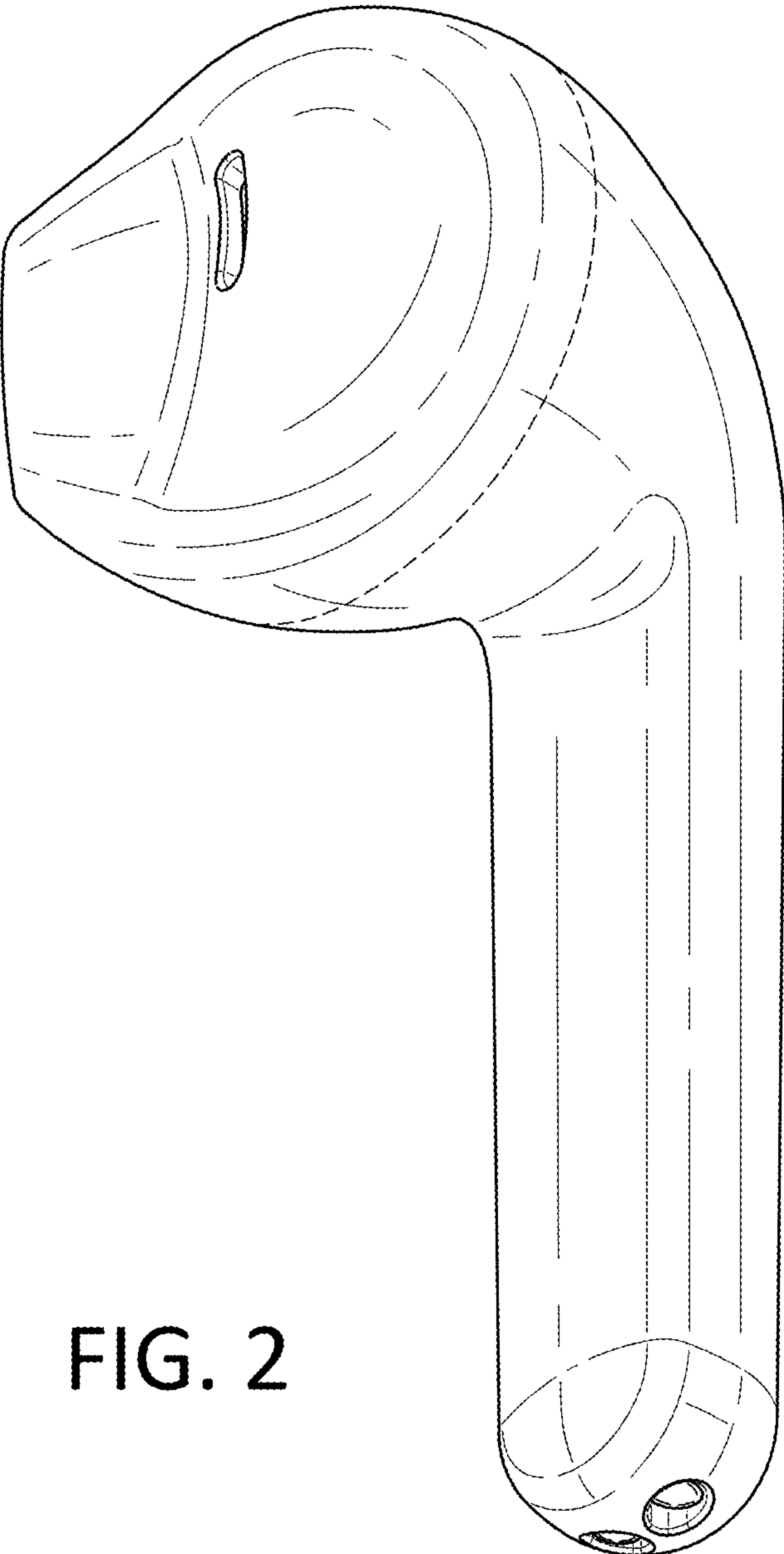


FIG. 2

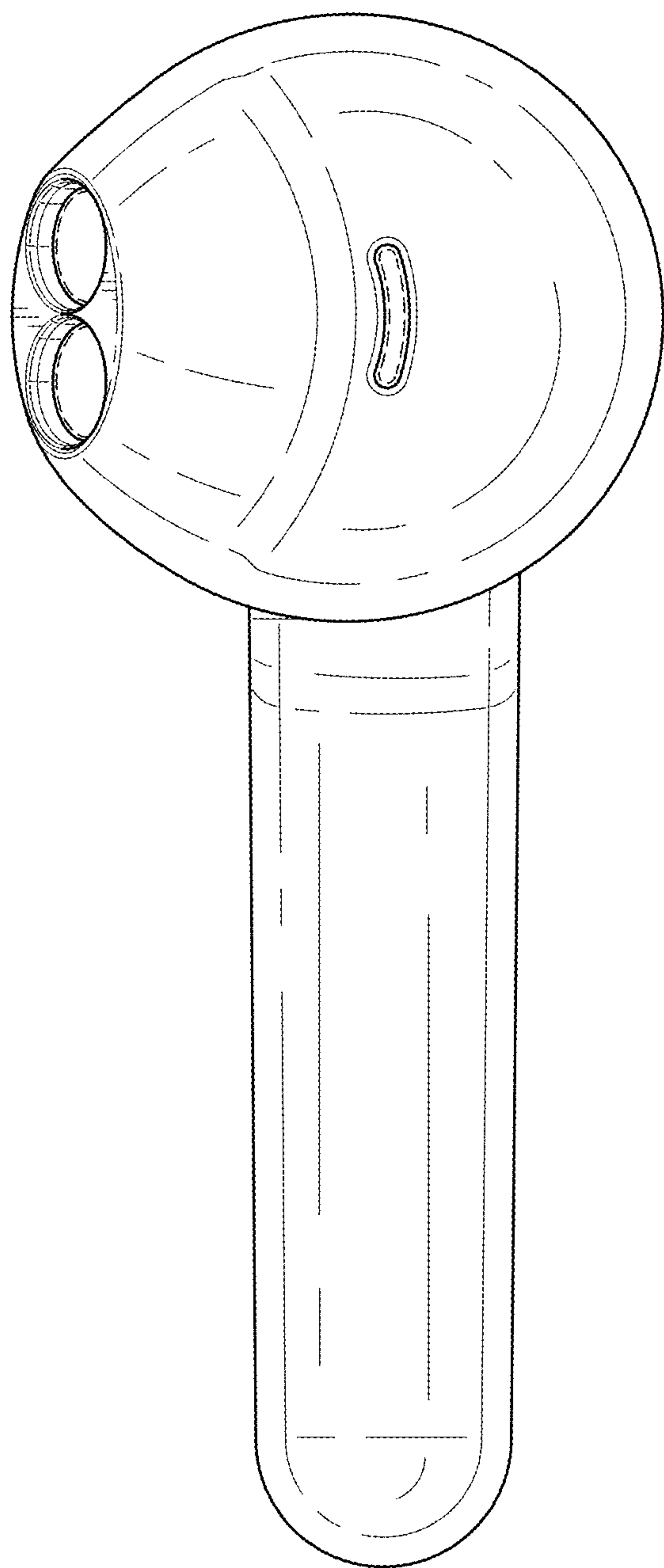


FIG. 3

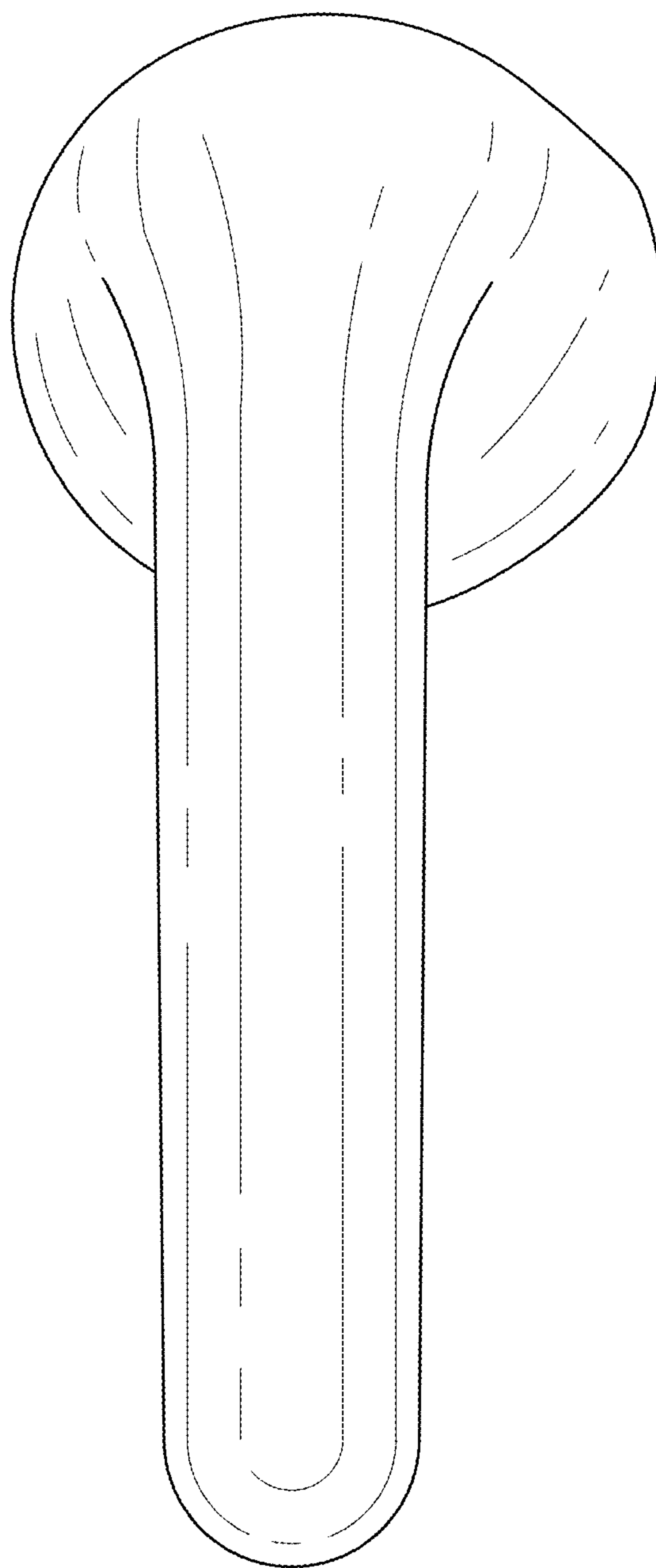


FIG. 4

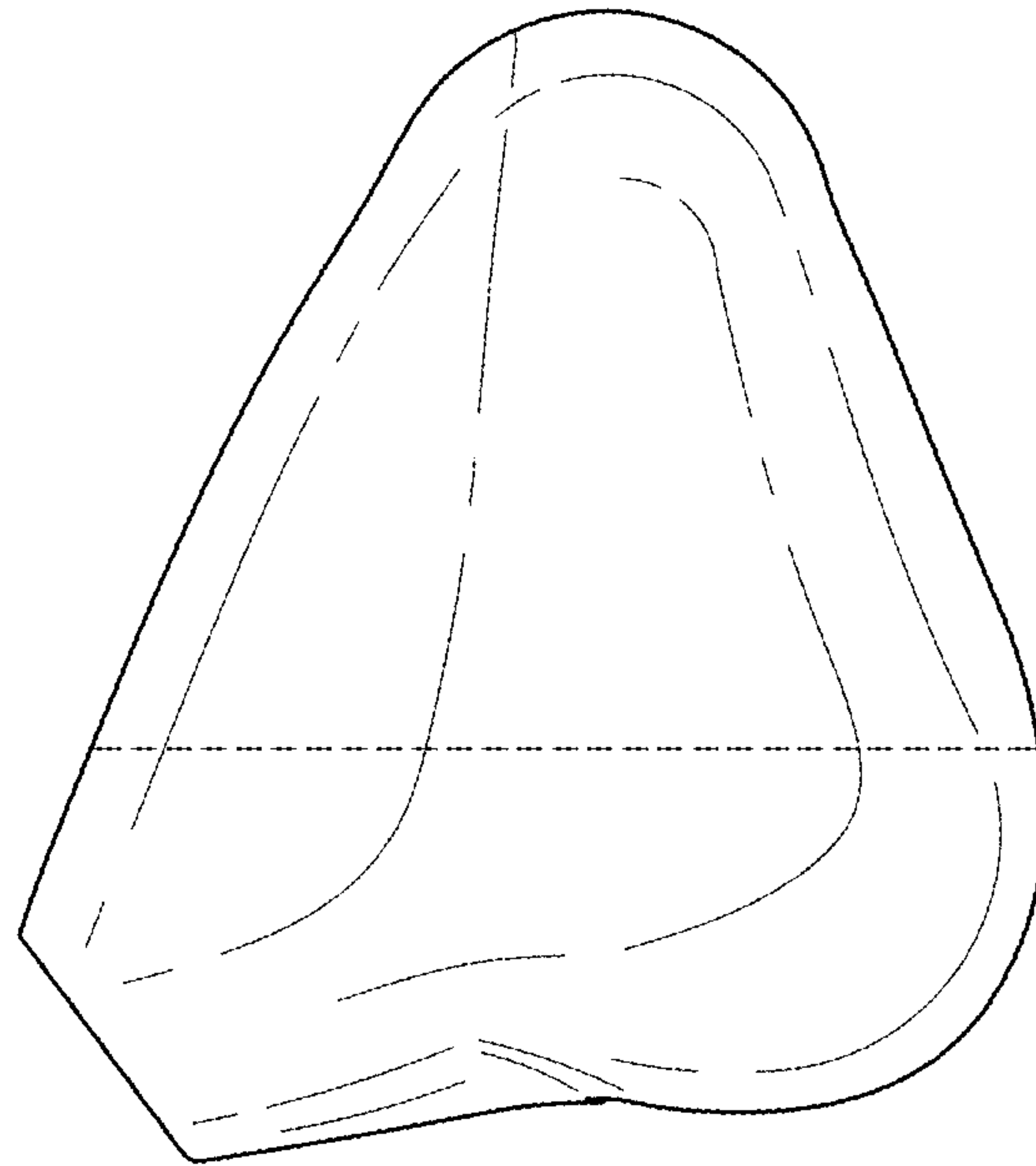


FIG. 5

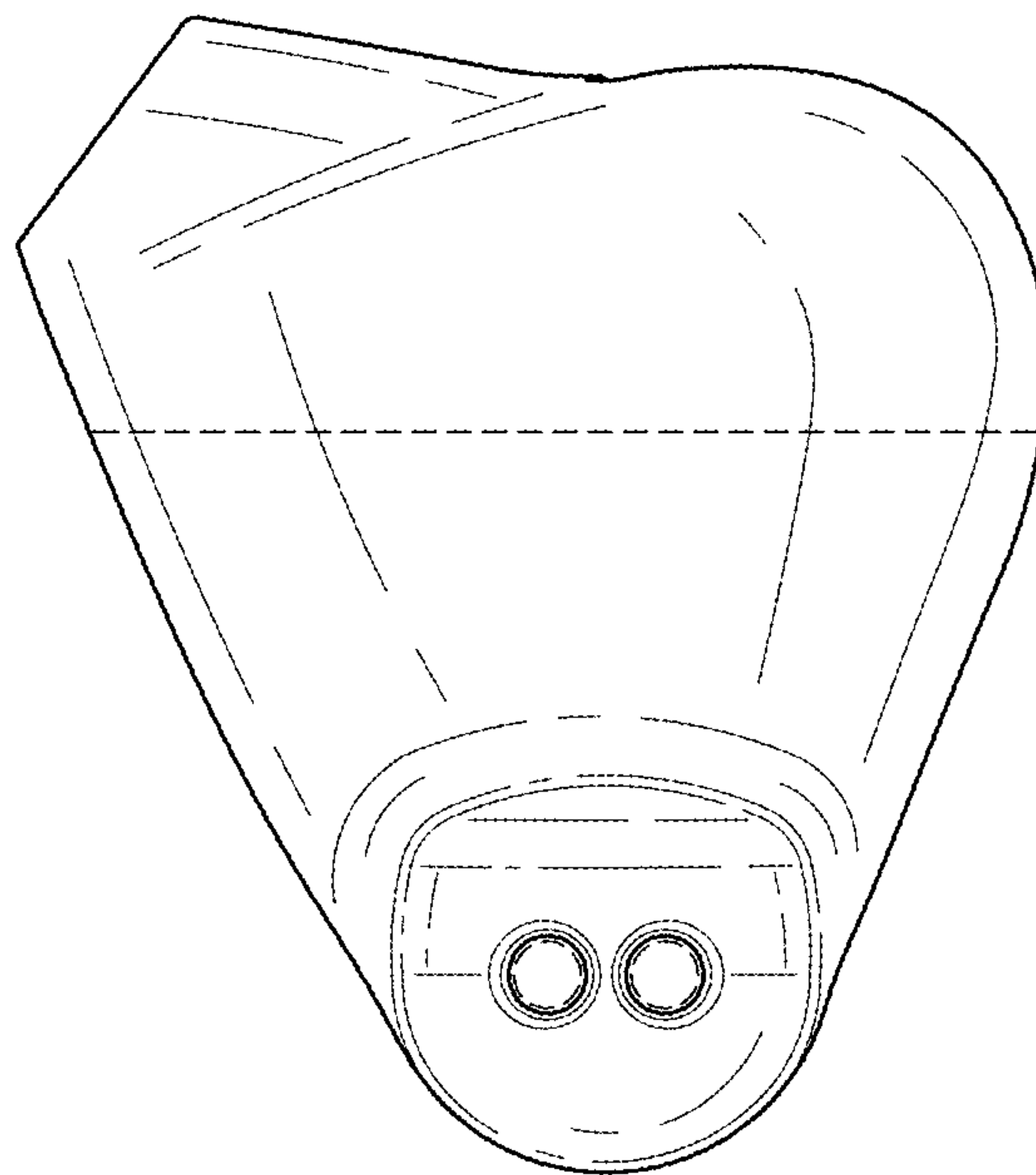


FIG. 6

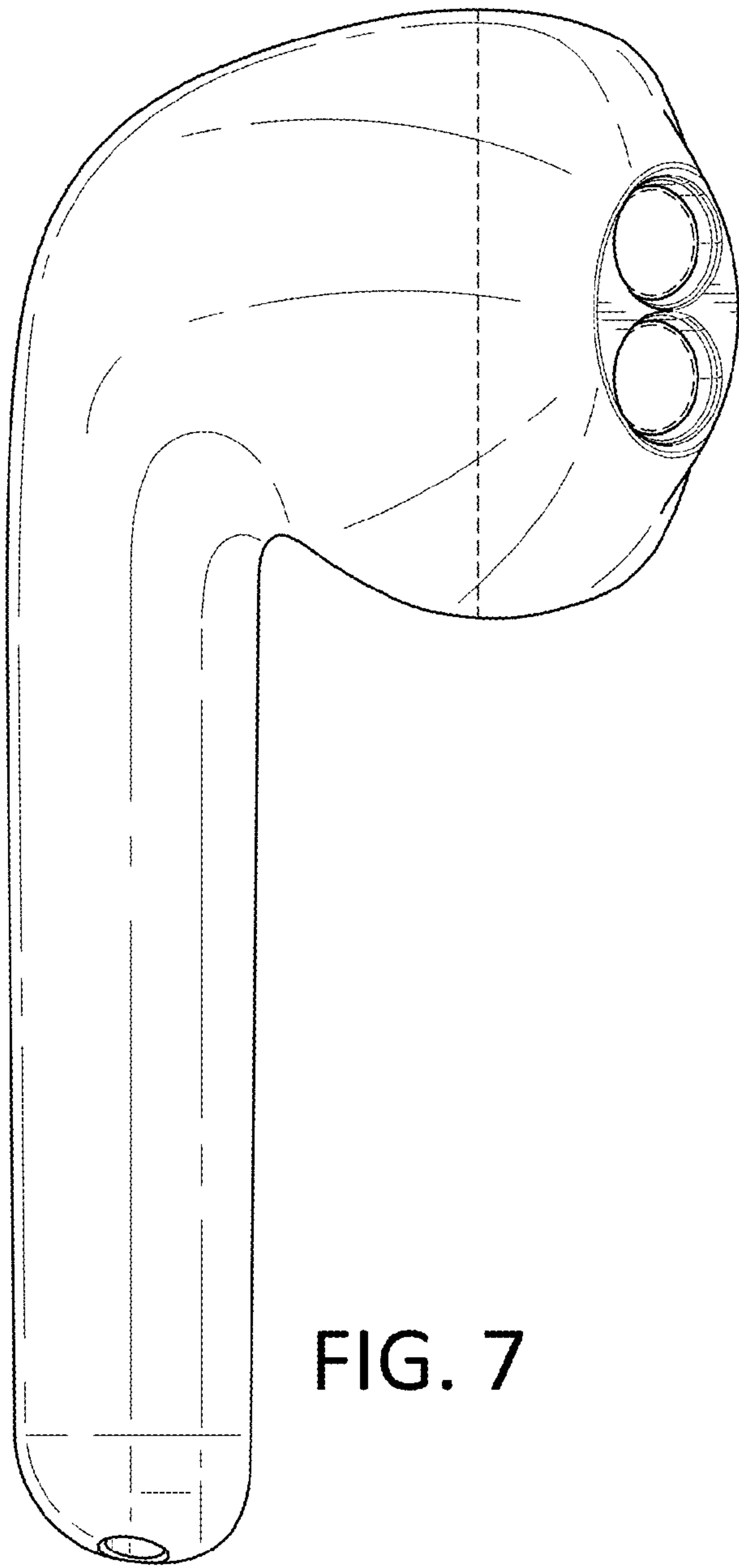


FIG. 7

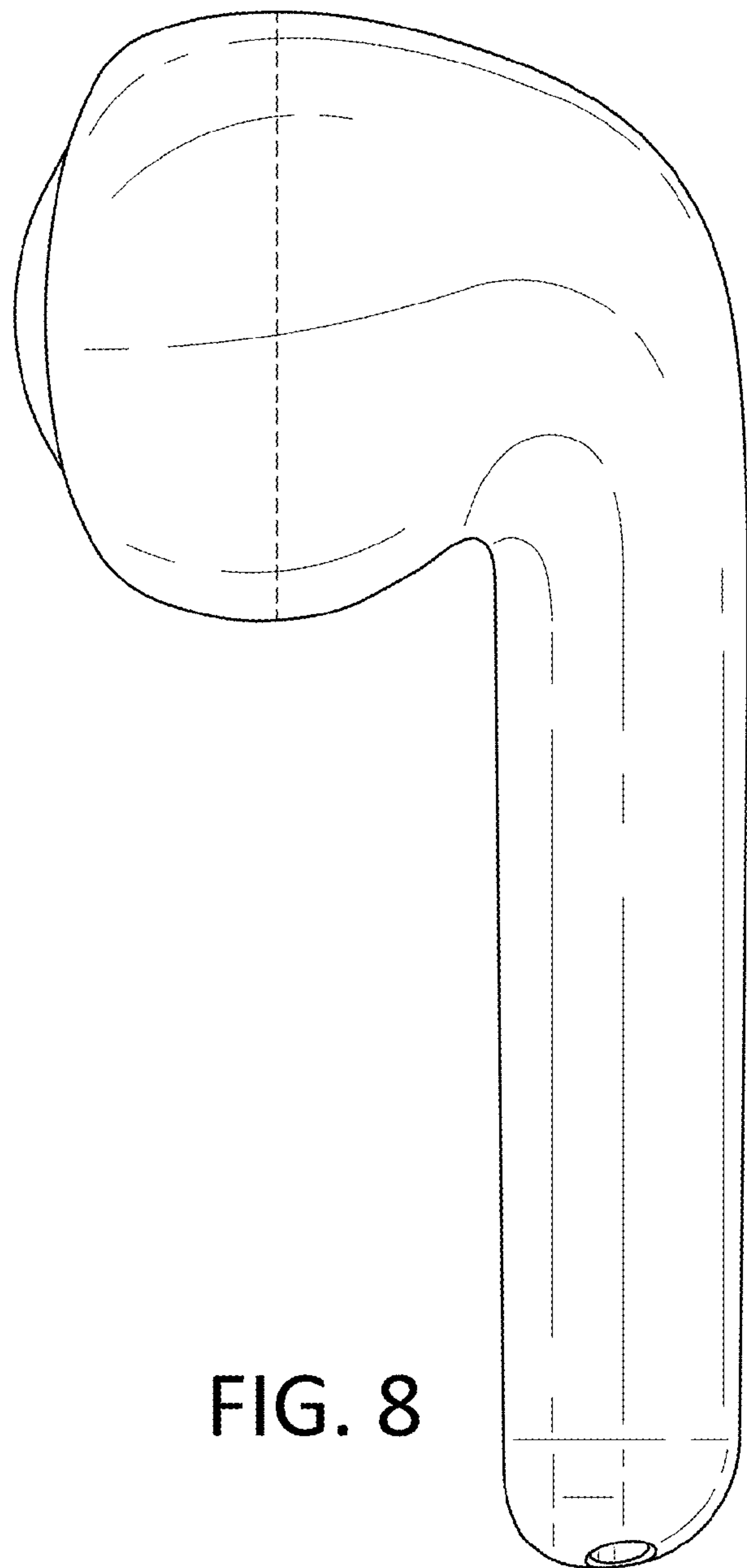


FIG. 8