



US00D941275S

(12) **United States Design Patent**  
**Liu et al.**

(10) **Patent No.:** **US D941,275 S**  
(45) **Date of Patent:** **\*\* Jan. 18, 2022**

(54) **PAIR OF EARBUDS**

(71) Applicant: **SHENZHEN GRANDSUN ELECTRONIC CO., LTD.**,  
Guangdong (CN)

(72) Inventors: **Lu Liu**, Shenzhen (CN); **Haiquan Wu**,  
Guangdong (CN); **Zhonghui Tang**,  
Shenzhen (CN); **Jiugao Peng**, Shenzhen  
(CN)

(73) Assignee: **Shenzhen Grandsun Electronic Co., LTD.**, Shenzhen (CN)

(\*\*) Term: **15 Years**

(21) Appl. No.: **29/722,015**

(22) Filed: **Jan. 24, 2020**

(30) **Foreign Application Priority Data**

Aug. 9, 2019 (CN) ..... 201930432204.6

(51) **LOC (13) Cl.** ..... **14-01**

(52) **U.S. Cl.**  
USPC ..... **D14/223**

(58) **Field of Classification Search**  
USPC ..... D14/223, 205; D24/174; 128/864, 865,  
128/866; 381/380, 381; 455/90.3, 575.1,  
455/569.1  
CPC ..... H04R 1/10; H04R 25/00; H04R 25/02;  
H04R 1/1016; H04R 5/033; H04R  
5/0335; H04R 1/1058; H04R 1/1008;  
H04R 1/1083; H04R 1/105; H04R 1/1091  
See application file for complete search history.

(56) **References Cited**

**U.S. PATENT DOCUMENTS**

D184,840 S \* 4/1959 Voorlas ..... D13/167  
D300,528 S \* 4/1989 Drane ..... D13/171

D304,944 S \* 12/1989 Behringer ..... D14/188  
D305,022 S \* 12/1989 Hallgren ..... D13/171  
D321,881 S \* 11/1991 Hopewell ..... D14/192  
D374,658 S \* 10/1996 Bever ..... D13/171  
D464,630 S \* 10/2002 Woodworth ..... D13/171  
D469,411 S \* 1/2003 Decosse ..... D13/171  
D481,709 S \* 11/2003 Solderits ..... D14/223  
D529,901 S \* 10/2006 Ohta ..... D14/223  
D620,884 S \* 8/2010 Lee ..... D13/108  
D637,999 S \* 5/2011 Brunner ..... D14/205  
D642,163 S \* 7/2011 Lee ..... D14/223  
D666,580 S \* 9/2012 Lee ..... D14/223  
D694,182 S \* 11/2013 Lee ..... D13/108  
D699,215 S \* 2/2014 Koch ..... D14/205

(Continued)

**FOREIGN PATENT DOCUMENTS**

CN 3062617109 \* 1/2021  
CN 306422121 \* 3/2021

(Continued)

*Primary Examiner* — Paula Allen Greene

(74) *Attorney, Agent, or Firm* — Robert L. Stearns;  
Dickinson Wright, PLLC

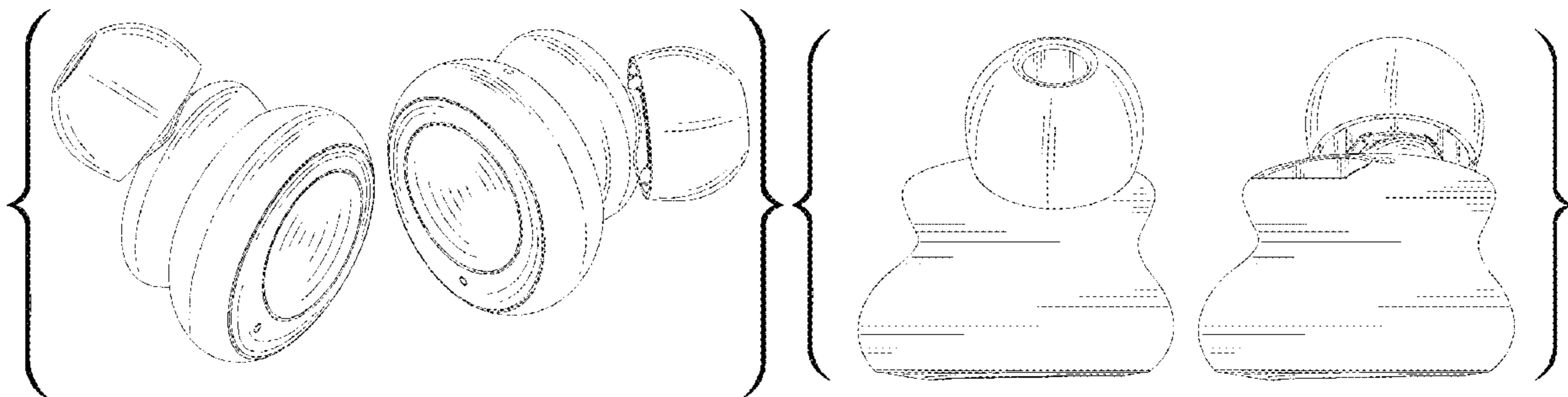
(57) **CLAIM**

The ornamental design for a pair of earbuds, as shown and described.

**DESCRIPTION**

FIG. 1 is a bottom perspective view of a pair of earbuds;  
FIG. 2 is a top perspective view of a pair of earbuds;  
FIG. 3 is a front view of the pair of earbuds;  
FIG. 4 is a rear view of the pair of earbuds;  
FIG. 5 is a left side view of the pair of earbuds;  
FIG. 6 is a right side view of the pair of earbuds;  
FIG. 7 is a bottom view of the pair of earbuds; and,  
FIG. 8 is top view of the pair of earbuds.  
The broken lines depict portions of the pair of earbuds that form no part of the claimed design.

**1 Claim, 8 Drawing Sheets**



(56)

References Cited

U.S. PATENT DOCUMENTS

D705,757 S \* 5/2014 Yashiro ..... H04R 1/10  
 D711,858 S \* 8/2014 Yang ..... D14/223  
 D718,236 S \* 11/2014 Murray ..... D13/108  
 D735,131 S \* 7/2015 Akana ..... D13/108  
 D773,437 S \* 12/2016 Lee ..... D14/223  
 D777,710 S \* 1/2017 Palmborg ..... D14/223  
 D781,269 S \* 3/2017 Choe ..... D14/223  
 D789,909 S \* 6/2017 Hung ..... D14/223  
 D795,225 S \* 8/2017 Sumii ..... D14/223  
 D799,452 S \* 10/2017 Lee ..... D14/223  
 D841,626 S \* 2/2019 Tang ..... D14/223  
 D842,844 S \* 3/2019 Li ..... D14/223  
 10,234,133 B2 \* 3/2019 Hirsch ..... F21V 33/0056  
 D863,260 S \* 10/2019 Zheng ..... D14/223  
 D883,958 S \* 5/2020 Liu ..... D14/223  
 D892,083 S \* 8/2020 Kwak ..... D14/217  
 D892,087 S \* 8/2020 Briggs ..... D14/223  
 D894,160 S \* 8/2020 Andrevski ..... D14/223  
 D896,205 S \* 9/2020 Zhang ..... D14/223  
 D897,318 S \* 9/2020 Blundell ..... D14/223  
 D897,319 S \* 9/2020 Wang ..... D14/223  
 D897,322 S \* 9/2020 Wei ..... D14/223  
 D900,064 S \* 10/2020 Laffon de Mazieres .... D14/223  
 D902,183 S \* 11/2020 Knudsen ..... D14/223  
 D902,184 S \* 11/2020 Yang ..... D14/223  
 10,827,249 B1 \* 11/2020 Pine ..... H04R 1/1016  
 D903,638 S \* 12/2020 Li ..... D14/223  
 D904,349 S \* 12/2020 Saxton ..... D14/223  
 D906,292 S \* 12/2020 Wang ..... D14/223

D908,667 S \* 1/2021 He ..... D14/223  
 D912,016 S \* 3/2021 Ando ..... D14/223  
 D912,647 S \* 3/2021 Williamson ..... D14/223  
 D912,648 S \* 3/2021 Williamson ..... D14/223  
 D915,358 S \* 4/2021 Ma ..... D14/223  
 D917,425 S \* 4/2021 Wang ..... D14/223  
 D920,288 S \* 5/2021 Vautour ..... D14/223  
 D920,958 S \* 6/2021 Ye ..... D14/223  
 D922,358 S \* 6/2021 Li ..... D14/223  
 D924,850 S \* 7/2021 Takubo ..... D14/223  
 D925,492 S \* 7/2021 Sugiura ..... D14/223  
 D925,497 S \* 7/2021 Laffon de Mazieres .... D14/223  
 2014/0166122 A1 \* 6/2014 Goldstein ..... H04R 1/1041  
 137/223  
 2018/0121160 A1 \* 5/2018 Boesen ..... H04R 1/1083  
 2018/0124491 A1 \* 5/2018 Dragicevic ..... H04R 1/1016  
 2020/0186906 A1 \* 6/2020 Birch ..... H04R 1/1016  
 2021/0144460 A1 \* 5/2021 Mori ..... H04R 1/1025  
 2021/0152921 A1 \* 5/2021 Silva ..... H04R 1/1025  
 2021/0219040 A1 \* 7/2021 Woo ..... H04R 1/06  
 2021/0250673 A1 \* 8/2021 Chih ..... E05D 5/14  
 2021/0250676 A1 \* 8/2021 Kim ..... H04R 1/1016  
 2021/0258678 A1 \* 8/2021 Huwe ..... H04R 1/1058

FOREIGN PATENT DOCUMENTS

EM 004170959-0001 \* 8/2017  
 EM 007672274-0001 \* 8/2019  
 GB 9007672274-0001 \* 2/2020  
 GB 9008089320-0001 \* 8/2020  
 JP D1646554 \* 11/2019

\* cited by examiner

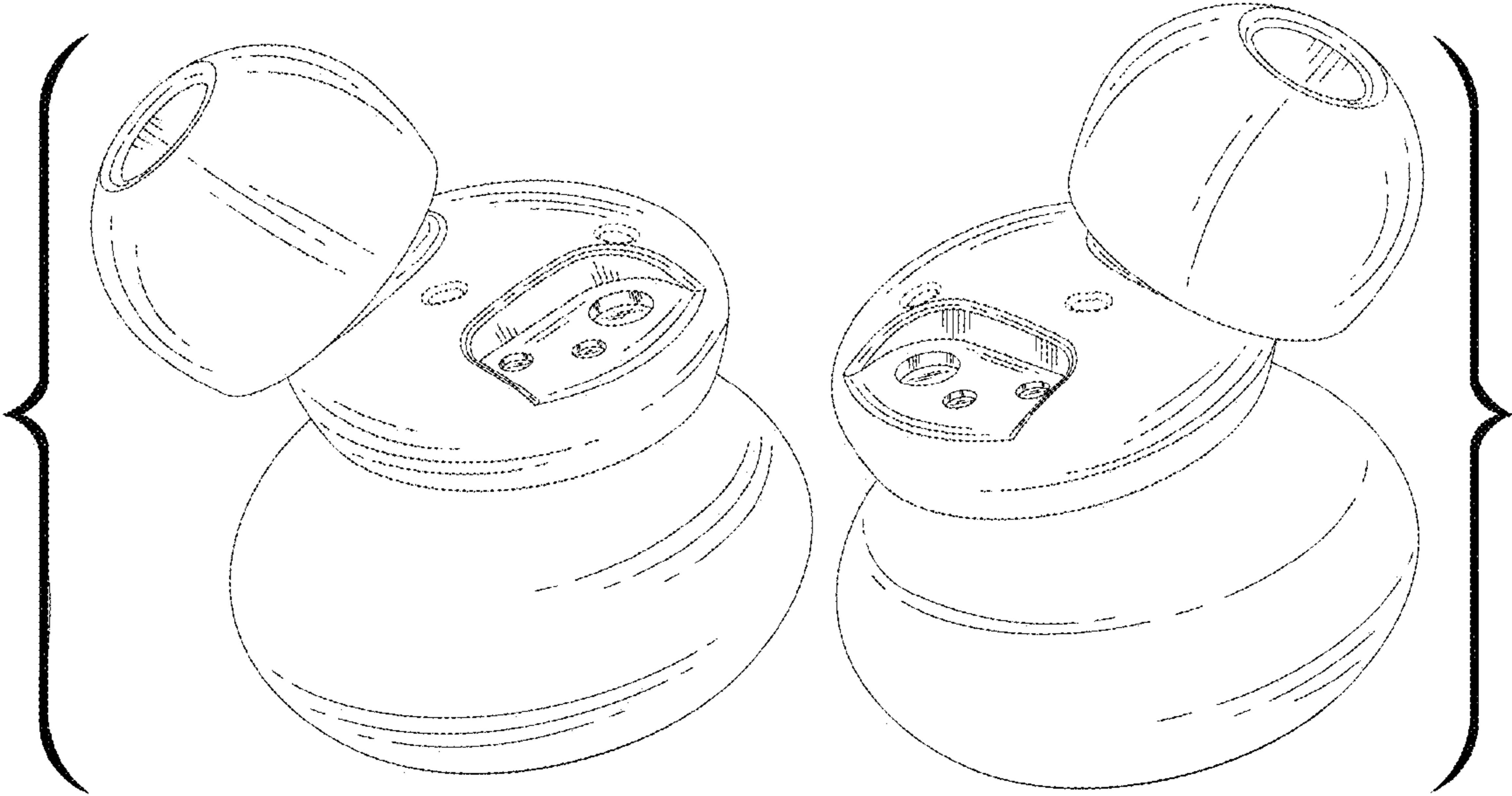


FIG. 1

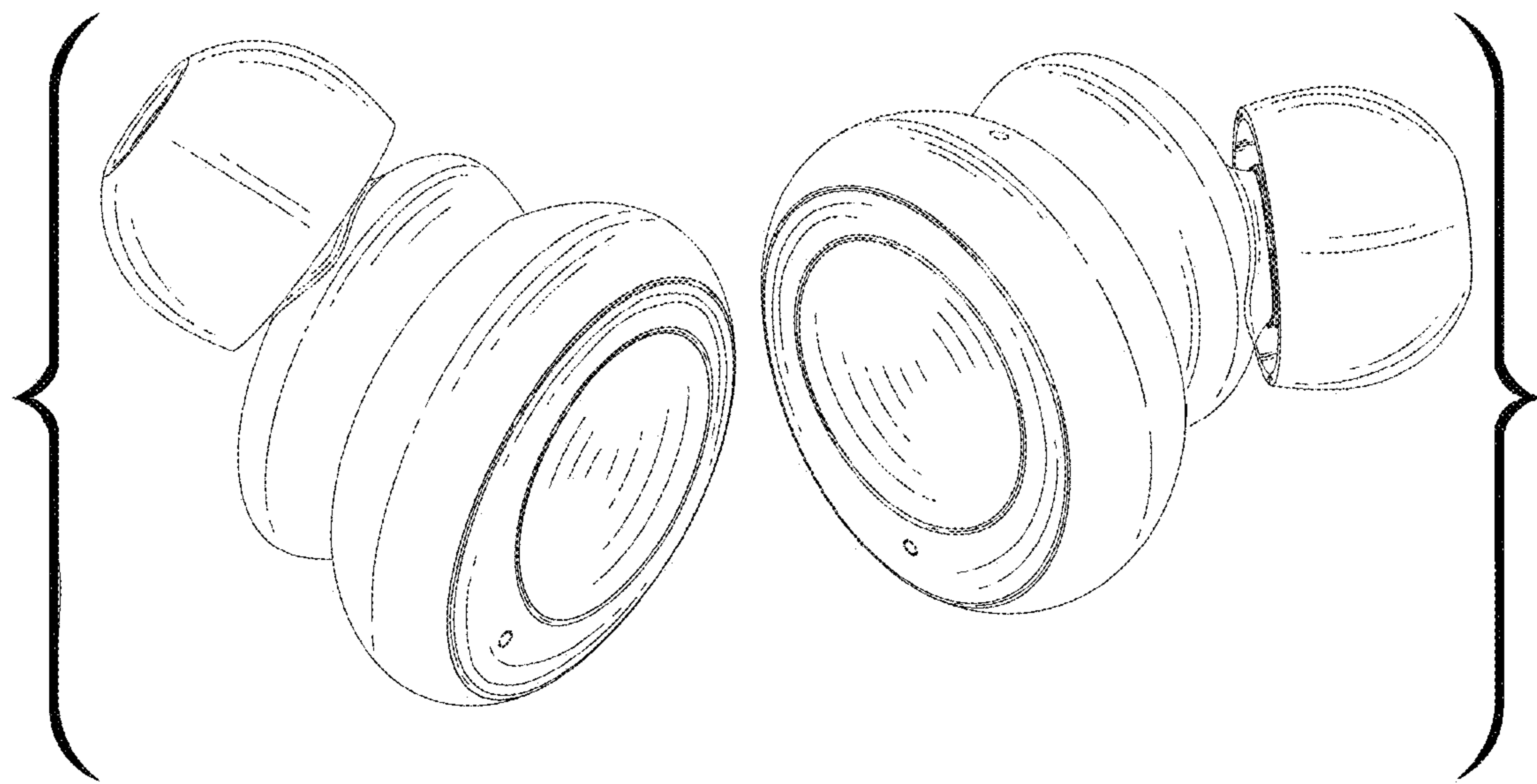


FIG. 2



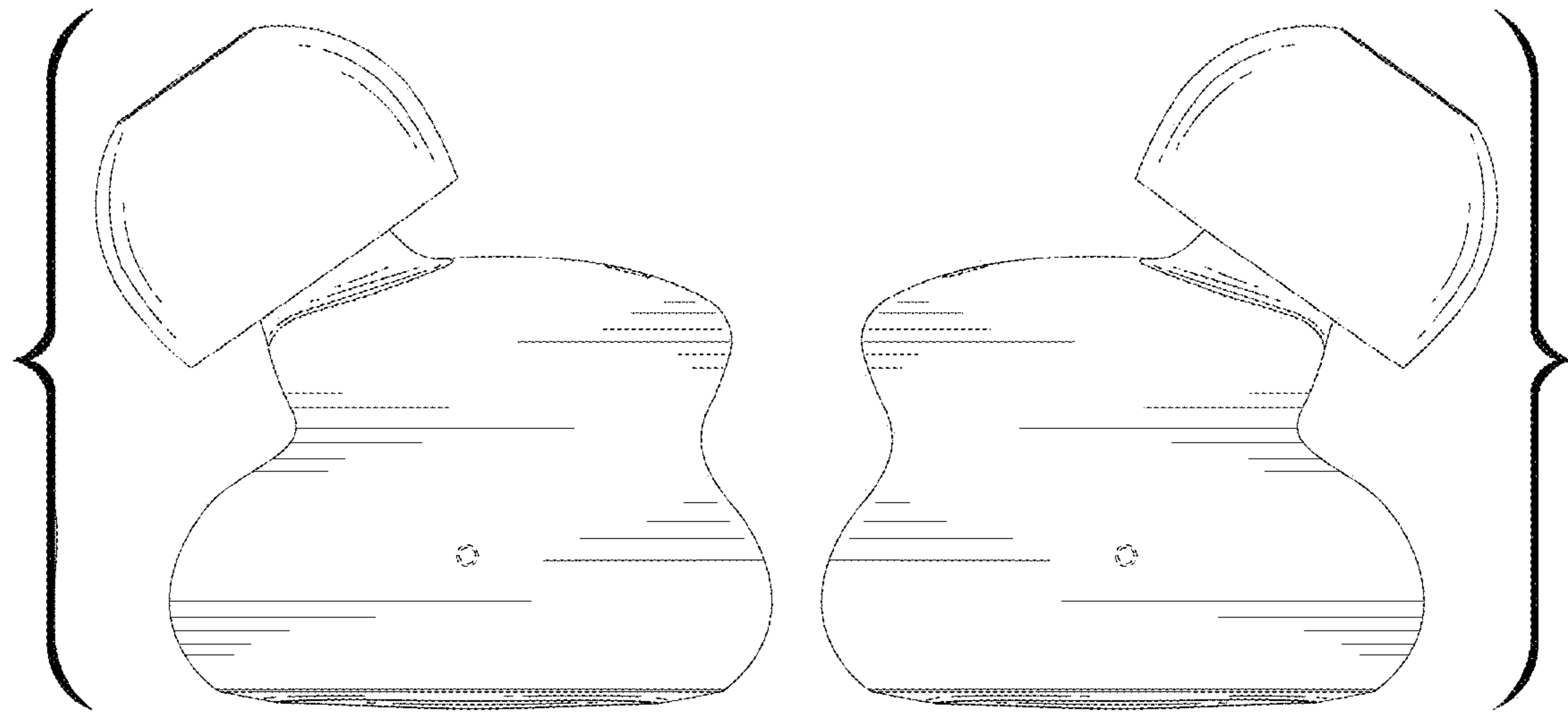


FIG. 3

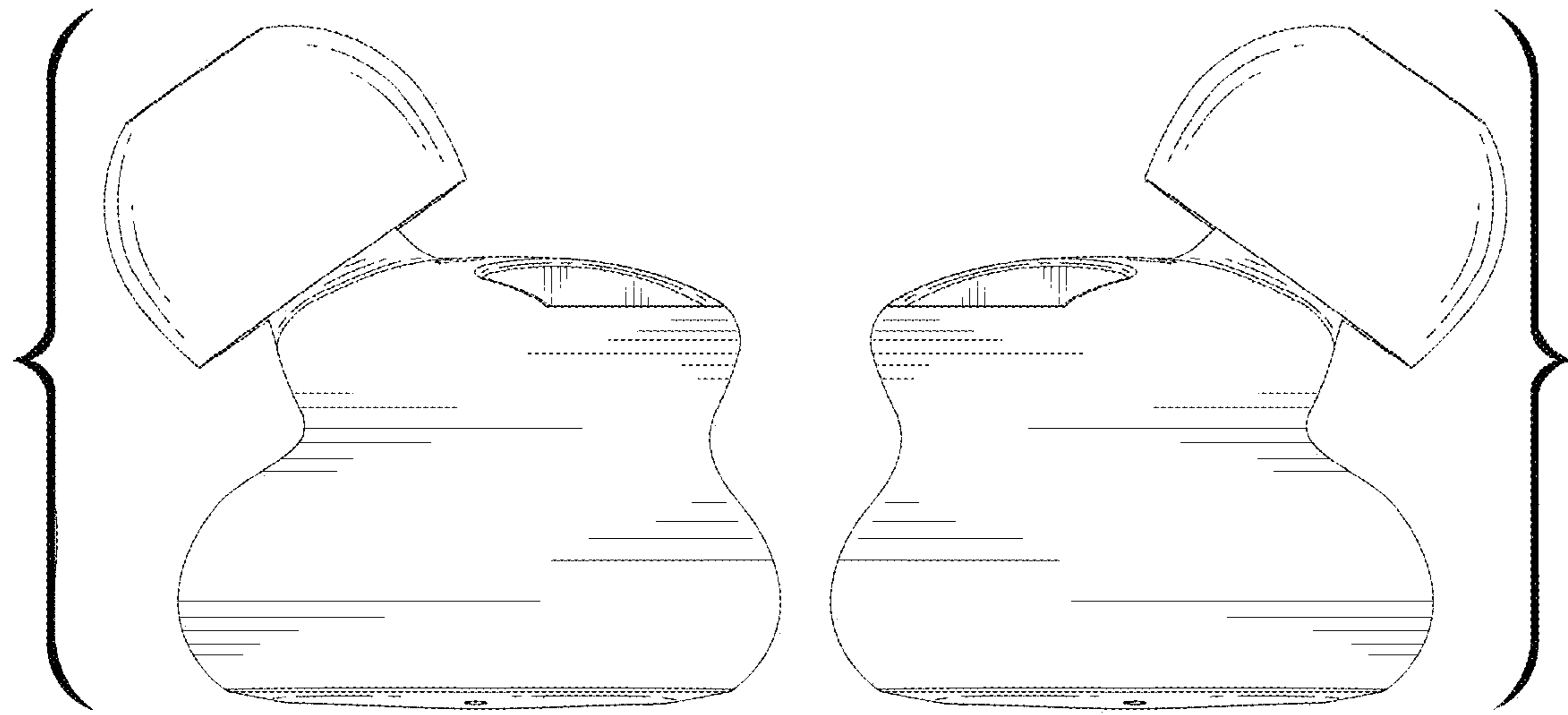


FIG. 4

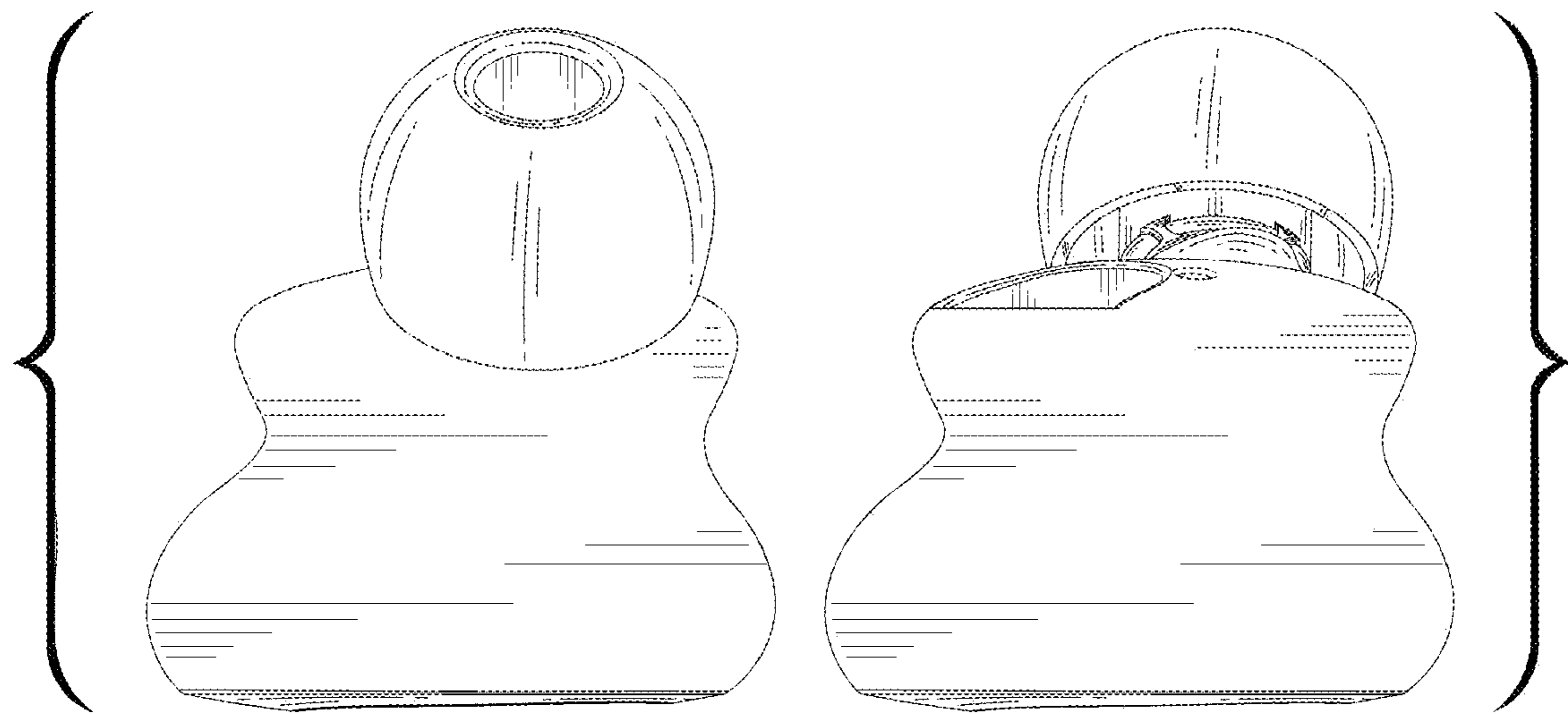


FIG. 5

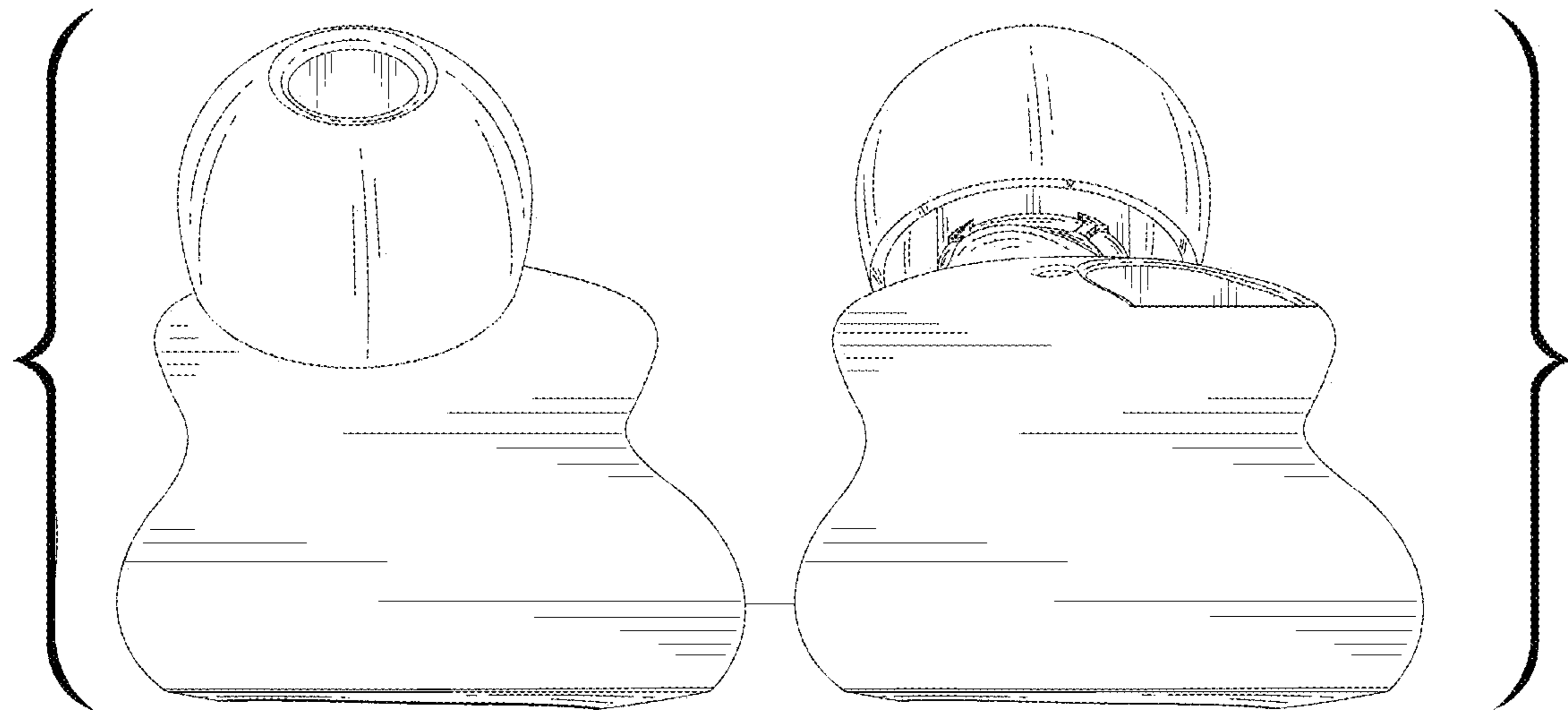


FIG. 6



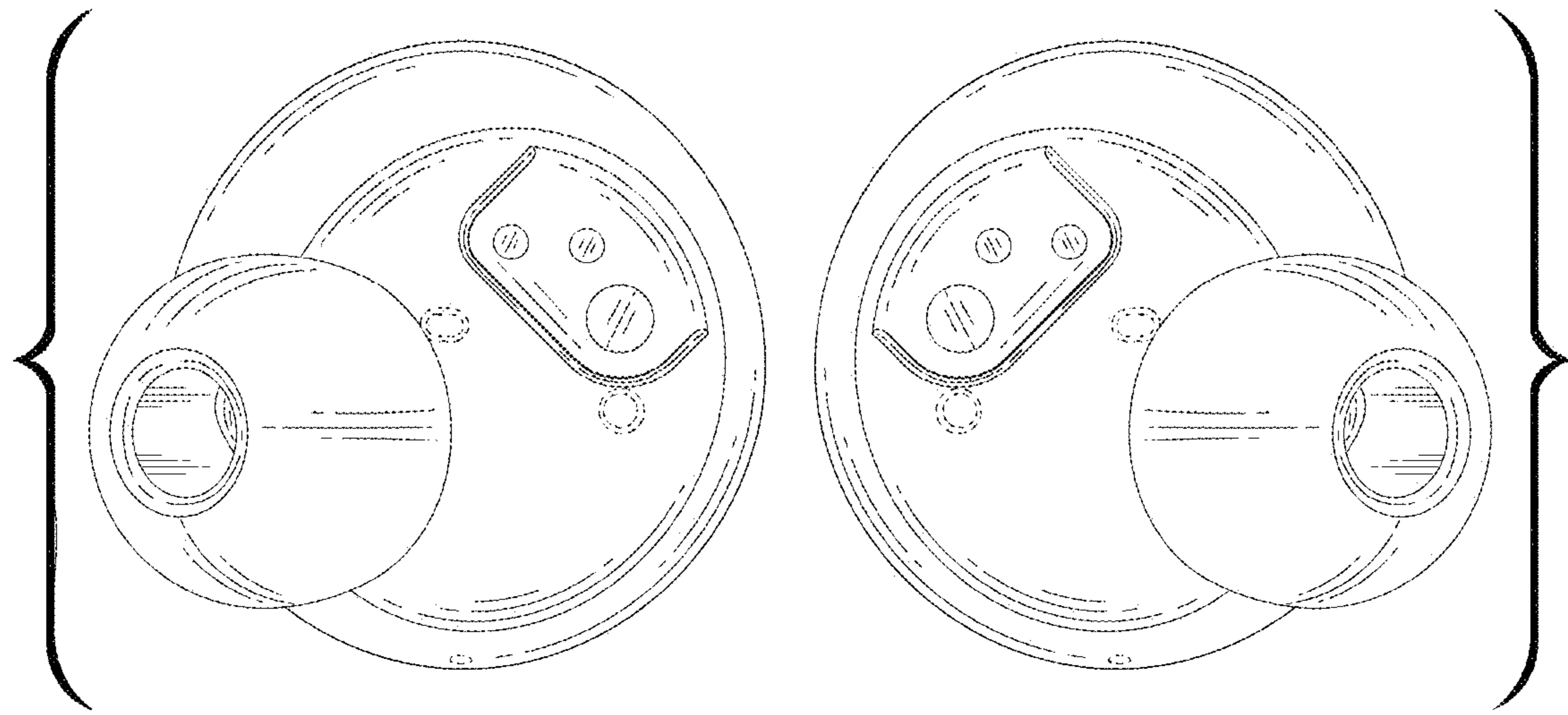


FIG. 7

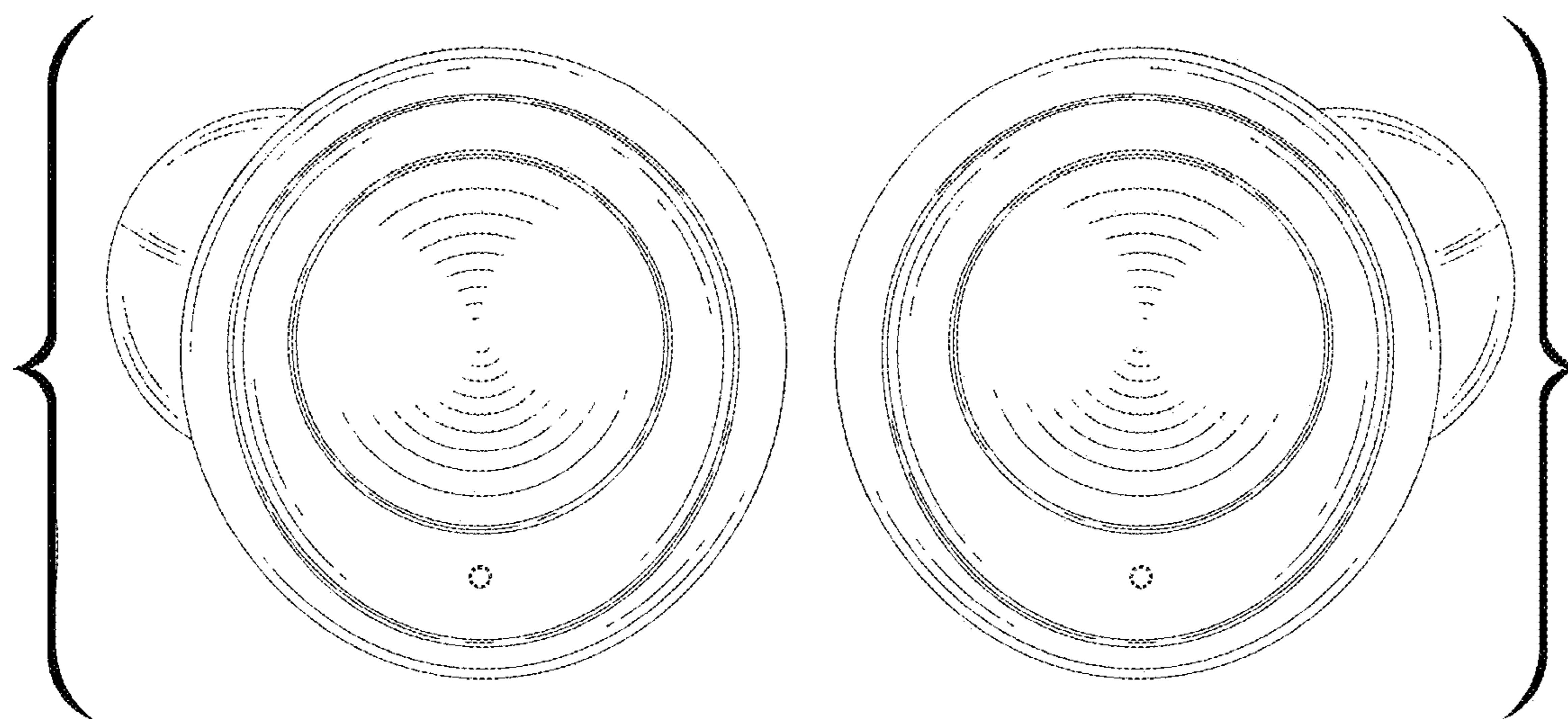


FIG. 8