



US00D941272S

(12) **United States Design Patent**
Kitamura et al.

(10) **Patent No.:** **US D941,272 S**
(45) **Date of Patent:** **** Jan. 18, 2022**

(54) **SPEAKER**

(71) Applicant: **PIONEER CORPORATION**, Tokyo (JP)

(72) Inventors: **Meiji Kitamura**, Tokyo (JP); **Maho Miyamoto**, Tokyo (JP)

(73) Assignee: **PIONEER CORPORATION**, Tokyo (JP)

(**) Term: **15 Years**

(21) Appl. No.: **29/696,362**

(22) Filed: **Jun. 27, 2019**

(30) **Foreign Application Priority Data**

Dec. 27, 2018 (JP) 2018-028585

(51) **LOC (13) Cl.** **14-01**

(52) **U.S. Cl.**
USPC **D14/219**; D14/216

(58) **Field of Classification Search**
USPC D14/167, 168, 170–172, 188, 194–196,
D14/204, 209.1, 210–216, 219, 221, 222,
D14/224, 239, 496

CPC B60R 11/0217; G06F 1/1688; G10K 9/22;
G10K 11/004; H03F 1/327; H04M 1/03;
H04M 1/035; H04N 5/642; H04N
21/4852; H04R 1/02; H04R 1/06; H04R
1/021; H04R 1/025; H04R 1/026; H04R
1/028; H04R 1/105; H04R 1/323; H04R
1/403; H04R 1/2803; H04R 1/2834;
H04R 5/02; H04R 7/20; H04R 9/06;
H04R 9/025; H04R 2201/021; H04R
2400/00; H04R 2201/07; H04R 2499/11;
H04R 2499/13; H04R 2499/15; H04S
3/00; H04S 7/30

See application file for complete search history.

(56) **References Cited**

U.S. PATENT DOCUMENTS

D488,801 S * 4/2004 Shindo D14/216
D858,487 S * 9/2019 Proni D14/219

D876,397 S * 2/2020 Susterman D14/219
D893,459 S * 8/2020 Lum D14/219
D897,317 S * 9/2020 Telle H04R 1/023
D14/219
D911,314 S * 2/2021 Telle D14/219

(Continued)

FOREIGN PATENT DOCUMENTS

JP 1201053 4/2004
JP 1201608 4/2004

OTHER PUBLICATIONS

Sonic Electronix, JL Audio M770-CCS-SG-WH—White with Sport Grilles, 2011, [online] 1 pg., URL: https://www.sonicelectronix.com/pictures_new.php?id=17425&picture_id=2451359.

(Continued)

Primary Examiner — Keli L Hill

(74) *Attorney, Agent, or Firm* — Procopio, Cory, Hargreaves & Savitch LLP

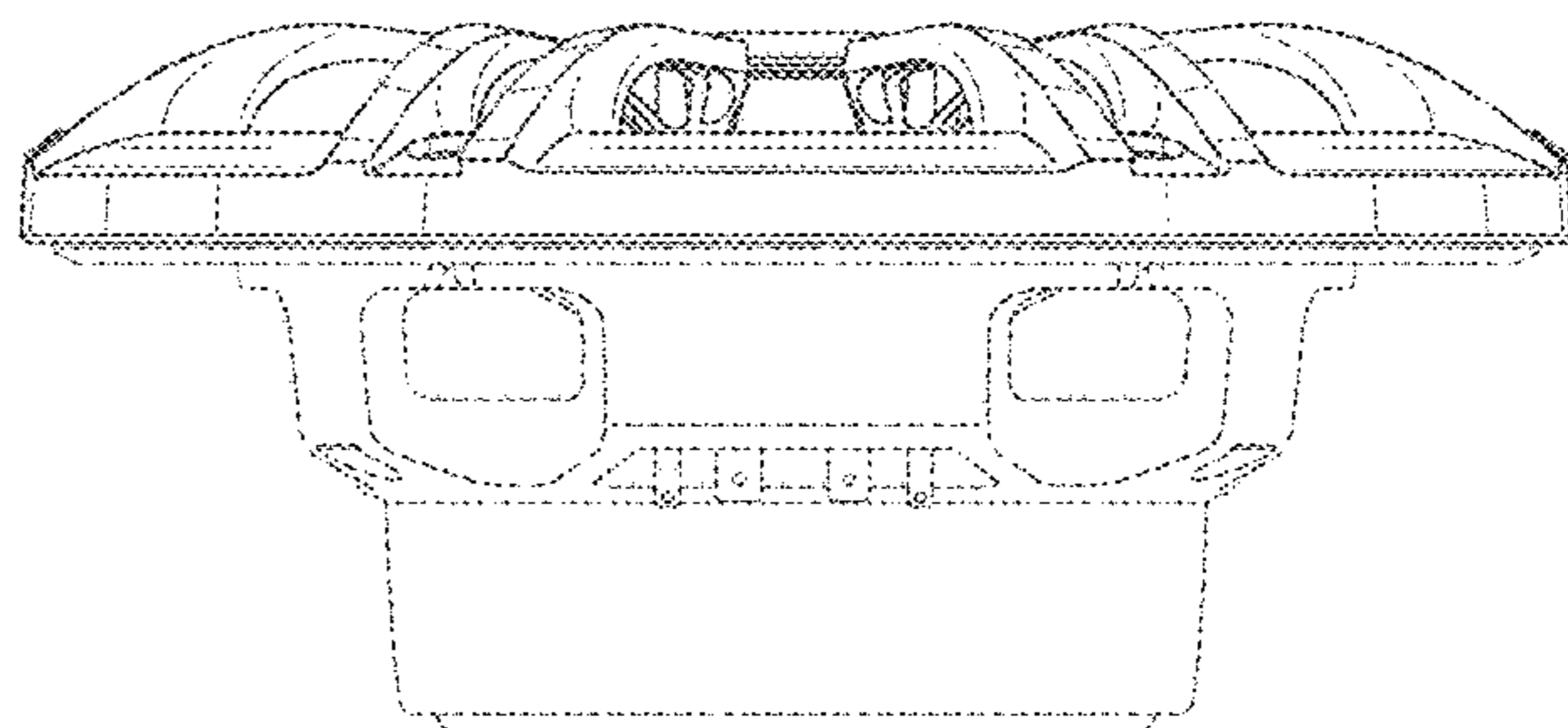
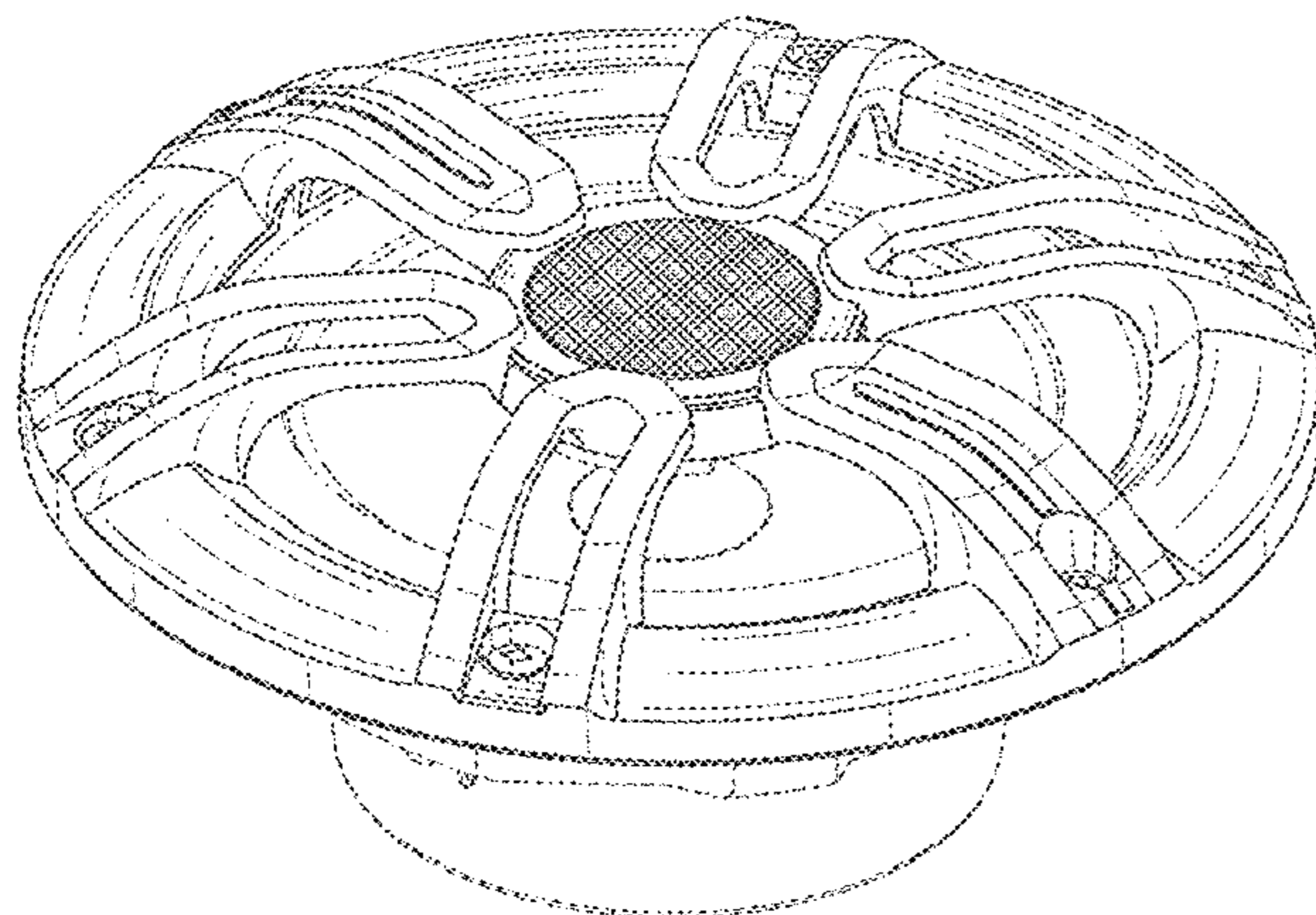
(57) **CLAIM**

The ornamental design for the speaker, as shown and described.

DESCRIPTION

FIG. 1 is a perspective view of a speaker showing our new design;
FIG. 2 is a front view thereof;
FIG. 3 is a rear view thereof;
FIG. 4 is a top view thereof;
FIG. 5 is a bottom view thereof;
FIG. 6 is a right side view thereof; and,
FIG. 7 is a left side view thereof.
The broken lines illustrating portions of the speaker form no part of the claimed design.

1 Claim, 7 Drawing Sheets



(56)

References Cited

U.S. PATENT DOCUMENTS

2018/0184183 A1* 6/2018 Kaplan H04R 1/023

OTHER PUBLICATIONS

Fusion Company, Marine Entertainment Catalogue, 2019, 18 pgs.
Pioneer Corporation, Audio & AV 2017: Car Entertainment, Dealer
Reference Guide, vol. 1, 3 pgs.

* cited by examiner

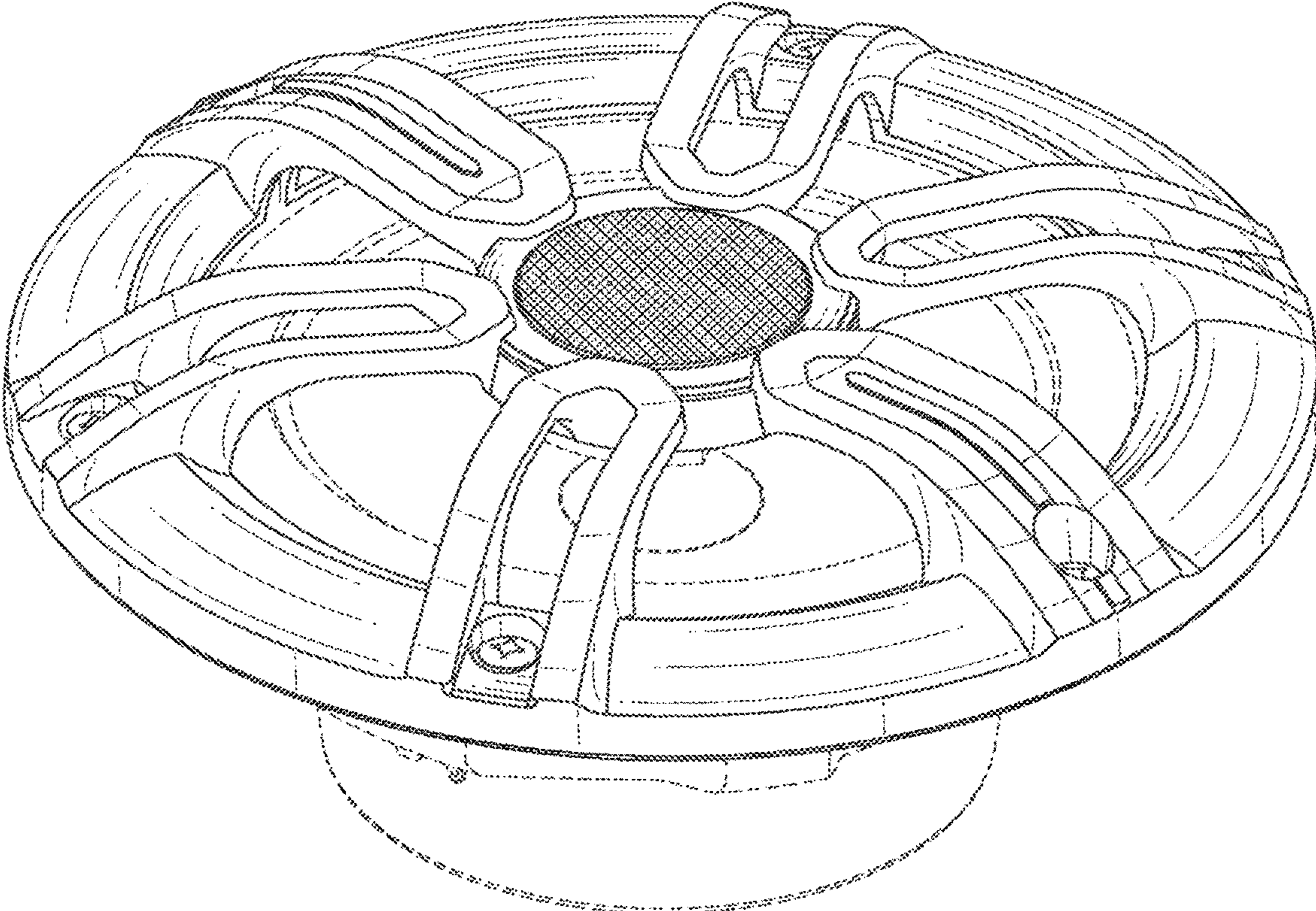


FIG. 1

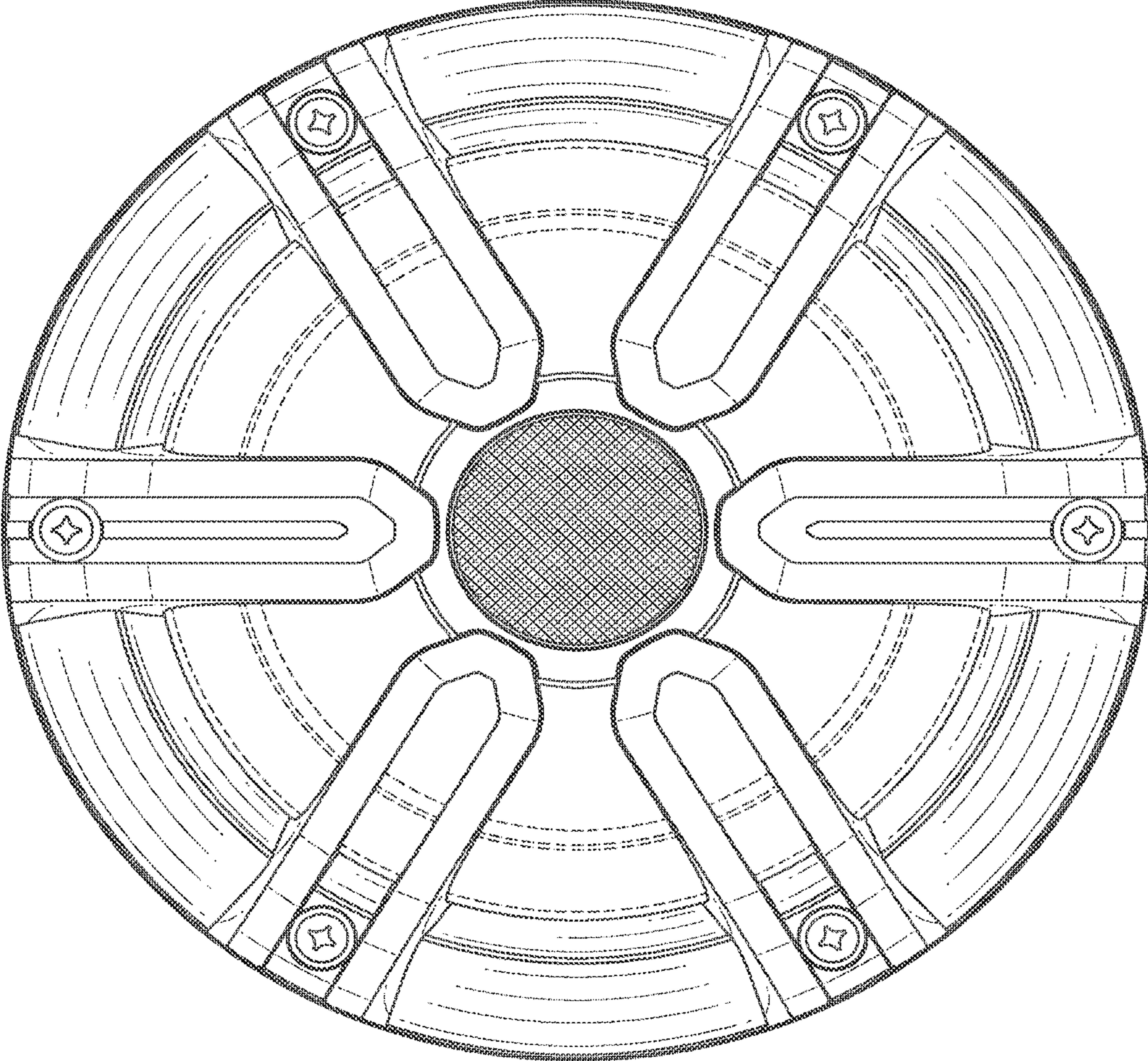


FIG. 2

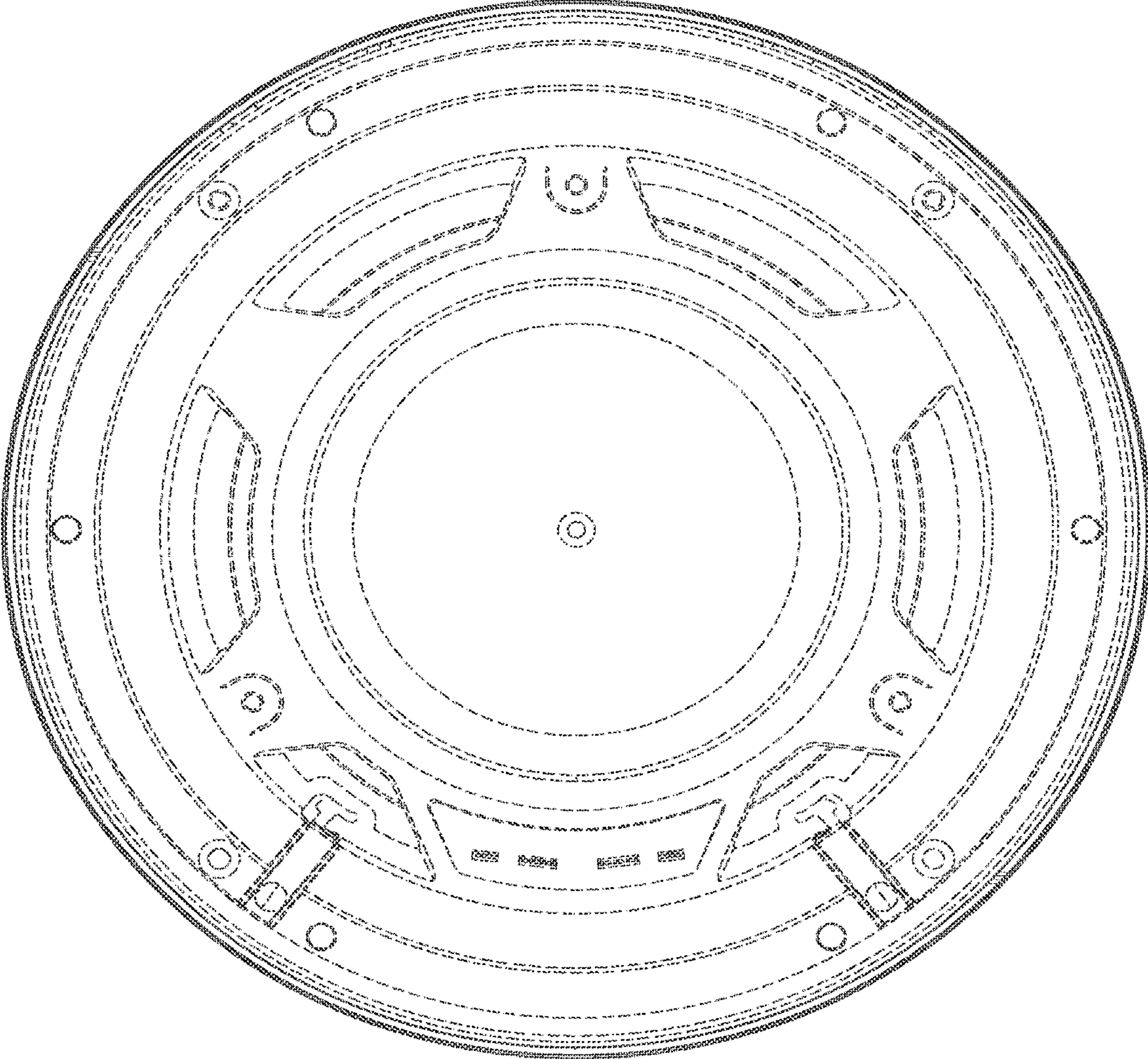


FIG. 3

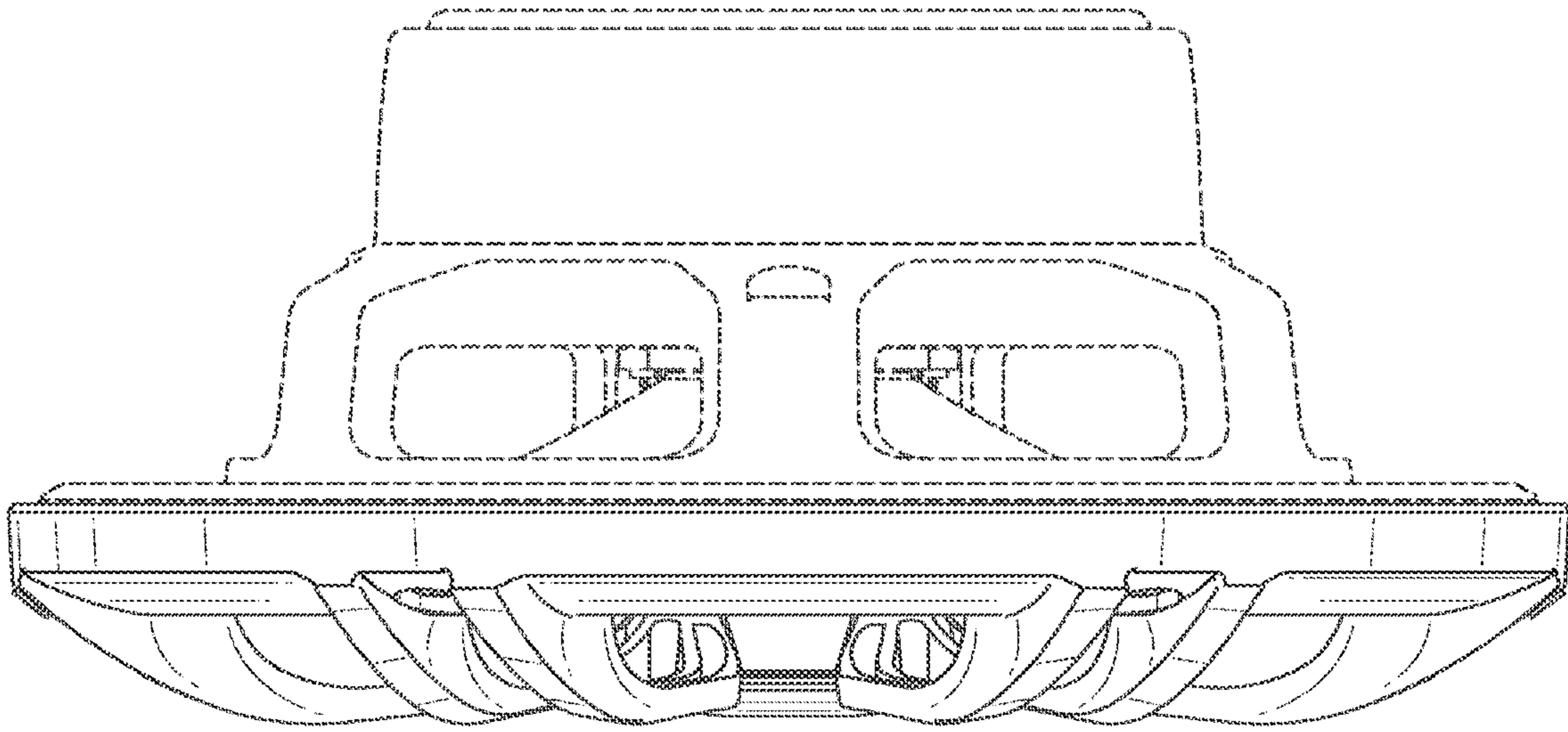


FIG. 4

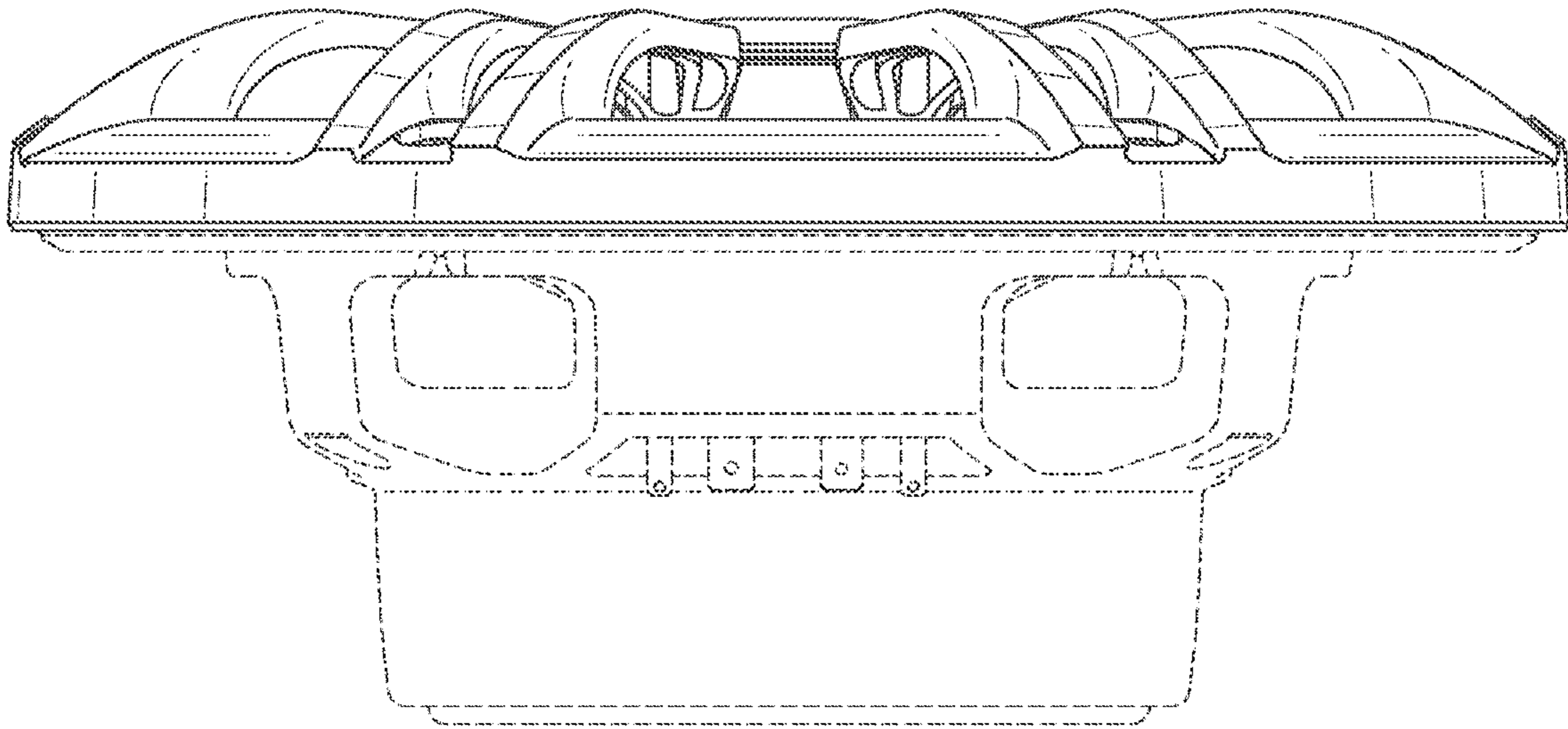


FIG. 5

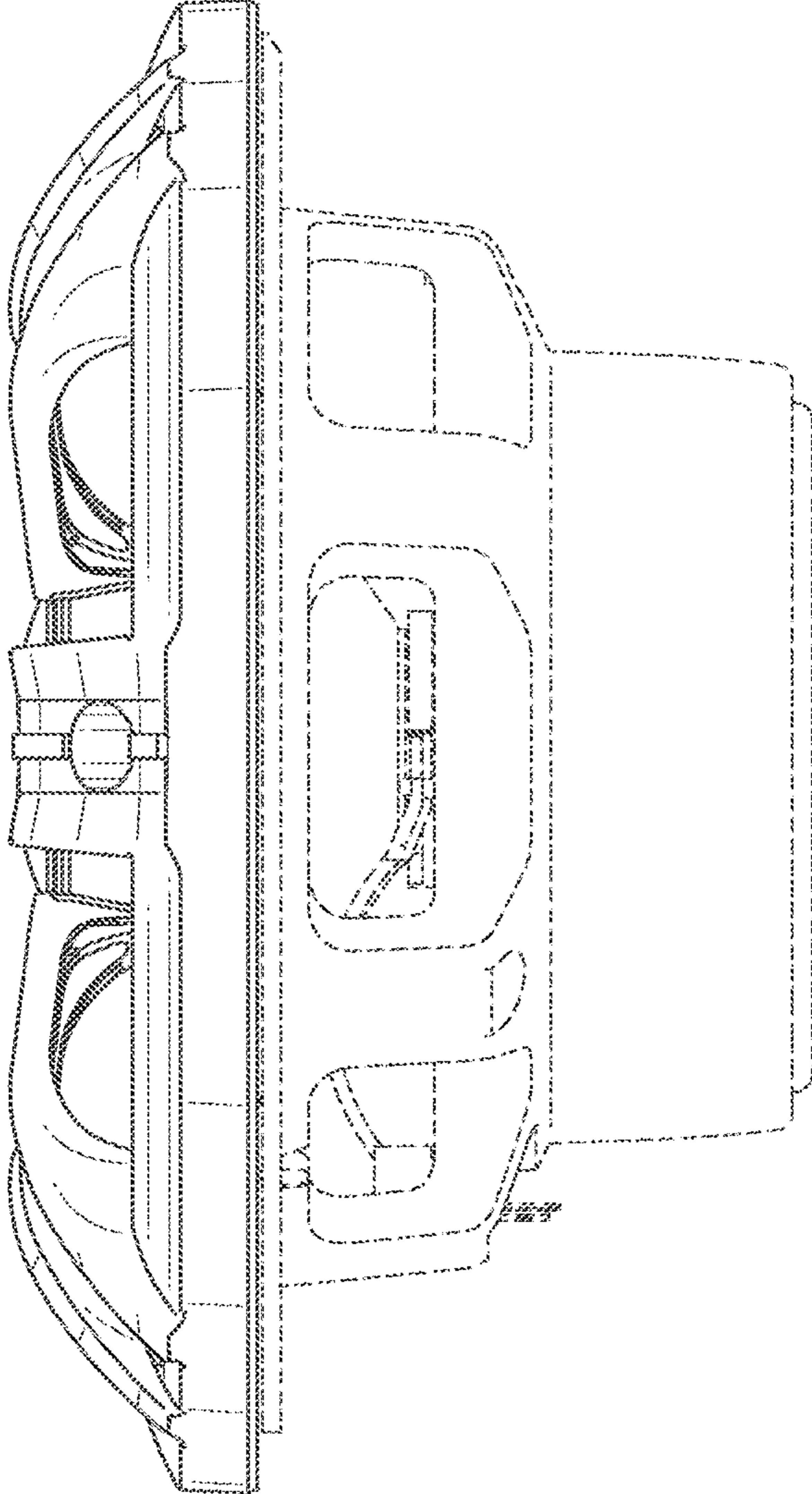


FIG. 6

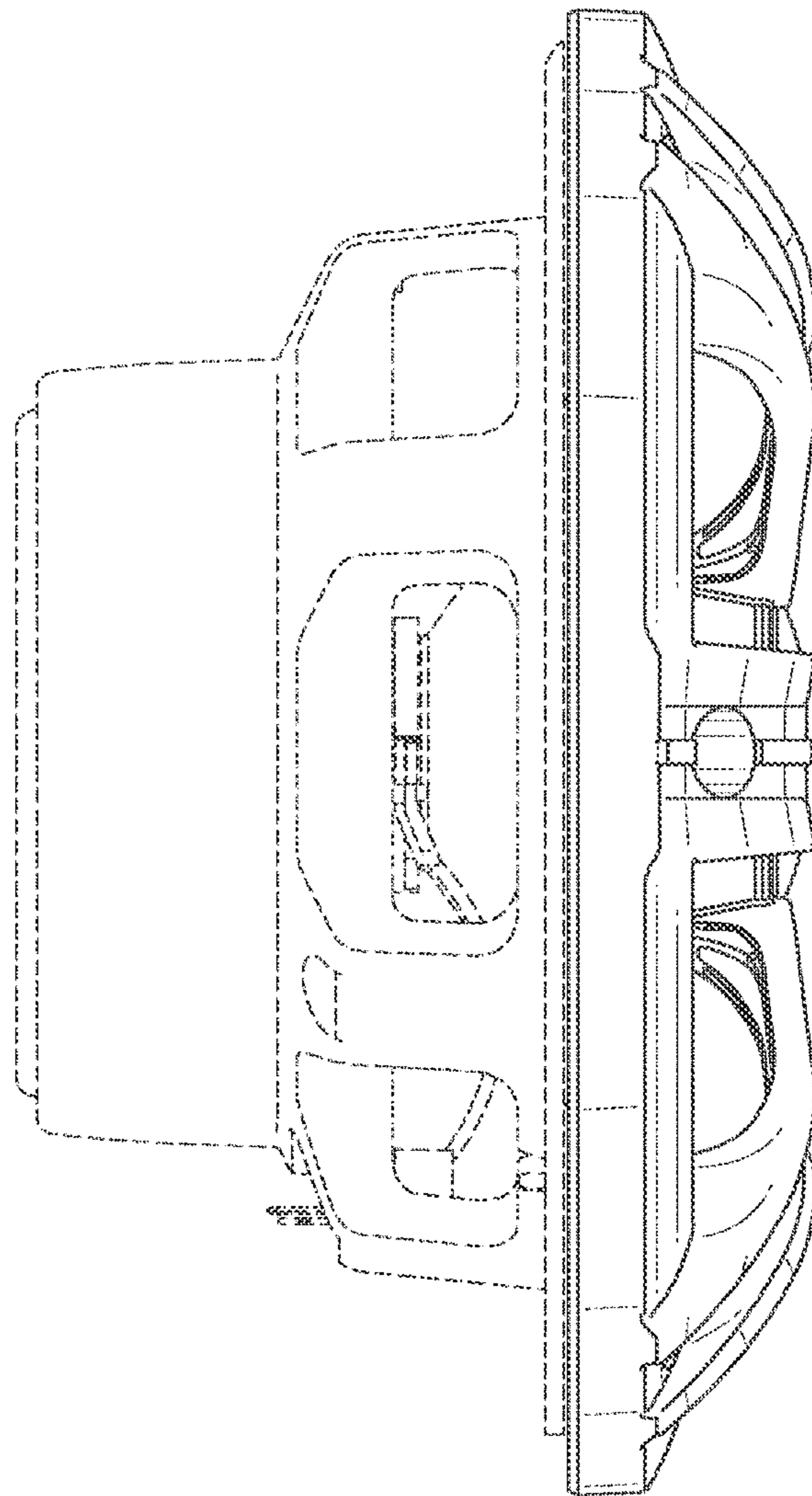


FIG. 7