



US00D941270S

(12) **United States Design Patent** (10) **Patent No.:** **US D941,270 S**
Park (45) **Date of Patent:** **** Jan. 18, 2022**

(54) **WIRELESS REMOTE CONTROL**
(71) Applicant: **Neofect Co., Ltd.**, Seongnam-si (KR)
(72) Inventor: **Byeong Geol Park**, Icheon-si (KR)
(73) Assignee: **Neofect Co., Ltd.**, Seongnam-si (KR)

D830,344 S * 10/2018 Lee D14/217
D849,004 S * 5/2019 Bierach D14/383
D857,663 S * 8/2019 Knie D14/218
D862,421 S * 10/2019 Arimoto D14/218
D867,335 S * 11/2019 Lee D14/218
D879,728 S * 3/2020 Park D13/168

(**) Term: **15 Years**

(21) Appl. No.: **35/509,735**

(22) Filed: **Dec. 30, 2019**

(80) **Hague Agreement Data**

Int. Filing Date: **Dec. 30, 2019**
Int. Reg. No.: **DM/206398**
Int. Reg. Date: **Dec. 30, 2019**
Int. Reg. Pub. Date: **Jul. 3, 2020**

(51) **LOC (13) Cl.** **14-03**

(52) **U.S. Cl.**
USPC **D14/218**; D13/168

(58) **Field of Classification Search**
USPC D13/168; D14/218, 455; D21/566
CPC G08C 17/00; G08C 17/02; H04B 1/202;
H01H 9/02; H01H 9/0214; H01H 9/0235;
H01H 9/0242

See application file for complete search history.

(56) **References Cited**

U.S. PATENT DOCUMENTS

D399,209 S * 10/1998 Yamagishi D14/218
D410,927 S * 6/1999 Yamagishi D14/218
D432,524 S * 10/2000 Yamagishi D14/218
D492,284 S * 6/2004 Suzuki D14/218
D643,832 S * 8/2011 Park D14/218
D662,488 S * 6/2012 Yeo D14/203.7
D702,732 S * 4/2014 Wu D14/496
D713,421 S * 9/2014 Kaneta D14/496
D753,091 S * 4/2016 Miyake D14/205
D788,822 S * 6/2017 Nguyen D14/496

OTHER PUBLICATIONS

Velio FreeWave Plus Wireless Remote Shutter Release, upload date Jun. 27, 2012, [online] URL: https://www.bhphotovideo.com/c/product/753842-REG/Vello_RWII_N_FreeWave_Plus_Wireless_Remote.html (Year: 2012).*

The neomano robotic glove powers people with hand paralysis, publication date Jan. 17, 2020, [online] URL: <https://www.designboom.com/technology/neomano-robotic-glove-powers-people-with-hand-paralysis-01-17-2020/> (Year: 2020).*

Neomano Neofect, publication date Aug. 4, 2020, [online] URL: <https://web.archive.org/web/20200804135412/https://www.neofect.com/us/neomano> (Year: 2020).*

* cited by examiner

Primary Examiner — L. A. Grabenstetter

(74) *Attorney, Agent, or Firm* — Revolution IP, PLLC

(57) **CLAIM**

The ornamental design for a wireless remote control, as shown and described.

DESCRIPTION

1. Wireless Remote Control

1.1 : Perspective

1.2 : Front

1.3 : Back

1.4 : Top

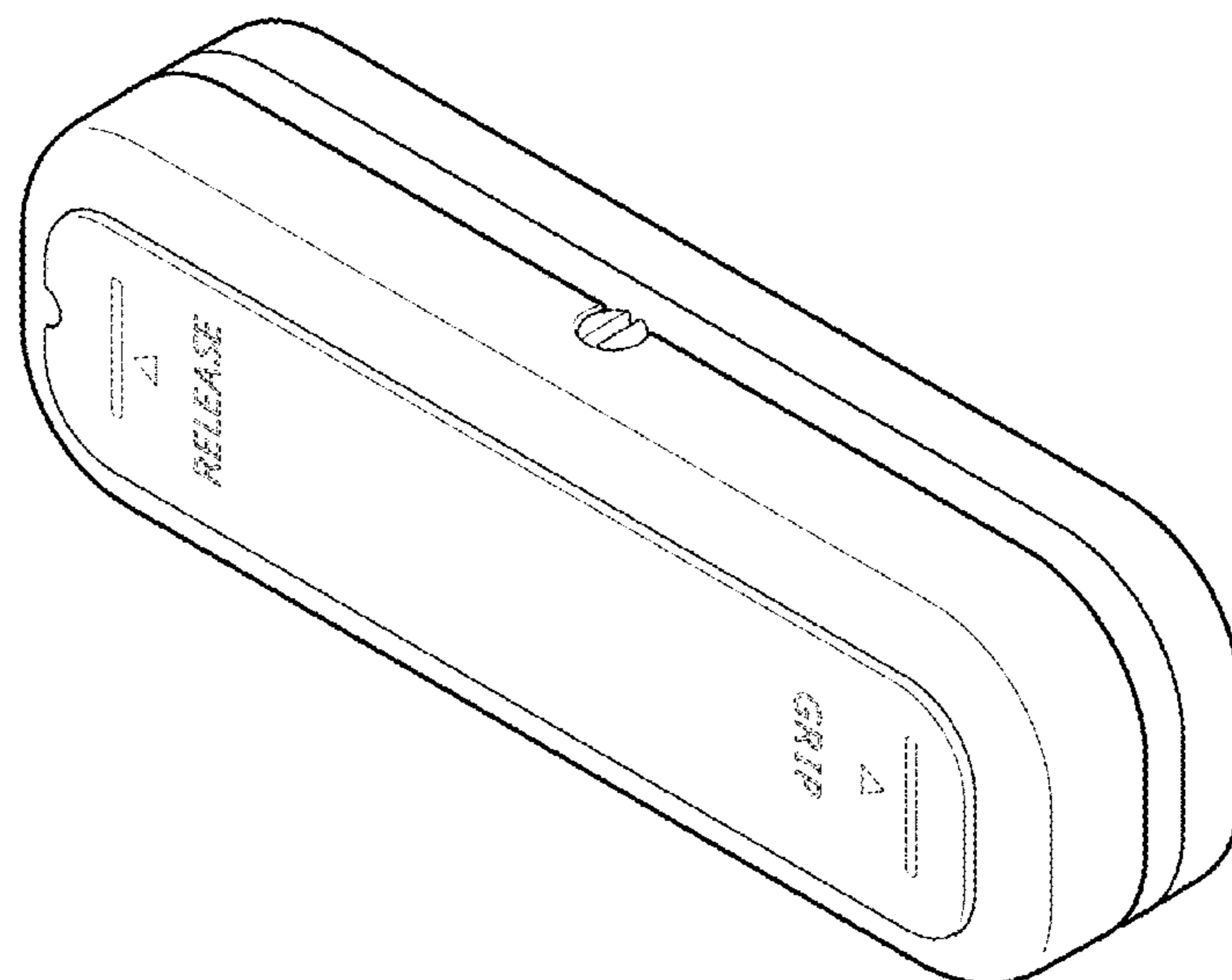
1.5 : Bottom

1.6 : Left

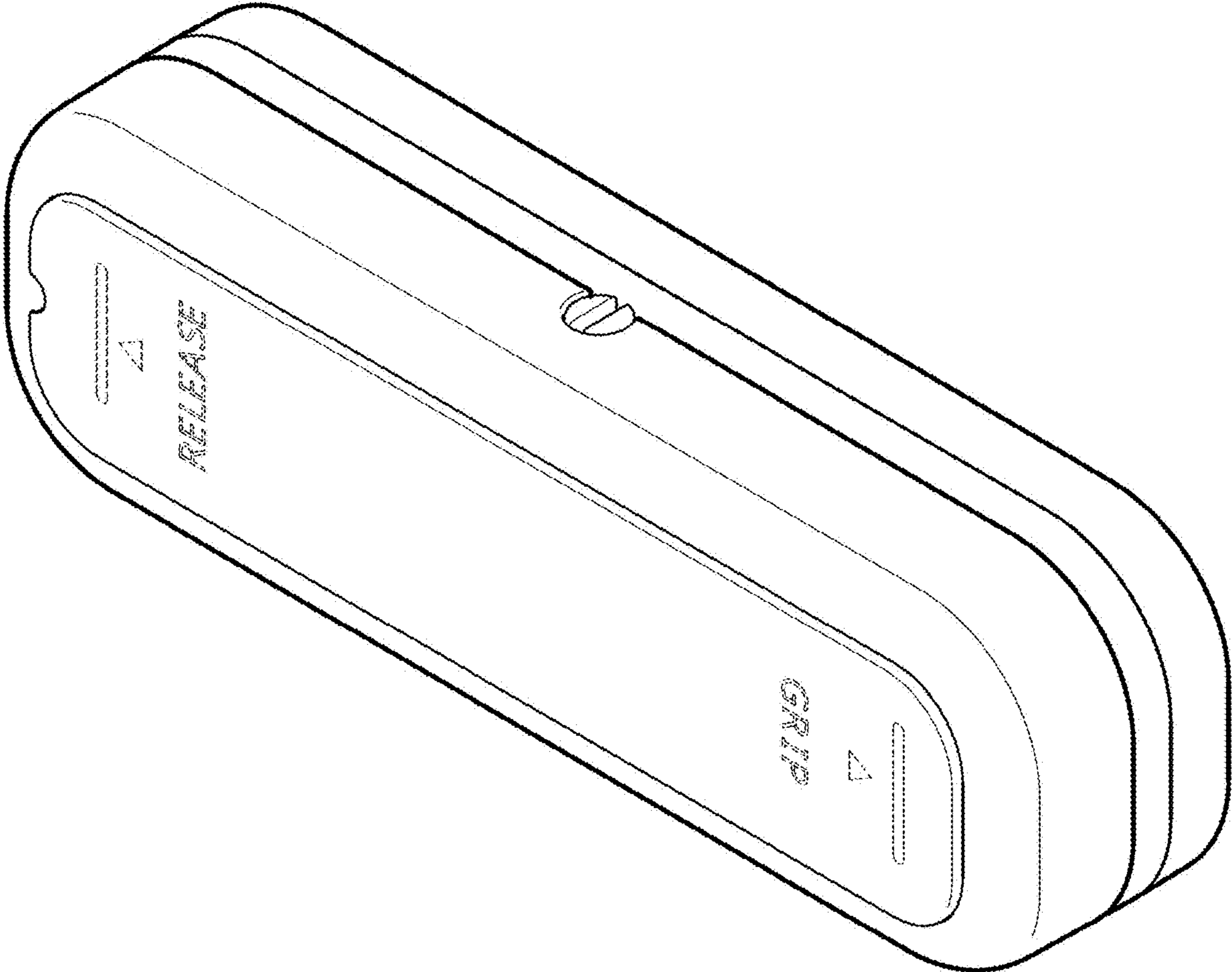
1.7 : Right

The broken lines represent portions of the article that form no part of the claimed design.

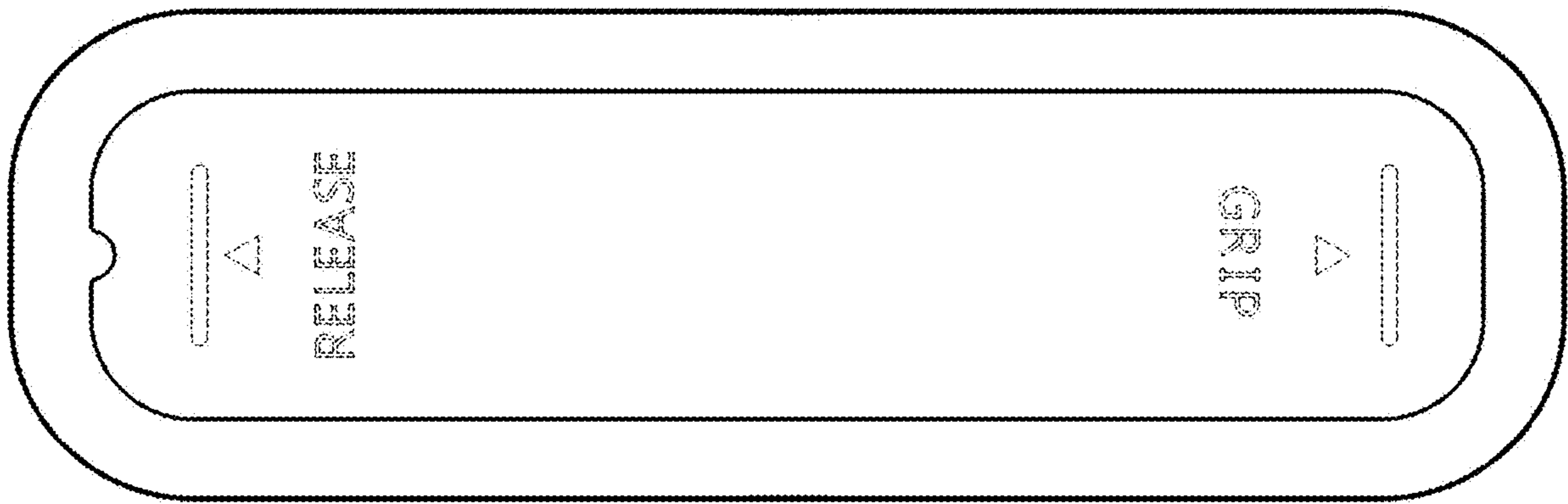
1 Claim, 7 Drawing Sheets



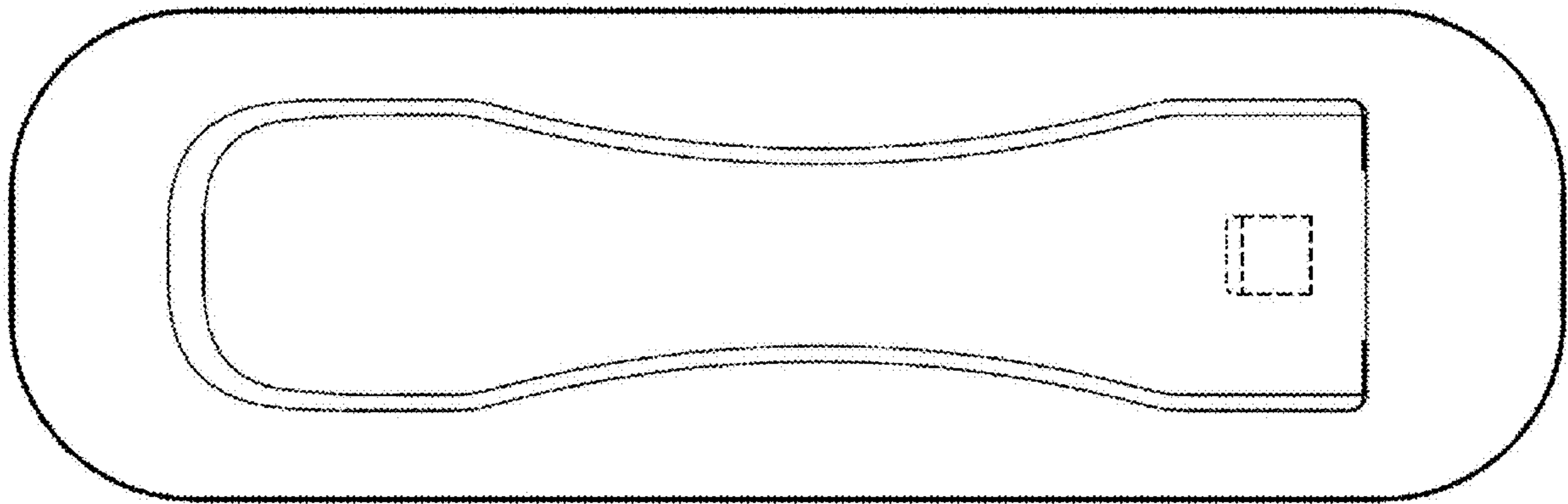
1.1



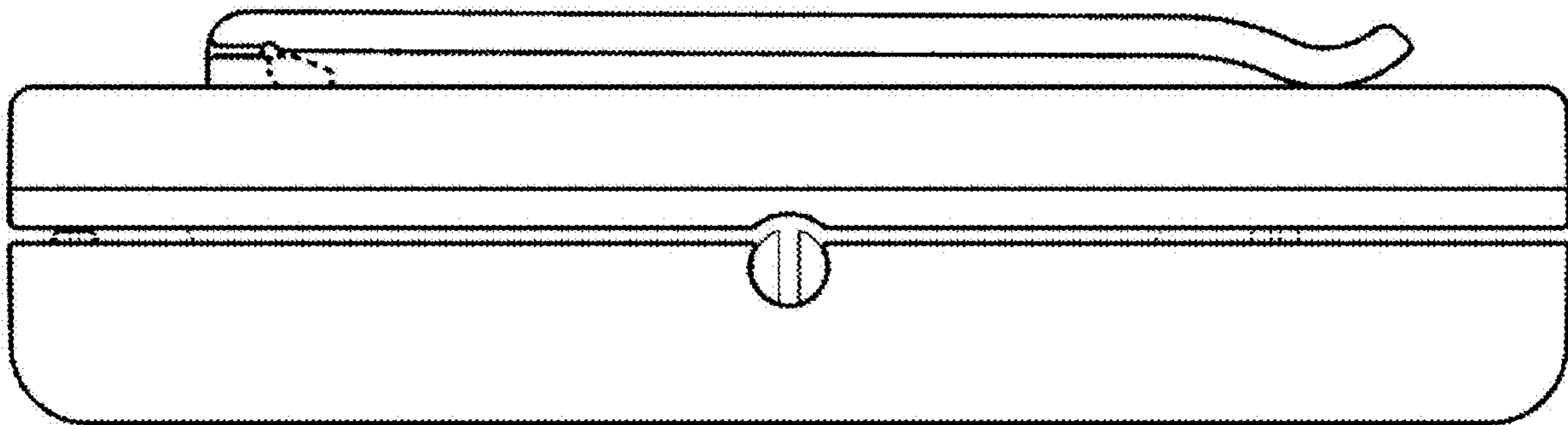
1.2



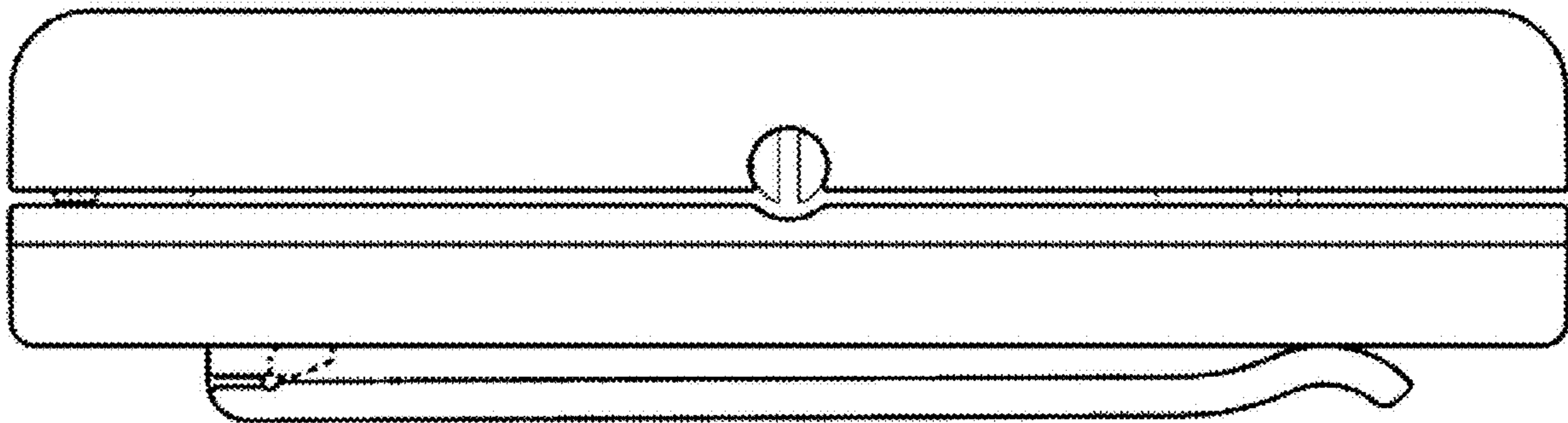
1.3



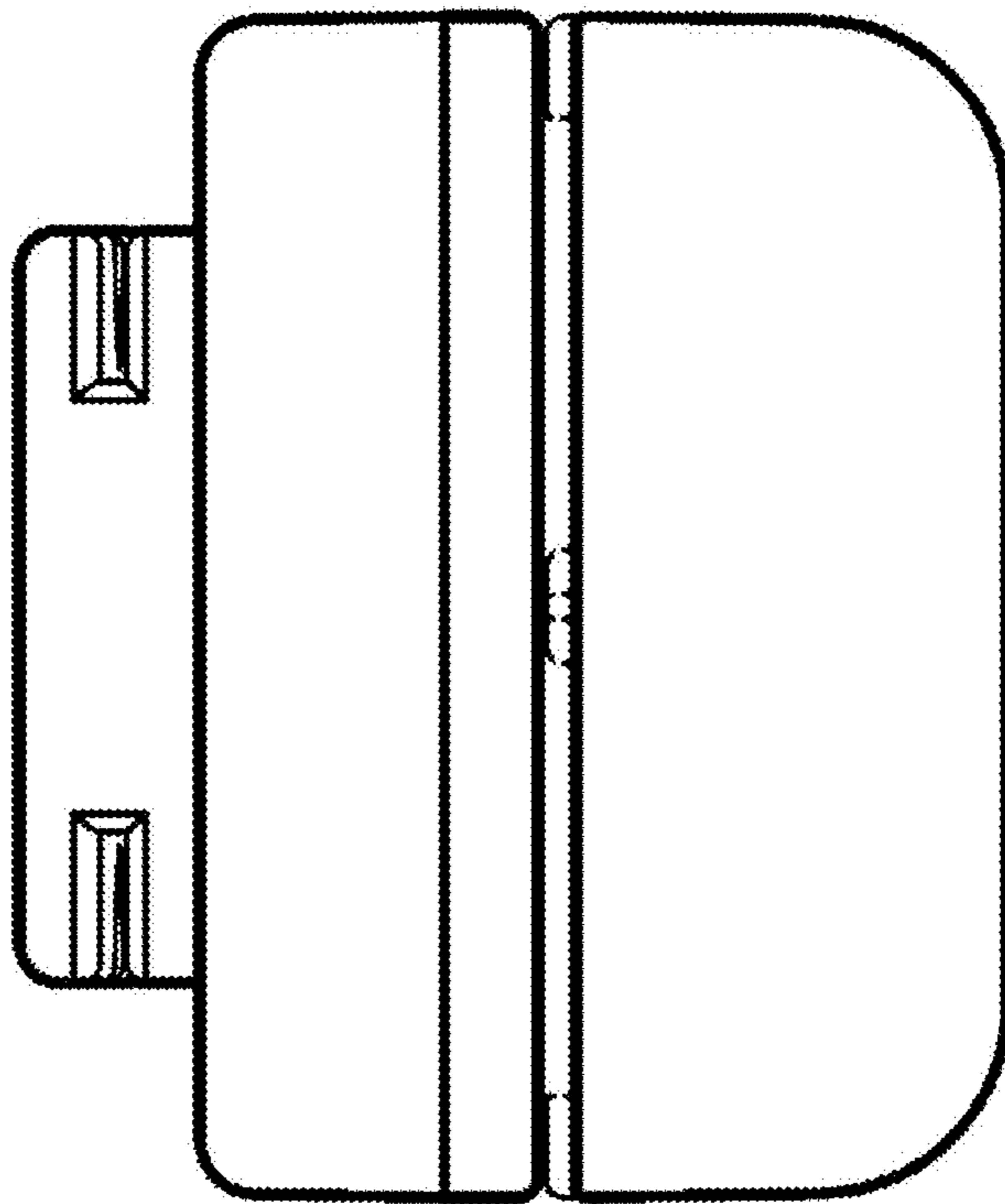
1.4



1.5



1.6



1.7

