



US00D941269S

(12) **United States Design Patent**  
**Hao**

(10) **Patent No.:** **US D941,269 S**

(45) **Date of Patent:** **\*\* Jan. 18, 2022**

(54) **REMOTE CONTROLLER**

(71) Applicant: **SHENZHEN AIKEGLOBAL INDUSTRIAL CO., LTD**, Shenzhen (CN)

(72) Inventor: **Dandan Hao**, Shenzhen (CN)

(73) Assignee: **SHENZHEN AIKEGLOBAL INDUSTRIAL CO., LTD**, Shenzhen (CN)

(\*\*) Term: **15 Years**

(21) Appl. No.: **29/775,719**

(22) Filed: **Mar. 25, 2021**

(51) **LOC (13) Cl.** ..... **14-03**

(52) **U.S. Cl.**  
USPC ..... **D14/218**

(58) **Field of Classification Search**  
USPC ..... D14/218; D13/168  
CPC ..... A61B 5/00  
See application file for complete search history.

(56) **References Cited**

**U.S. PATENT DOCUMENTS**

D333,636 S *	3/1993	Issa	.....	D10/106.1
D402,966 S *	12/1998	Lim	.....	D13/168
D431,486 S *	10/2000	Iseli	.....	D10/106.1
D478,895 S	8/2003	Oikawa		
D484,467 S *	12/2003	de Leon	.....	D13/168
D496,031 S *	9/2004	Ma	.....	D10/104.1
D506,982 S *	7/2005	Murtaugh	.....	D13/168
D520,991 S *	5/2006	Ma	.....	D14/240
D524,255 S *	7/2006	Geringer	.....	D13/168
D571,305 S *	6/2008	Thursfield	.....	D13/168
D698,754 S *	2/2014	Vuillet	.....	D14/218
D720,304 S *	12/2014	Haug	.....	D13/168
D752,025 S *	3/2016	Akana	.....	D14/218

D778,877 S *	2/2017	Lin	.....	D14/218
D793,367 S *	8/2017	Kato	.....	D14/218
D802,677 S	11/2017	Hung		
D811,371 S *	2/2018	Meyer	.....	D14/218
D828,336 S *	9/2018	Matvienko	.....	D14/218
D865,718 S *	11/2019	Russo	.....	D14/218
D874,439 S *	2/2020	Gong	.....	D14/218
D913,816 S *	3/2021	Fu	.....	D10/49
D934,817 S *	11/2021	Svard	.....	D13/168

**FOREIGN PATENT DOCUMENTS**

CN 306230750 \* 12/2020

**OTHER PUBLICATIONS**

Bluetooth Shutter Remote, DH Gate website 2021, site visited Nov. 23, 2021, <https://www.dhgate.com/product/handheld-selfie-monopod-button-bluetooth/421364633.html>.\*

\* cited by examiner

*Primary Examiner* — John R Yeh

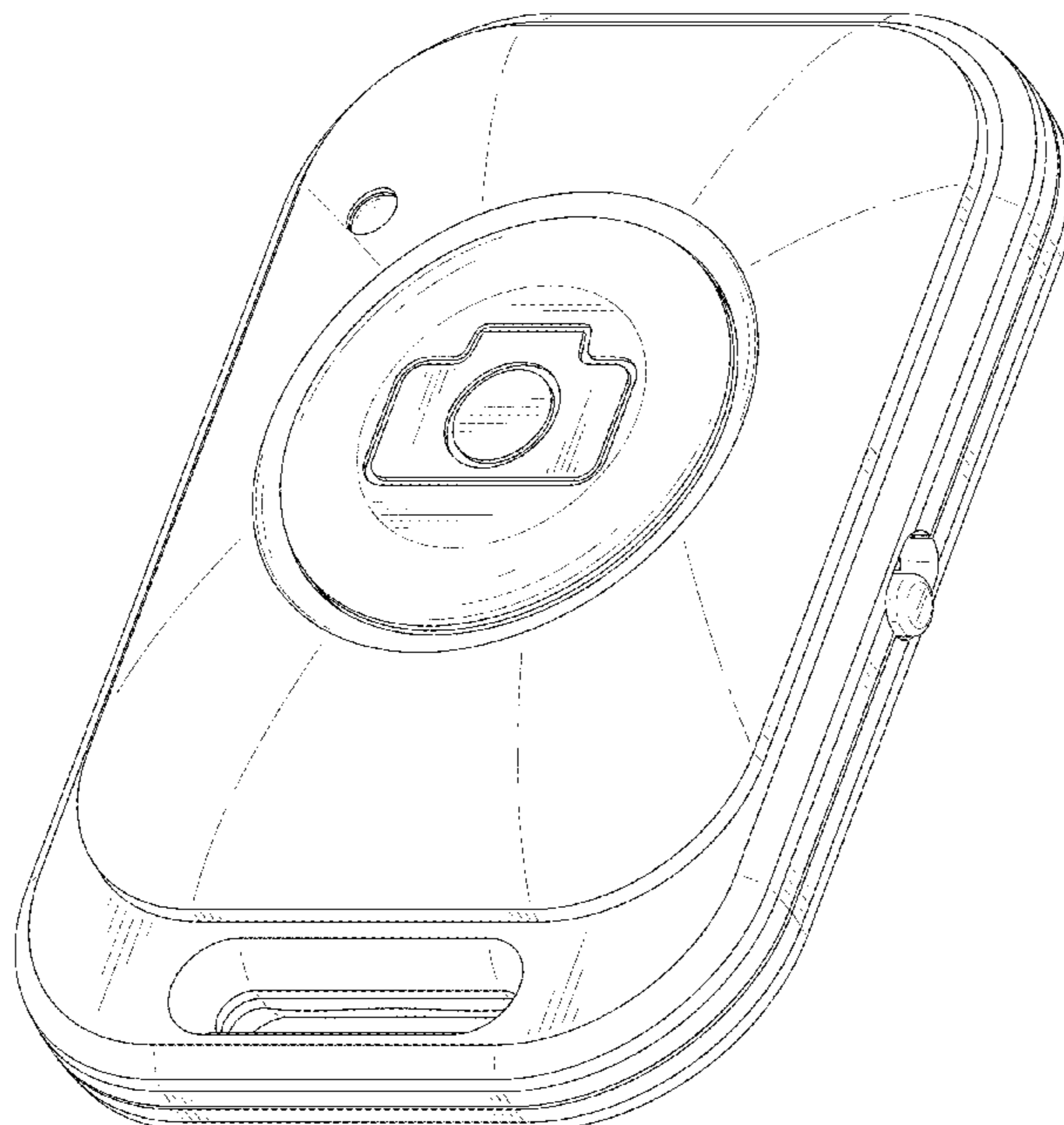
(57) **CLAIM**

The ornamental design for a remote controller, as shown and described.

**DESCRIPTION**

FIG. 1 is a perspective view of a remote controller showing my new design;  
FIG. 2 is another perspective view thereof;  
FIG. 3 is a front elevational view thereof;  
FIG. 4 is a rear elevational view thereof;  
FIG. 5 is a left side elevational view thereof;  
FIG. 6 is a right side elevational view thereof;  
FIG. 7 is a top plan view thereof; and,  
FIG. 8 is a bottom plan view thereof.

**1 Claim, 8 Drawing Sheets**



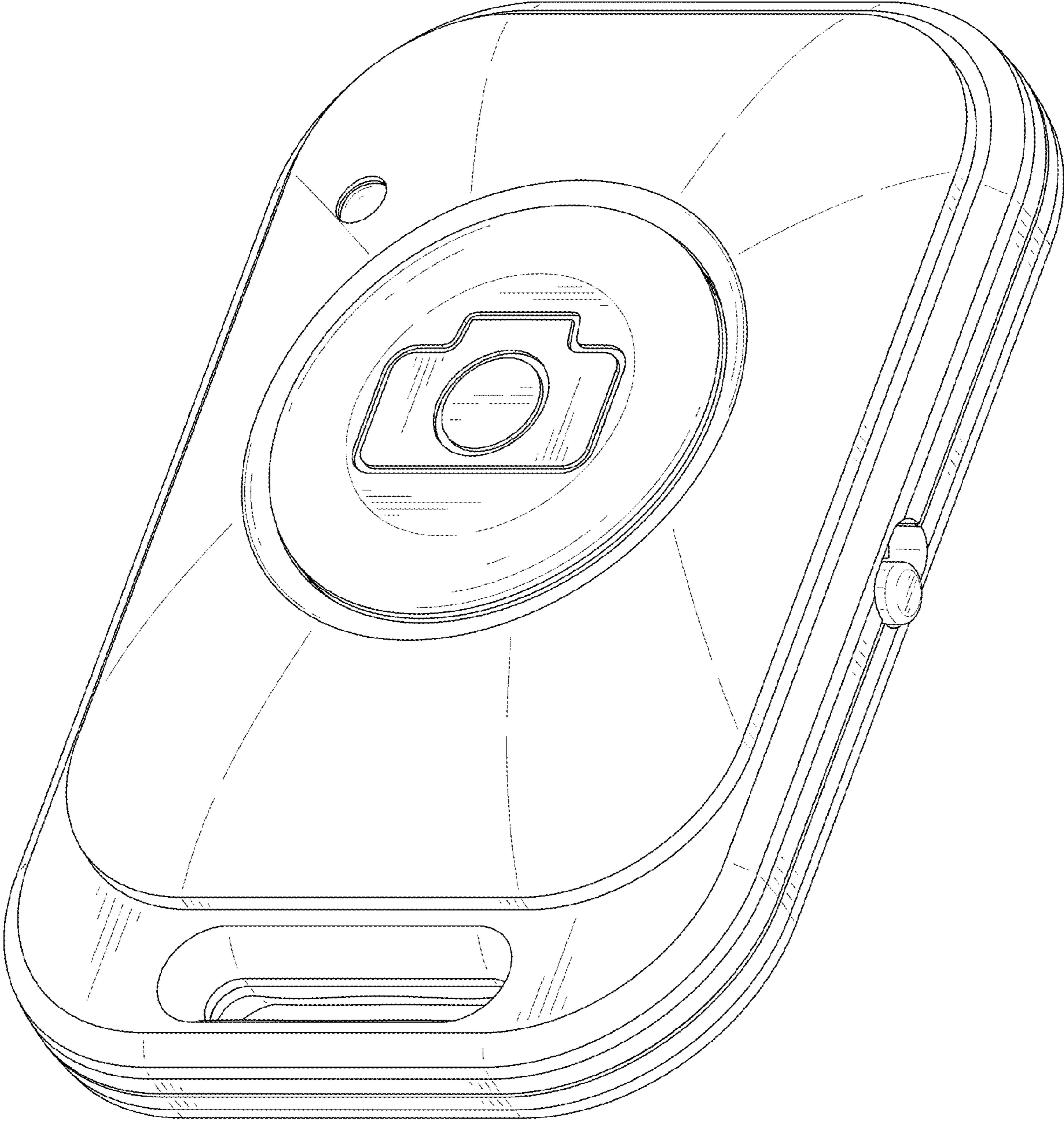


FIG. 1



FIG. 2

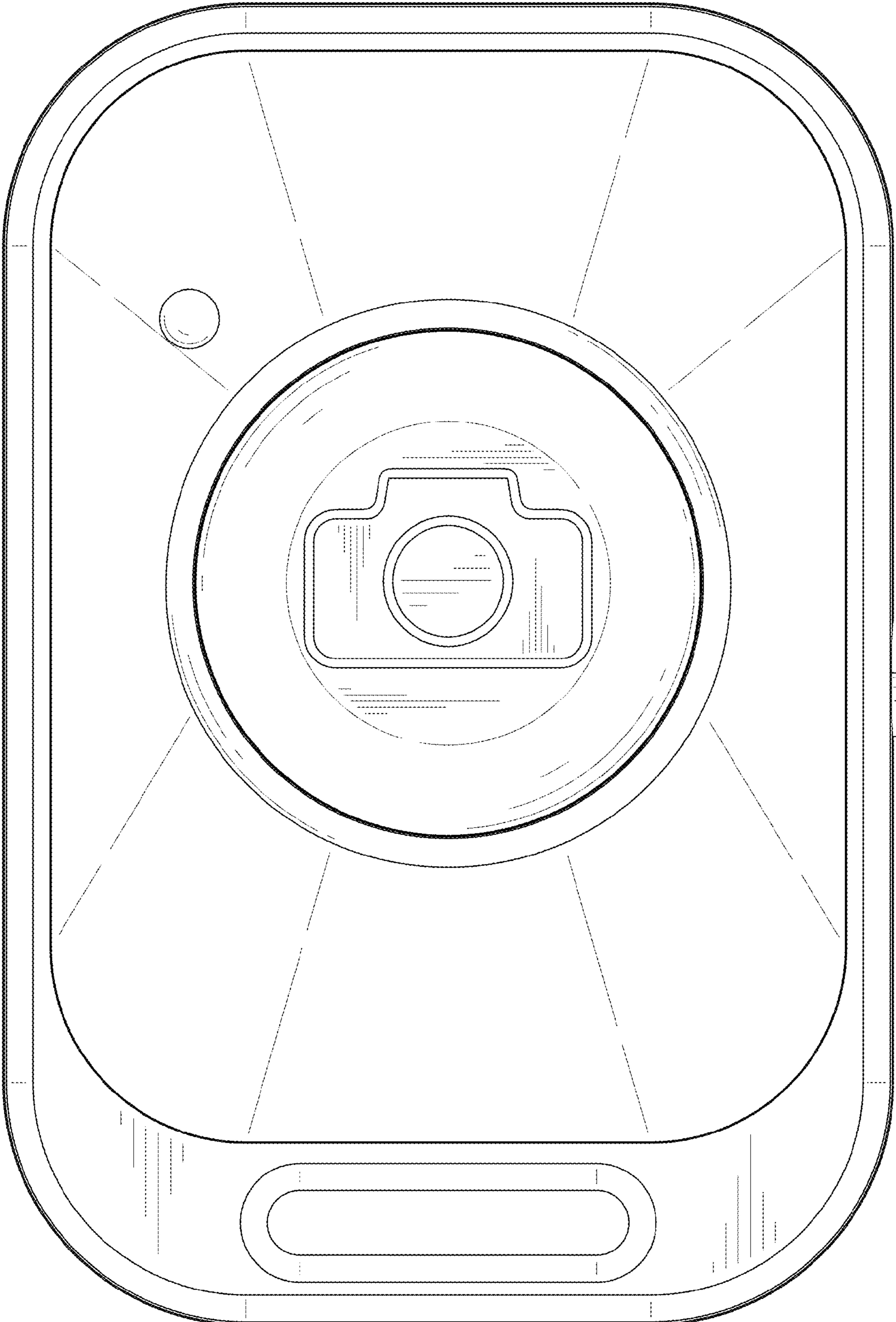


FIG. 3

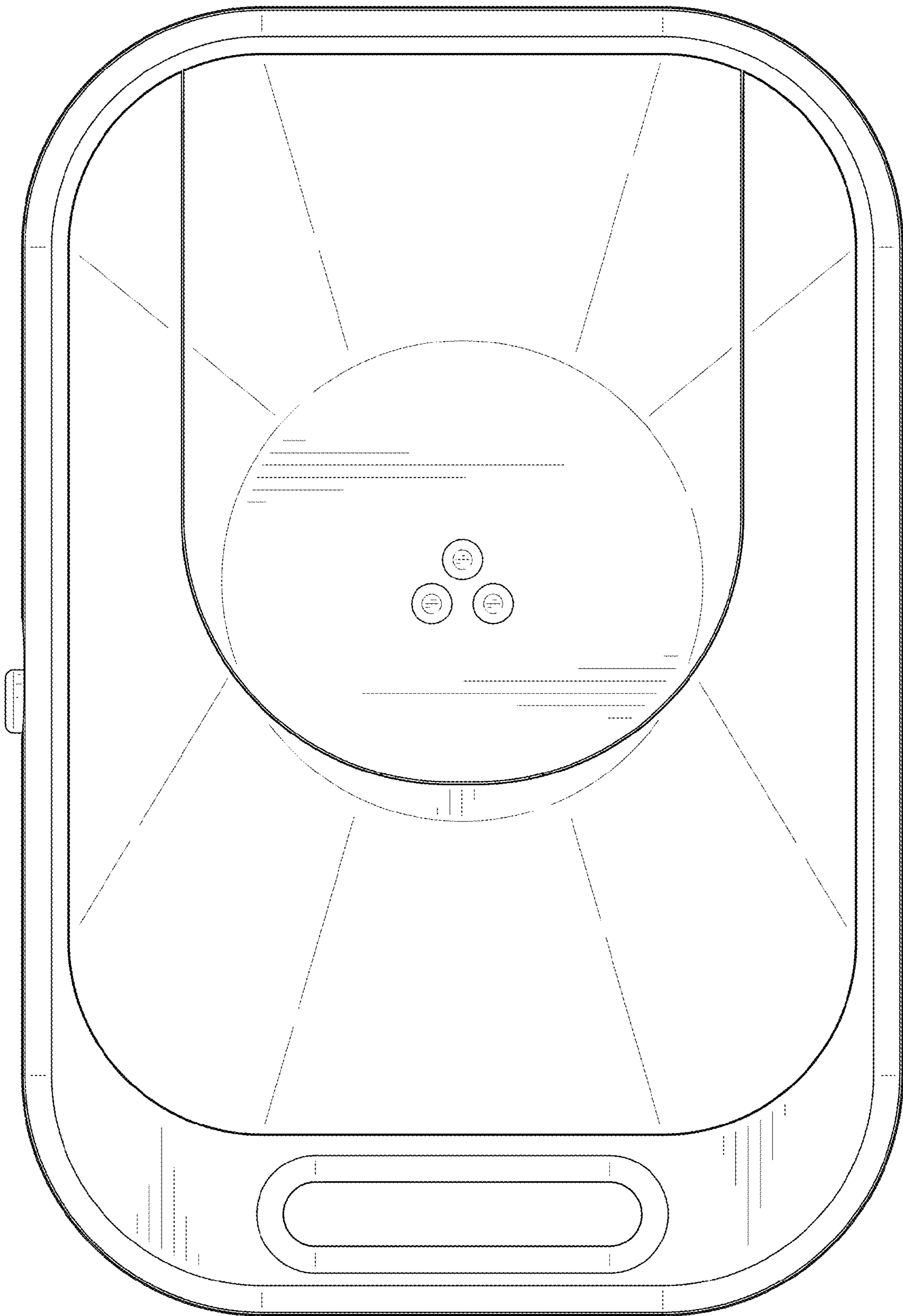


FIG. 4

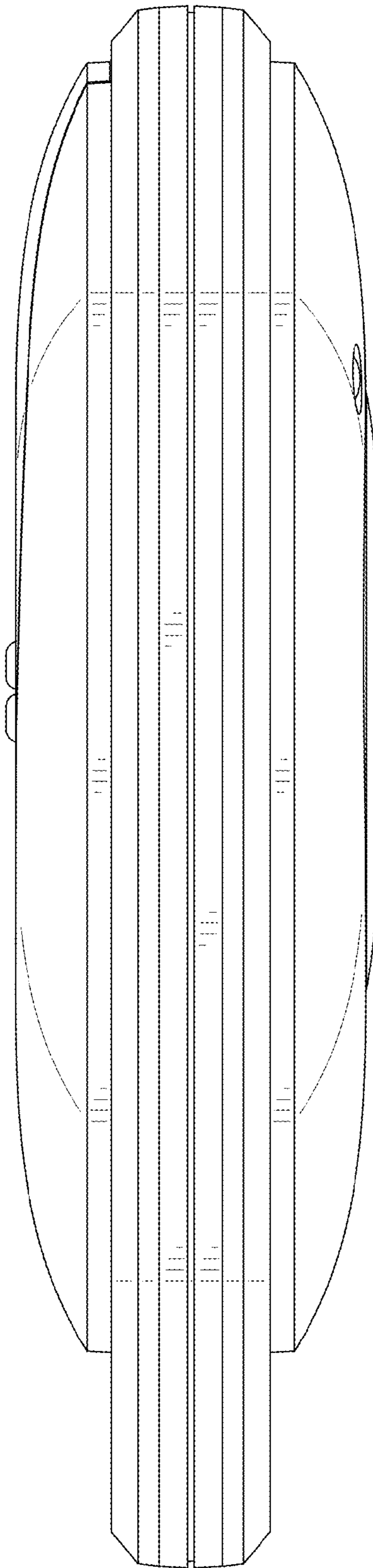


FIG. 5

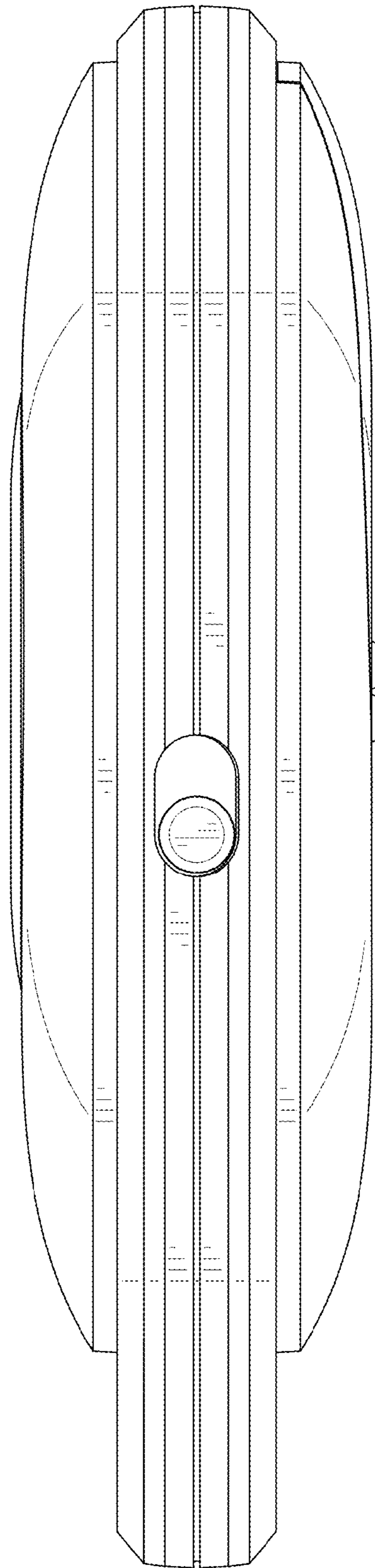


FIG. 6

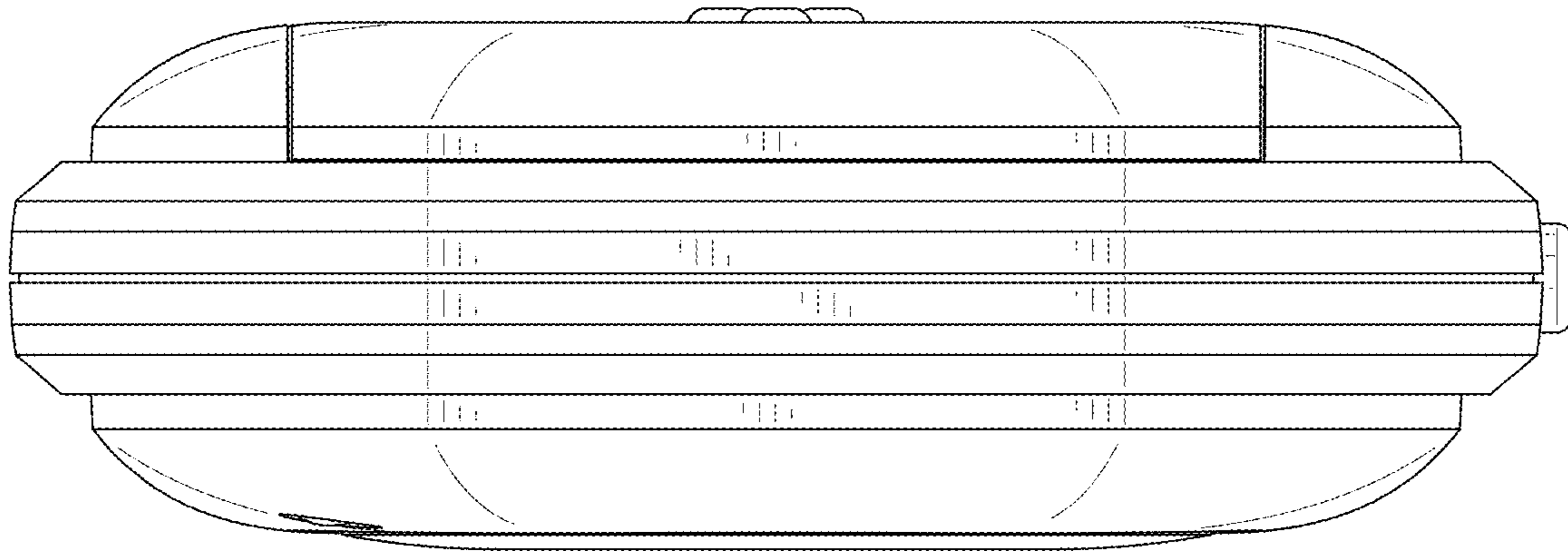


FIG. 7



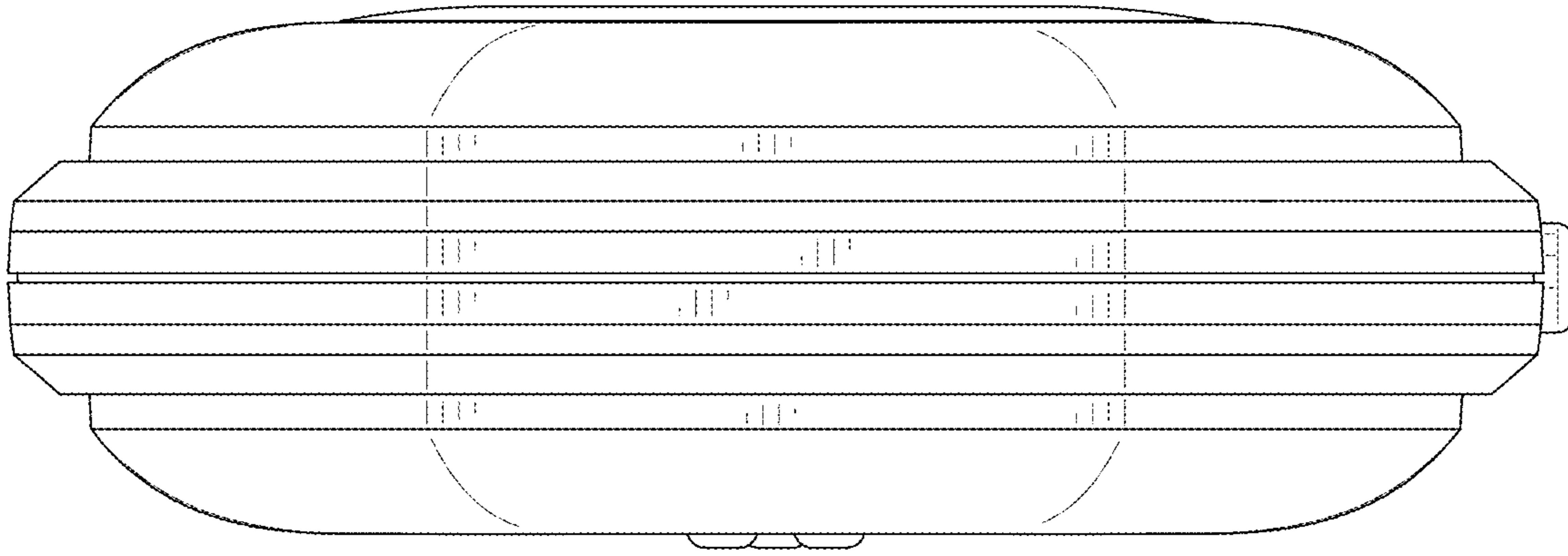


FIG. 8