



US00D941264S

(12) **United States Design Patent**
Gonzalez et al.

(10) **Patent No.:** **US D941,264 S**
(45) **Date of Patent:** **** Jan. 18, 2022**

(54) **SPEAKER**

(71) Applicant: **Tempus Labs**, Chicago, IL (US)

(72) Inventors: **Brianna Gonzalez**, Chicago, IL (US);
Scot Herbst, Santa Cruz, CA (US);
Elisabeth Morris, Santa Cruz, CA
(US); **William Hunter**, Denver, CO
(US)

(73) Assignee: **Tempus Labs, Inc.**, Chicago, IL (US)

(**) Term: **15 Years**

(21) Appl. No.: **29/758,927**

(22) Filed: **Nov. 19, 2020**

Related U.S. Application Data

(63) Continuation of application No. 29/728,691, filed on Mar. 20, 2020, now Pat. No. Des. 905,662, which is a continuation-in-part of application No. 29/693,538, filed on Jun. 3, 2019, now Pat. No. Des. 897,991.

(51) **LOC (13) Cl.** **14-03**

(52) **U.S. Cl.**
USPC **D14/214**

(58) **Field of Classification Search**

USPC D14/167, 168, 170–172, 188, 194–196,
D14/204, 209.1, 210–216, 219, 221, 222,
D14/224, 239, 496
CPC B60R 11/0217; G06F 1/1688; G10K 9/22;
G10K 11/004; H03F 1/327; H04M 1/03;
H04M 1/035; H04N 5/642; H04N
21/4852; H04R 1/02; H04R 1/06; H04R
1/021; H04R 1/025; H04R 1/026; H04R
1/028; H04R 1/105; H04R 1/323; H04R
1/403; H04R 1/2803; H04R 1/2834;
H04R 5/02; H04R 7/20; H04R 9/06;
H04R 9/025; H04R 2201/021; H04R
2400/00; H04R 2400/07; H04R 2499/11;
H04R 2499/13; H04R 2499/15; H04S
3/00; H04S 7/30

See application file for complete search history.

(56) **References Cited**

U.S. PATENT DOCUMENTS

D110,333 S 7/1938 Aizic
D229,066 S 11/1973 Ingvar
D230,489 S 2/1974 Everitt
D242,259 S 11/1976 Babb

(Continued)

FOREIGN PATENT DOCUMENTS

EM 000649074-0001 S 1/2007
EM 000955091-0001 S 6/2008

(Continued)

Primary Examiner — Keli L Hill

(74) *Attorney, Agent, or Firm* — Quarles & Brady LLP

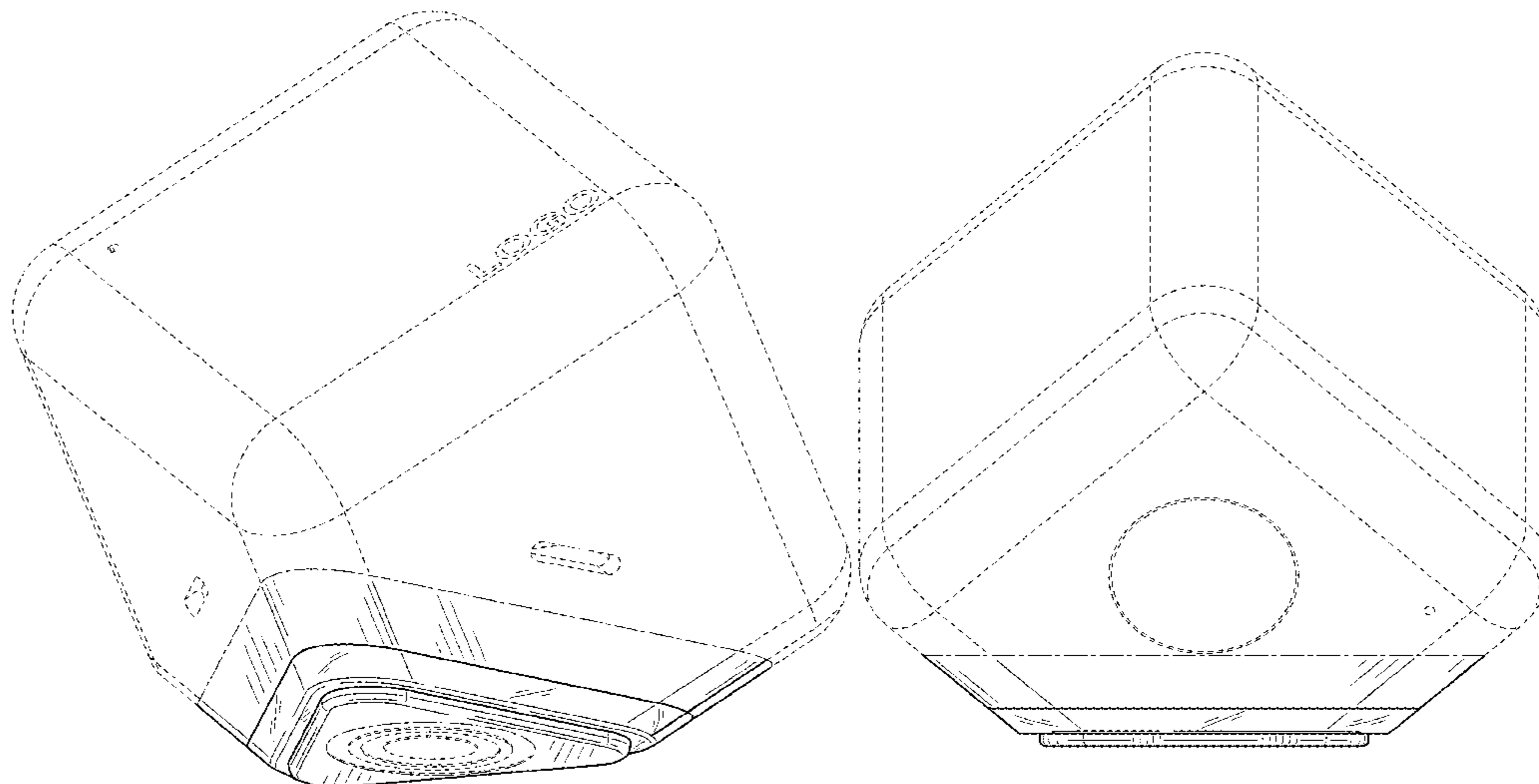
(57) **CLAIM**

The ornamental design for a speaker, as shown and described.

DESCRIPTION

FIG. 1 is an isometric view of a bottom, front, and left side of an ornamental design for a speaker; FIG. 2 is a front elevational view of the speaker of FIG. 1; FIG. 3 is a rear elevational view of the speaker of FIG. 1; FIG. 4 is a left side elevational view of the speaker of FIG. 1; FIG. 5 is a right side elevational view of the speaker of FIG. 1; FIG. 6 is a top plan view of the speaker of FIG. 1; and, FIG. 7 is a bottom plan view of the speaker of FIG. 1. The dash-dash-dash lines are included for the purpose of illustrating portions that form no part of the claimed design. The dash-dot-dash lines are included for the purpose of illustrating boundary lines and form no part of the claimed design.

1 Claim, 7 Drawing Sheets



(56)

References Cited

U.S. PATENT DOCUMENTS

D247,489 S 3/1978 Jabara
 D278,032 S 3/1985 de Mourgues
 D294,494 S 3/1988 Kountz et al.
 D305,659 S 1/1990 Fuke
 D324,685 S 3/1992 Strohbeen
 D324,686 S 3/1992 Strohbeen
 5,106,015 A * 4/1992 Vlasaty B65D 5/746
 222/540
 D335,474 S 5/1993 Patterson, Jr. et al.
 D406,845 S 3/1999 Goto
 D430,565 S 9/2000 Crane, Jr. et al.
 D435,538 S 12/2000 Osborne
 D442,165 S 5/2001 Cho
 D478,811 S 8/2003 Huang
 D500,297 S 12/2004 Chan
 D557,256 S 12/2007 Joseph
 D565,544 S 4/2008 Han et al.
 D586,777 S 2/2009 Joseph
 D612,837 S 3/2010 Murray
 D626,938 S 11/2010 Moore et al.
 D630,632 S 1/2011 Puls et al.
 D638,821 S 5/2011 Hoehn et al.
 D639,774 S 6/2011 Rader et al.
 D644,204 S 8/2011 Poandl
 D657,348 S 4/2012 Shim et al.
 D676,421 S 2/2013 Garrett
 D690,280 S 9/2013 Schul
 D691,983 S 10/2013 Vaughan et al.
 D692,411 S 10/2013 Joseph
 D711,237 S 8/2014 Fleischhacker
 D714,249 S 9/2014 Carney et al.
 D718,275 S 11/2014 Shim et al.
 D718,714 S 12/2014 Si
 D718,715 S 12/2014 Si
 D723,479 S 3/2015 Lee et al.
 D725,624 S 3/2015 Carney et al.
 8,967,323 B1 3/2015 Grenier
 D734,895 S 7/2015 Liu
 D735,415 S 7/2015 Thompson
 D747,697 S 1/2016 Wildner et al.

D750,046 S 2/2016 Wong
 D754,101 S 4/2016 McManigal
 D754,102 S 4/2016 Sun
 D754,103 S 4/2016 Fischer et al.
 D755,160 S 5/2016 Ponce
 D756,913 S * 5/2016 Esses D13/107
 D758,345 S 6/2016 Fujioka
 D761,230 S 7/2016 Si
 D763,819 S 8/2016 Silvera
 D763,825 S 8/2016 Zamir et al.
 D771,018 S 11/2016 Espinosa et al.
 D772,160 S 11/2016 Roberts et al.
 D779,455 S 2/2017 Balcerzak et al.
 D787,513 S 5/2017 Basil
 D791,214 S 7/2017 Park et al.
 D800,095 S 10/2017 Yao
 D808,337 S 1/2018 Roberts et al.
 D811,329 S 2/2018 Roberts et al.
 D815,950 S 4/2018 Zhang
 D816,062 S 4/2018 Park et al.
 D819,593 S 6/2018 Lee
 D826,206 S 8/2018 Elmieh et al.
 D856,976 S 8/2019 Kang et al.
 D865,755 S 11/2019 Tang
 D868,737 S 12/2019 Roberts
 D874,432 S 2/2020 Savage et al.
 D897,991 S * 10/2020 Gonzalez D14/214
 D905,662 S * 12/2020 Gonzalez B65D 5/746
 D14/214
 2009/0226019 A1 9/2009 Koren

FOREIGN PATENT DOCUMENTS

EM 002008904-0001 S 3/2012
 EM 001376792-0002 S 7/2013
 EM 002473678-0001 S 5/2014
 EM 002717926-0001 S 6/2015
 EM 002717926-0002 S 6/2015
 EM 003160787-0001 S 5/2016
 HK 1501623.9M001 10/2015
 JP 1582820 S 7/2017
 TW D122039 3/2008

* cited by examiner

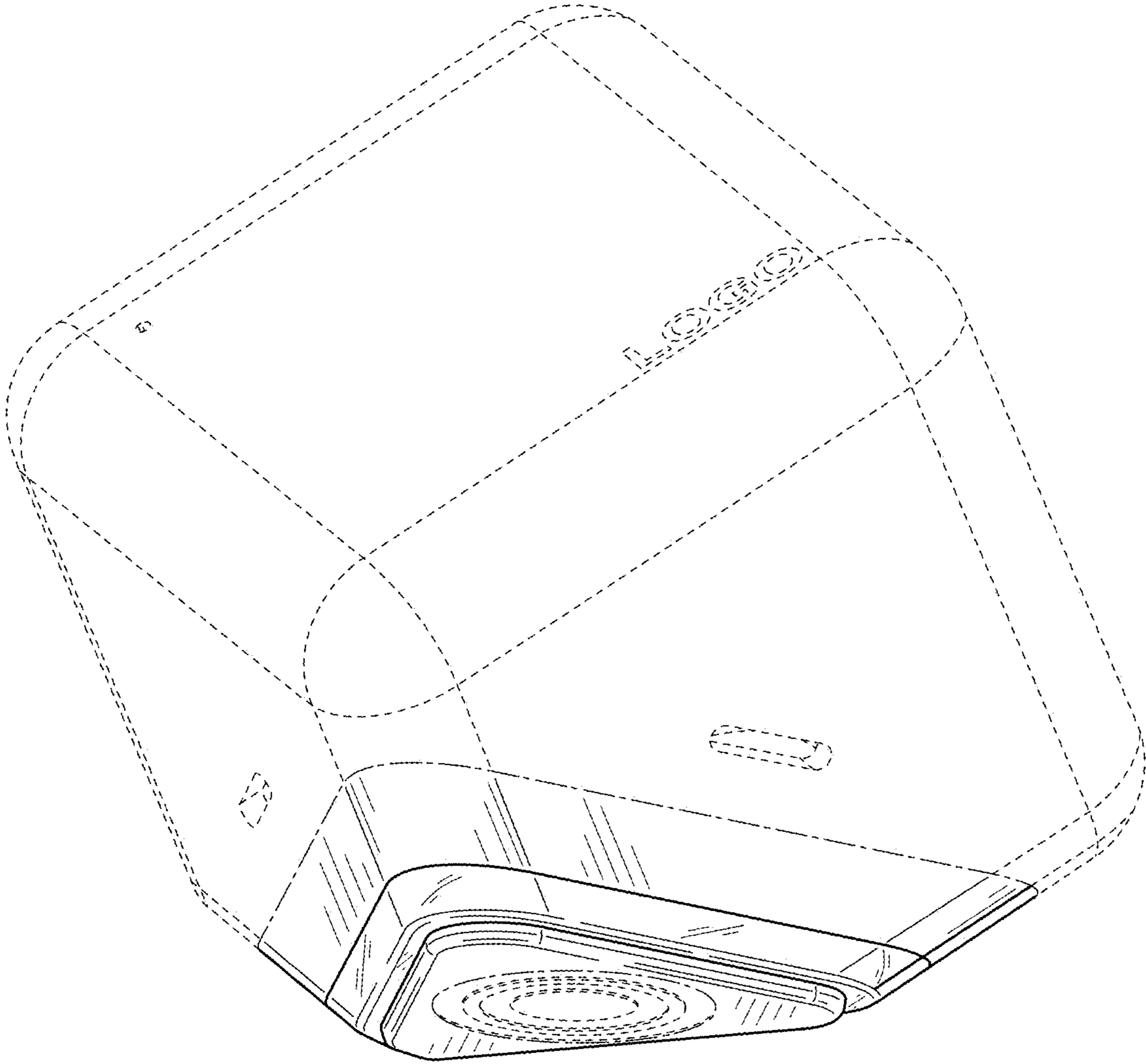


FIG. 1

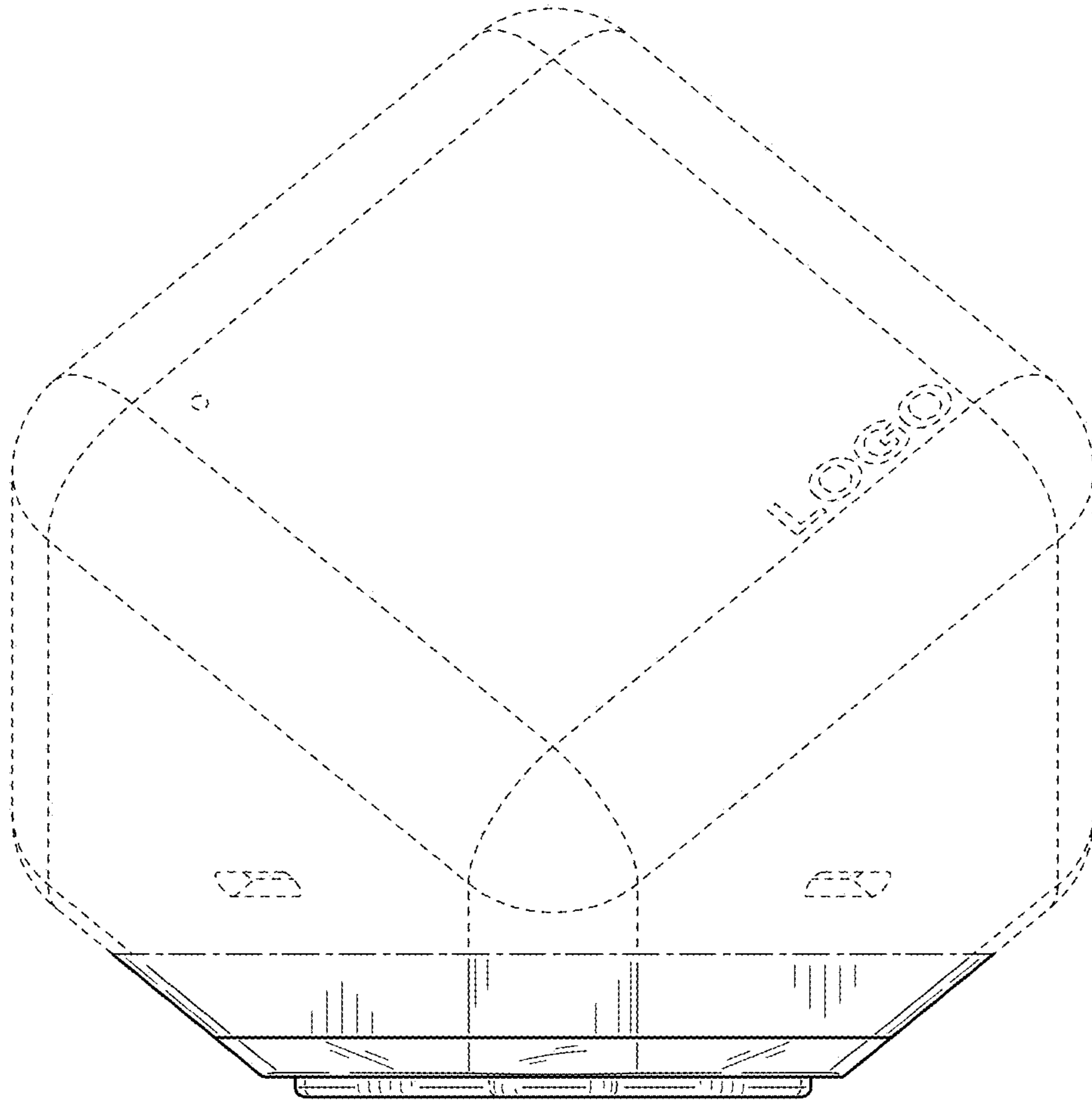


FIG. 2

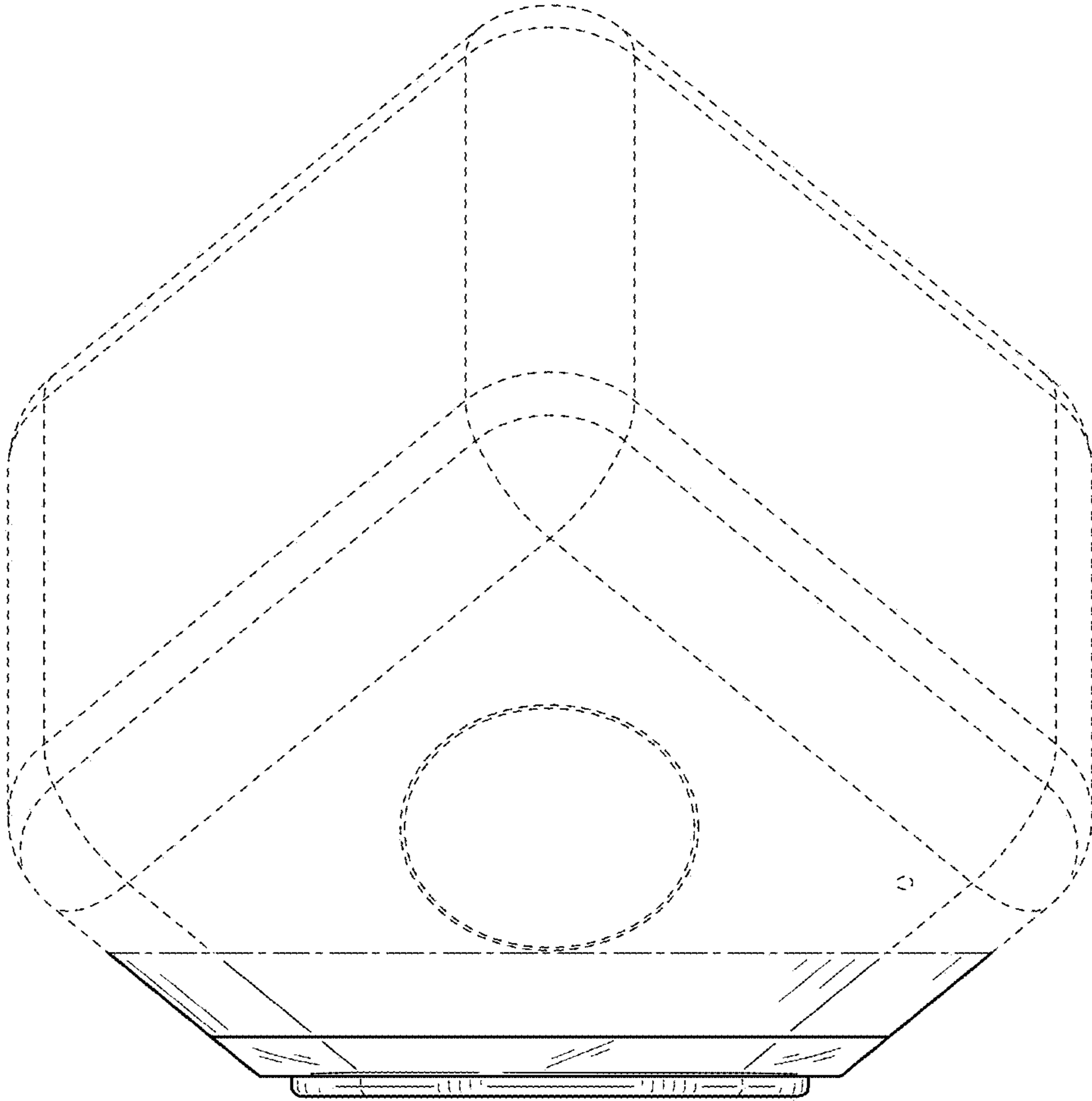


FIG. 3

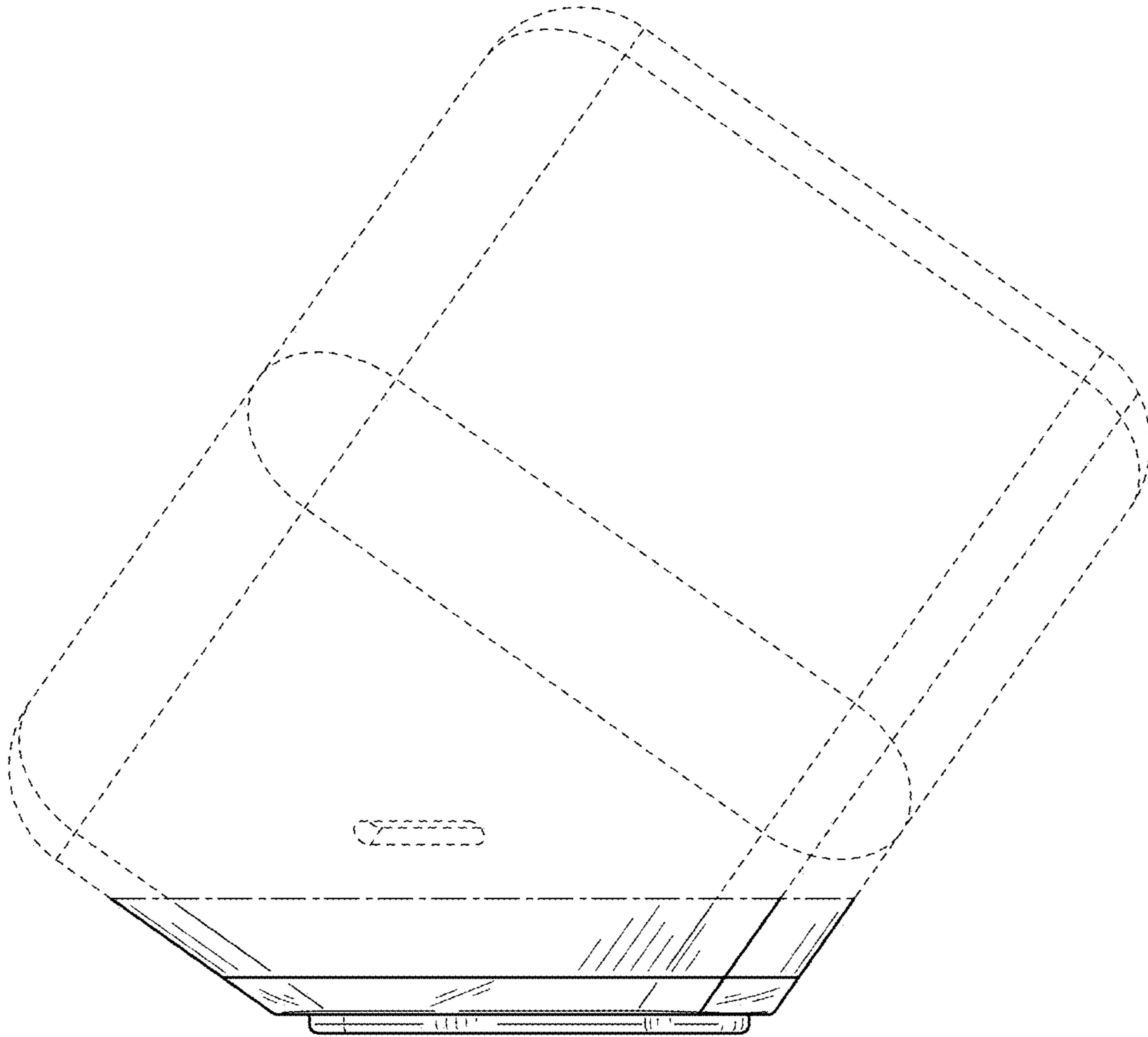


FIG. 4

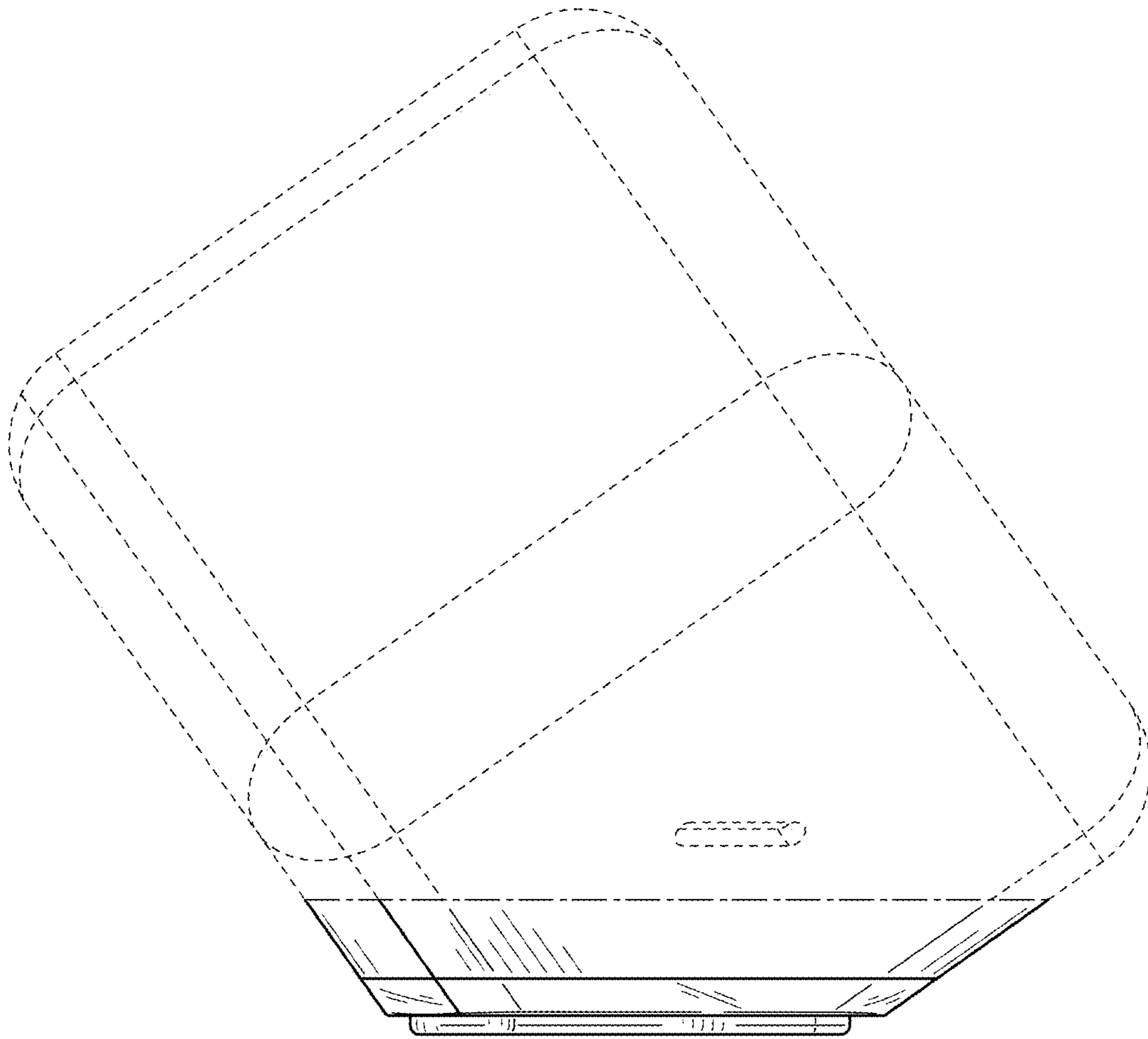


FIG. 5

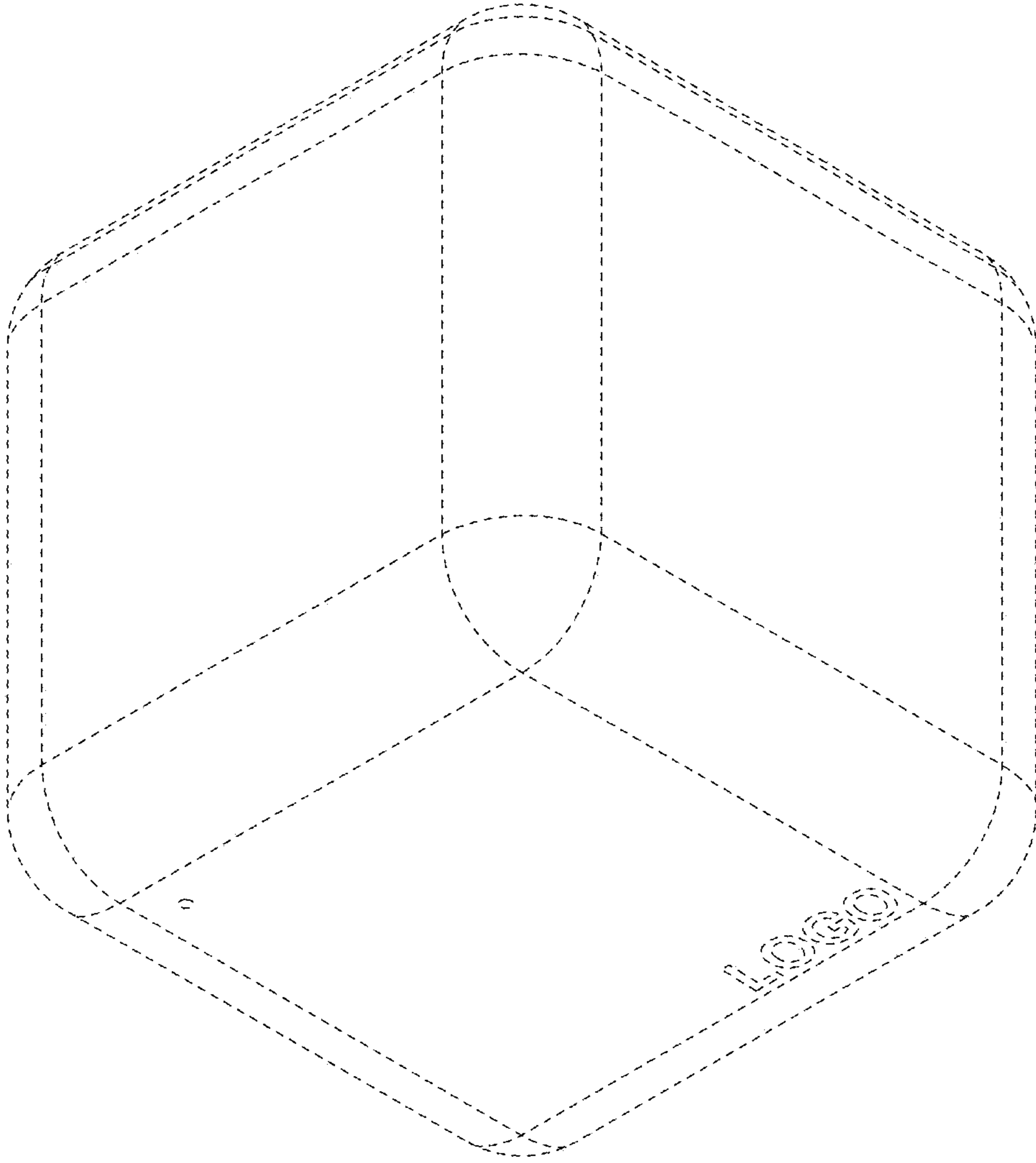


FIG. 6

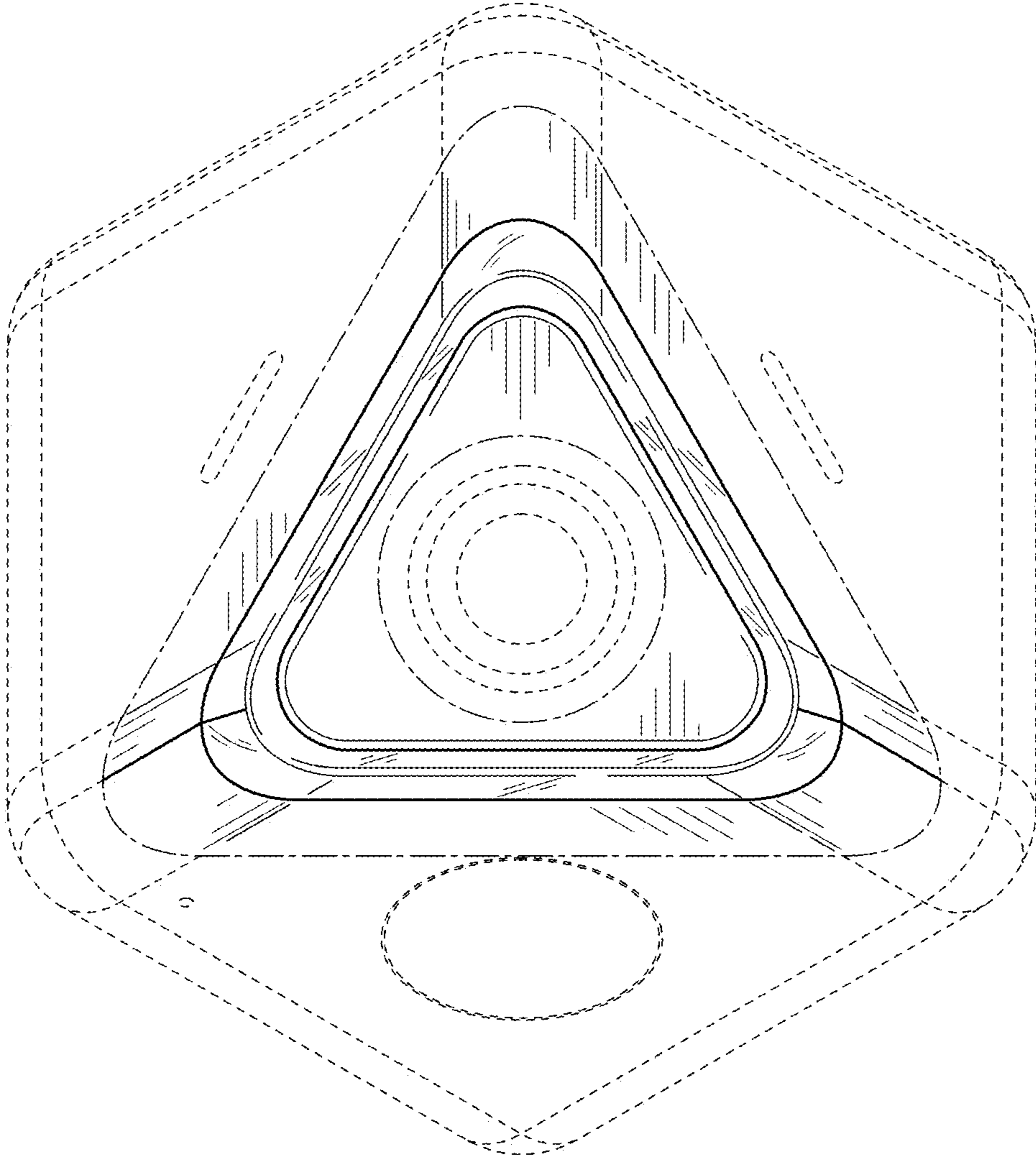


FIG. 7