



US00D941263S

(12) **United States Design Patent**
Kasten et al.

(10) **Patent No.:** **US D941,263 S**
(45) **Date of Patent:** **** Jan. 18, 2022**

(54) **LOUDSPEAKER CABINET**

(71) Applicant: **Robert Bosch GmbH**, Stuttgart (DE)

(72) Inventors: **Michael D. Kasten**, Apple Valley, MN (US); **Michael P. Carpenter**, Brooklyn Park, MN (US)

(73) Assignee: **Robert Bosch GmbH**, Stuttgart (DE)

(**) Term: **15 Years**

(21) Appl. No.: **29/668,551**

(22) Filed: **Oct. 31, 2018**

Related U.S. Application Data

(62) Division of application No. 29/591,281, filed on Jan. 18, 2017, now Pat. No. Des. 837,187.

(51) **LOC (13) Cl.** **14-03**

(52) **U.S. Cl.**
USPC **D14/214; D14/204**

(58) **Field of Classification Search**
USPC D14/167, 168, 170–172, 188, 194–196, D14/204, 207, 209.1, 210–216, 219, 221, D14/222, 224, 239, 496; 181/143, 144, 181/147, 148, 150, 153, 157, 198, 199; 381/300–303, 306, 332, 333, 336, 345, 381/361–364, 386–388; 369/6–12
CPC B60R 11/0217; G06F 1/1688; G10K 9/22; G10K 11/004; H03F 1/327; H04M 1/03; H04M 1/035; H04N 5/642; H04N 21/4852; H04R 1/02; H04R 1/06; H04R 1/021; H04R 1/025; H04R 1/026; H04R 1/028; H04R 1/105; H04R 1/323; H04R 1/403; H04R 1/2803; H04R 1/2834; H04R 5/02; H04R 7/20; H04R 9/06; H04R 9/025; H04R 2201/021; H04R 2400/00; H04R 2201/07; H04R 2499/11; H04R 2499/13; H04R 2499/15; H04S 3/00; H04S 7/30

See application file for complete search history.

(56) **References Cited**

U.S. PATENT DOCUMENTS

D359,286 S 6/1995 Fujino
D394,263 S 5/1998 Fischer
D439,237 S 3/2001 Felix et al.
D502,460 S 3/2005 Ueda et al.

(Continued)

OTHER PUBLICATIONS

Electro-Voice “EVH” Model Loudspeakers, <<https://products.electrovoice.com/na/en/evh/>>, publicly available at least as early as Jun. 2020, (2 pages).

(Continued)

Primary Examiner — Keli L Hill

(74) *Attorney, Agent, or Firm* — Michael Best & Friedrich LLP

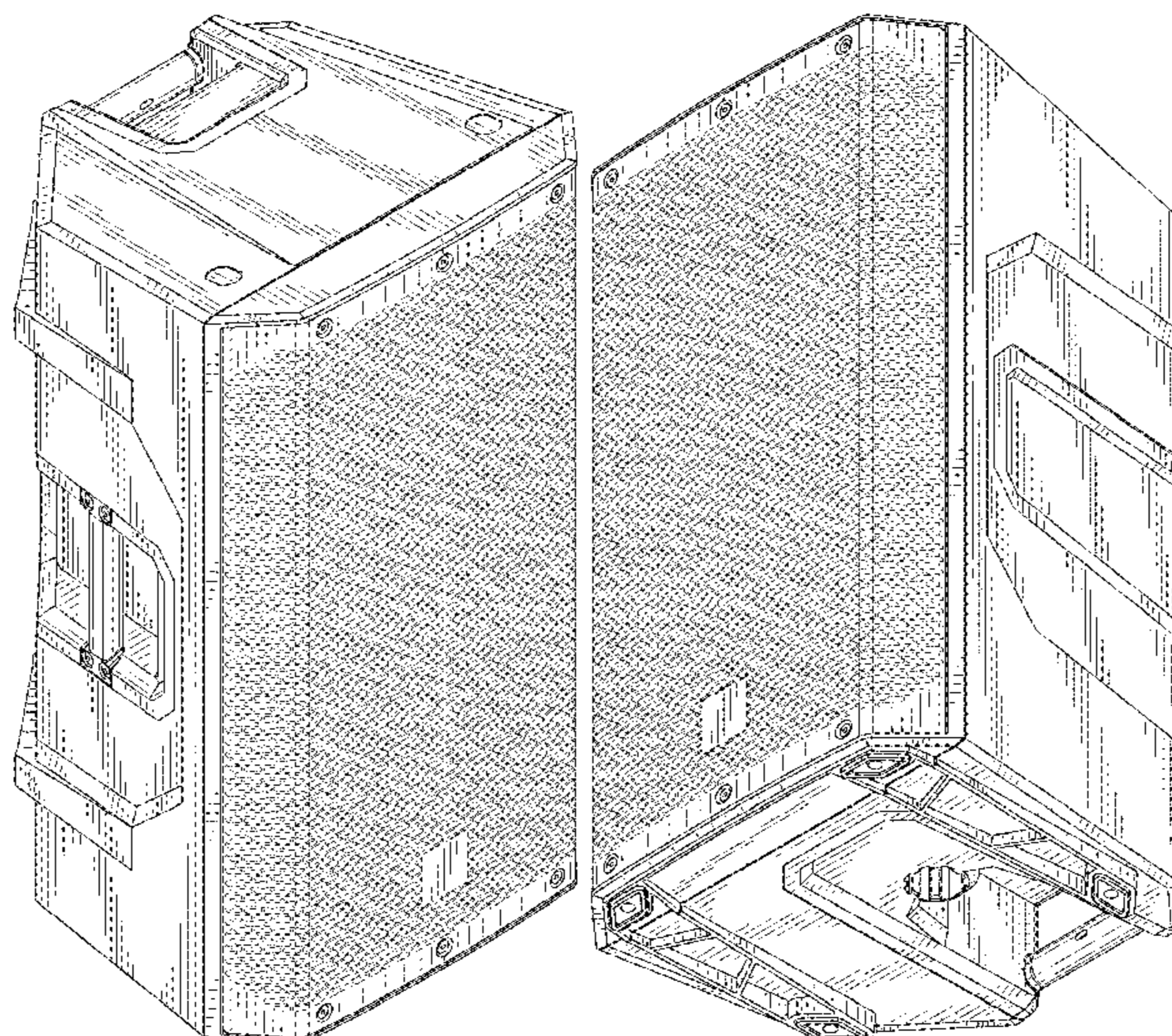
(57) **CLAIM**

We claim the ornamental design for a loudspeaker cabinet, as shown and described in the figures.

DESCRIPTION

FIG. 1 is a top, front and left side perspective view of a loudspeaker cabinet, showing our new design; FIG. 2 is top, front and right side perspective view thereof; FIG. 3 is a bottom, front and left side perspective view thereof; FIG. 4 is a bottom, front and right side perspective view thereof; FIG. 5 is a front elevation view thereof; FIG. 6 is a rear elevation view thereof; FIG. 7 is a left side elevation view thereof; FIG. 8 is a right side elevation view thereof; FIG. 9 is a top plan view thereof; and, FIG. 10 is a bottom plan view thereof.

1 Claim, 10 Drawing Sheets



(56)

References Cited

U.S. PATENT DOCUMENTS

D565,549 S 4/2008 Sawhney
 D568,293 S 5/2008 Sawhney et al.
 D568,294 S 5/2008 Sawhney et al.
 D591,724 S 5/2009 Davies et al.
 D595,693 S 7/2009 Hussey et al.
 D609,216 S 2/2010 Davies et al.
 D637,580 S 5/2011 Aranda, Jr. et al.
 D638,400 S 5/2011 Hawkins et al.
 D642,555 S 8/2011 Hawkins et al.
 D657,343 S 4/2012 Cho
 D659,676 S 5/2012 Aquillano
 D682,250 S 5/2013 Mattioli
 D682,255 S 5/2013 Lum et al.
 D691,591 S 10/2013 Lum et al.
 D691,592 S 10/2013 Lum et al.
 D692,865 S 11/2013 Givre et al.
 D695,269 S 12/2013 Carpenter et al.
 D695,717 S 12/2013 Carpenter et al.
 D701,853 S 4/2014 Wilson
 D705,191 S 5/2014 Boudreau et al.
 D710,332 S 8/2014 Baird
 D710,827 S 8/2014 Lum
 D711,854 S 8/2014 Sulzer et al.
 D733,680 S 7/2015 Nugent
 D734,697 S 7/2015 Hayashi
 D741,795 S 10/2015 Conrad
 D752,015 S 3/2016 Spillmann
 D762,192 S 7/2016 Redmon
 D764,444 S 8/2016 Sulzer et al.
 D776,086 S 1/2017 Baird et al.
 D862,411 S * 10/2019 Yang D14/204

D886,777 S * 6/2020 Bunning D14/204
 D907,600 S * 1/2021 Nugent D14/214
 D927,461 S * 8/2021 Carbone D14/210

OTHER PUBLICATIONS

JBL, "PD700i Series Precision Directivity Dual-Trap", <https://jblpro.com/en/product_families/pd700i-series-precision-directivity-dual-trap>, publicly available at least as early as Jun. 2020, (3 pages).
 Fulcrum Acoustic, "AH4-Higher-Output Coaxial Horn", <<https://www.fulcrum-acoustic.com/product/ah4-higher-output-coaxial-horn/>>, publicly available at least as early as Jun. 2020, (3 pages).
 Danley Sound Labs, "Synergy Horn", <<https://www.danleysoundlabs.com/products/loud-speakers/synergy-horn/>>, Jun. 2012, (2 pages).
 Danley Sound Labs, "Jericho Series", <<https://www.danleysoundlabs.com/jericho-series/>>, publicly available at least as early as Jun. 2020, (4 pages).
 JBL, "VRX:900 Series", <https://jblpro.com/en/product_families/vrx900-series>, publicly available at least as early as Jun. 2020, (7 pages).
 Turbosound, "TBV123", <[https://www.turbosound.com/product.html?modelCode=P0BHL#googtrans\(en|en\)](https://www.turbosound.com/product.html?modelCode=P0BHL#googtrans(en|en))>, publicly available at least as early as Jun. 2020, (9 pages).
 Turbosound, "TCS122/94", <[https://www.turbosound.com/product.html?modelCode=P0B79#googtrans\(en|en\)](https://www.turbosound.com/product.html?modelCode=P0B79#googtrans(en|en))>, publicly available at least as early as Jun. 2020, (7 pages).
 Electro-Voice "ZLX" Model Loudspeakers, Known to the public and offered for sale as of Jan. 24, 2013 (4 pages).

* cited by examiner

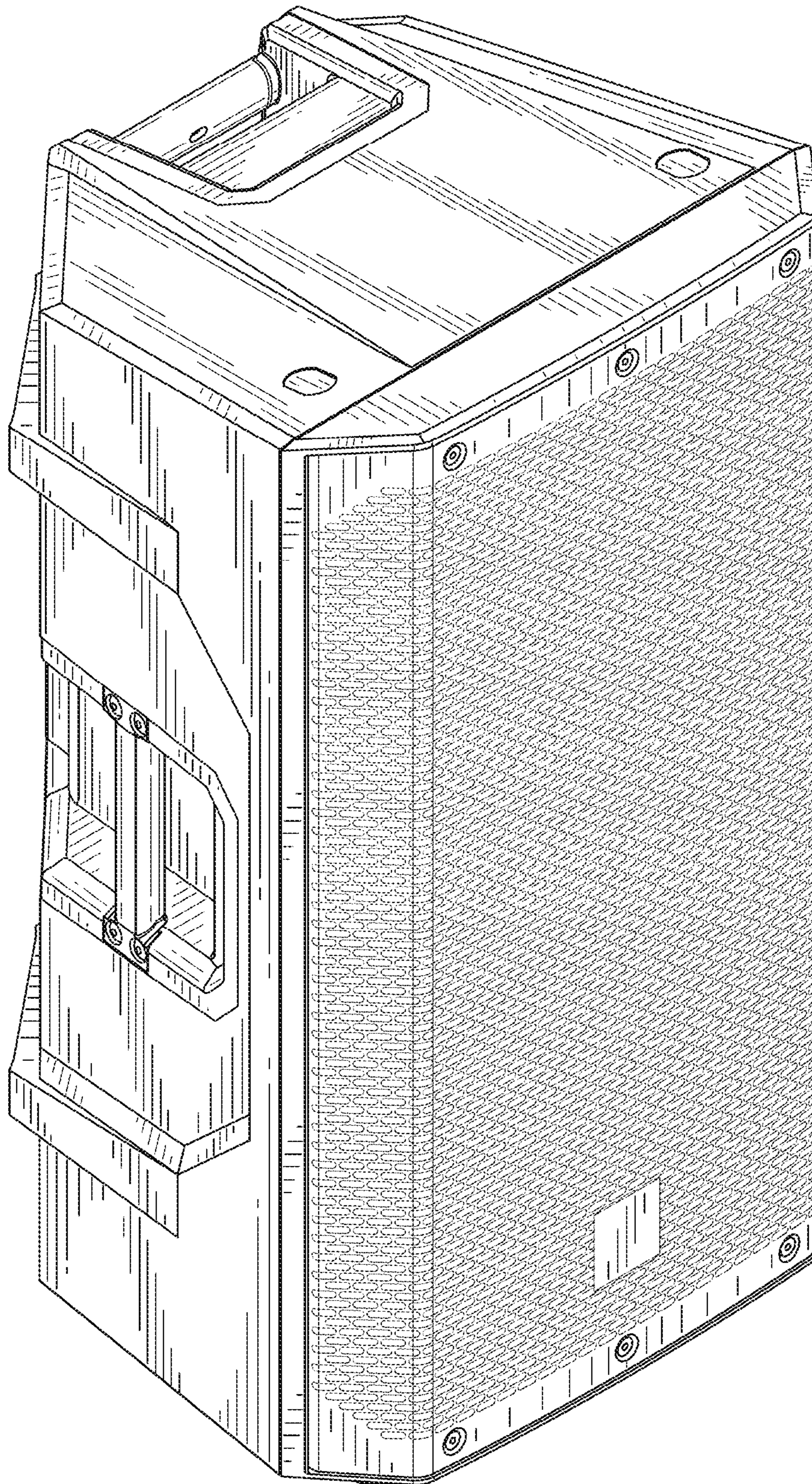


FIG. 1

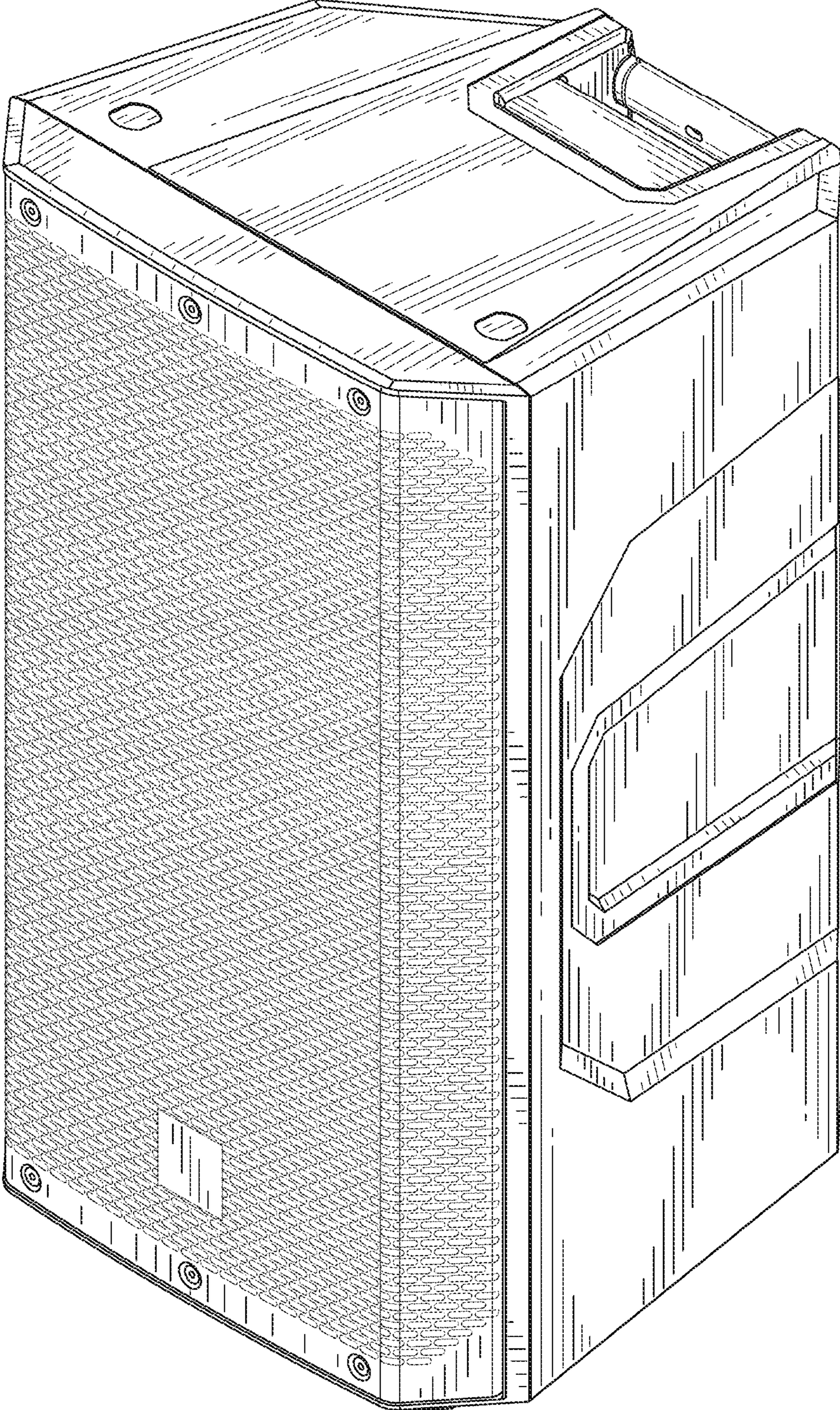


FIG. 2

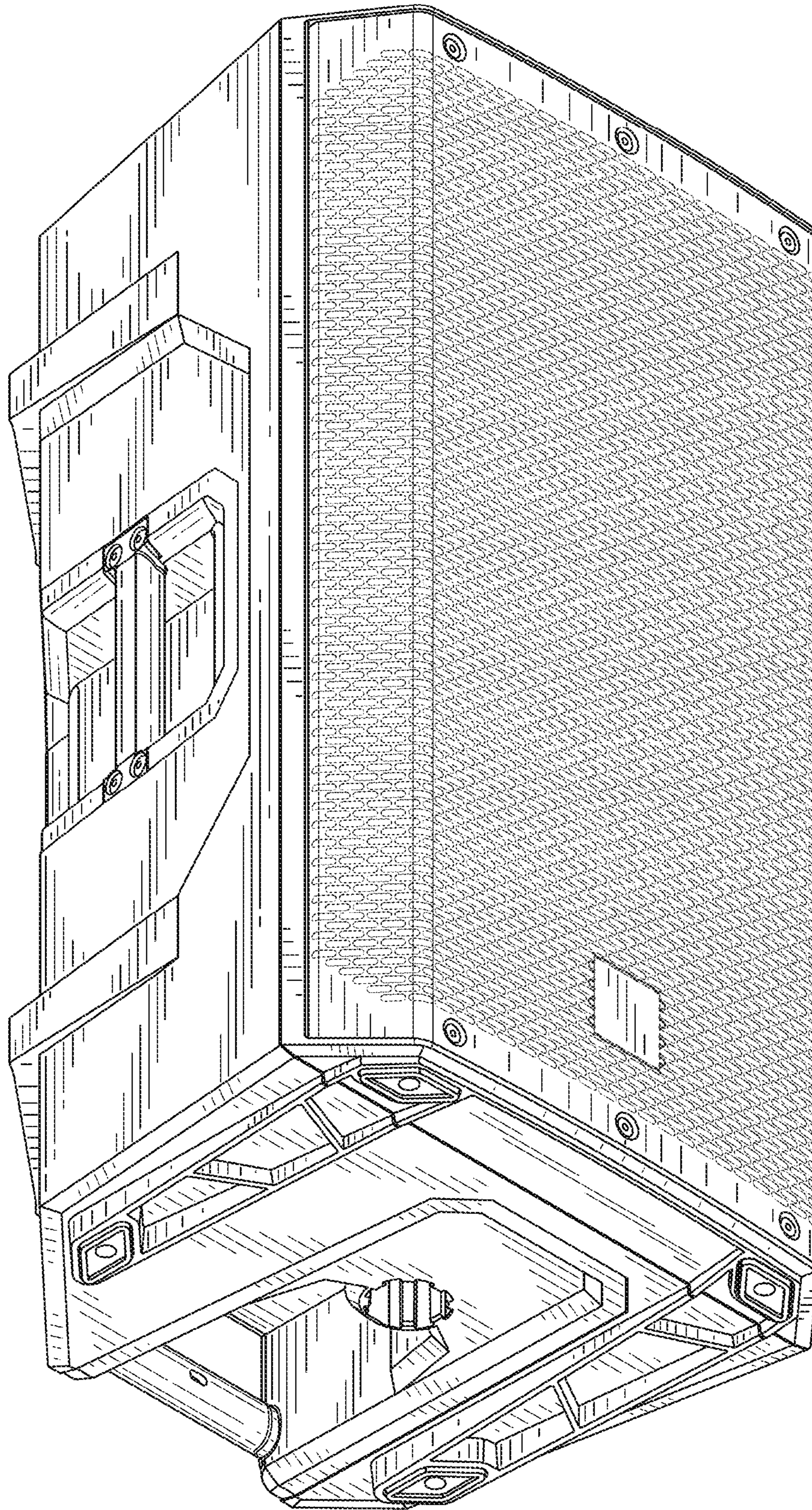


FIG. 3

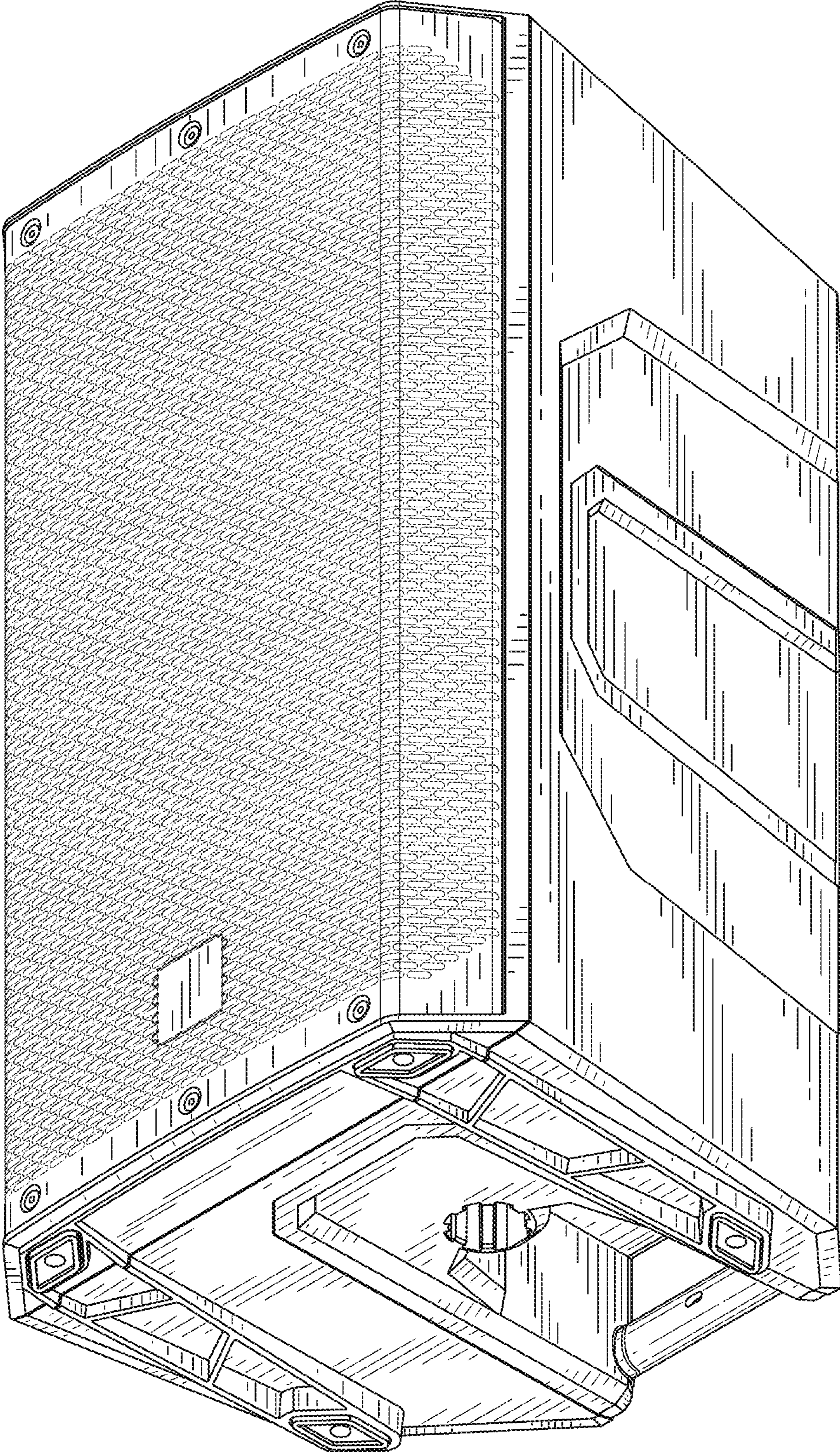


FIG. 4

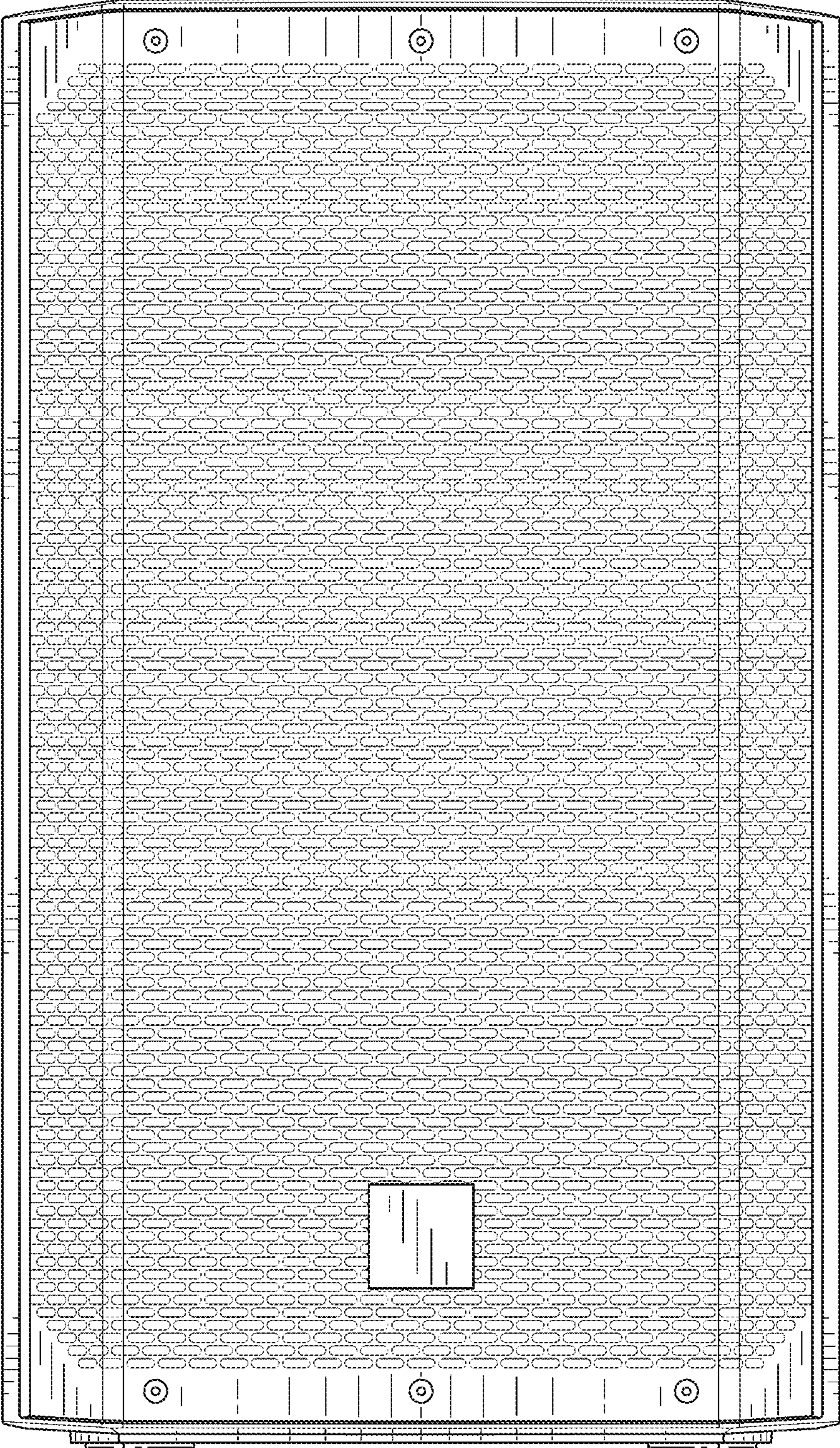


FIG. 5

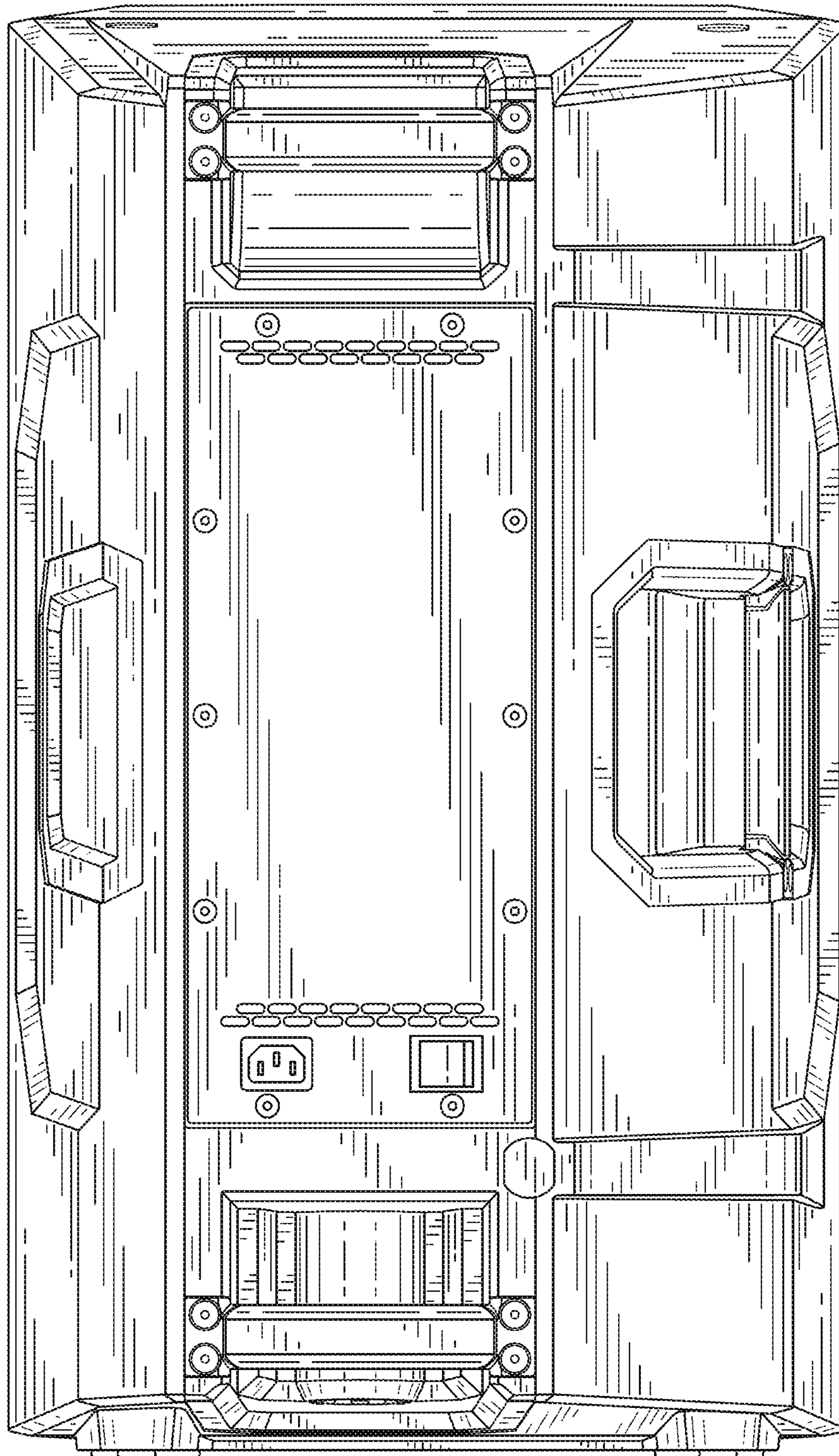


FIG. 6

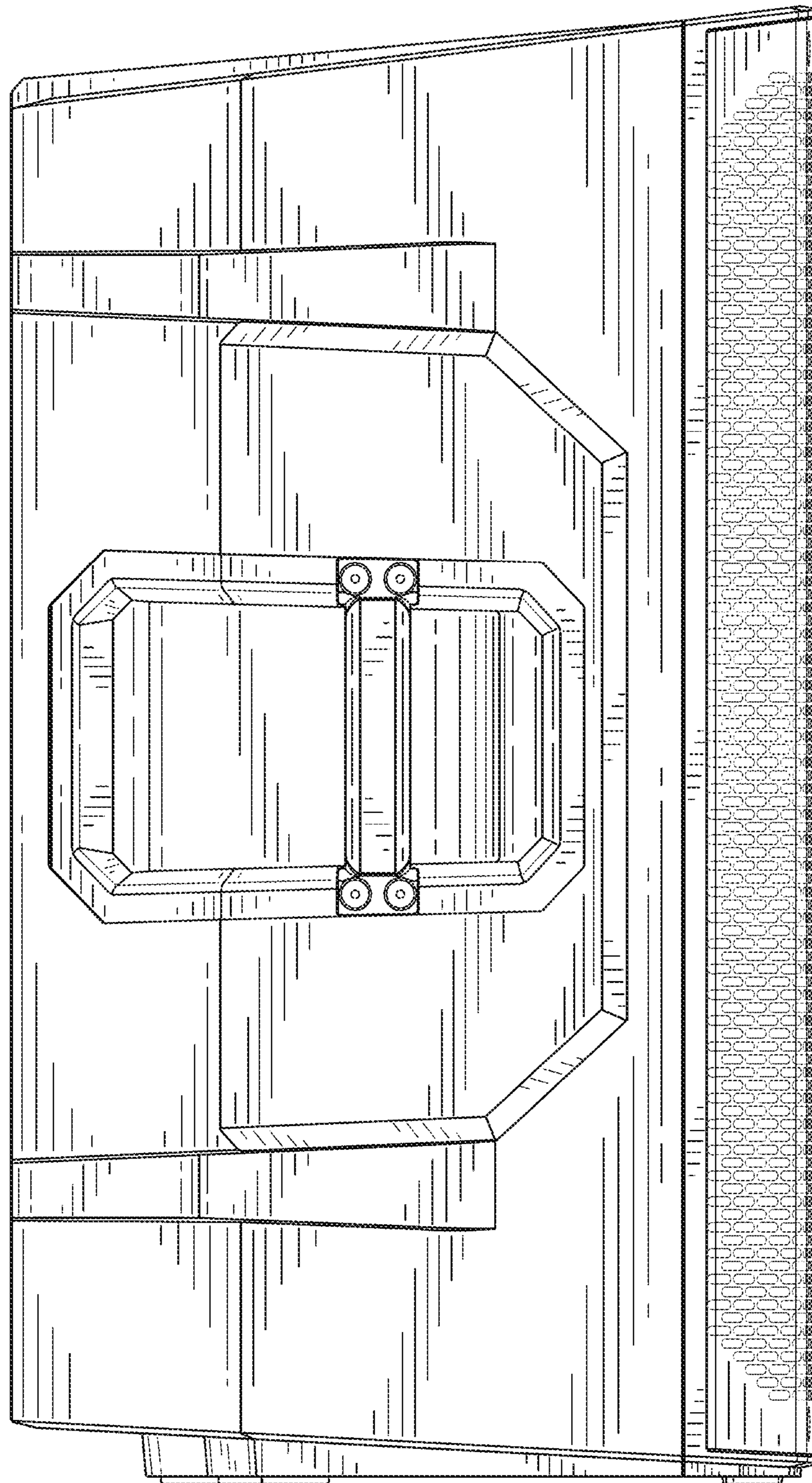


FIG. 7

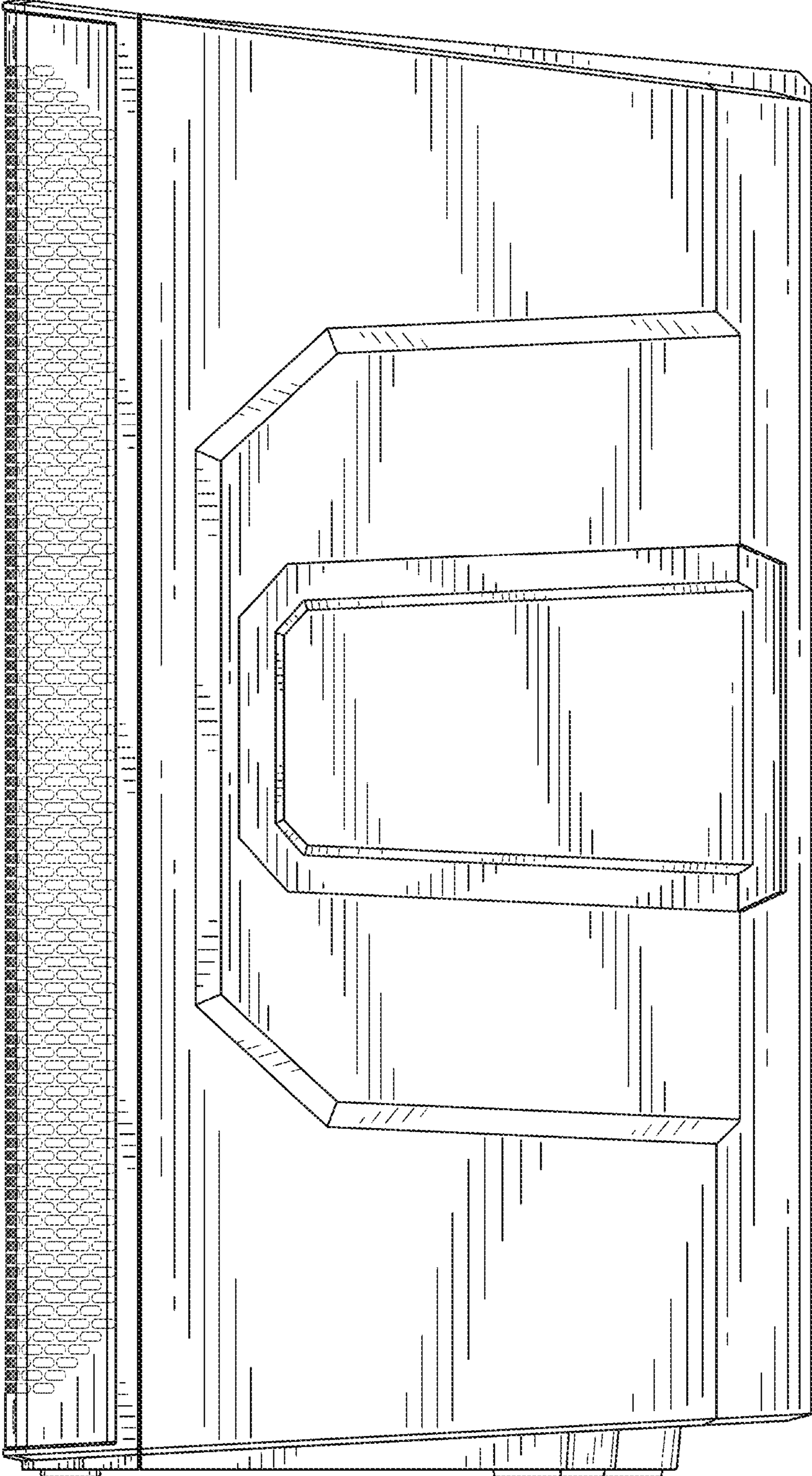


FIG. 8

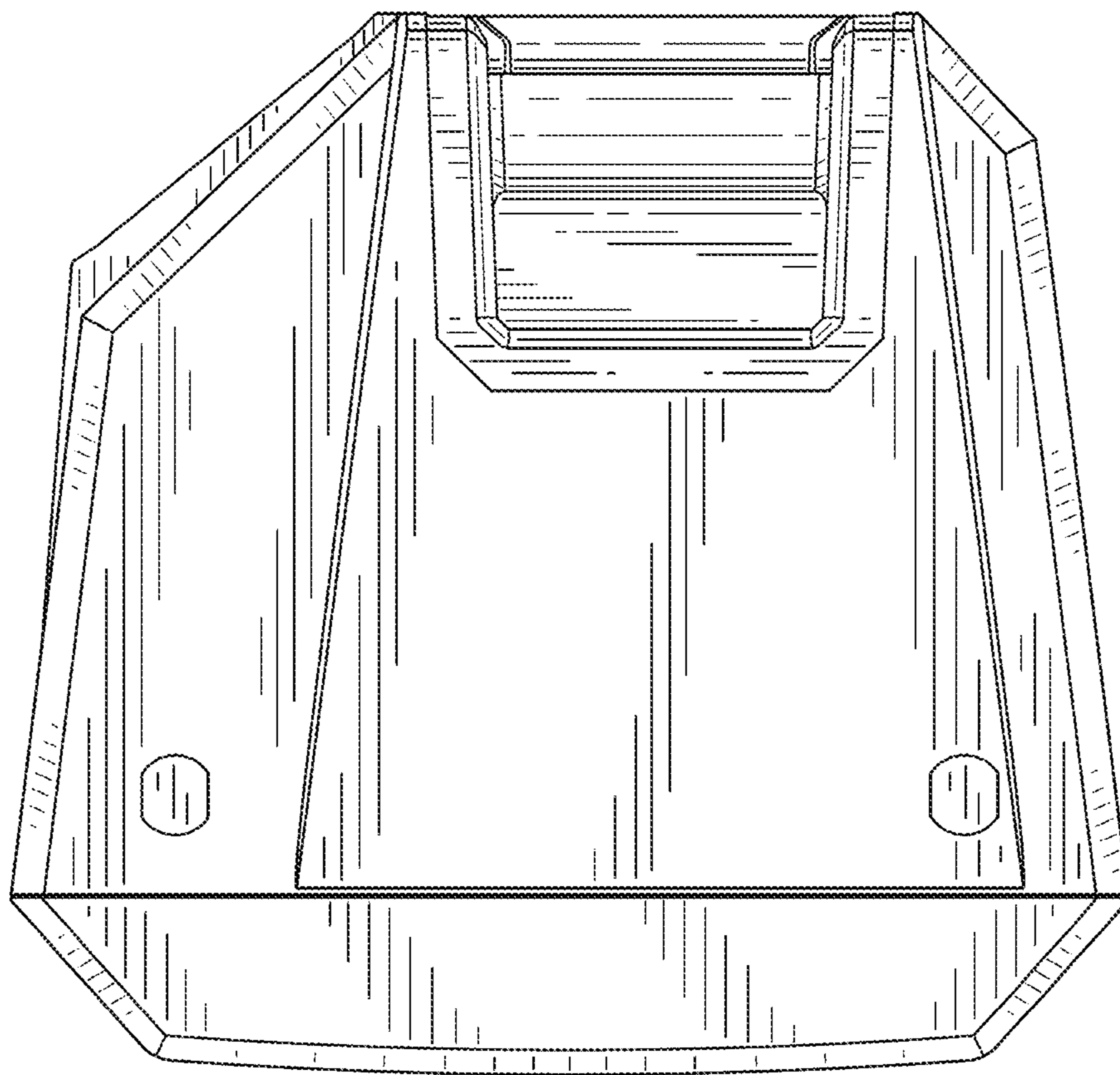


FIG. 9

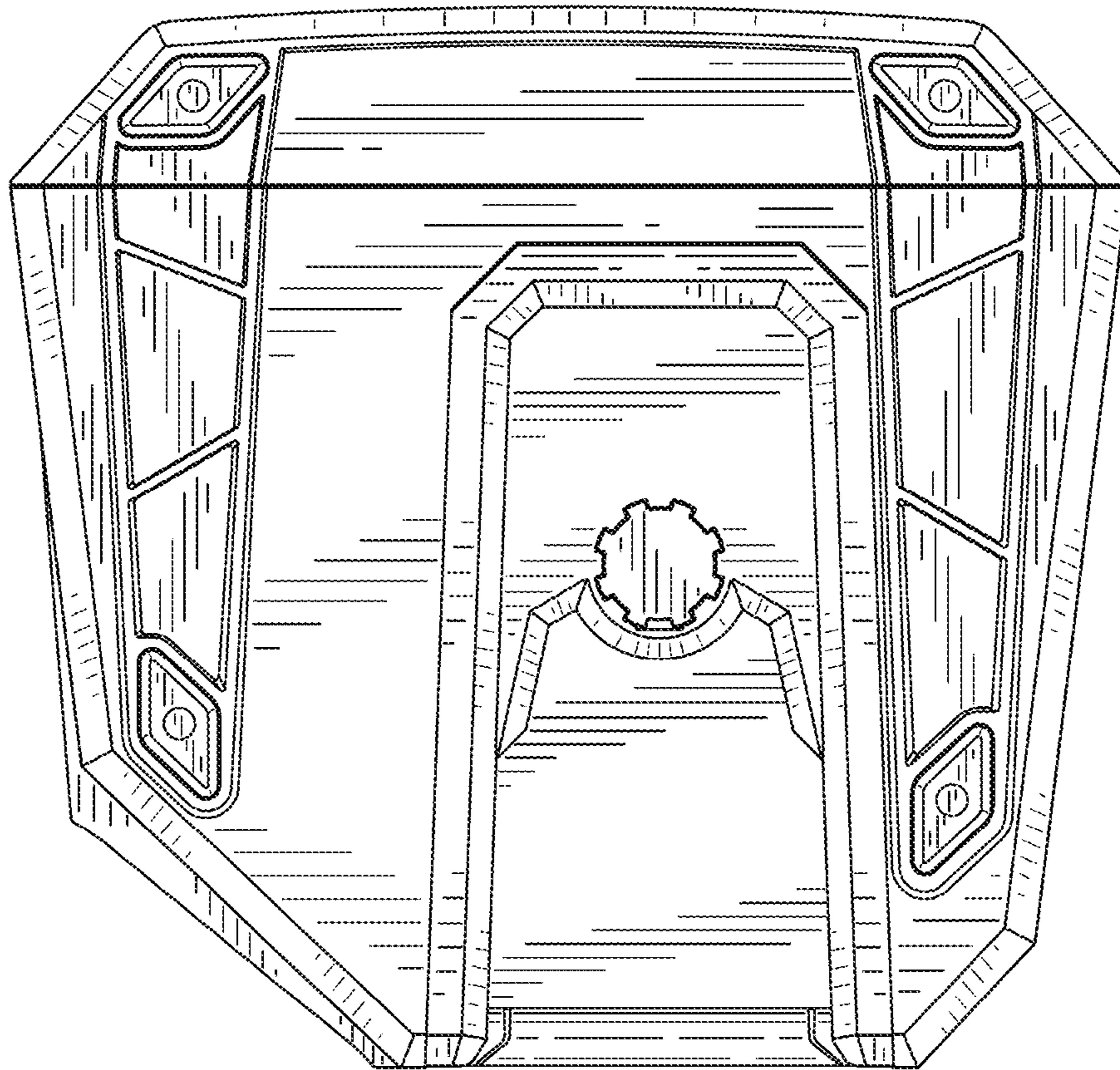


FIG. 10