



US00D941262S

(12) **United States Design Patent** (10) **Patent No.:** **US D941,262 S**
Brunner et al. (45) **Date of Patent:** **** Jan. 18, 2022**

- (54) **HEADSET**
- (71) Applicant: **Apple Inc.**, Cupertino, CA (US)
- (72) Inventors: **Robert D. Brunner**, Glen Ellen, CA (US); **Christopher Kuh**, San Francisco, CA (US)
- (73) Assignee: **Apple Inc.**, Cupertino, CA (US)
- (**) Term: **15 Years**
- (21) Appl. No.: **29/795,780**
- (22) Filed: **Jun. 21, 2021**

CPC H04R 25/00; H04R 25/02; H04R 1/1066; H04R 1/1016; H04R 5/033; H04R 5/0335; H04R 1/1008; H04R 1/1091; H04R 19/04; A61F 11/14; G02B 27/017
See application file for complete search history.

(56) **References Cited**

U.S. PATENT DOCUMENTS

| | | |
|-------------|--------|----------|
| 1,066,511 A | 7/1913 | Markoff |
| 1,367,746 A | 2/1921 | Kent |
| 2,149,341 A | 3/1939 | Harrison |
| 3,104,398 A | 9/1963 | Palmaer |
| D203,677 S | 2/1966 | Spilman |

(Continued)

FOREIGN PATENT DOCUMENTS

| | | |
|----|-----------|---------|
| GB | 2072035 B | 1/1998 |
| JP | D1318386 | 12/2007 |

(Continued)

Primary Examiner — Paula Allen Greene
(74) *Attorney, Agent, or Firm* — Sterne, Kessler, Goldstein & Fox P.L.L.C.

(57) **CLAIM**

The ornamental design for a headset, as shown and described.

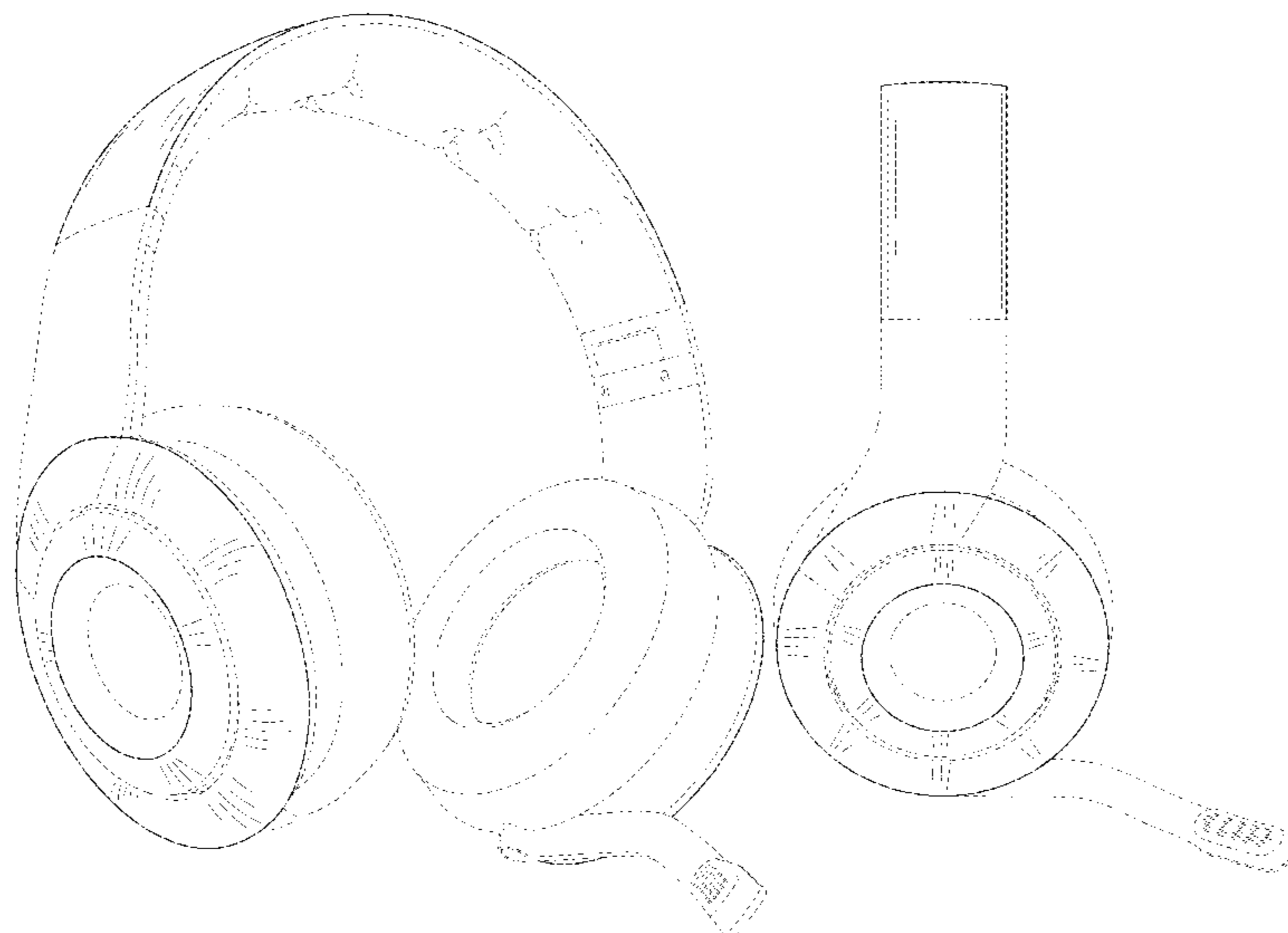
DESCRIPTION

FIG. 1 is a front perspective view of a headset showing the claimed design;
FIG. 2 is a rear view thereof;
FIG. 3 is a bottom view thereof;
FIG. 4 is a front view thereof;
FIG. 5 is a right side view thereof;
FIG. 6 is a left side view thereof; and,
FIG. 7 is a top view thereof.
The broken lines in the figures show portions of the headset that form no part of the claimed design.

1 Claim, 7 Drawing Sheets

Related U.S. Application Data

- (60) Continuation of application No. 29/706,360, filed on Sep. 19, 2019, now Pat. No. Des. 922,978, which is a continuation of application No. 29/642,633, filed on Mar. 30, 2018, now Pat. No. Des. 860,969, which is a continuation of application No. 29/574,209, filed on Aug. 12, 2016, now Pat. No. Des. 814,438, which is a continuation of application No. 29/504,827, filed on Oct. 9, 2014, now Pat. No. Des. 764,435, which is a continuation of application No. 29/464,539, filed on Aug. 18, 2013, now Pat. No. Des. 716,760, which is a division of application No. 29/426,082, filed on Jun. 29, 2012, now Pat. No. Des. 691,112, which is a continuation-in-part of application No. 29/410,585, filed on Jan. 9, 2012, now Pat. No. Des. 698,749.
- (51) **LOC (13) Cl.** **14-01**
- (52) **U.S. Cl.**
USPC **D14/205; D14/206**
- (58) **Field of Classification Search**
USPC D14/206, 205, 225, 226, 372, 218, 195, D14/188, 192, 217, 408, 155, 168; D29/112; 2/209; 381/380, 381, 374; 455/90.3, 575.1, 569.1; D28/41; 132/273, 274, 275; D21/444; 446/46; 473/589



(56)

References Cited

U.S. PATENT DOCUMENTS

| | | | | | | | |
|---------------|---------|--------------------|------------------------|--------------|---------|-----------------|------------------------|
| D229,833 S | 1/1974 | Becker | | D585,870 S | 2/2009 | Zheng et al. | |
| D244,300 S | 5/1977 | Besasie | | D585,871 S | 2/2009 | Lee | |
| 4,173,715 A | 11/1979 | Gosman | | D585,872 S | 2/2009 | Lee | |
| D254,183 S | 2/1980 | Doodson | | D588,098 S | 3/2009 | Kurihara | |
| D254,876 S | 5/1980 | Reitenga et al. | | D588,100 S | 3/2009 | Densho et al. | |
| D255,352 S | 6/1980 | Besasie | | D591,263 S | 4/2009 | Shimizu | |
| 4,385,209 A * | 5/1983 | Greason | H04R 19/016 307/400 | D592,182 S | 5/2009 | Sanguinetti | |
| | | | | D592,640 S | 5/2009 | Tkachuk | |
| 4,404,445 A | 9/1983 | Baran et al. | | D593,995 S | 6/2009 | Shimizu | |
| 4,609,786 A | 9/1986 | Omoto et al. | | D600,674 S | 9/2009 | Brennwald | |
| D286,874 S | 11/1986 | Bertagna et al. | | D602,906 S | 10/2009 | Groves et al. | |
| 4,634,816 A | 1/1987 | O'Malley | | D603,370 S | 11/2009 | Suzuki | |
| D300,528 S * | 4/1989 | Drane | D13/171 | D603,371 S | 11/2009 | Boateng et al. | |
| 4,875,233 A | 10/1989 | Derhaag et al. | | D616,865 S | 6/2010 | Marchand et al. | |
| D313,092 S | 12/1990 | Nilsson | | D617,769 S | 6/2010 | Birger | |
| 5,018,599 A | 5/1991 | Dohi et al. | | D617,771 S | 6/2010 | Groves et al. | |
| 5,035,005 A | 7/1991 | Hung | | 7,735,154 B2 | 6/2010 | Gellis et al. | |
| D328,074 S | 7/1992 | Yamazaki et al. | | D625,705 S | 10/2010 | Ohuri et al. | |
| D328,461 S | 8/1992 | Daido et al. | | D632,668 S | 2/2011 | Brunner et al. | |
| D338,010 S | 8/1993 | Yamatogi | | D633,896 S | 3/2011 | Kondo et al. | |
| D351,172 S | 10/1994 | Nakamura et al. | | D635,959 S | 4/2011 | Hutchieson | |
| D358,389 S | 5/1995 | Isono | | D637,176 S * | 5/2011 | Brunner | D14/205 |
| D362,841 S * | 10/1995 | Roza | D13/171 | D637,998 S | 5/2011 | Brunner et al. | |
| D374,658 S * | 10/1996 | Bever | D13/171 | D637,999 S | 5/2011 | Brunner et al. | |
| D375,825 S | 11/1996 | Whidden | | D638,000 S | 5/2011 | Hoggarth | |
| 5,812,680 A | 9/1998 | Glendon | | D639,776 S | 6/2011 | Arimoto | |
| D403,128 S | 12/1998 | Scanlon et al. | | D641,725 S | 7/2011 | Chong et al. | |
| D407,985 S * | 4/1999 | Pimentel | D10/104.2 | D643,833 S * | 8/2011 | Lee | D14/223 |
| D420,356 S | 2/2000 | Suzuki | | D648,330 S | 11/2011 | Fischer | |
| D422,592 S | 4/2000 | Deguchi | | D652,017 S | 1/2012 | Groves et al. | |
| 6,081,604 A | 6/2000 | Hikichi et al. | | D652,405 S | 1/2012 | Lee et al. | |
| D430,140 S | 8/2000 | Roman | | D652,406 S | 1/2012 | Lee et al. | |
| D435,249 S | 12/2000 | Yasutomi | | D654,471 S | 2/2012 | Fischer | |
| 6,163,615 A | 12/2000 | Callahan | | D654,472 S | 2/2012 | Fischer | |
| 6,195,839 B1 | 3/2001 | Patterson et al. | | D657,344 S | 4/2012 | Brunner et al. | |
| D457,512 S | 5/2002 | Yoneda | | D657,345 S | 4/2012 | Brunner et al. | |
| 6,449,806 B1 | 9/2002 | Engelhard et al. | | D657,776 S | 4/2012 | Lee et al. | |
| D464,630 S * | 10/2002 | Woodworth | D13/171 | D660,823 S | 5/2012 | Hardi et al. | |
| D468,723 S | 1/2003 | Pham et al. | | D660,824 S | 5/2012 | Hardi et al. | |
| D469,411 S * | 1/2003 | Decosse | D13/171 | D660,826 S | 5/2012 | Brunner et al. | |
| D484,485 S | 12/2003 | Matsuoka | | D662,490 S * | 6/2012 | McSweyn | D14/205 |
| 6,654,966 B2 | 12/2003 | Rolla | | D663,716 S | 7/2012 | Hardi et al. | |
| D484,868 S | 1/2004 | Suzuki | | D673,136 S | 12/2012 | Kelly et al. | |
| 6,678,897 B2 | 1/2004 | Lindgren | | D673,518 S | 1/2013 | Tan | |
| D491,163 S | 6/2004 | Green | | D673,520 S | 1/2013 | Tan | |
| D502,938 S | 3/2005 | Tokioka et al. | | D674,767 S | 1/2013 | Brunner et al. | |
| D504,414 S | 4/2005 | Yoshida | | D675,595 S | 2/2013 | Cho et al. | |
| D504,883 S | 5/2005 | Jacobson et al. | | D677,647 S | 3/2013 | Lee et al. | |
| D512,381 S | 12/2005 | Sirichai et al. | | D677,648 S | 3/2013 | Lee et al. | |
| D512,417 S * | 12/2005 | Hirakawa | D14/223 | D683,329 S | 5/2013 | Hagelin | |
| D512,708 S | 12/2005 | Harris, Jr. et al. | | D689,843 S | 9/2013 | Lee | |
| D512,981 S | 12/2005 | Jacobson et al. | | D691,112 S * | 10/2013 | Brunner | D14/206 |
| D514,086 S | 1/2006 | Skulley | | D691,579 S | 10/2013 | Lee et al. | |
| D517,043 S | 3/2006 | Jacobson et al. | | D691,984 S * | 10/2013 | Wang | D14/205 |
| D517,528 S | 3/2006 | Skulley | | D692,410 S * | 10/2013 | Brunner | H04R 1/1008 D14/206 |
| 7,072,483 B2 | 7/2006 | Lenhard-Backhaus | | | | | |
| D532,407 S | 11/2006 | Motoishi | | D693,791 S | 11/2013 | Troy | |
| D534,155 S | 12/2006 | Obata | | D696,226 S | 12/2013 | Brunner et al. | |
| D534,156 S | 12/2006 | Obata | | D698,749 S * | 2/2014 | Brunner | D14/206 |
| 7,172,052 B2 | 2/2007 | Lenhard-Backhaus | | D700,904 S * | 3/2014 | Miller | D14/218 |
| D539,788 S | 4/2007 | Thompson et al. | | D704,163 S | 5/2014 | Brunner et al. | |
| D540,301 S | 4/2007 | Obata | | D709,860 S * | 7/2014 | Brunner | H04S 1/005 D14/205 |
| D540,303 S | 4/2007 | Rausch et al. | | | | | |
| D540,778 S | 4/2007 | Thompson et al. | | D711,348 S | 8/2014 | Yang | |
| D541,255 S | 4/2007 | Taylor et al. | | D716,760 S * | 11/2014 | Brunner | D14/206 |
| D541,256 S | 4/2007 | Rausch et al. | | D731,457 S * | 6/2015 | Brunner | D14/205 |
| D541,257 S | 4/2007 | Thursfield | | D732,000 S * | 6/2015 | Brunner | D14/205 |
| D552,077 S | 10/2007 | Brunner et al. | | D732,503 S * | 6/2015 | Brunner | H04R 1/1008 D14/205 |
| D557,684 S | 12/2007 | Pundsack et al. | | | | | |
| D560,654 S | 1/2008 | Feng | | 9,084,055 B2 | 7/2015 | Brunner et al. | |
| D563,382 S | 3/2008 | Wikel | | D738,350 S * | 9/2015 | Brunner | D14/205 |
| D563,995 S | 3/2008 | Deguchi et al. | | D760,687 S * | 7/2016 | Brunner | D14/205 |
| 7,356,362 B2 | 4/2008 | Chang et al. | | D760,688 S | 7/2016 | Brunner et al. | |
| D582,890 S | 12/2008 | Koza et al. | | D764,435 S * | 8/2016 | Brunner | D14/205 |
| D584,715 S | 1/2009 | Brennwald | | 9,445,185 B2 | 9/2016 | Brunner et al. | |
| | | | | D791,733 S * | 7/2017 | Brunner | D14/205 |
| | | | | D809,477 S | 2/2018 | Brunner et al. | |
| | | | | D814,438 S * | 4/2018 | Brunner | D14/205 |
| | | | | D836,600 S | 12/2018 | Lee et al. | |

(56)

References Cited

U.S. PATENT DOCUMENTS

D843,345 S * 3/2019 Brunner D14/205
 D857,652 S * 8/2019 Wang D14/205
 D858,483 S * 9/2019 Hu D14/205
 D860,969 S * 9/2019 Brunner D14/205
 D867,327 S 11/2019 Brunner et al.
 D888,008 S * 6/2020 Yook D14/205
 D889,432 S * 7/2020 Brunner D14/205
 D893,452 S * 8/2020 Yook D14/205
 D899,401 S * 10/2020 Smiechowski D14/205
 D904,339 S * 12/2020 Wang D14/205
 D922,978 S * 6/2021 Brunner D14/205
 D927,453 S * 8/2021 Smiechowski D14/205
 D927,454 S * 8/2021 Treski D14/205
 D928,734 S 8/2021 Brunner et al.
 2003/0182713 A1 10/2003 Rolla
 2004/0216946 A1 11/2004 Lenhard-Backhaus
 2005/0053255 A1 3/2005 Harris et al.
 2005/0226452 A1 10/2005 Amae et al.

2006/0001307 A1 1/2006 Embach
 2006/0062417 A1 3/2006 Tachikawa
 2006/0104471 A1 5/2006 Tsunoda et al.
 2008/0056525 A1 3/2008 Fujiwara et al.
 2009/0220118 A1 9/2009 Meier et al.
 2010/0128884 A1 5/2010 Sapiejewski et al.
 2010/0284558 A1 11/2010 Kimura et al.
 2011/0206216 A1 8/2011 Brunner et al.
 2011/0249856 A1 10/2011 Takei
 2013/0343591 A1* 12/2013 Brunner H04R 1/1075
 381/371
 2021/0084401 A1* 3/2021 Smiechowski H04R 1/1041

FOREIGN PATENT DOCUMENTS

JP D1406347 1/2011
 JP D1430542 12/2011
 KR 30-0476152 1/2008
 WO WO 2007/103561 A2 9/2007
 WO WO 2012/094176 A2 7/2012

* cited by examiner

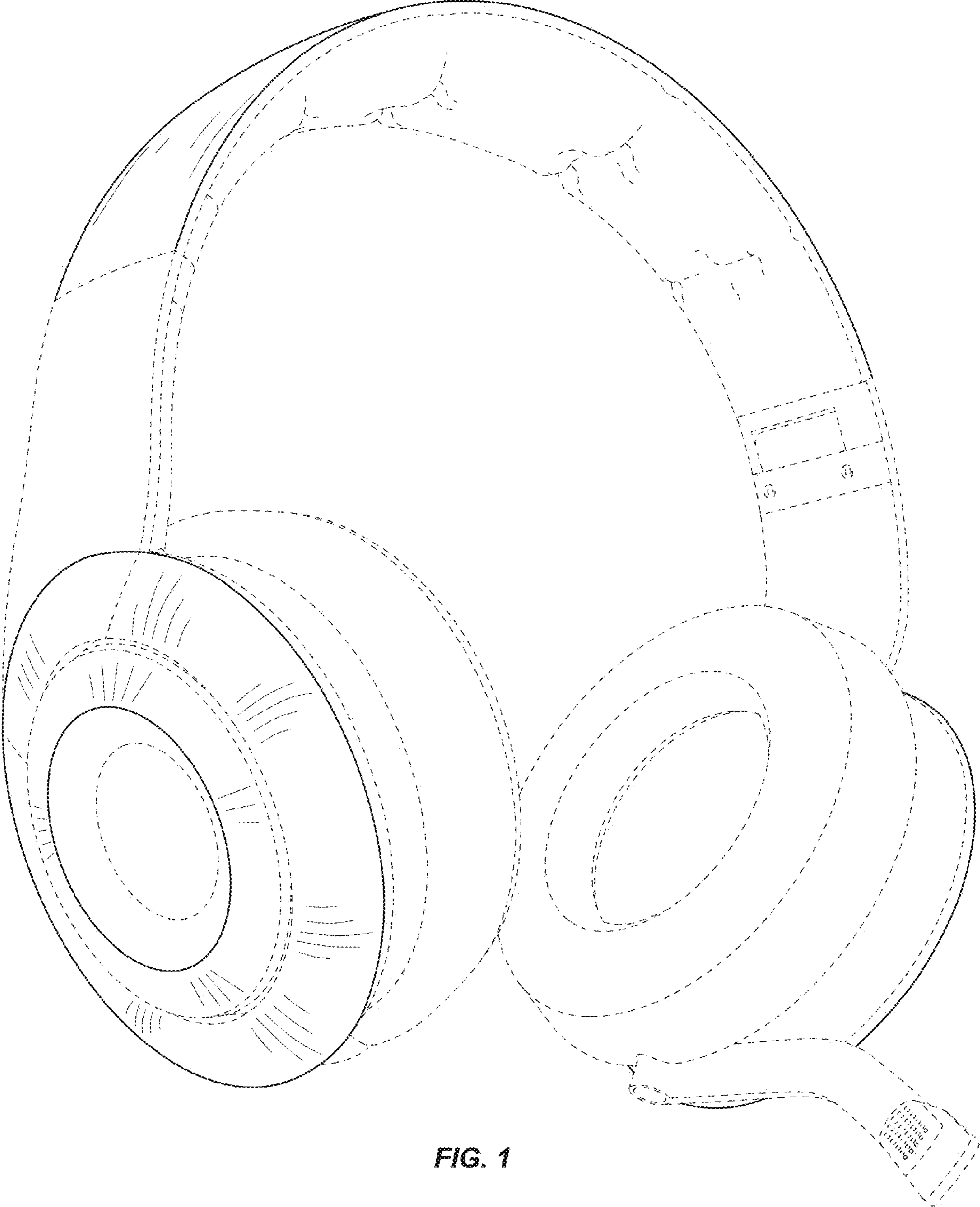


FIG. 1

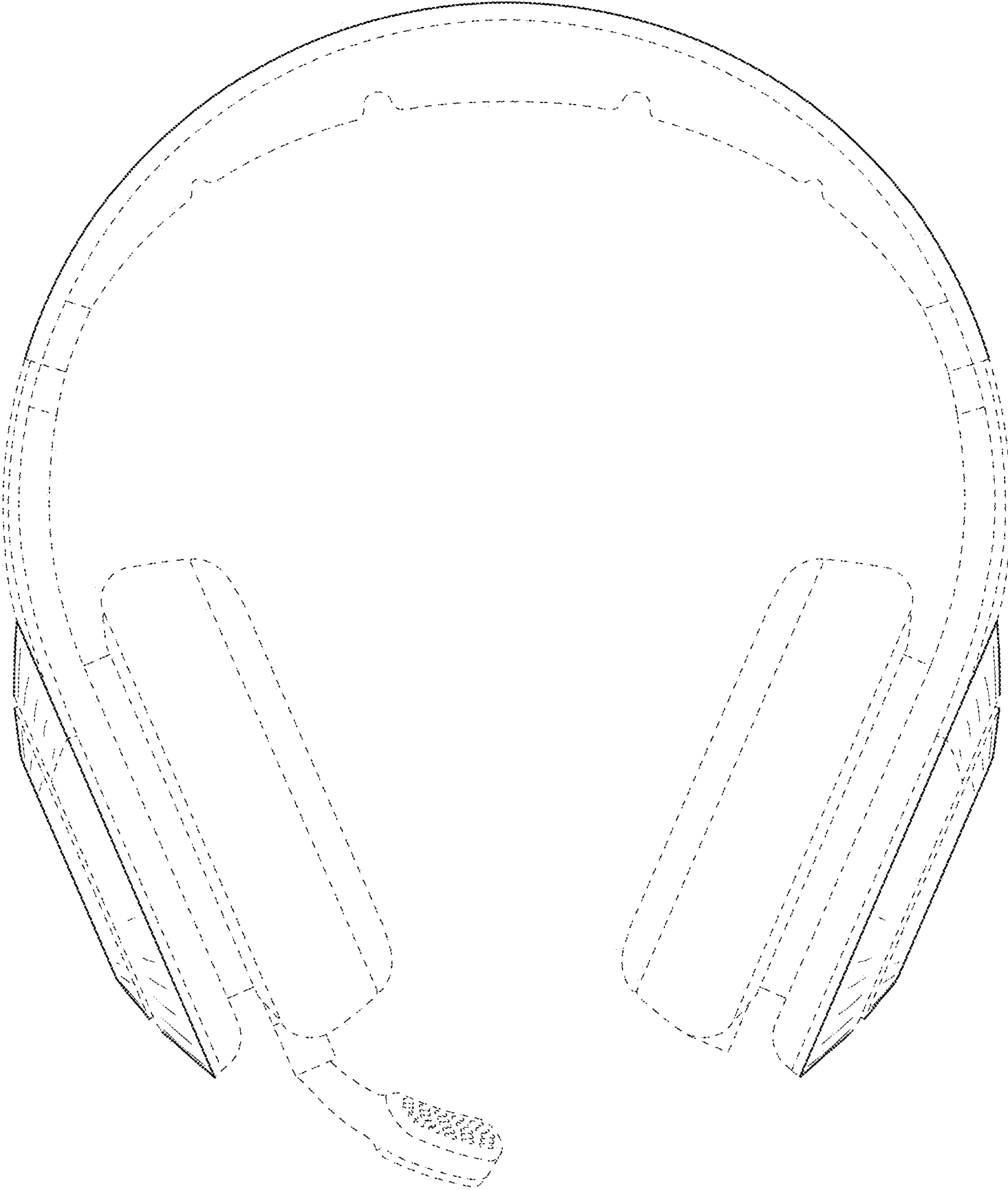


FIG. 2

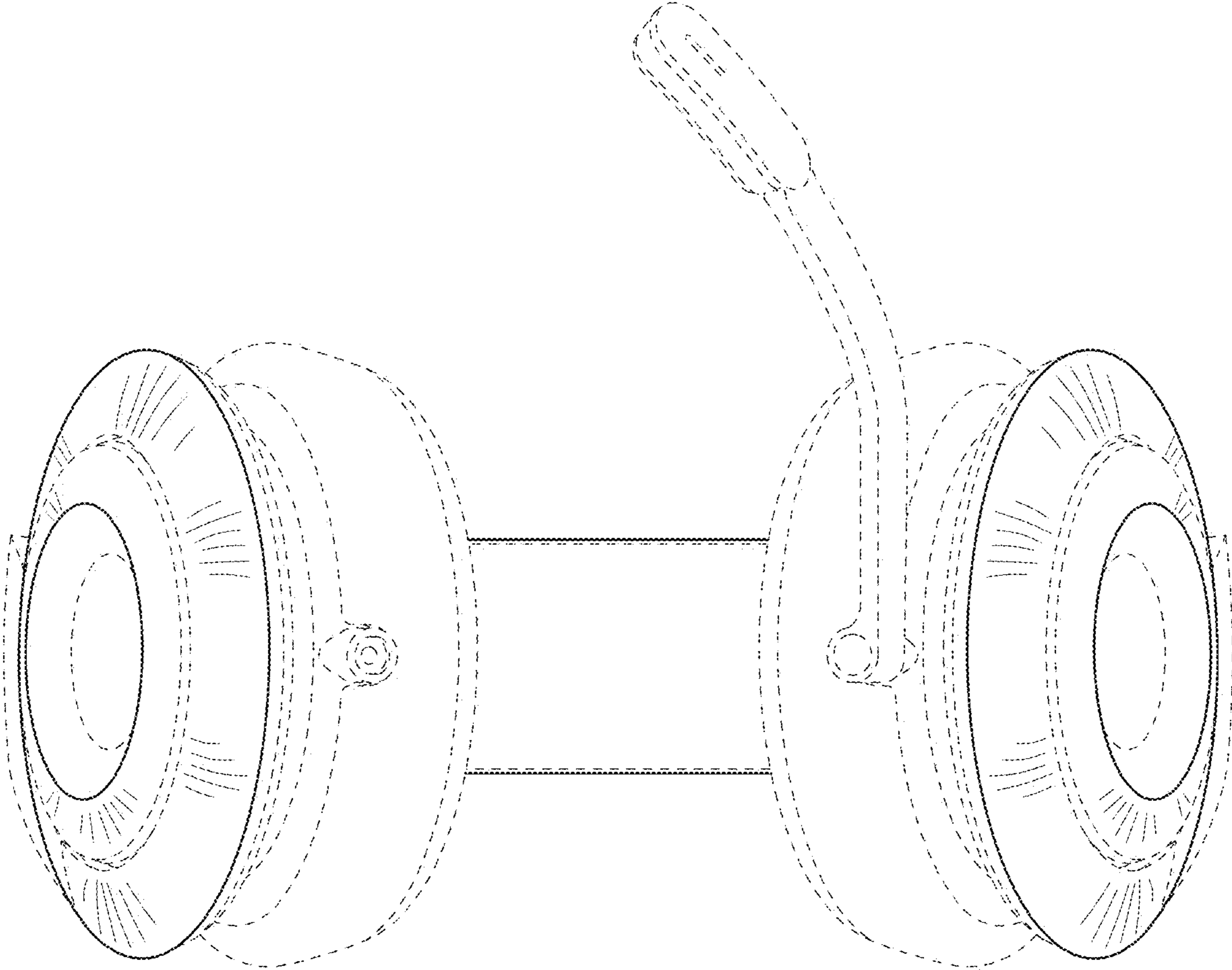


FIG. 3

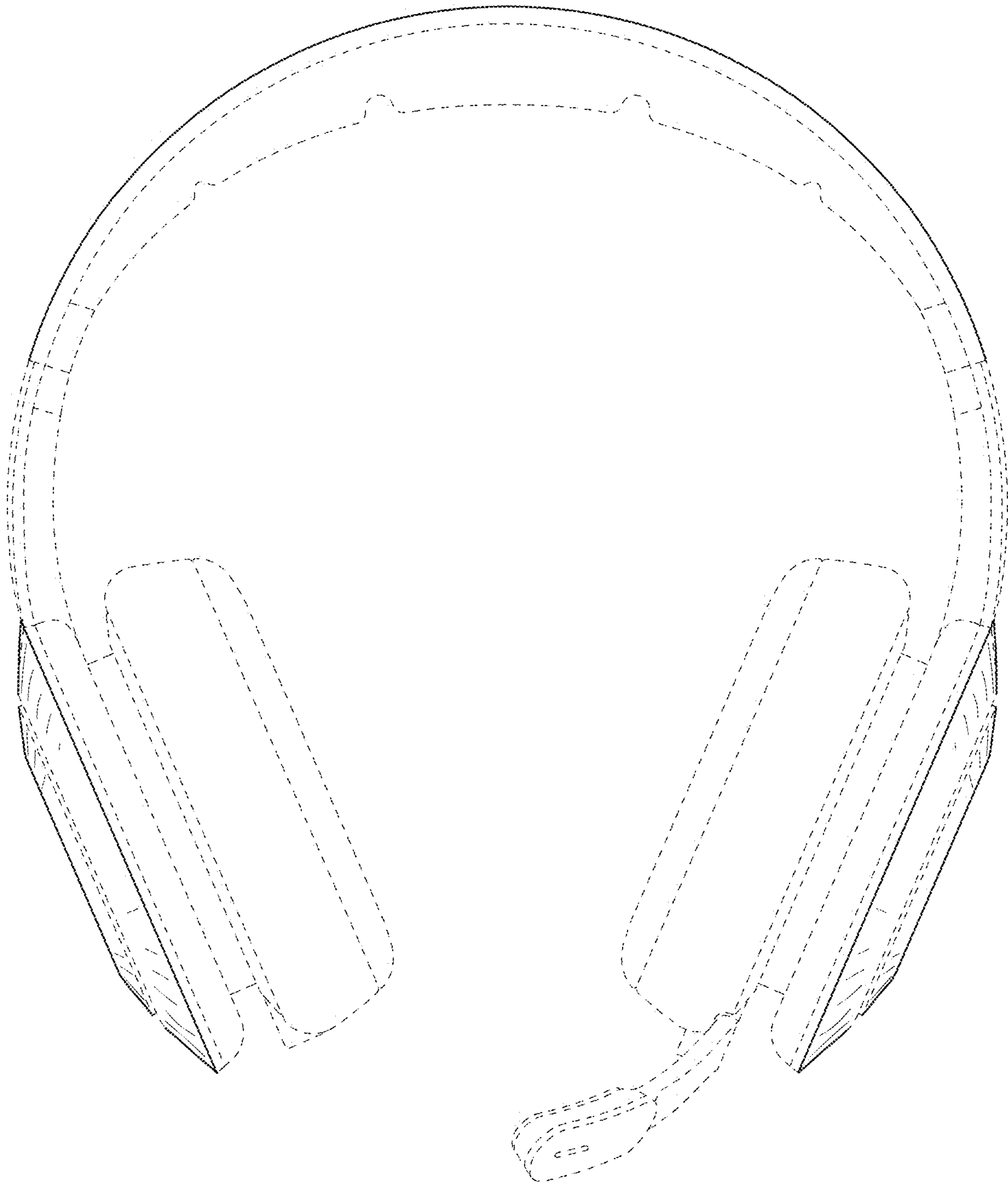


FIG. 4

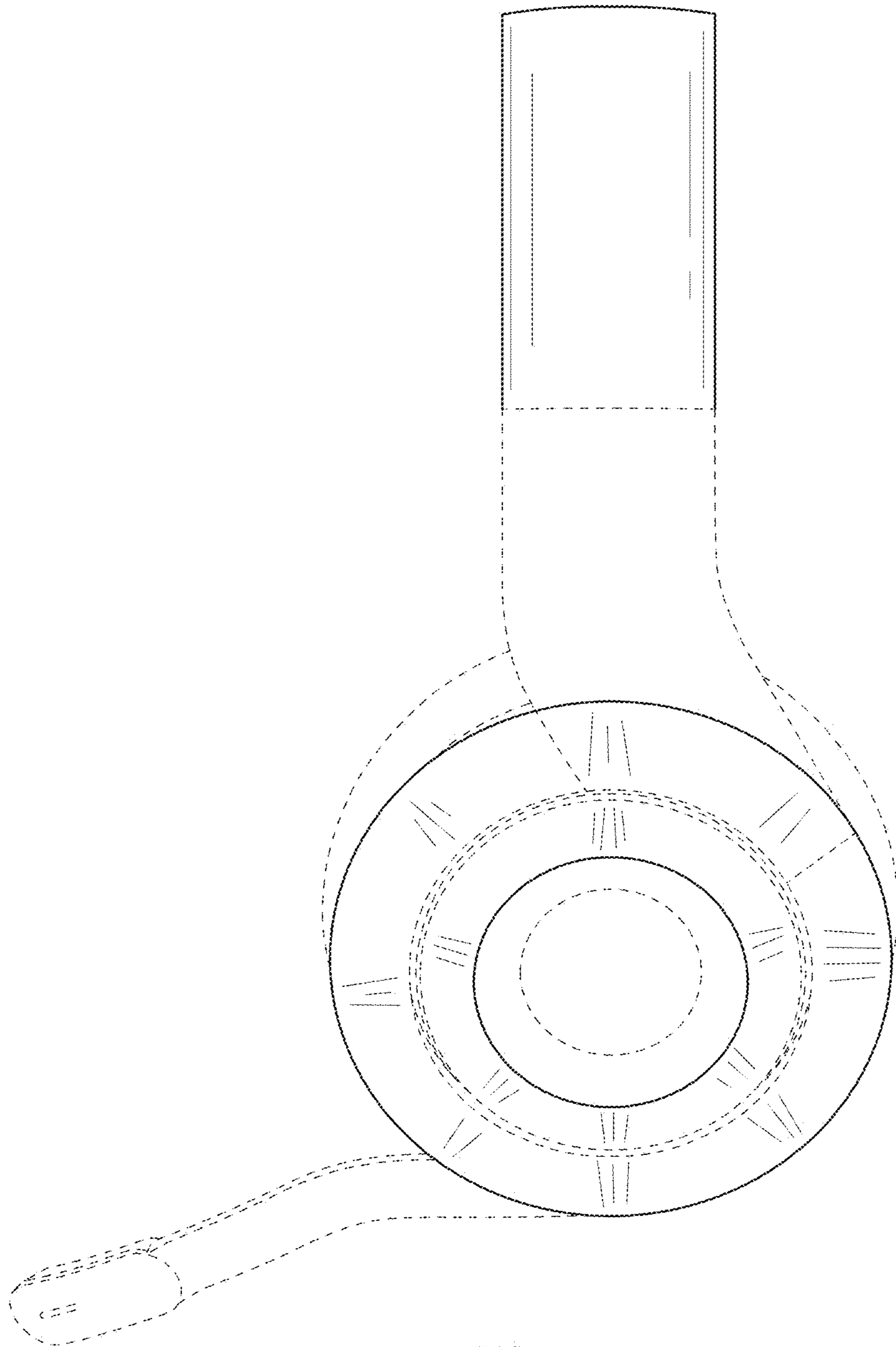


FIG. 5

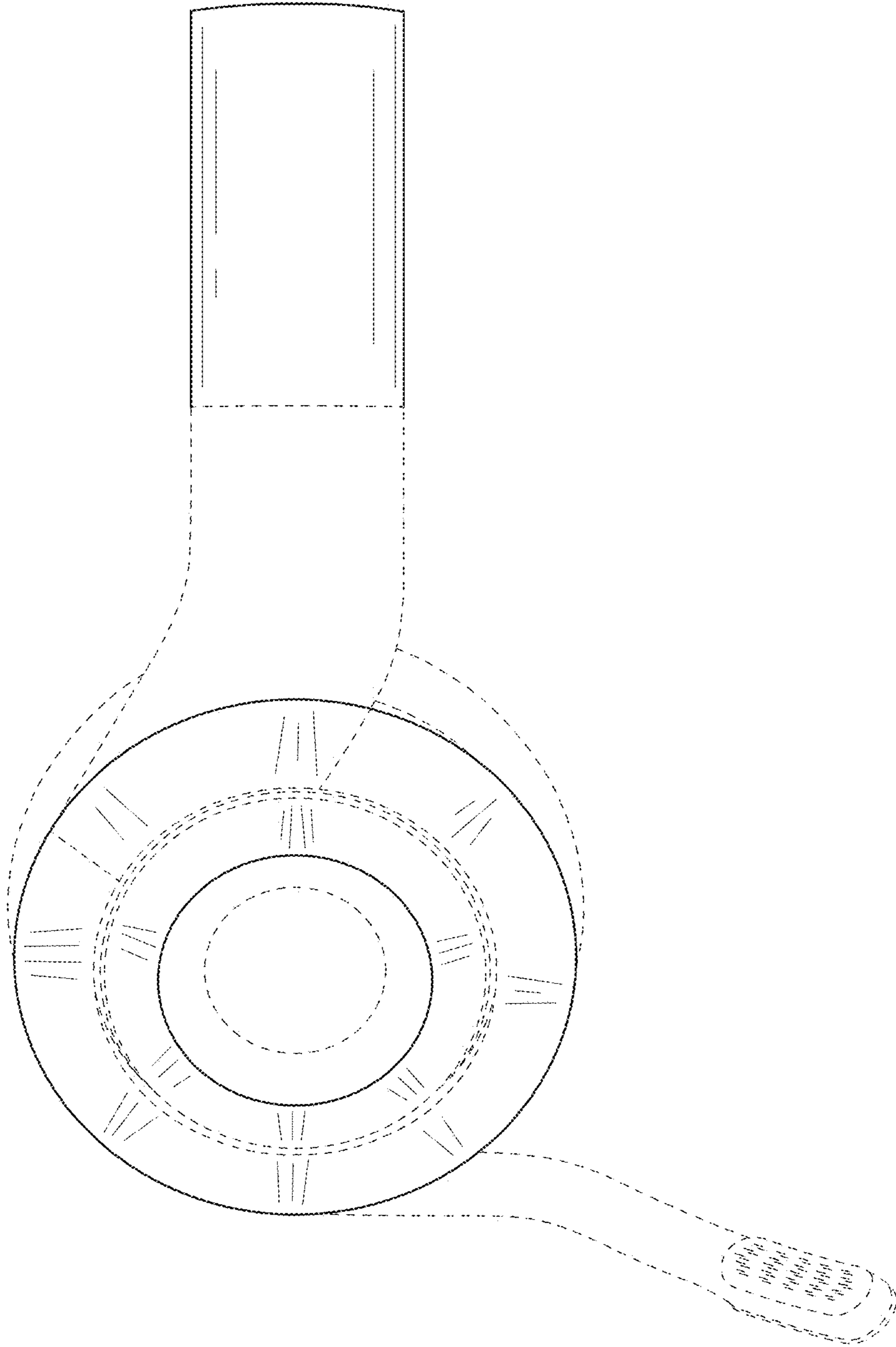


FIG. 6

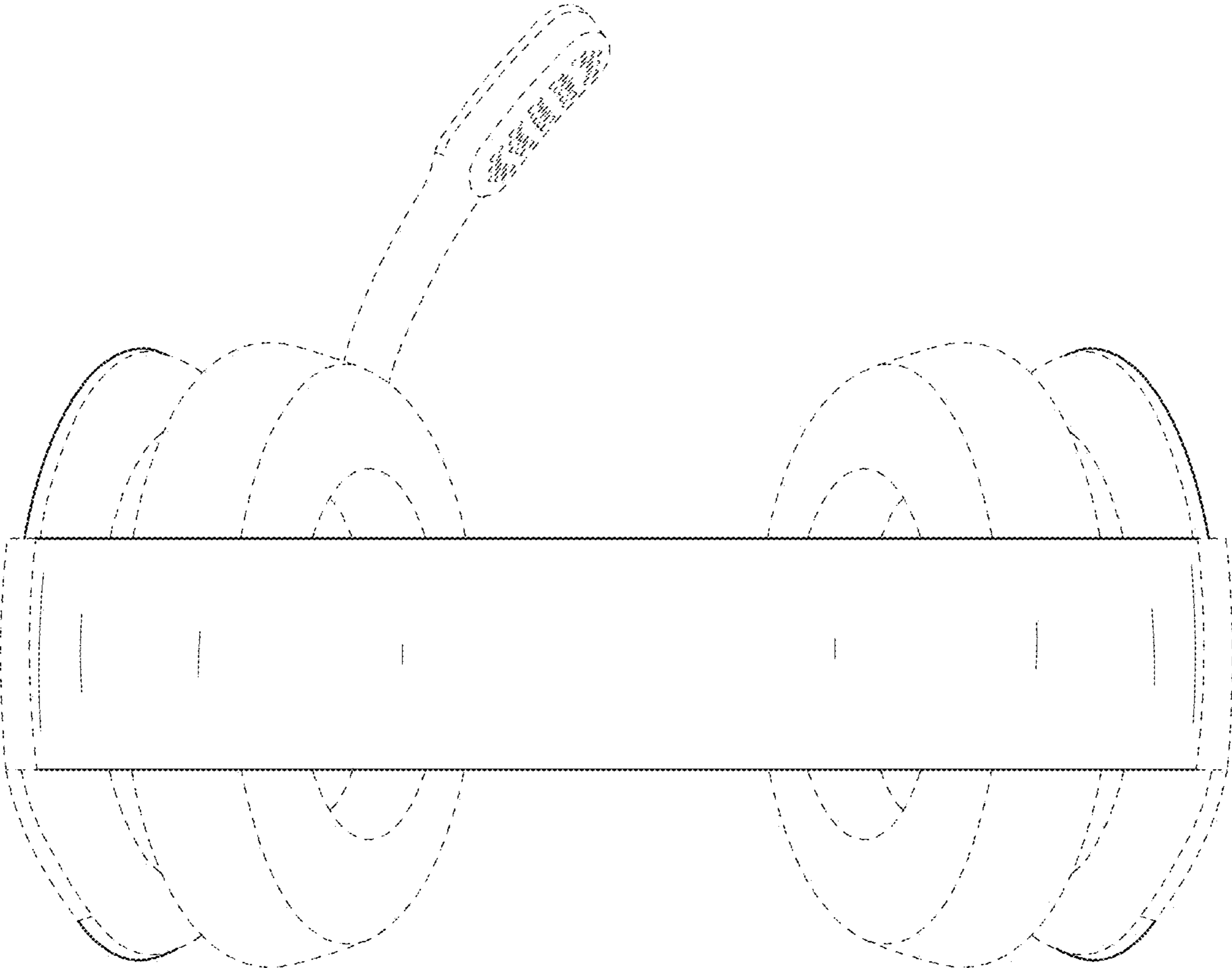


FIG. 7