



US00D941261S

(12) **United States Design Patent**
Zhao et al.

(10) **Patent No.:** **US D941,261 S**
(45) **Date of Patent:** **** Jan. 18, 2022**

(54) **CONFERENCE COMMUNICATION
TERMINAL**

(71) Applicant: **YEALINK (XIAMEN) NETWORK
TECHNOLOGY CO., LTD.**, Fujian
(CN)

(72) Inventors: **Chengfei Zhao**, Fujian (CN);
Jiancheng Zhang, Fujian (CN)

(73) Assignee: **YEALINK (XIAMEN) NETWORK
TECHNOLOGY CO., LTD.**, Xiamen
(CN)

(**) Term: **15 Years**

(21) Appl. No.: **29/748,716**

(22) Filed: **Aug. 31, 2020**

(51) **LOC (13) Cl.** **14-03**

(52) **U.S. Cl.**
USPC **D14/149**

(58) **Field of Classification Search**
USPC D14/140, 140.1, 141.1, 142, 144, 147,
D14/149, 150, 155, 168, 172, 226, 192,
D14/221, 127-130, 204, 206, 209.1, 211,
D14/212, 213, 215, 216, 217, 240, 244,
D14/247, 299, 496, 356, 358, 432, 454;
D10/104.1, 106.1, 106.3, 106.5
CPC H04M 1/00; H04M 1/026; H04M 1/04;
H04M 1/6033; H04M 1/60041; H04M
3/02; H04M 3/005; H04M 3/56; H04M
3/564; H04M 3/568; H04M 9/02; H04M
9/022; H04M 9/08; H04R 1/00; H04R
1/02; H04R 1/403; H04R 1/406; H04R
27/00

See application file for complete search history.

(56) **References Cited**

U.S. PATENT DOCUMENTS

4,363,482 A * 12/1982 Goldfarb A63F 9/183
273/454
D292,283 S * 10/1987 Matsuda D14/212

D311,541 S * 10/1990 Carre 379/420.01
D342,732 S * 12/1993 Hinman D14/150
D382,266 S * 8/1997 Wakefield D14/150
D403,328 S * 12/1998 Wakefield D14/229
D406,841 S * 3/1999 Myung D14/150
D411,995 S * 7/1999 Chen D14/150
D439,538 S * 3/2001 Lynch D10/106.2
D449,285 S * 10/2001 Wakefield D14/150
D449,286 S * 10/2001 Wakefield D14/150
D457,150 S * 5/2002 Chen D14/150
D461,179 S * 8/2002 Christianson D14/141.1
D463,410 S * 9/2002 Strand D14/240
D473,546 S * 4/2003 Hovanky D14/217
D478,560 S * 8/2003 Misrahi D14/150
D480,059 S * 9/2003 Misrahi D14/150
D491,909 S * 6/2004 Sun D14/150
D556,179 S * 11/2007 Chang D14/150

(Continued)

Primary Examiner — Marie D. Fast Horse

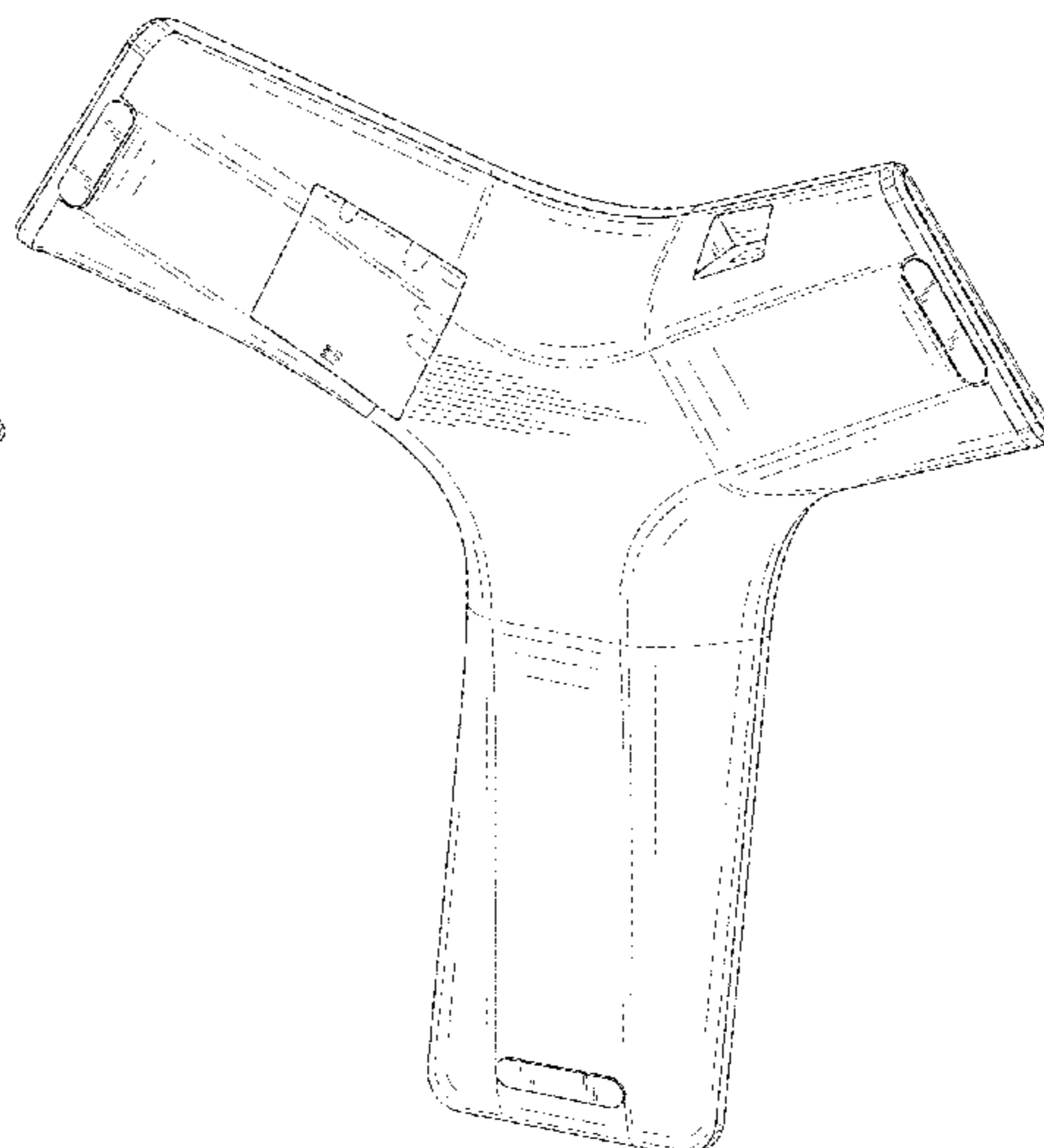
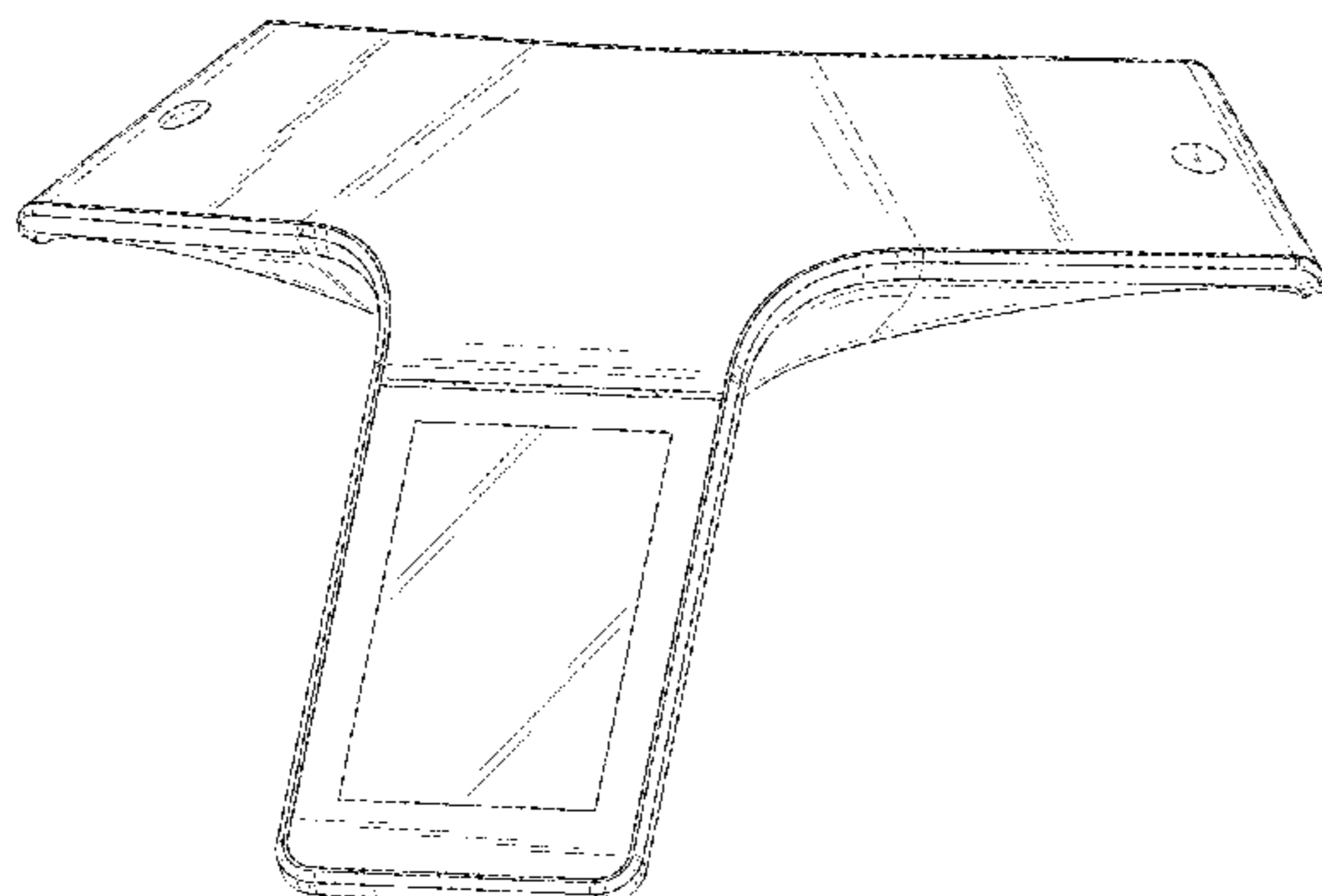
(57) **CLAIM**

The ornamental design for a conference communication terminal, as shown and described.

DESCRIPTION

FIG. 1 is a front elevational view of a conference communication terminal showing our new design;
FIG. 2 is a rear elevational view thereof;
FIG. 3 is a left side view thereof;
FIG. 4 is a right side view thereof;
FIG. 5 is a top plan view thereof;
FIG. 6 is a bottom plan view thereof;
FIG. 7 is a front, bottom and right side perspective view thereof; and,
FIG. 8 is a rear, top and left side perspective view thereof.
The broken lines in the drawings illustrate portions of the conference communication terminal which form no part of the claimed design.

1 Claim, 6 Drawing Sheets



(56)

References Cited

U.S. PATENT DOCUMENTS

D571,776	S *	6/2008	Duys	D14/150
D579,911	S *	11/2008	Wei	D14/155
D586,743	S *	2/2009	Guccione	D13/107
D594,438	S *	6/2009	Wada	D14/149
D620,916	S *	8/2010	Wada	D14/149
D635,955	S *	4/2011	Corrigan	D14/149
D640,227	S *	6/2011	Wada	D14/149
D685,755	S *	7/2013	Shin	D14/142
D714,258	S *	9/2014	Montague	D14/221
D760,201	S *	6/2016	Tompkin	H04M 1/02 D14/221
RE46,940	E *	7/2018	Tompkin	H04M 1/02 D14/221
RE47,282	E *	3/2019	Tompkin	H04M 1/02 D14/221
D846,524	S *	4/2019	Lai	D14/149
D864,159	S *	10/2019	Ding	D14/211
D883,248	S *	5/2020	Zhang	D14/149
D885,360	S *	5/2020	Zhang	D14/149
D886,075	S *	6/2020	Zhang	D14/149
D901,428	S *	11/2020	Zhang	D14/149
D902,169	S *	11/2020	Rodriguez	D14/149
2003/0053620	A1 *	3/2003	Chen	H04M 1/02 379/447
2009/0268899	A1 *	10/2009	Tokuda	H04M 1/6033 379/420.02
2012/0058754	A1 *	3/2012	Couse	H04M 1/72412 455/416

* cited by examiner

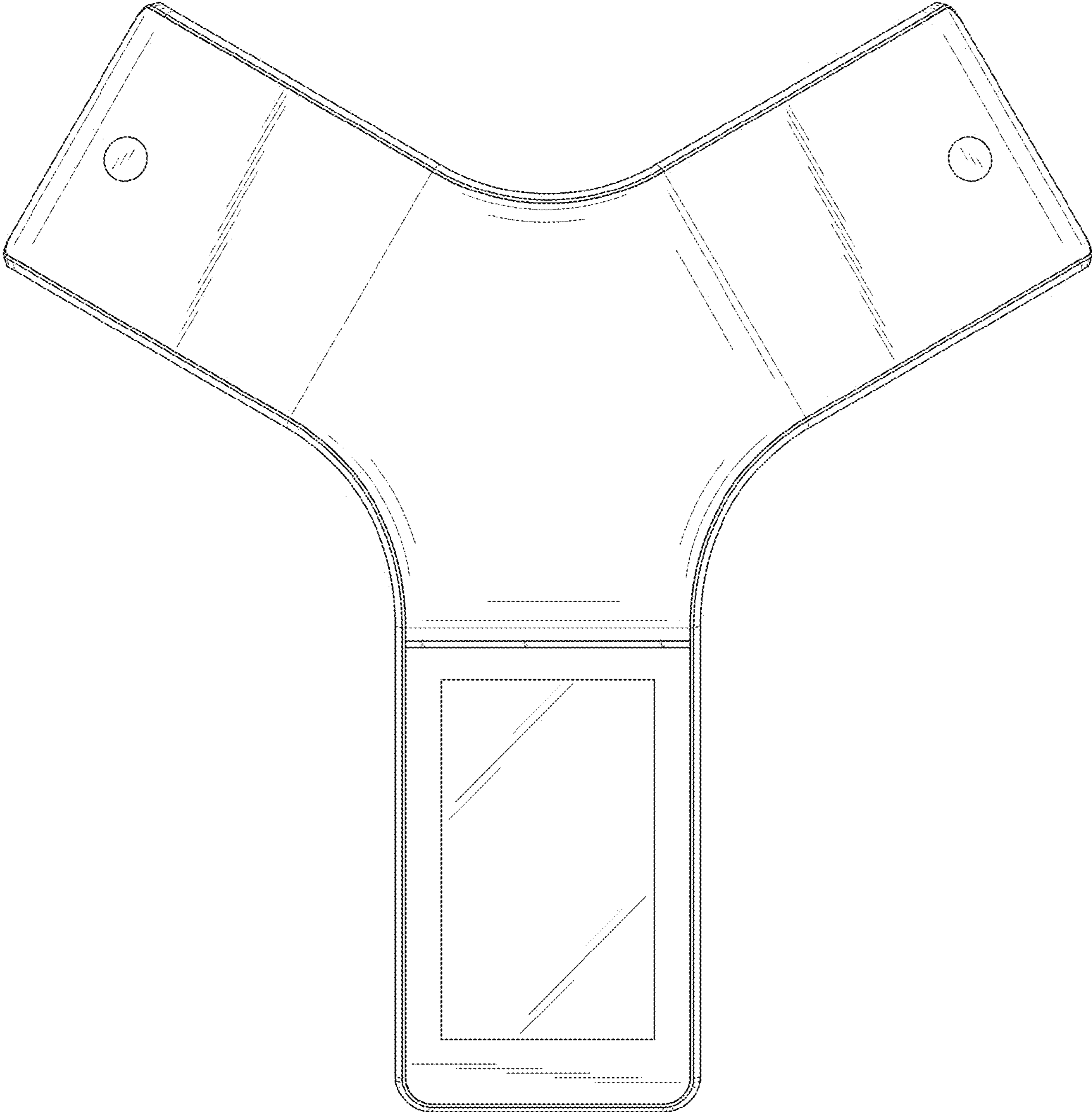


FIG.1

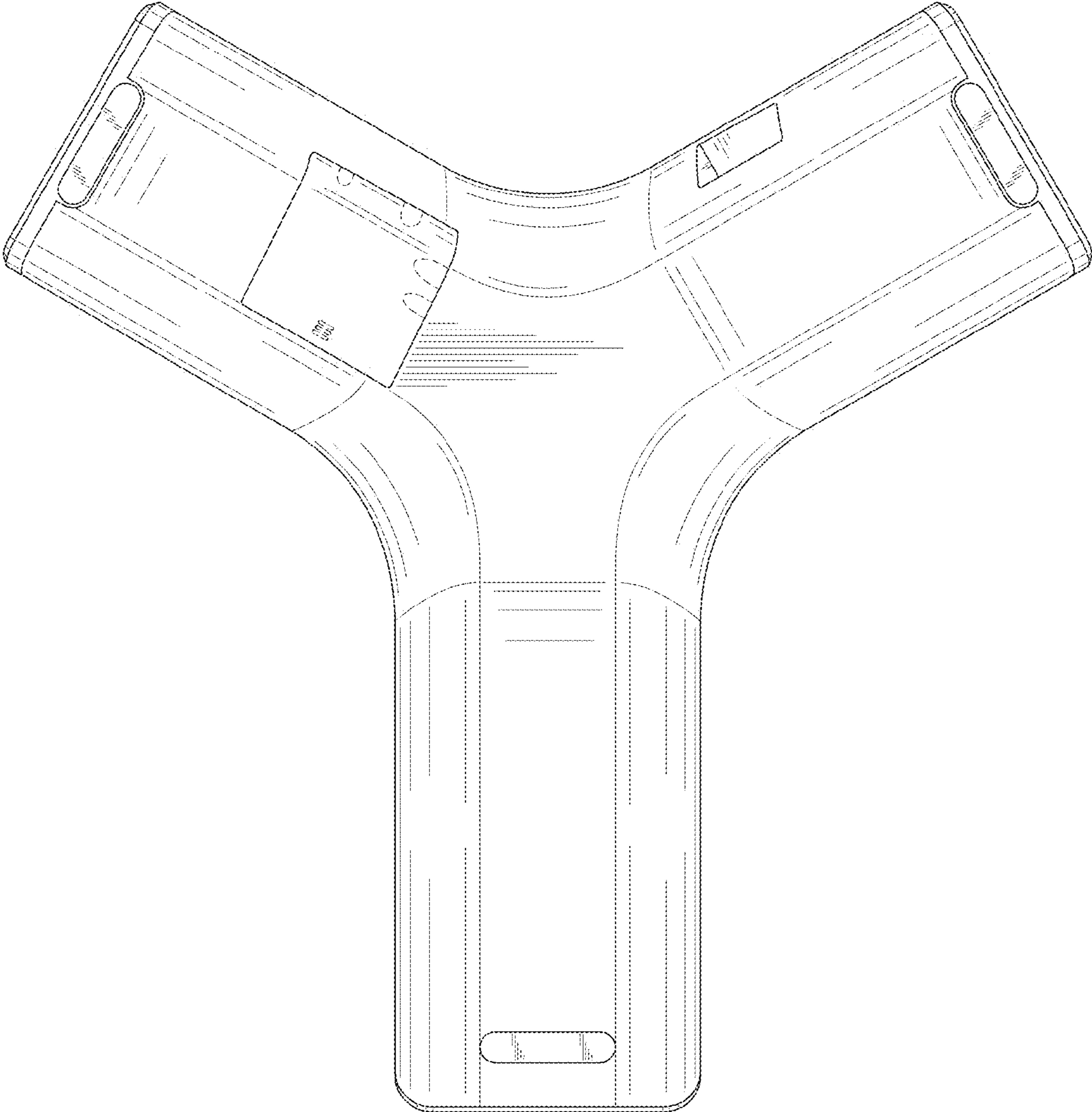


FIG.2

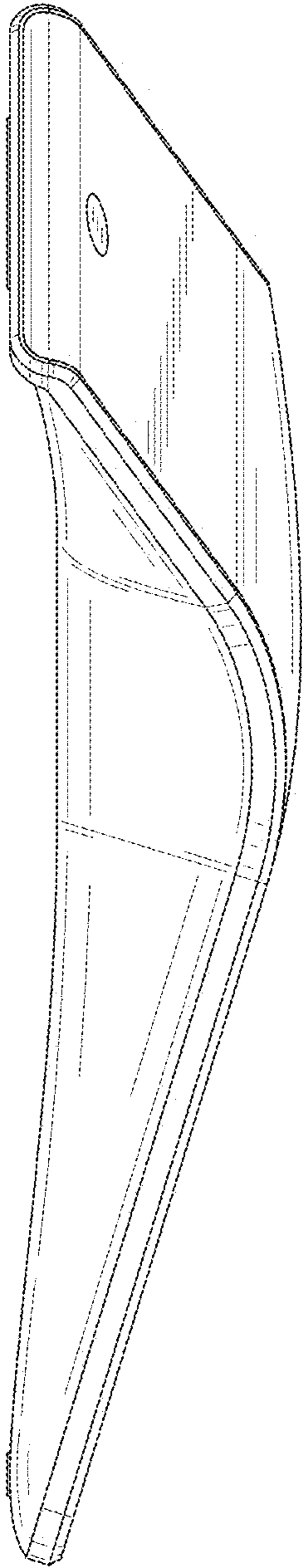


FIG.3

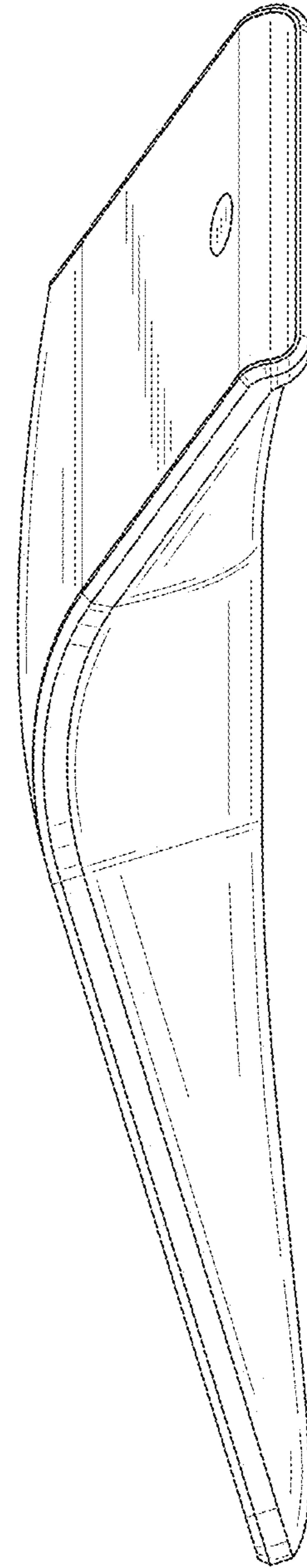


FIG.4

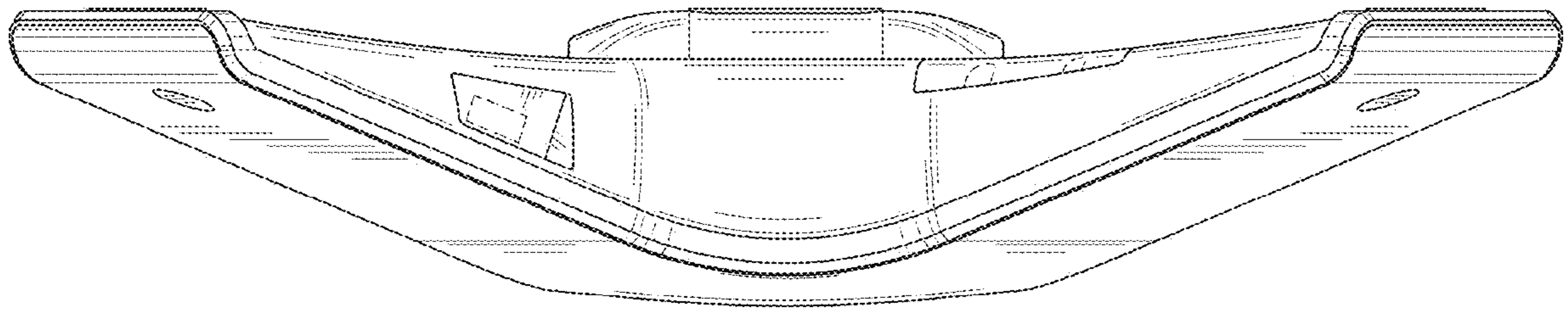


FIG. 5

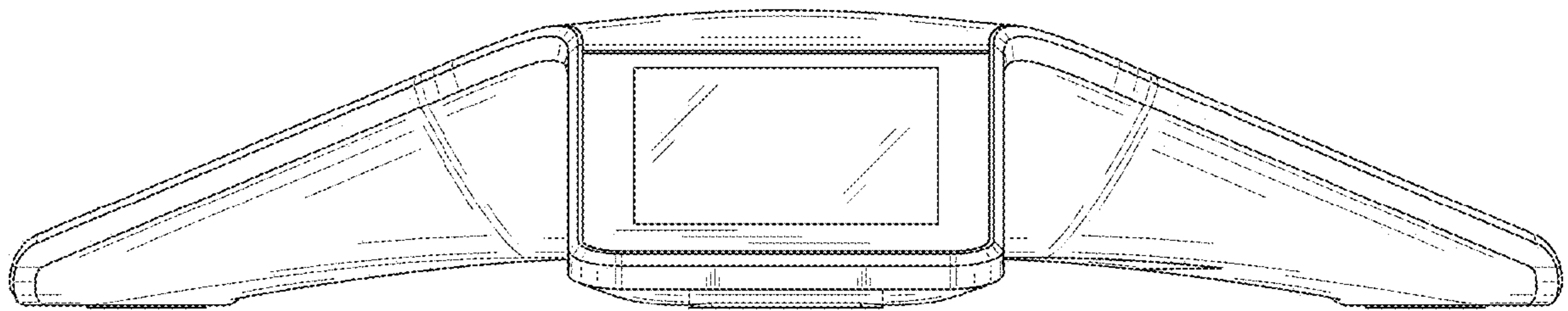


FIG. 6

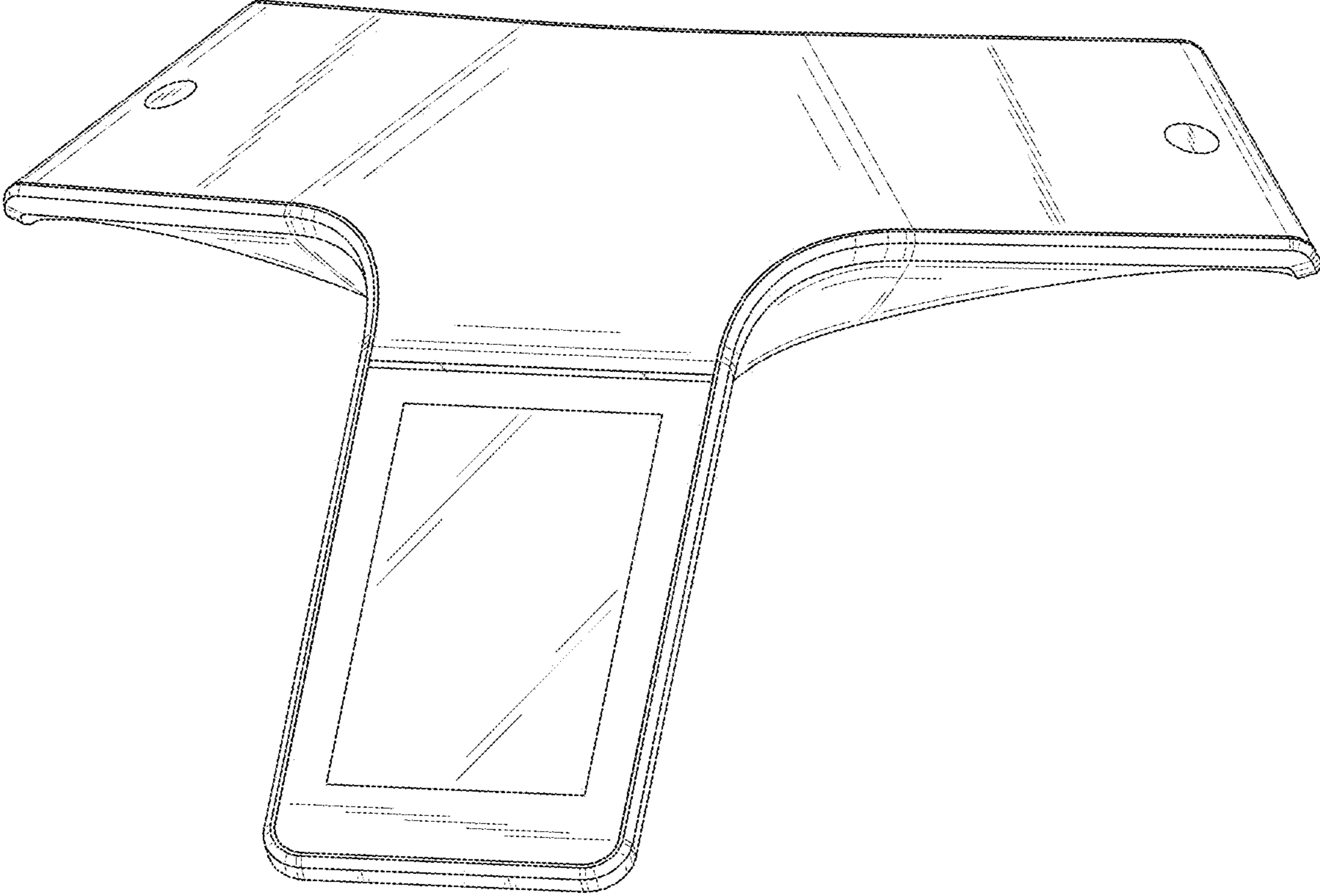


FIG.7

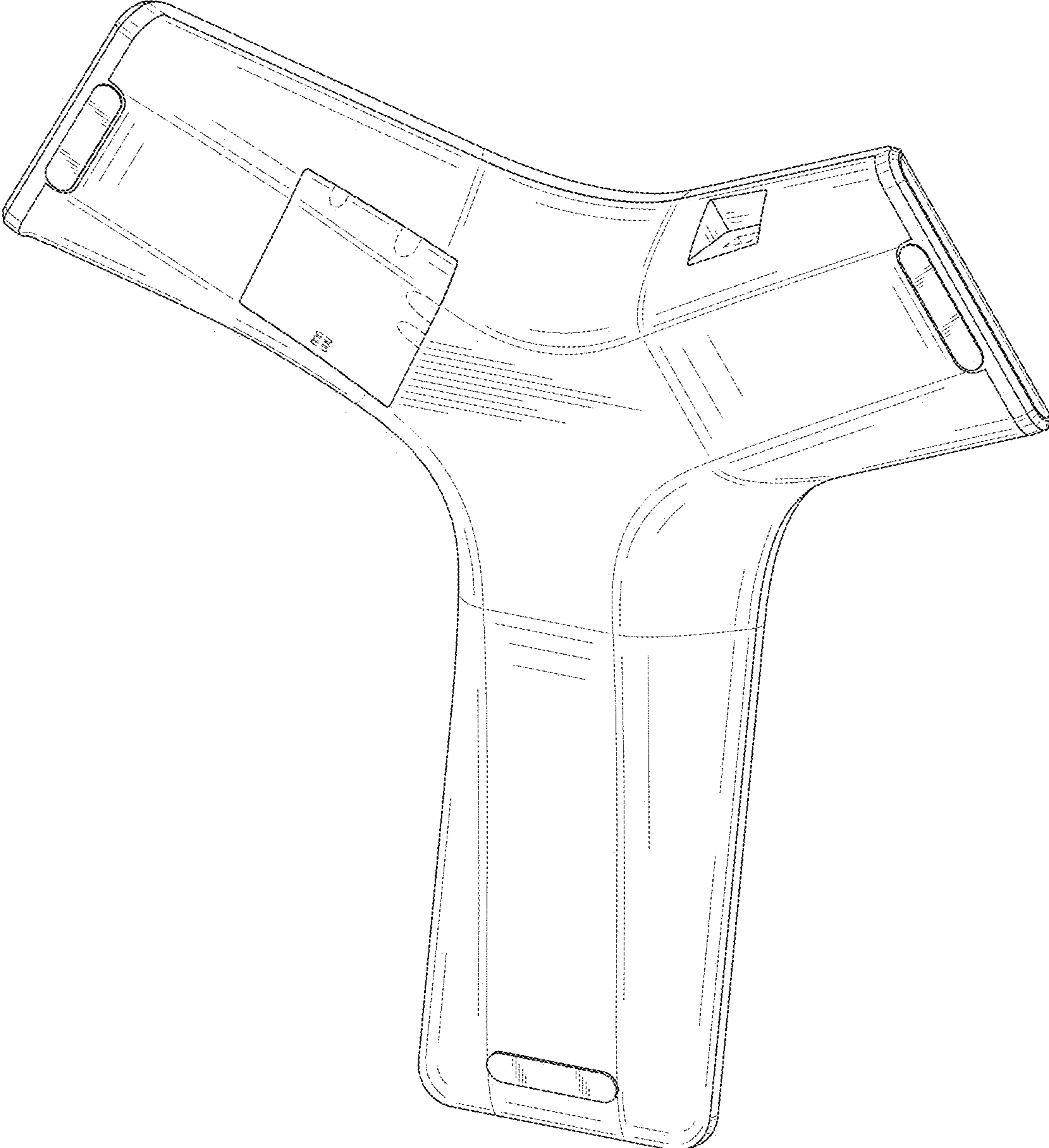


FIG.8