



US00D941260S

(12) **United States Design Patent**
Zhao et al.

(10) **Patent No.:** **US D941,260 S**
(45) **Date of Patent:** **** Jan. 18, 2022**

(54) **CONFERENCE COMMUNICATION
TERMINAL**

(71) Applicant: **YEALINK (XIAMEN) NETWORK
TECHNOLOGY CO., LTD.**, Fujian
(CN)

(72) Inventors: **Chengfei Zhao**, Fujian (CN);
Jiancheng Zhang, Fujian (CN)

(73) Assignee: **YEALINK (XIAMEN) NETWORK
TECHNOLOGY CO., LTD.**, Xiamen
(CN)

(**) Term: **15 Years**

(21) Appl. No.: **29/748,715**

(22) Filed: **Aug. 31, 2020**

(30) **Foreign Application Priority Data**

Jul. 27, 2020 (CN) 202030414501.0

(51) **LOC (13) Cl.** **14-03**

(52) **U.S. Cl.**
USPC **D14/149**

(58) **Field of Classification Search**

USPC D14/140, 140.1, 141.1, 142, 144, 147,
D14/149, 150, 155, 168, 172, 226, 192,
D14/221, 127-130, 204, 206, 209.1, 211,
D14/212, 213, 215, 216, 217, 240, 244,
D14/247, 299, 496, 356, 358, 432, 454;
D10/104.1, 106.1, 106.3, 106.5
CPC H04M 1/00; H04M 1/026; H04M 1/04;
H04M 1/6033; H04M 1/60041; H04M
3/02; H04M 3/005; H04M 3/56; H04M
3/564; H04M 3/568; H04M 9/02; H04M
9/022; H04M 9/08; H04R 1/00; H04R
1/02; H04R 1/403; H04R 1/406; H04R
27/00

See application file for complete search history.

(56) **References Cited**

U.S. PATENT DOCUMENTS

4,363,482	A	*	12/1982	Goldfarb	A63F 9/183 273/454
D292,283	S	*	10/1987	Matsuda	D14/212
D311,541	S	*	10/1990	Carre	379/420.01
D342,732	S	*	12/1993	Hinman	D14/150
D382,266	S	*	8/1997	Wakefield	D14/150
D403,328	S	*	12/1998	Wakefield	D14/229
D406,841	S	*	3/1999	Myung	D14/150
D411,995	S	*	7/1999	Chen	D14/150
D439,538	S	*	3/2001	Lynch	D10/106.2
D449,285	S	*	10/2001	Wakefield	D14/150
D449,286	S	*	10/2001	Wakefield	D14/150
D457,150	S	*	5/2002	Chen	D14/150
D461,179	S	*	8/2002	Christianson	D14/141.1
D463,410	S	*	9/2002	Strand	D14/240
D473,546	S	*	4/2003	Hovanky	D14/217

(Continued)

Primary Examiner — Marie D. Fast Horse

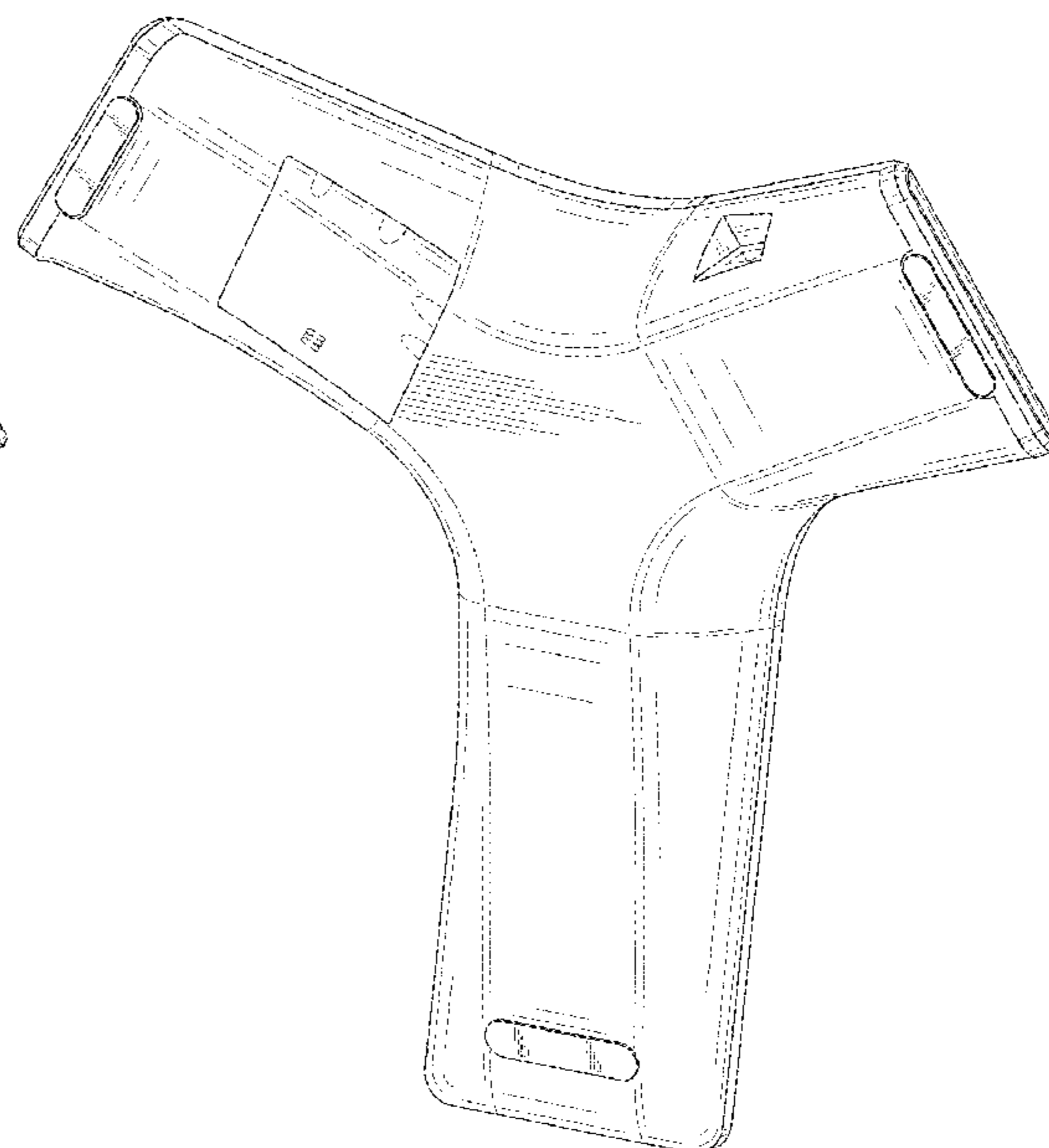
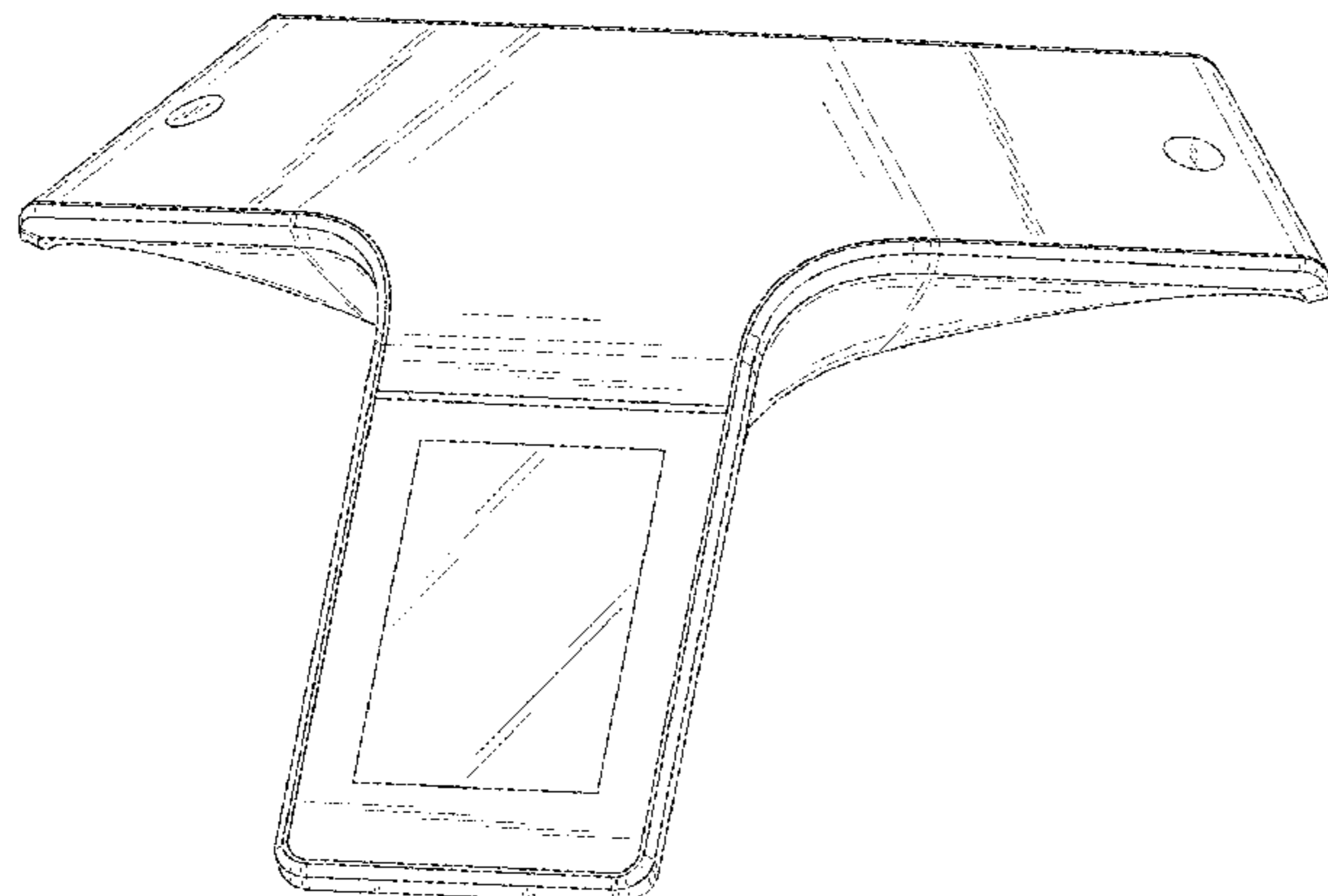
(57) **CLAIM**

The ornamental design for a conference communication terminal, as shown and described.

DESCRIPTION

FIG. 1 is a front elevational view of a conference communication terminal showing our new design;
FIG. 2 is a rear elevational view thereof;
FIG. 3 is a left side view thereof;
FIG. 4 is a right side view thereof;
FIG. 5 is a top plan view thereof;
FIG. 6 is a bottom plan view thereof;
FIG. 7 is a front, bottom and right side perspective view thereof; and,
FIG. 8 is a rear, top and left side perspective view thereof.
The broken lines in the drawings illustrate portions of the conference communication terminal which form no part of the claimed design.

1 Claim, 6 Drawing Sheets



(56)

References Cited

U.S. PATENT DOCUMENTS

D478,560	S	*	8/2003	Misrahi	D14/150
D480,059	S	*	9/2003	Misrahi	D14/150
D491,909	S	*	6/2004	Sun	D14/150
D556,179	S	*	11/2007	Chang	D14/150
D571,776	S	*	6/2008	Duys	D14/150
D579,911	S	*	11/2008	Wei	D14/155
D586,743	S	*	2/2009	Guccione	D13/107
D594,438	S	*	6/2009	Wada	D14/149
D620,916	S	*	8/2010	Wada	D14/149
D635,955	S	*	4/2011	Corrigan	D14/149
D640,227	S	*	6/2011	Wada	D14/149
D685,755	S	*	7/2013	Shin	D14/142
D714,258	S	*	9/2014	Montague	D14/221
D760,201	S	*	6/2016	Tompkin	H04M 1/02 D14/221
RE46,940	E	*	7/2018	Tompkin	H04M 1/02 D14/221
RE47,282	E	*	3/2019	Tompkin	H04M 1/02 D14/221
D846,524	S	*	4/2019	Lai	D14/149
D864,159	S	*	10/2019	Ding	D14/211
D883,248	S	*	5/2020	Zhang	D14/149
D885,360	S	*	5/2020	Zhang	D14/149
D886,075	S	*	6/2020	Zhang	D14/149
D901,428	S	*	11/2020	Zhang	D14/149
D902,169	S	*	11/2020	Rodriguez	D14/149
2003/0053620	A1	*	3/2003	Chen	H04M 1/02 379/447
2009/0268899	A1	*	10/2009	Tokuda	H04M 1/6033 379/420.02
2012/0058754	A1	*	3/2012	Couse	H04M 1/72412 455/416

* cited by examiner

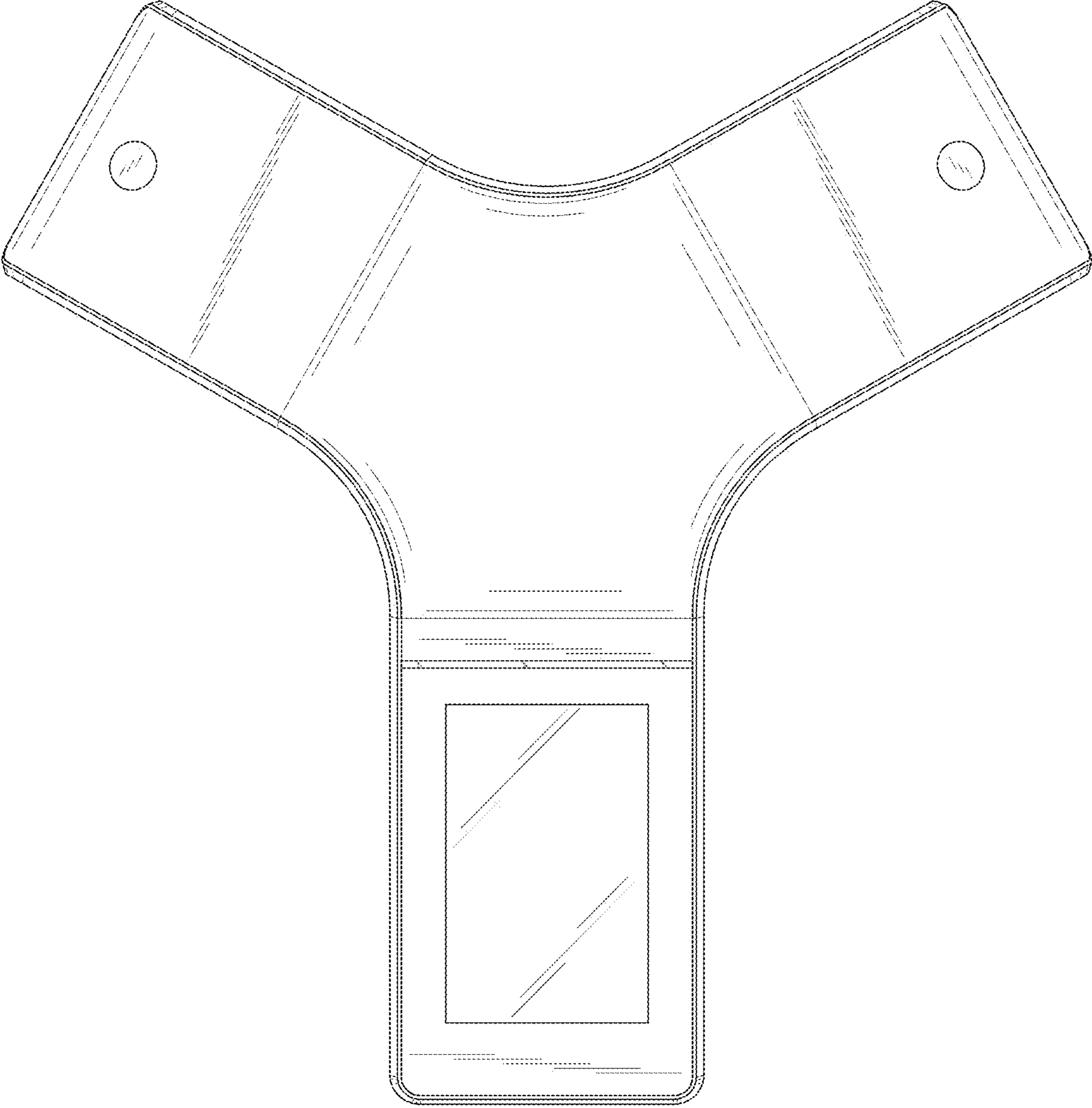


FIG.1

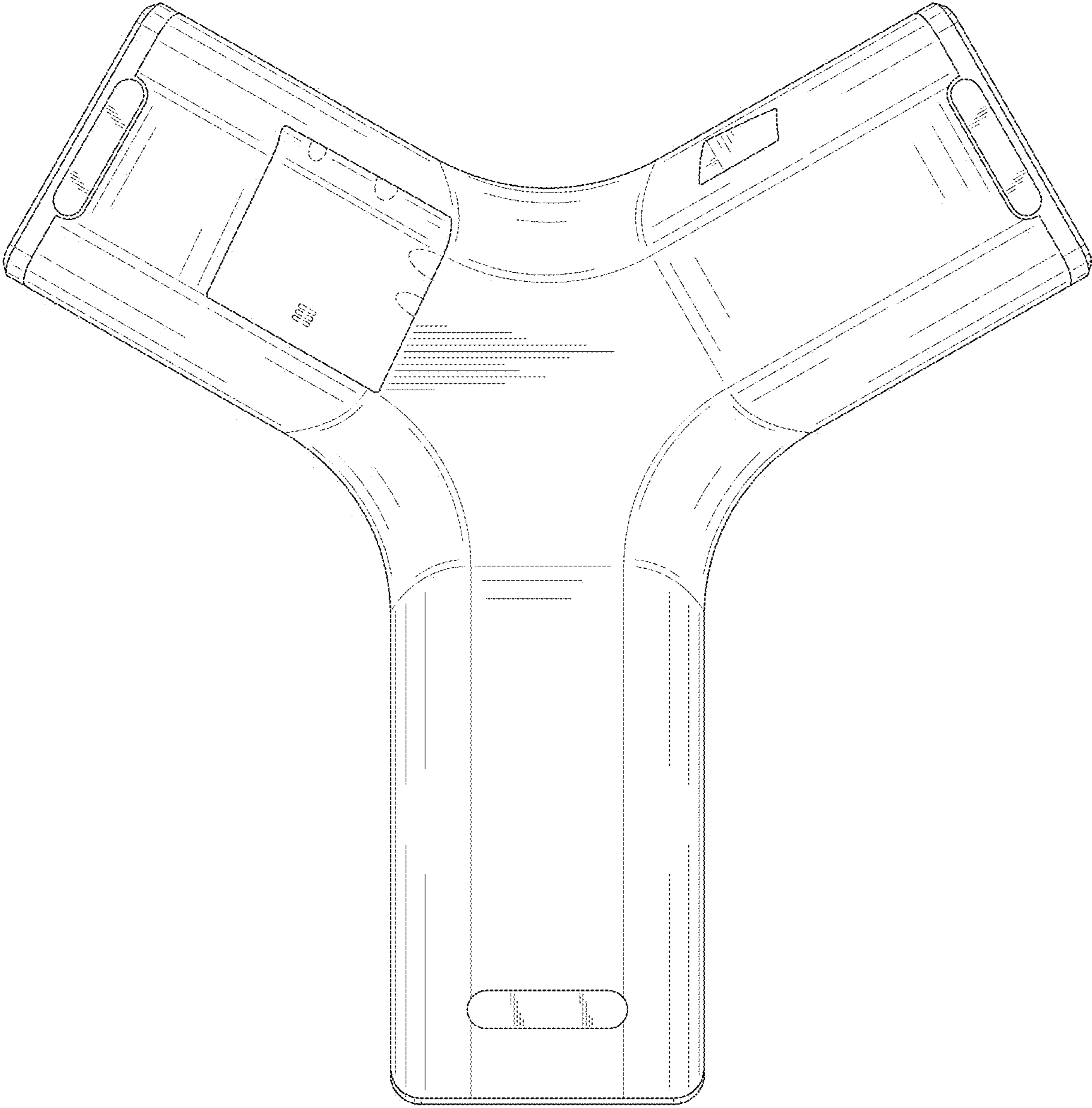


FIG.2

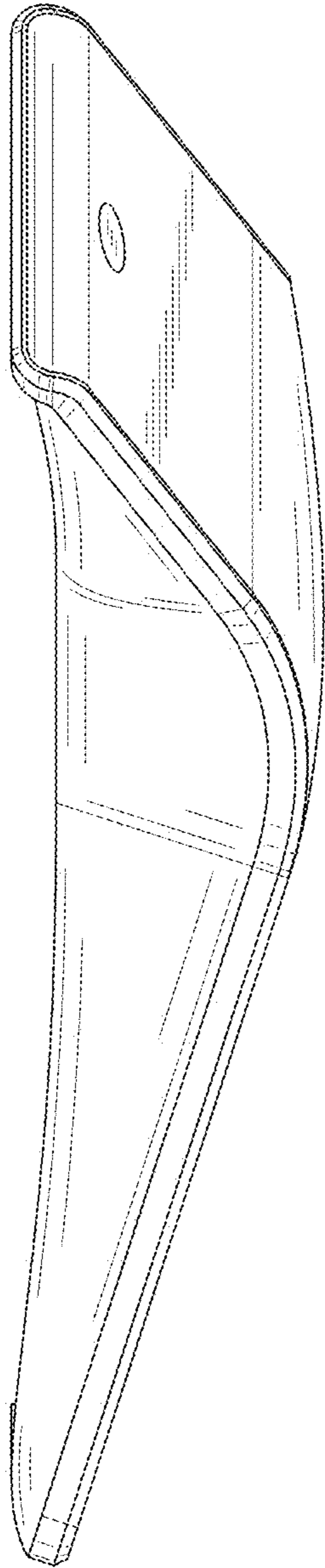


FIG.3

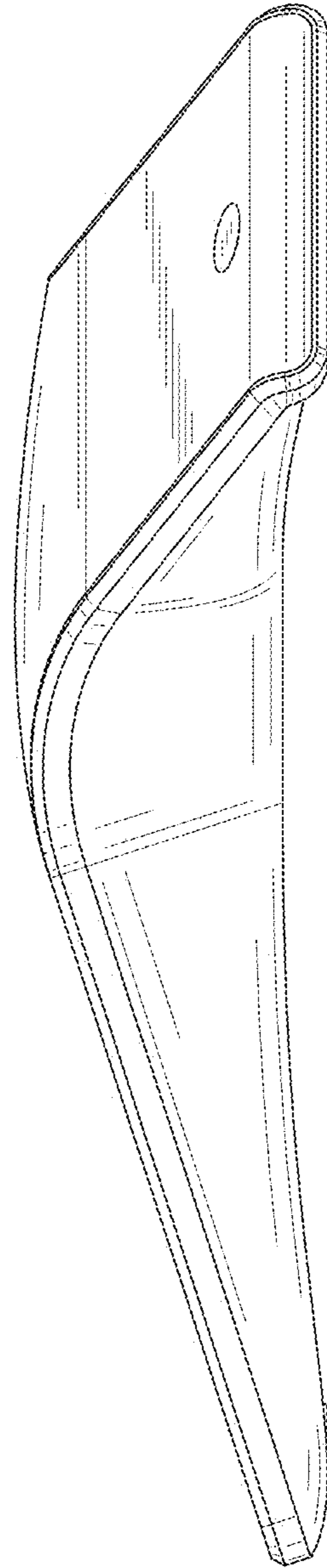


FIG.4

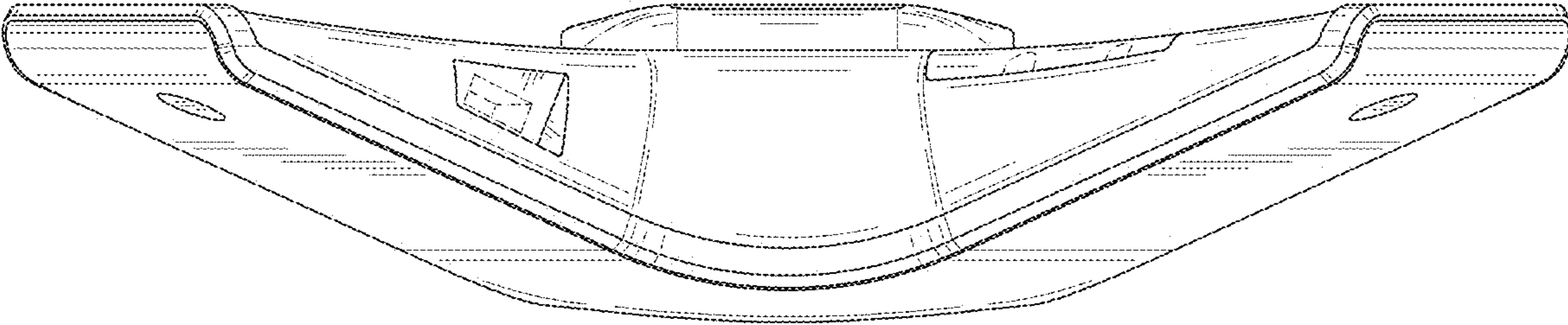


FIG.5

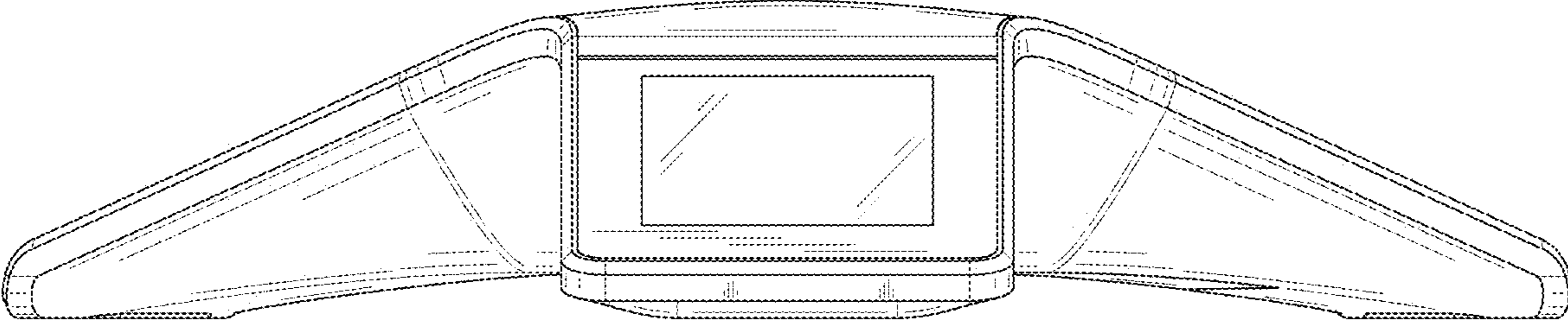


FIG.6

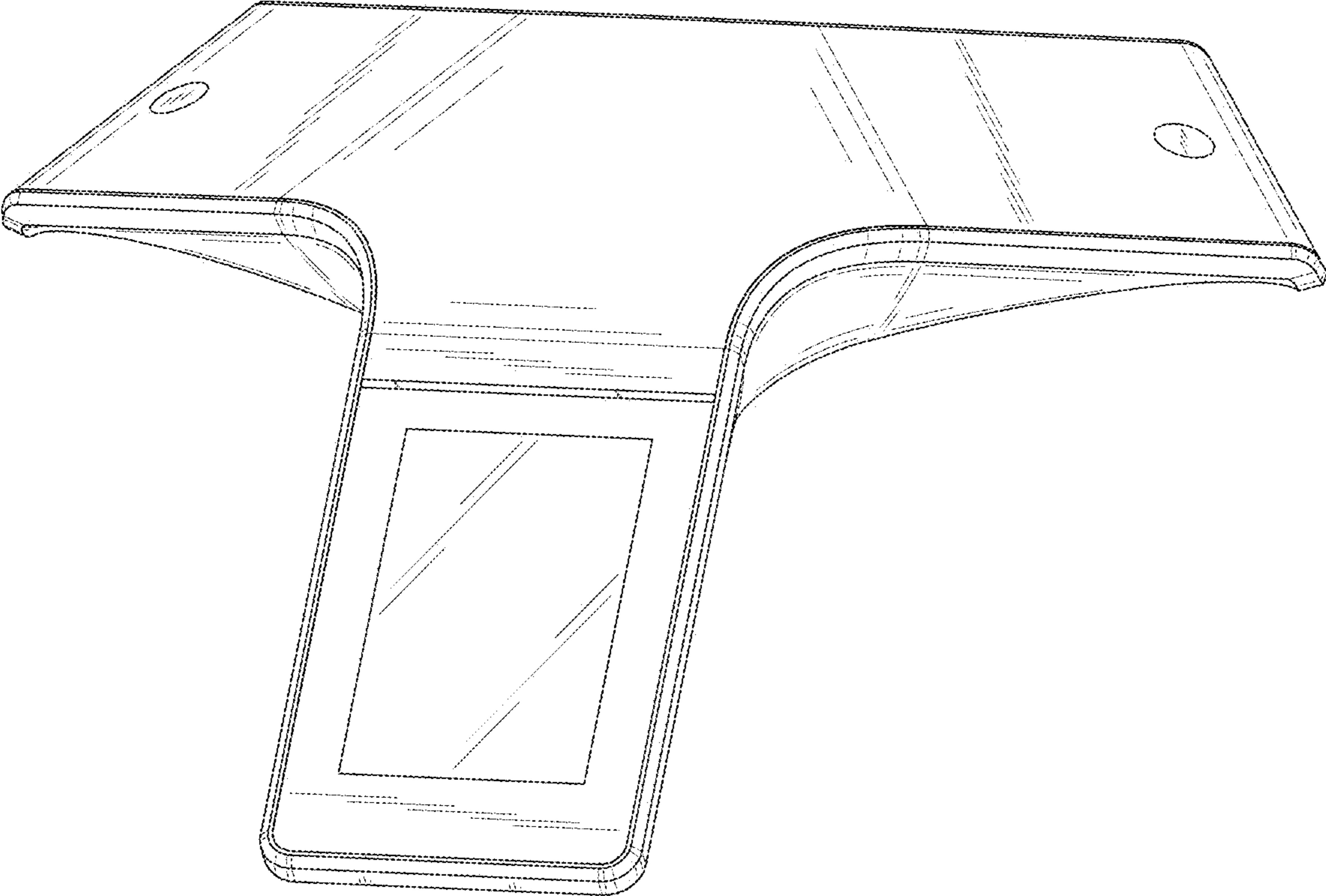


FIG.7

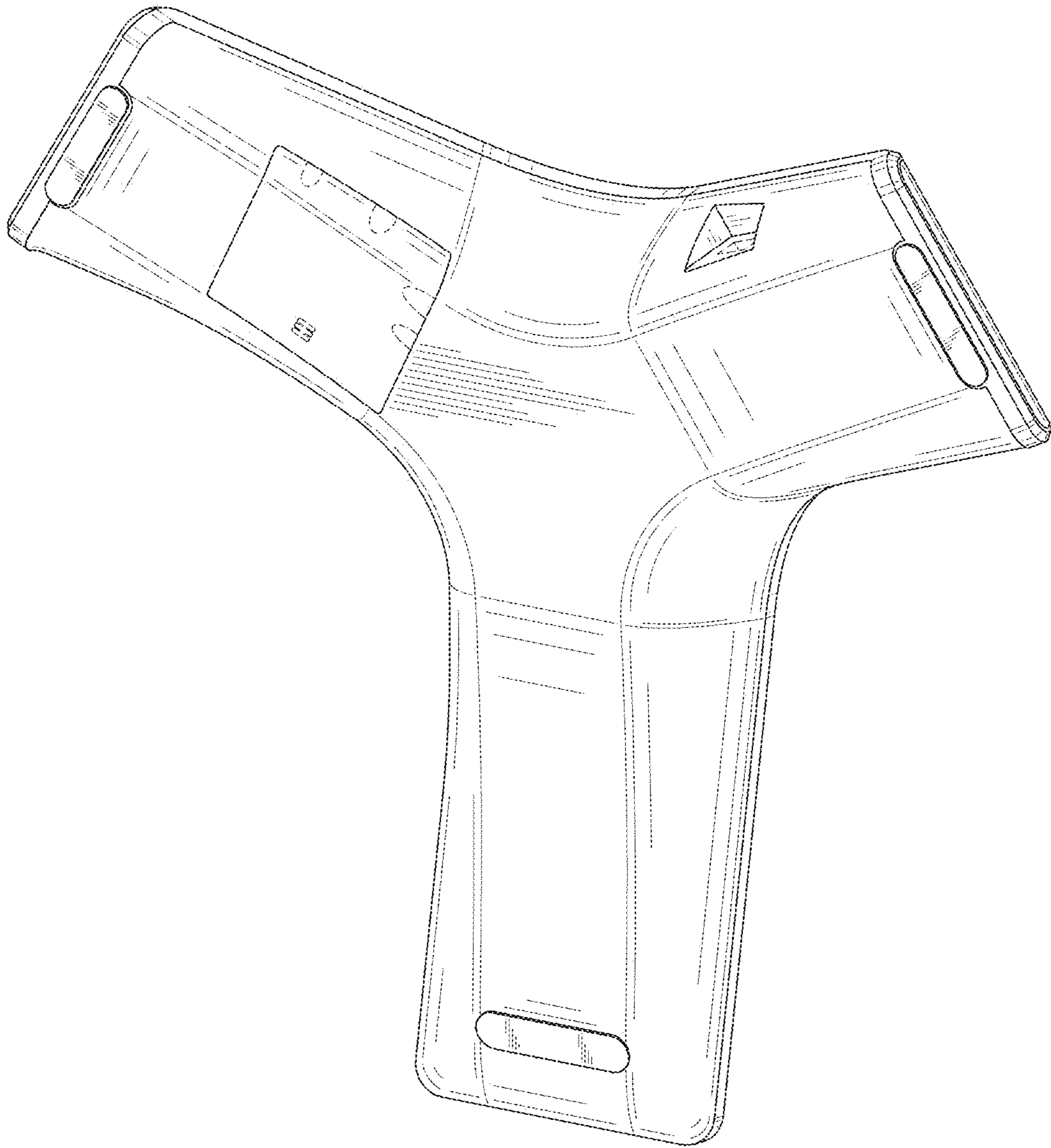


FIG.8