



US00D941258S

(12) **United States Design Patent**
Yokota et al.

(10) **Patent No.:** **US D941,258 S**
(45) **Date of Patent:** **** Jan. 18, 2022**

- (54) **TELEVISION RECEIVER**
- (71) Applicant: **SONY CORPORATION**, Tokyo (JP)
- (72) Inventors: **Hiroaki Yokota**, Tokyo (JP); **Shigeya Kuwao**, Kanagawa (JP); **Miho Yamada**, Saitama (JP); **Kirio Masui**, Tokyo (JP)
- (73) Assignee: **SONY CORPORATION**, Tokyo (JP)
- (**) Term: **15 Years**
- (21) Appl. No.: **29/641,185**
- (22) Filed: **Mar. 20, 2018**
- (30) **Foreign Application Priority Data**

- Dec. 28, 2017 (JP) D2017-029613
- Dec. 28, 2017 (JP) D2017-029614
- Dec. 28, 2017 (JP) D2017-029615
- Dec. 28, 2017 (JP) D2017-029616
- Dec. 28, 2017 (JP) D2017-029618
- Dec. 29, 2017 (CN) 201730682818.0

- (51) **LOC (13) Cl.** **14-03**
- (52) **U.S. Cl.**
USPC **D14/126; D14/239**
- (58) **Field of Classification Search**
USPC D14/371, 373-377, 382, 451, 126, 239,
D14/125, 127, 129; D6/708, 708.16, 300,
D6/308, 310-313, 691.6; D8/349, 354,
D8/363, 373, 376, 380
CPC G06F 1/1601; H04N 5/64; H04N 5/655;
H05K 5/0017; H05K 5/0234
See application file for complete search history.

- (56) **References Cited**
U.S. PATENT DOCUMENTS
D294,700 S * 3/1988 Sakuta D14/126
D300,830 S * 4/1989 Lowry D14/126

- D311,734 S * 10/1990 Miyahara D14/126
- D345,970 S * 4/1994 Kawamoto D14/125
- D350,953 S * 9/1994 Harada D14/126
- D352,027 S * 11/1994 Renk D14/126
- D360,413 S * 7/1995 Kawazoe D14/125
- D376,588 S * 12/1996 Shinano D14/126
- D382,259 S * 8/1997 Nagai D14/126
- D390,217 S * 2/1998 Prstojevich D14/125
- D397,094 S * 8/1998 Kishi D14/126
- D408,416 S * 4/1999 Fenner D14/126
- D529,011 S * 9/2006 Asanuma D14/126
- D533,157 S * 12/2006 Park D14/126
- D540,276 S * 4/2007 Naruo D14/126
- D542,244 S * 5/2007 Li D14/126
- D543,516 S * 5/2007 Han D14/126

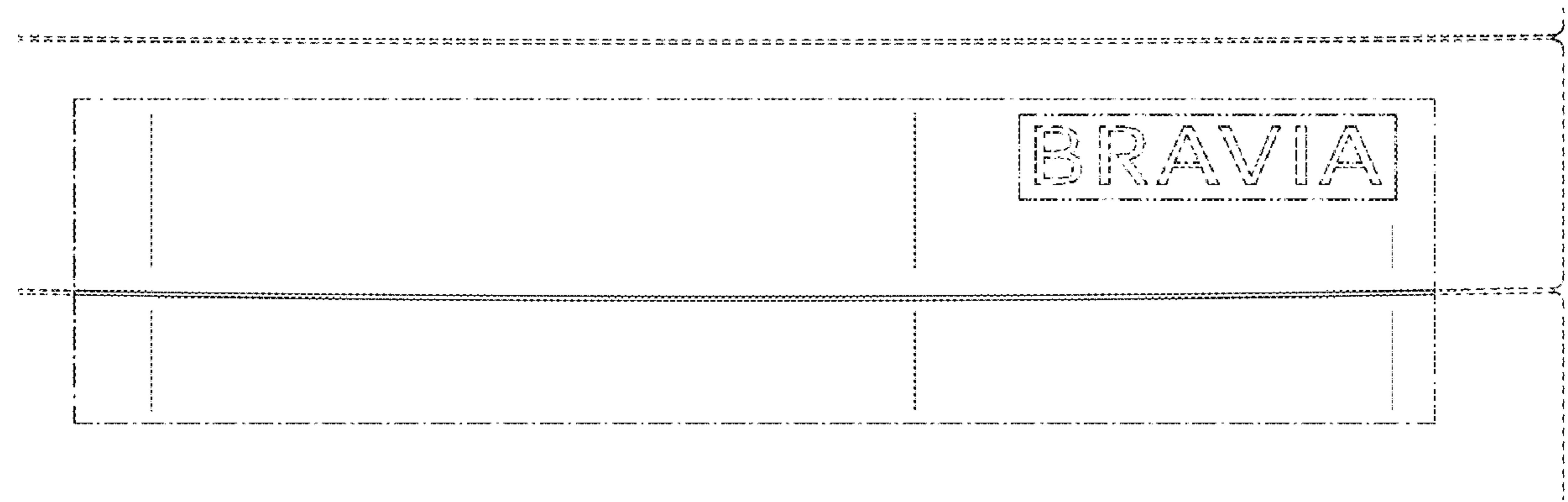
(Continued)

Primary Examiner — Brett Miller
(74) *Attorney, Agent, or Firm* — Michael Best and Friedrich LLP

(57) **CLAIM**
The ornamental design for a television receiver, as shown and described.

DESCRIPTION
FIG. 1 is a rear, top, left perspective view of a first embodiment of a television receiver showing our new design;
FIG. 2 is a rear elevational view thereof;
FIG. 3 is a left side elevational view thereof; and,
FIG. 4 is a partially enlarged rear elevational view thereof along the lines 4-4 and 4'-4' of FIG. 2.
The even-dash broken lines illustrating portions of the television receiver form no part of the claimed design. The single dot-dash broken lines and the double dot-dash broken lines defining boundaries of the claimed design, wherein inside area of the single dot-dash broken lines is claimed excepting inside area of the double dot-dash broken lines. The single dash and double dash broken lines form no part of the claimed design.

1 Claim, 4 Drawing Sheets



(56)

References Cited

U.S. PATENT DOCUMENTS

D543,960 S *	6/2007	Bloem	D14/126	D700,170 S *	2/2014	Choi	D14/239
D558,163 S *	12/2007	Chiu	D14/126	D700,187 S *	2/2014	Lee	D14/451
D560,689 S *	1/2008	Cho	D14/188	D701,855 S	4/2014	Kumano et al.		
D563,335 S *	3/2008	Murata	D14/126	D702,657 S *	4/2014	Chen	D14/126
D563,337 S *	3/2008	Bloem	D14/126	D703,626 S *	4/2014	Hermansen	D14/126
D563,914 S *	3/2008	Chiu	D14/126	D705,200 S *	5/2014	Choi	D14/239
D565,517 S *	4/2008	Chien	D14/126	D715,752 S *	10/2014	Buch	D14/125
D567,194 S *	4/2008	Inaba	D14/126	D719,120 S *	12/2014	Park	D14/126
D567,196 S *	4/2008	Shih	D14/126	D725,616 S *	3/2015	Oh	D14/126
D570,314 S *	6/2008	Lee	D14/126	D728,527 S *	5/2015	Kim	D14/217
D582,362 S *	12/2008	Hanafusa	D14/125	D741,273 S *	10/2015	Huh	D14/126
D621,375 S *	8/2010	Nagase	D14/126	D744,969 S *	12/2015	Kim	D14/126
D623,620 S *	9/2010	Kim	D14/126	D751,048 S *	3/2016	Yoon	D14/126
D635,533 S *	4/2011	Cho	D14/125	D778,856 S	2/2017	Yokota		
D636,357 S *	4/2011	Kim	D14/125	D783,555 S *	4/2017	Cho	D14/126
D640,252 S *	6/2011	Kuroda	D14/307	D784,305 S *	4/2017	Lee	D14/239
D646,244 S *	10/2011	Araki	D14/126	D787,462 S	5/2017	Shiono et al.		
D671,540 S	11/2012	Yukawa et al.			D788,749 S *	6/2017	Lee	D14/239
D680,509 S *	4/2013	Hwangbo	D14/126	D788,750 S *	6/2017	Choi	D14/239
D690,675 S *	10/2013	Kim	D14/126	D793,402 S *	8/2017	Kwon	D14/451
D691,102 S *	10/2013	Park	D14/126	D794,620 S *	8/2017	Lee	D14/239
D696,212 S *	12/2013	Chen	D14/126	D818,999 S *	5/2018	Kim	D14/239
D698,795 S *	2/2014	Chang	D14/451	D821,370 S *	6/2018	Kim	D14/239
					D835,058 S *	12/2018	Kim	D14/126
					2017/0150088 A1 *	5/2017	Niina	G06F 1/1601
					2018/0080599 A1 *	3/2018	Heckler	F16M 11/22

* cited by examiner

FIG.1

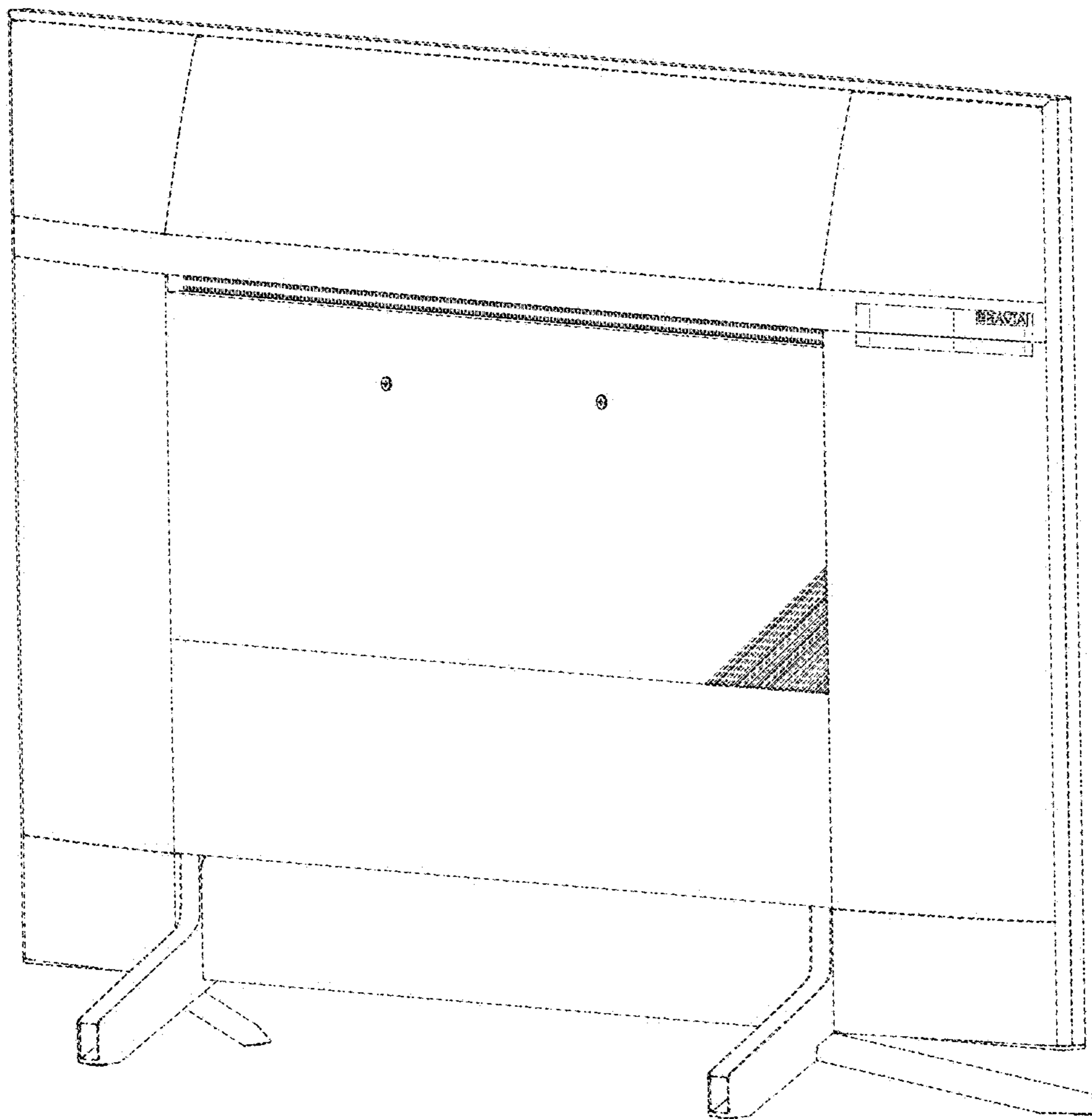


FIG.2

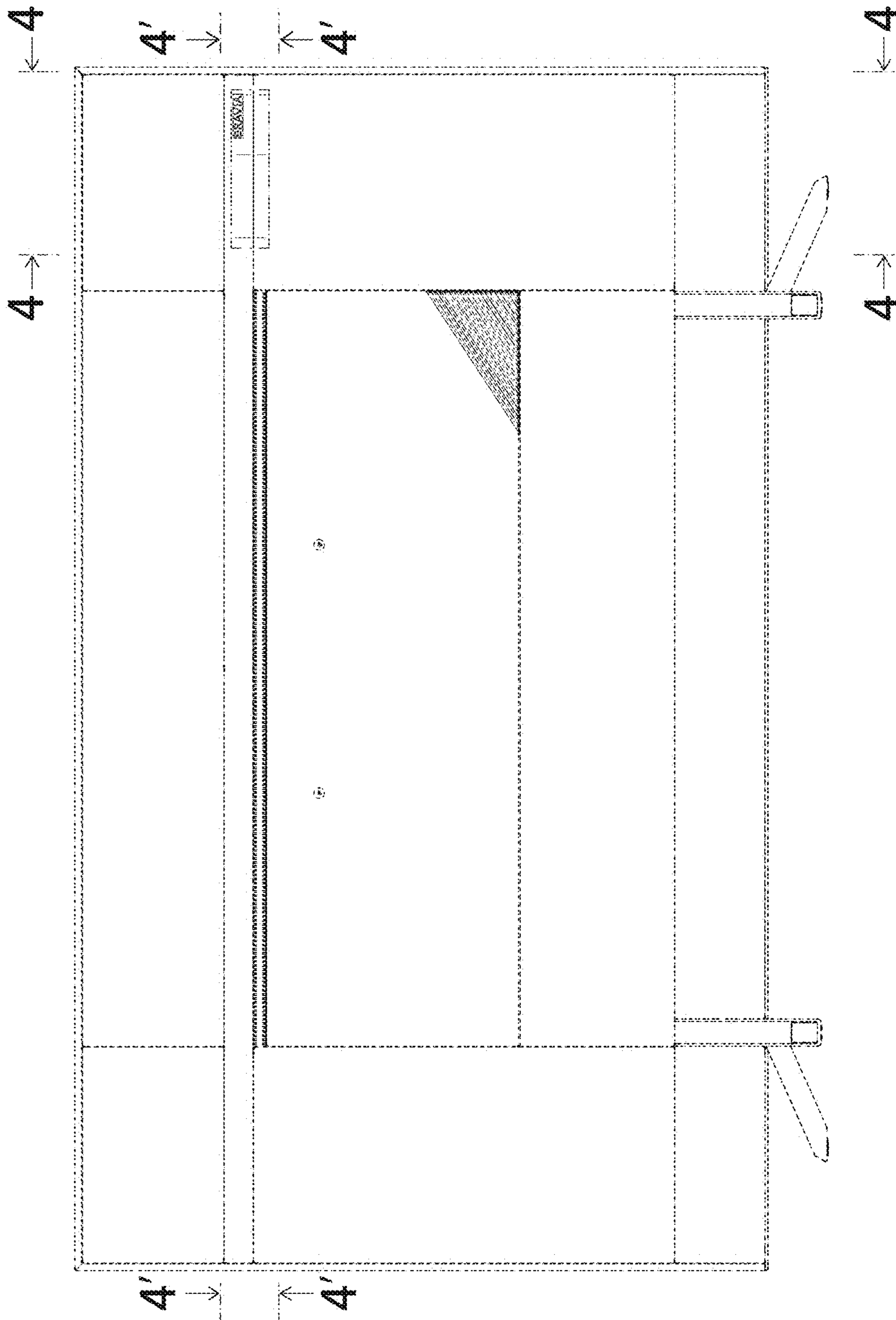


FIG.3

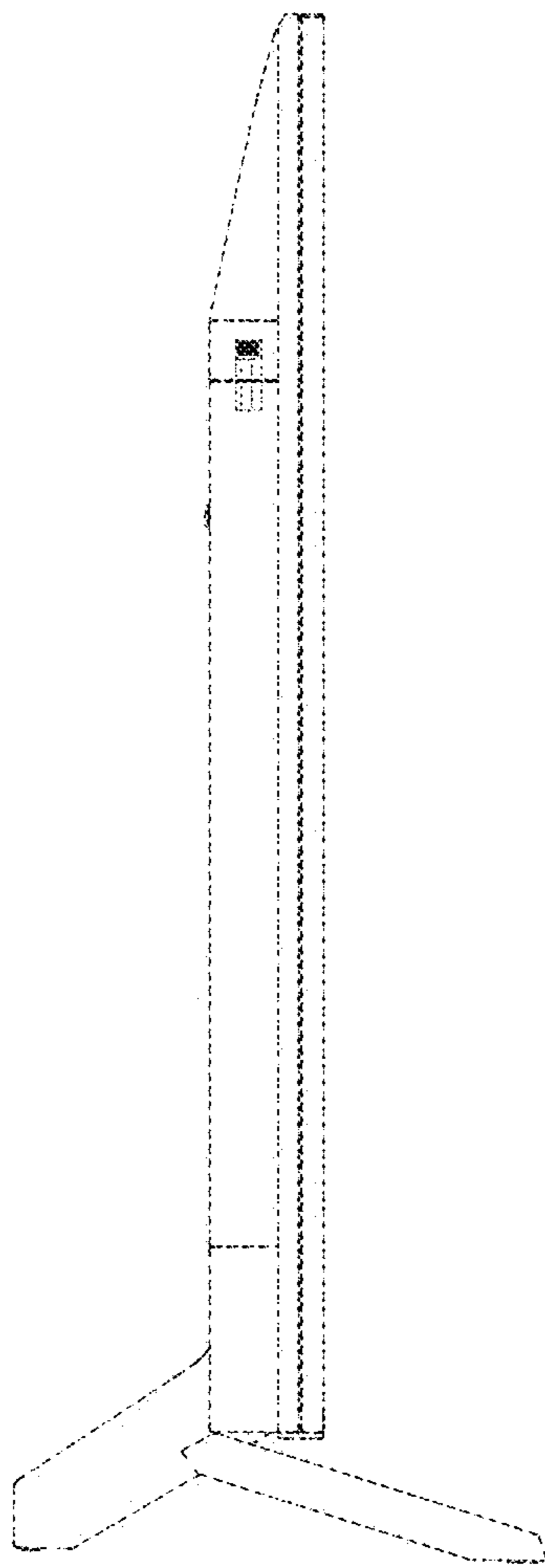


FIG.4

