



US00D941257S

(12) **United States Design Patent** (10) **Patent No.:** **US D941,257 S**
Jia (45) **Date of Patent:** **** Jan. 18, 2022**

(54) **IP ENCODER**

(71) Applicant: **ATEL Technologies Co., Ltd.**,
Guangdong (CN)

(72) Inventor: **Zhengdong Jia**, Guangdong (CN)

(**) Term: **15 Years**

(21) Appl. No.: **29/718,252**

(22) Filed: **Dec. 23, 2019**

(51) **LOC (13) Cl.** **14-03**

(52) **U.S. Cl.**

USPC **D14/125**; D14/358; D14/433

(58) **Field of Classification Search**

USPC ... D14/356, 357, 358, 432, 433, 435.1, 230,
D14/240, 242, 299, 125, 140, 155, 168,
D14/188, 195, 496, 142, 480.1, 480.3,
D14/480.5; D13/123, 162, 162.1, 168,
D13/173, 184, 199; D10/104.1, 106.6,
D10/116.1, 61, 64, 75

CPC ... H04W 88/08; H04W 88/085; H04W 88/00;
H04W 88/005; H04W 88/02; H04W
88/12; H04W 88/14; H04W 88/16; H04W
88/18; H04W 88/182; H04W 4/00; H01Q
1/02; H01Q 1/2291; H01Q 1/246; H04B
1/38; H04N 19/44; H04N 21/00; H04N
21/43635; H04N 21/6379; H04N
1/00095; H04N 1/00124; H04N 1/00204

See application file for complete search history.

(56) **References Cited**

U.S. PATENT DOCUMENTS

D244,762 S * 6/1977 Wasmer D10/75
D305,230 S * 12/1989 Math D14/358
D309,132 S * 7/1990 Muller D14/242
D327,880 S * 7/1992 Lou D13/147
D330,704 S * 11/1992 Wagner D13/147
D331,572 S * 12/1992 Roe D14/433
D336,467 S * 6/1993 Pooley D13/147
D338,193 S * 8/1993 Sasaki D13/147
D361,989 S * 9/1995 Cox D13/147

D362,250 S * 9/1995 Harding D14/138 R
D363,918 S * 11/1995 Buongervino D13/147
D366,480 S * 1/1996 Shimizu D14/242
D366,878 S * 2/1996 Wakabayashi D13/147
D377,006 S * 12/1996 England D13/147
D381,978 S * 8/1997 Nakada D14/358
D383,801 S * 9/1997 Oikawa D14/358
D386,473 S * 11/1997 England D13/147

(Continued)

FOREIGN PATENT DOCUMENTS

EM 006654554-0011 * 8/2019

OTHER PUBLICATIONS

USB WiFi Repeater. (Online) 6 pgs. Available Oct. 21, 2019 .
[Retrieved Nov. 17, 2021] <https://www.amazon.com/Repeater-Wireless-Amplifier-Multi-Functional-Extender/dp/B07ZDBDBVK>.*

(Continued)

Primary Examiner — Marie D. Fast Horse
(74) *Attorney, Agent, or Firm* — W&KIP

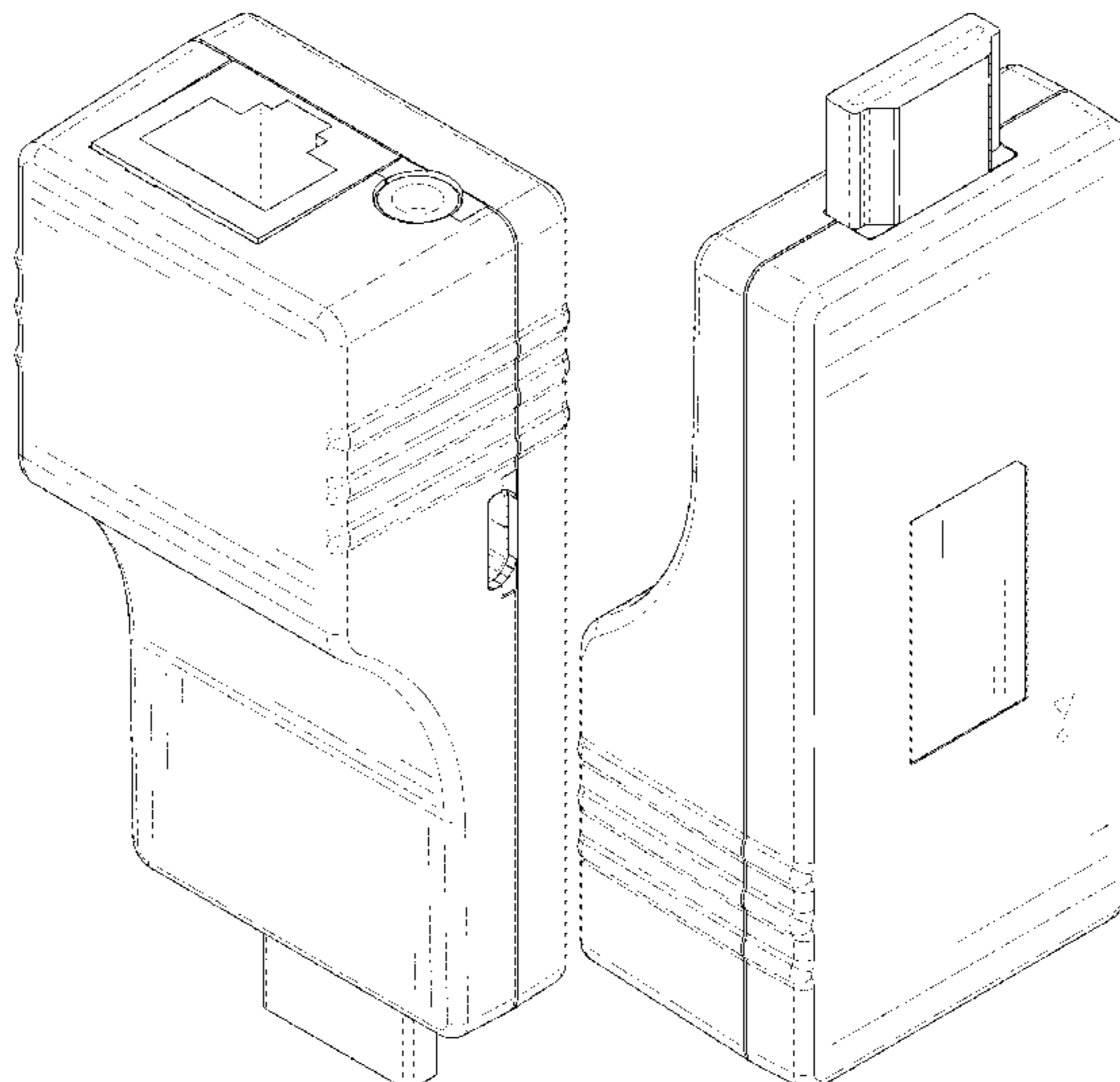
(57) **CLAIM**

The ornamental design for an IP encoder, as shown and described.

DESCRIPTION

FIG. 1 is a front and top perspective view of an IP encoder, showing my new design;
FIG. 2 is a rear and bottom perspective view thereof;
FIG. 3 is a front elevational view thereof;
FIG. 4 is a rear elevational view thereof;
FIG. 5 is a left side elevational view thereof;
FIG. 6 is a right side elevational view thereof;
FIG. 7 is a top plan view thereof; and,
FIG. 8 is a bottom plan view thereof.
The broken lines in the figures illustrate portions, of the IP encoder that form no part of the claimed design.

1 Claim, 8 Drawing Sheets



(56)

References Cited

U.S. PATENT DOCUMENTS

D387,732 S * 12/1997 England D13/147
 D395,314 S * 6/1998 Oikawa D14/242
 D408,384 S * 4/1999 Hata D14/435.1
 D432,082 S * 10/2000 Chang D13/123
 D443,859 S * 6/2001 Hogan D13/133
 D480,688 S * 10/2003 Lin D13/147
 D498,759 S * 11/2004 Lewis D14/242
 D500,755 S * 1/2005 Chung D14/240
 D502,182 S * 2/2005 Mitchell D14/436
 D509,214 S * 9/2005 Chung D14/240
 D520,001 S * 5/2006 Katayama D14/358
 D532,000 S * 11/2006 Merrow D14/240
 D537,780 S * 3/2007 Suckle D13/133
 D540,315 S * 4/2007 Merrow D14/240
 D573,985 S * 7/2008 Jeong D14/240
 D576,626 S * 9/2008 On D14/436
 D605,650 S * 12/2009 Ribeiro D13/153
 D624,924 S * 10/2010 Lee D14/480.5
 D642,165 S * 7/2011 Kyriakides D14/240
 D642,549 S * 8/2011 Zeinoun D14/125
 D659,565 S * 5/2012 Bowman D10/65
 D670,255 S * 11/2012 Clark D13/168
 D674,785 S * 1/2013 Kyriakides, II D14/240
 D682,835 S * 5/2013 Daniel D14/433
 D691,970 S * 10/2013 Wu D13/168
 D695,315 S * 12/2013 Baggio D14/496
 D717,747 S * 11/2014 Nishimoto D14/125
 D755,790 S * 5/2016 Salvatori D14/433
 D759,016 S * 6/2016 Zaslavsky D14/433

D802,602 S * 11/2017 Chen D14/480.5
 D805,046 S * 12/2017 Lahiri D14/125
 D816,609 S * 5/2018 Komuro D13/110
 D819,631 S * 6/2018 Matsumiya D14/357
 D821,393 S * 6/2018 Matsumiya D14/358
 D825,557 S * 8/2018 Matsumiya D14/358
 D856,291 S * 8/2019 Sun D14/125
 D878,374 S * 3/2020 Wenlian D14/433
 D899,428 S * 10/2020 Shen D14/433
 D904,417 S * 12/2020 Cueto D14/480.1
 D910,623 S * 2/2021 Cueto D14/358
 D917,439 S * 4/2021 Mochizuki D14/240
 D918,067 S * 5/2021 Li D10/60
 D922,968 S * 6/2021 Christiansen D13/173
 D931,242 S * 9/2021 Walter D14/125
 D931,243 S * 9/2021 Walter D14/125
 D934,938 S * 11/2021 Li D16/202

OTHER PUBLICATIONS

DDMALL Mini H-265 H-264 HDMI Video Encoder. (Online) 10 pgs. Available Mar. 20, 2019 . [Retrieved Nov. 17, 2021] <https://www.amazon.com/DDMALL-Portable-USB-Powered-Smallest-Facebook/dp/B07PW4VYDZ>.
 DDMALL Wireless Mini HDMI Video Live Streaming Broadcast Encoder. (Online) 11 pgs. Available Jul. 11, 2019 . [Retrieved Nov. 17, 2021] https://www.amazon.com/DDMALL-Wireless-Portable-USB-Powered-Streaming/dp/B07V8H4RYY/ref=pd_lpo_1?pd_rd_i=B07V8H4RYY&psc=1.

* cited by examiner

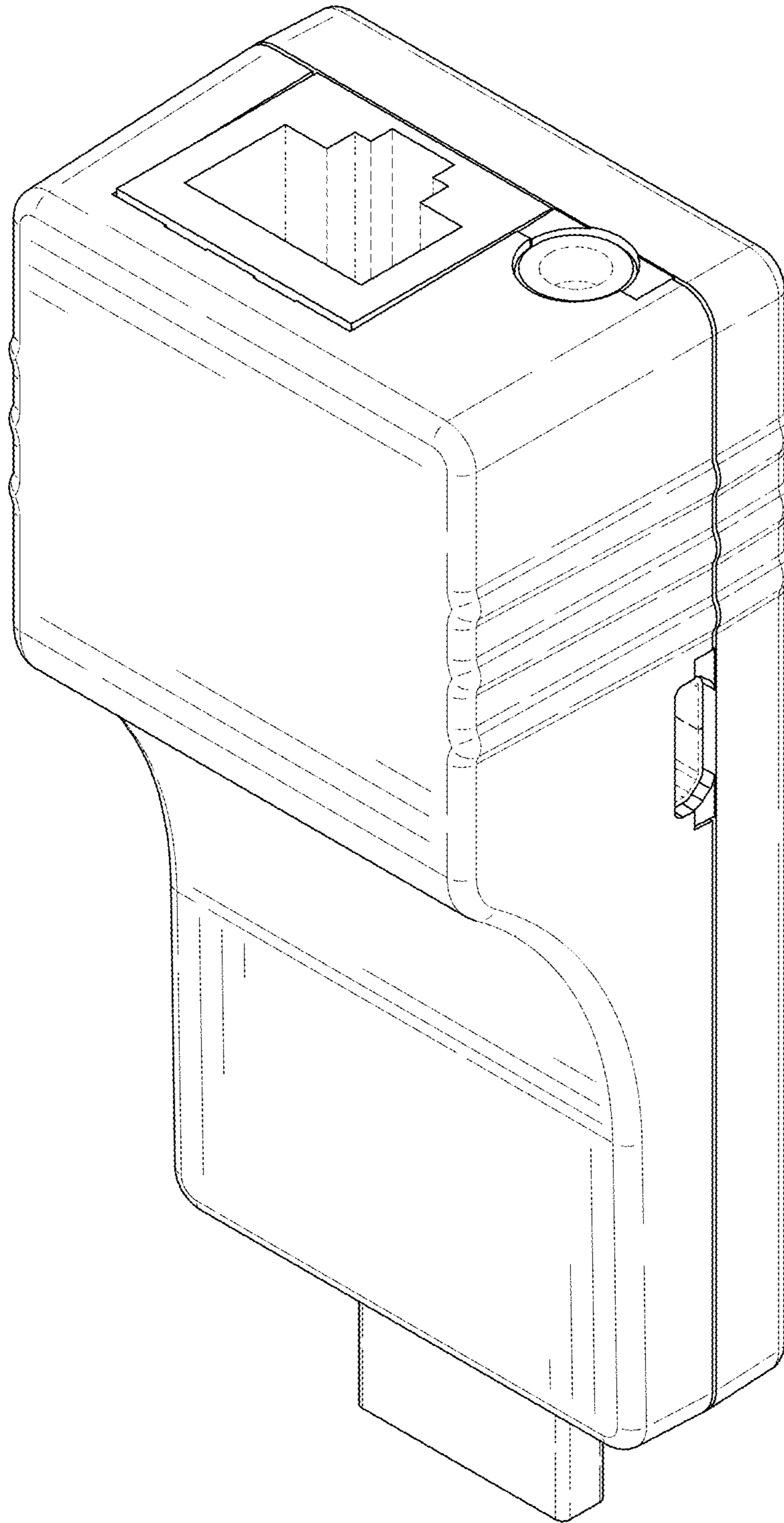


FIG. 1

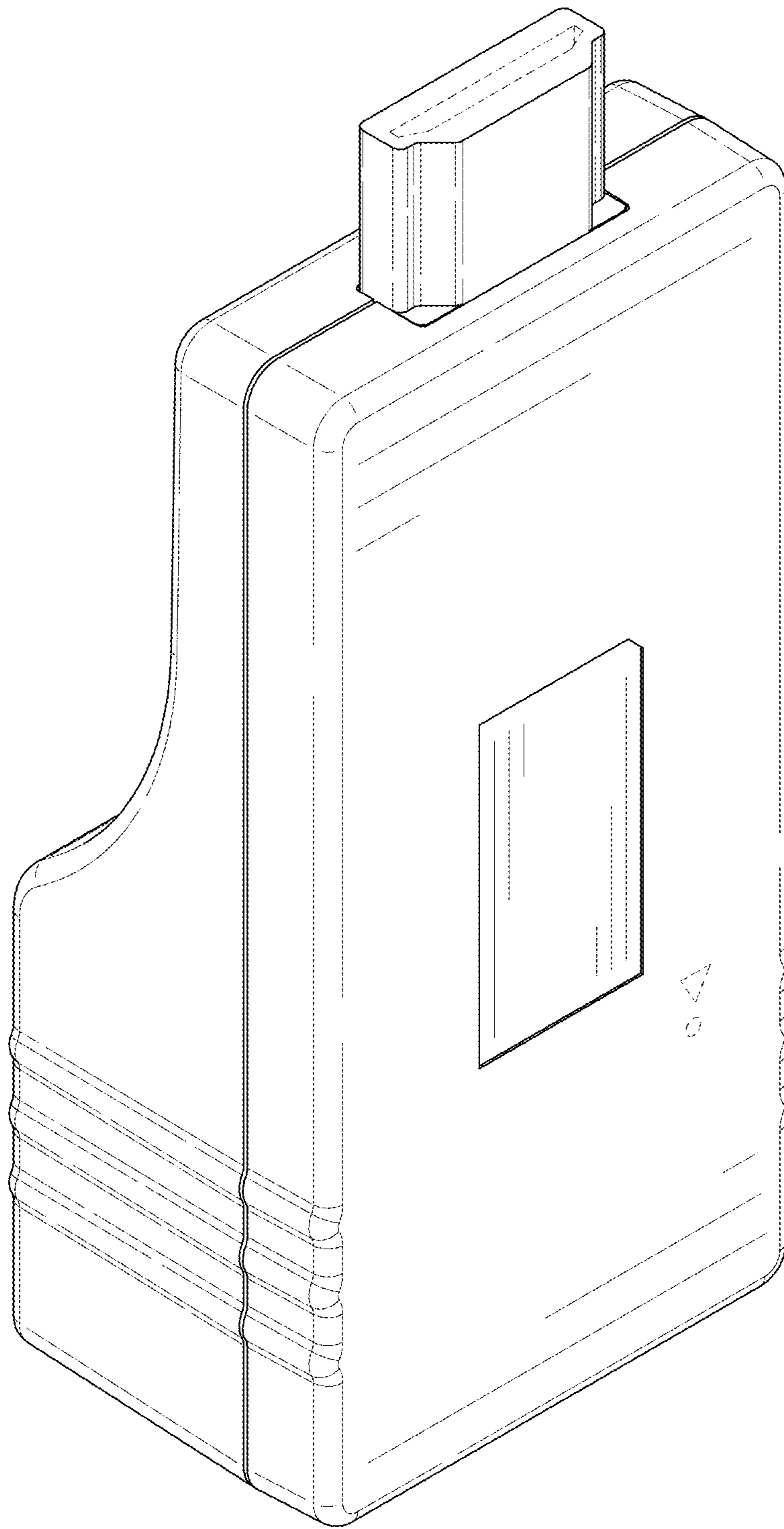


FIG. 2

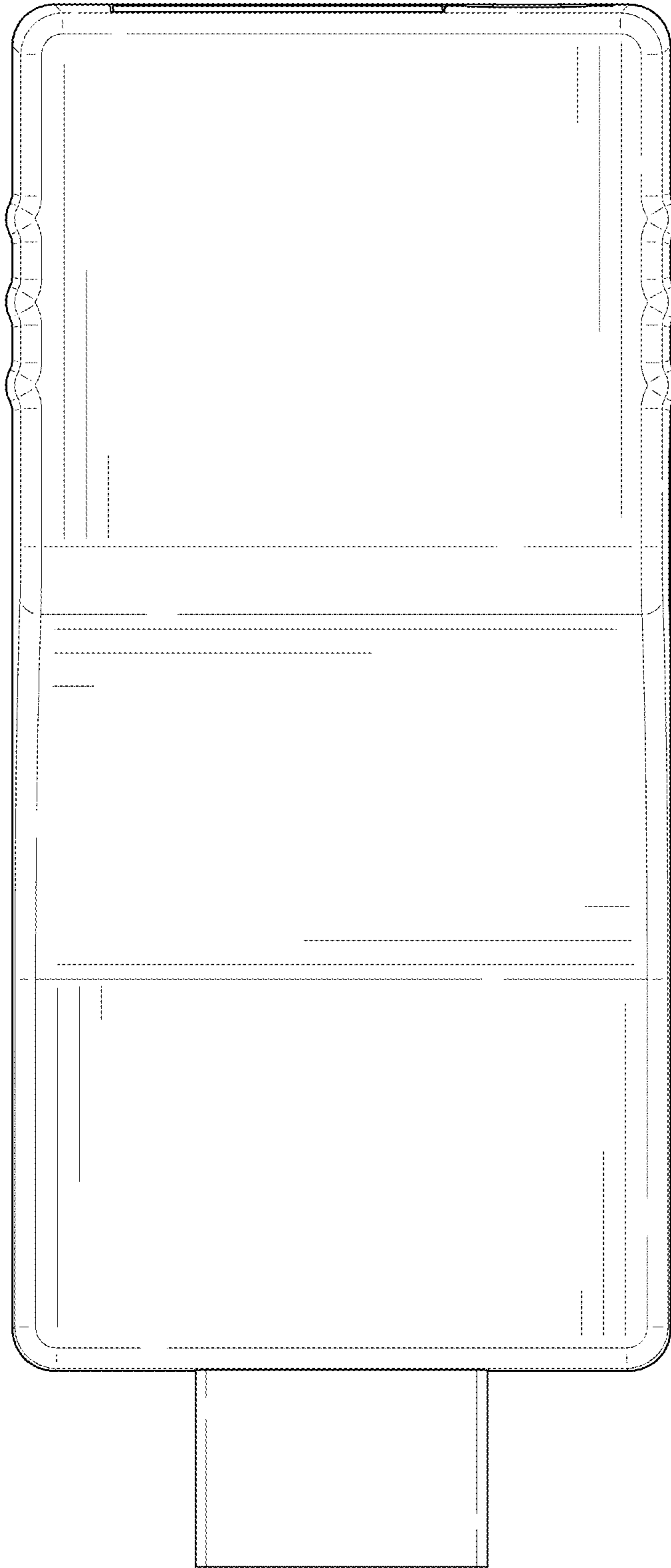


FIG. 3

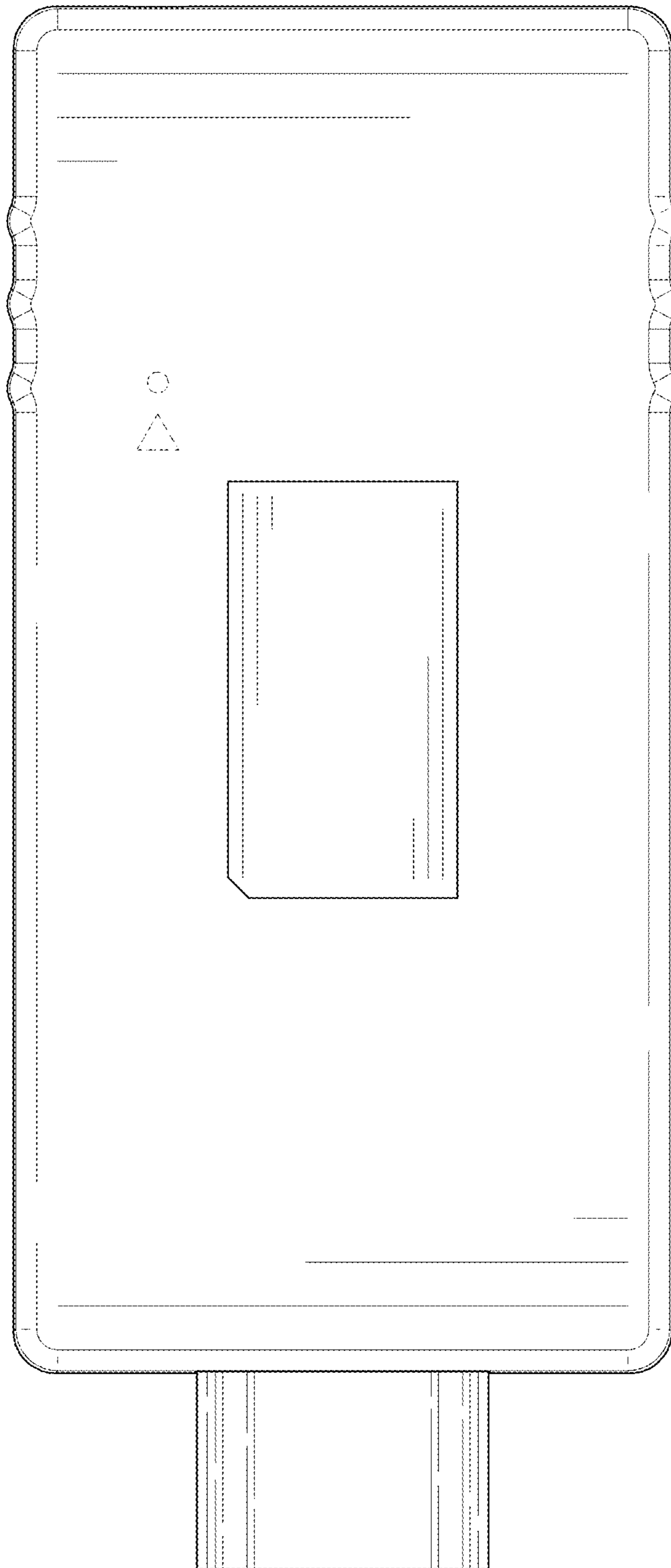


FIG. 4

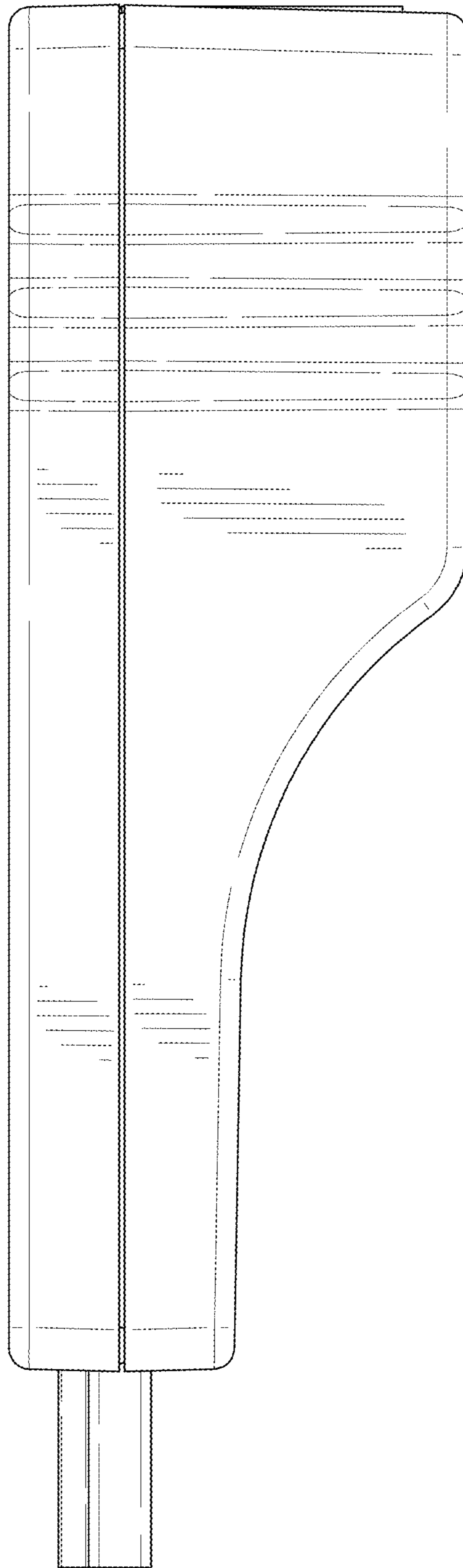


FIG. 5

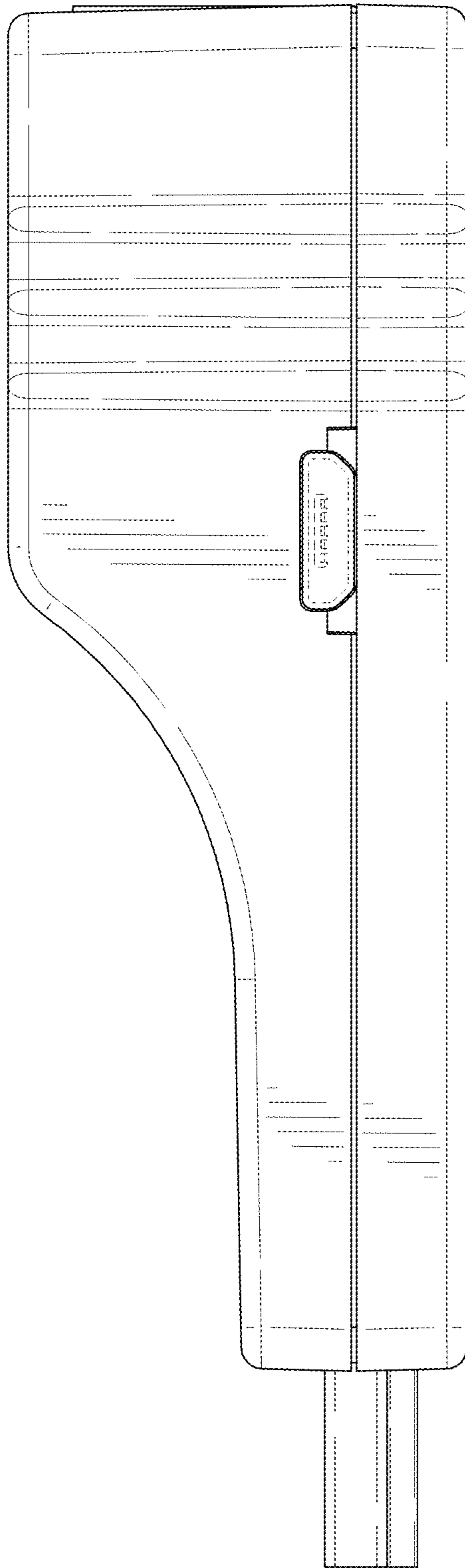


FIG. 6

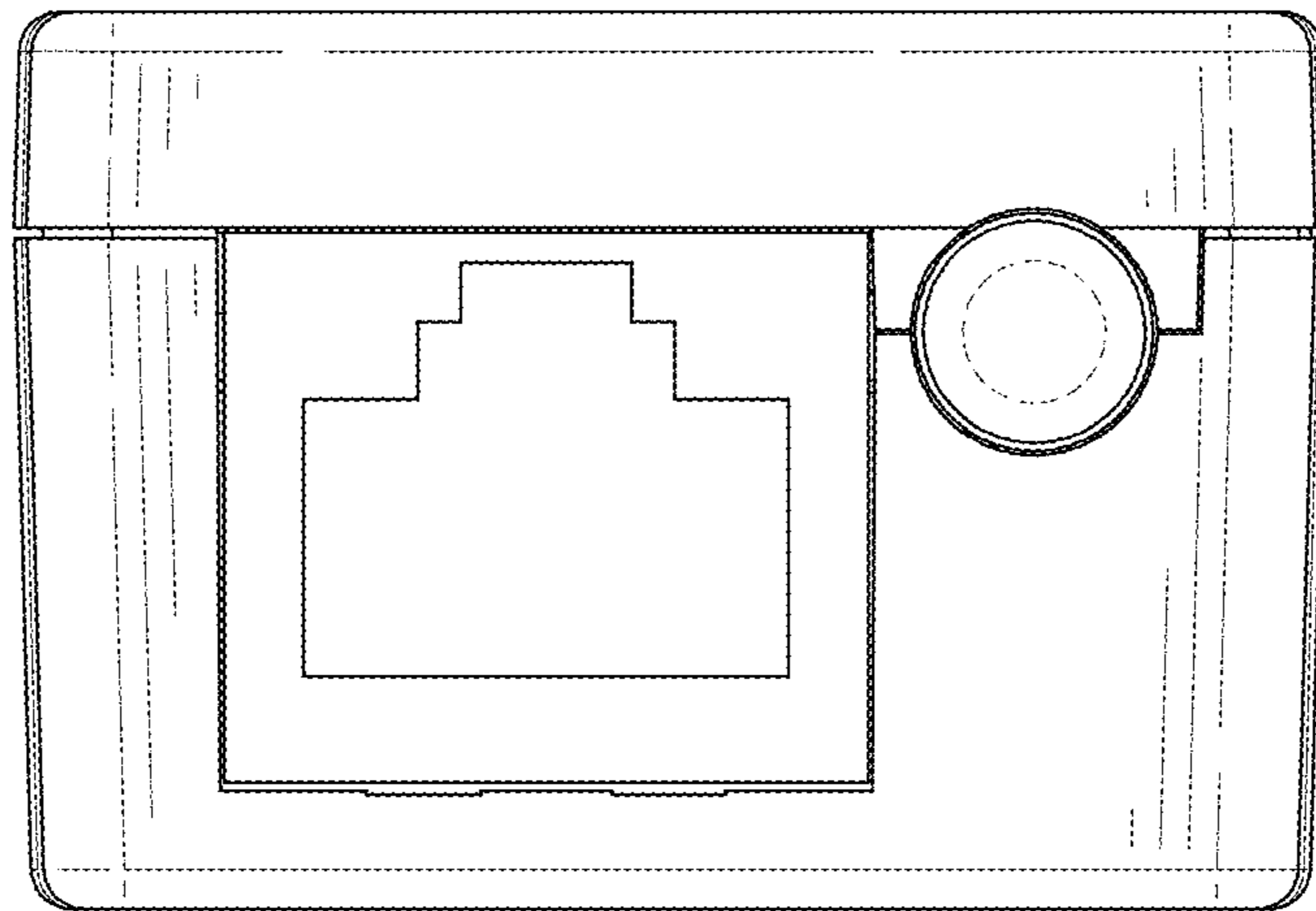


FIG. 7

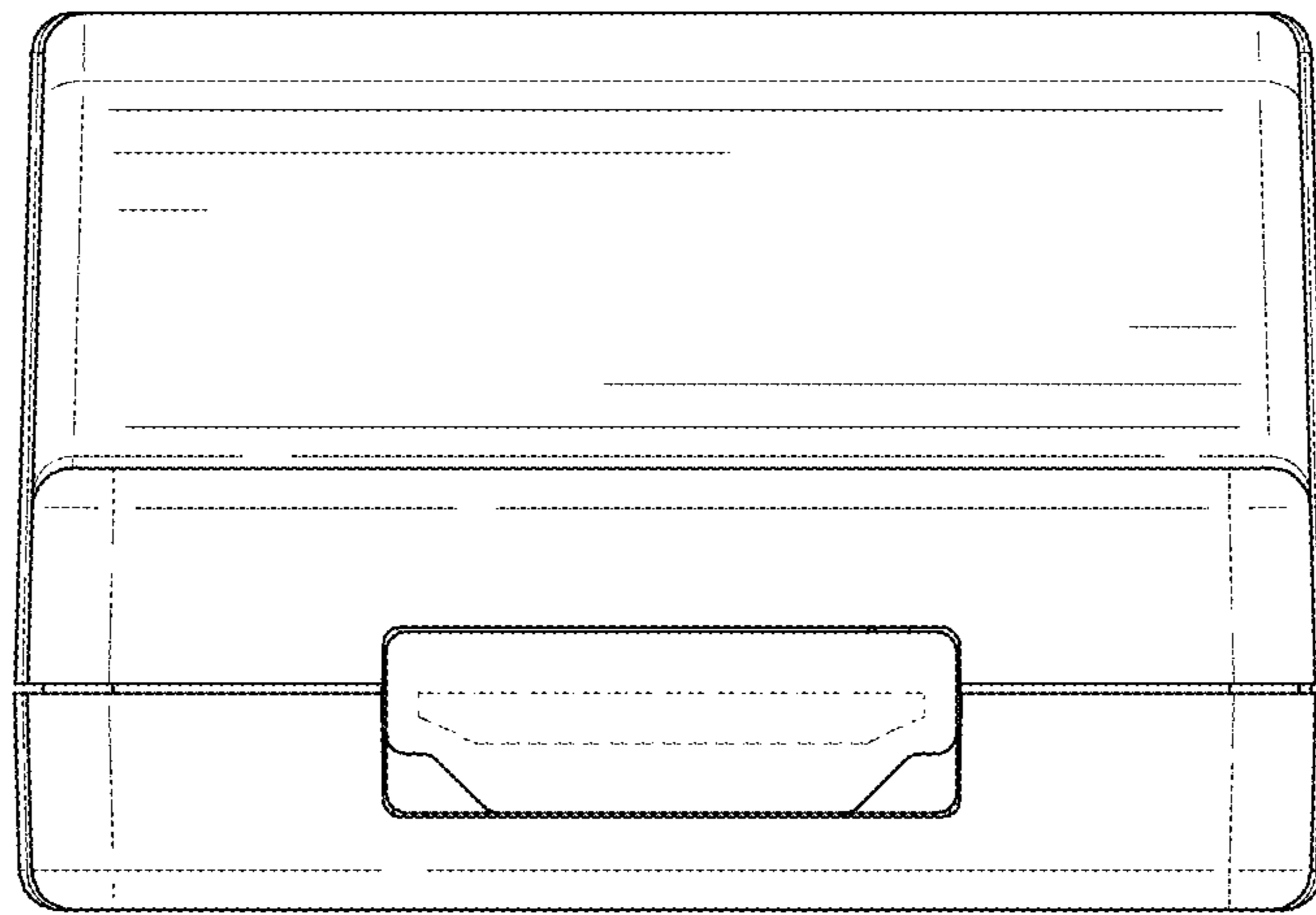


FIG. 8