



US00D941255S

(12) **United States Design Patent**  
**Liu et al.**

(10) **Patent No.:** **US D941,255 S**  
(45) **Date of Patent:** **\*\* Jan. 18, 2022**

(54) **TERMINAL MODULE**

(71) Applicant: **DONGGUAN LUXSHARE TECHNOLOGIES CO., LTD**, Dongguan (CN)  
(72) Inventors: **Xiaogang Liu**, Dongguan (CN); **Kun Liu**, Dongguan (CN); **Rongzhe Guo**, Dongguan (CN); **Chuanqi Gong**, Dongguan (CN); **Tao Song**, Dongguan (CN)

(73) Assignee: **DONGGUAN LUXSHARE TECHNOLOGIES CO., LTD**, Dongguan (CN)

(\*\*) Term: **15 Years**

(21) Appl. No.: **29/759,423**

(22) Filed: **Nov. 23, 2020**

(30) **Foreign Application Priority Data**

Jun. 30, 2020 (CN) ..... 202030346330.2

(51) **LOC (13) Cl.** ..... **13-03**

(52) **U.S. Cl.**  
USPC ..... **D13/156; D13/146**

(58) **Field of Classification Search**  
USPC ..... D13/133, 146, 147, 153, 154, 155, 156, D13/184, 199  
CPC ..... H01R 13/02; H01R 13/62; H01R 13/64; H01R 13/436; H01R 13/502; H01R 13/504; H01R 13/506; H01R 13/641; H01R 4/24; H01R 4/48; H01R 12/79

See application file for complete search history.

(56) **References Cited**

U.S. PATENT DOCUMENTS

4,046,452 A \* 9/1977 Cassarly ..... H01R 13/514  
439/594  
6,312,288 B1 \* 11/2001 Genz ..... H01R 4/2454  
439/628  
D560,614 S \* 1/2008 McEvoy ..... D13/147  
D605,138 S \* 12/2009 Sogo ..... D13/154  
D668,625 S \* 10/2012 Tiengtum ..... D13/182  
D706,227 S \* 6/2014 Jiang ..... D13/156  
D901,396 S \* 11/2020 Kurita ..... D13/147

\* cited by examiner

*Primary Examiner* — Derrick E Holland

(74) *Attorney, Agent, or Firm* — Birch, Stewart, Kolasch & Birch, LLP

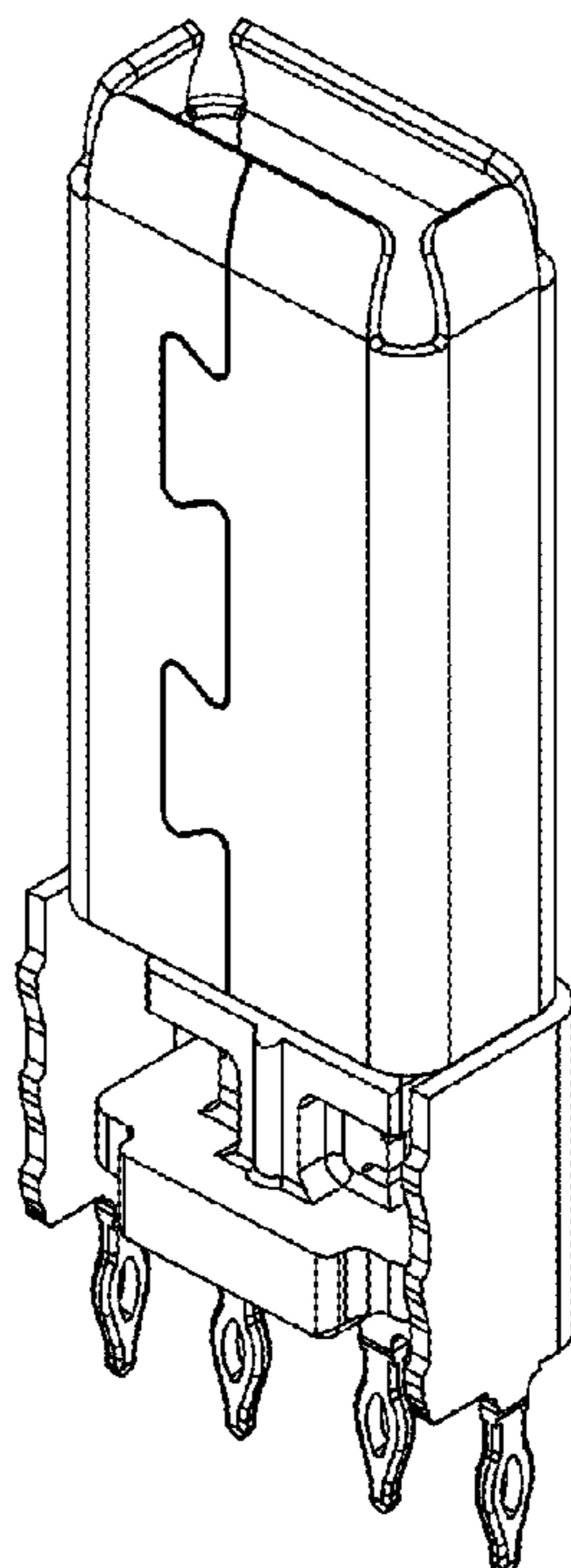
(57) **CLAIM**

The ornamental design for a terminal module, as shown and described.

**DESCRIPTION**

FIG. 1 is a front, top and right side perspective view of a terminal module showing our new design;  
FIG. 2 is a front elevational view of the terminal module;  
FIG. 3 is a rear elevational view of the terminal module;  
FIG. 4 is a top plan view of the terminal module;  
FIG. 5 is a bottom plan view of the terminal module;  
FIG. 6 is a left side elevational view of the terminal module;  
and,  
FIG. 7 is a right side elevational view of the terminal module.

**1 Claim, 7 Drawing Sheets**



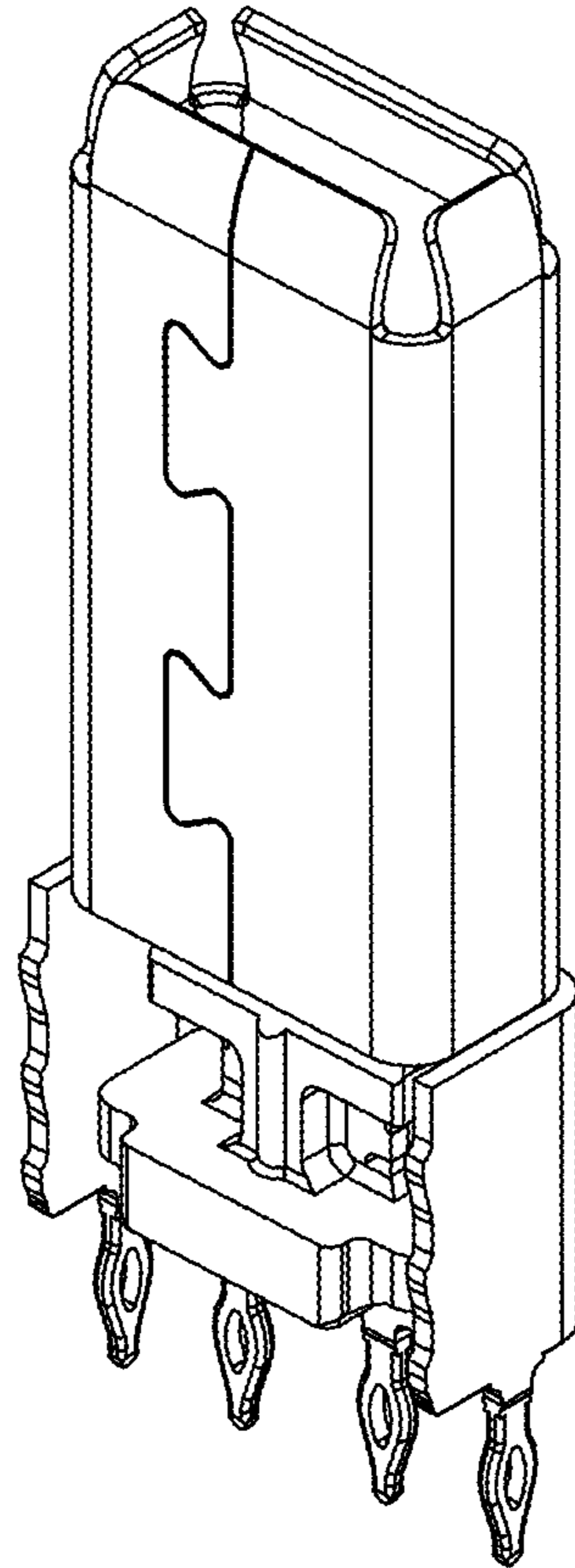


FIG. 1

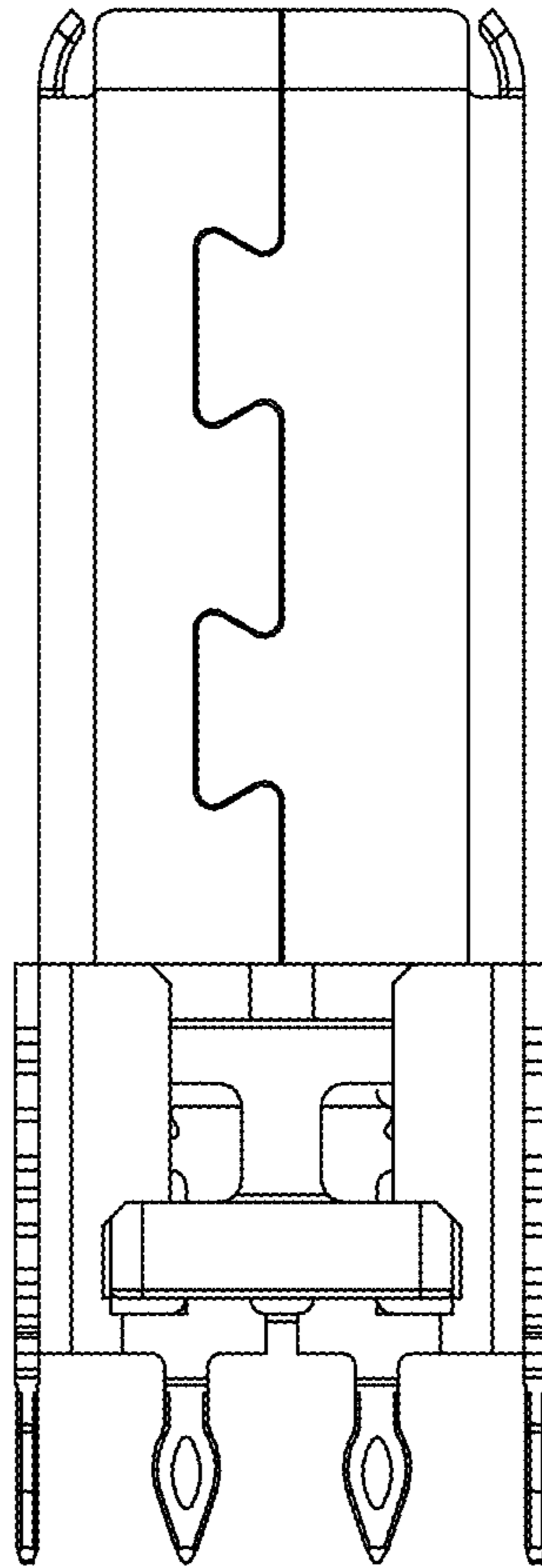


FIG. 2

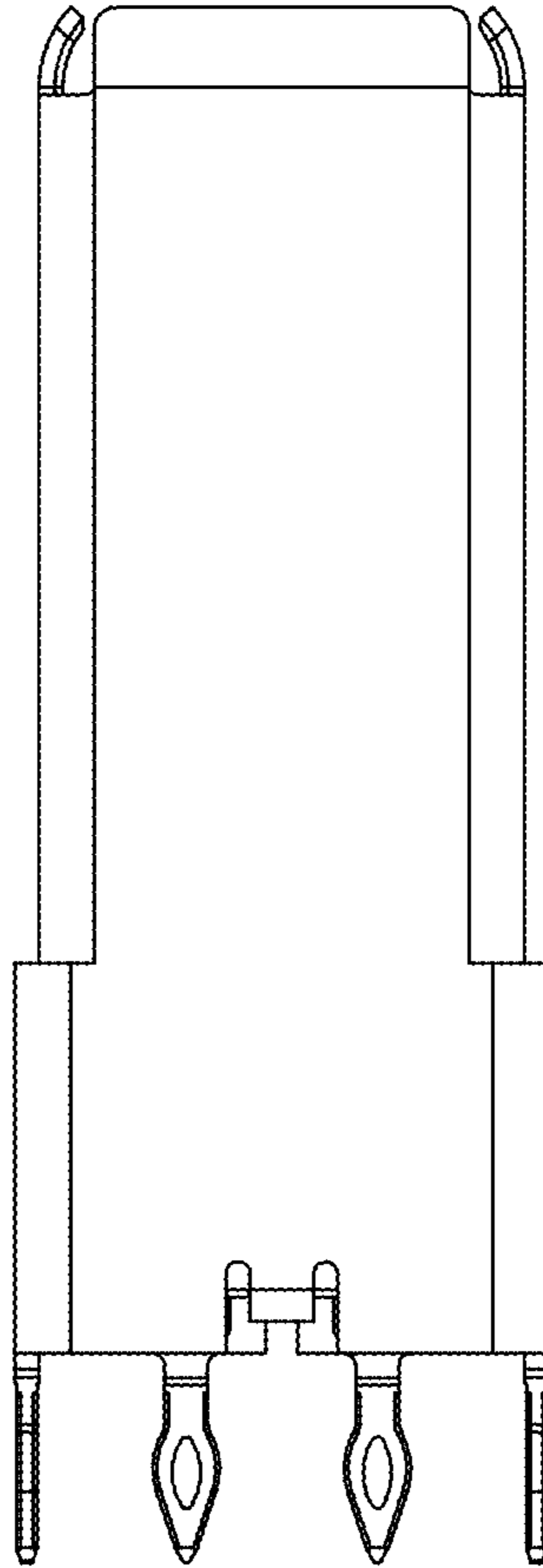


FIG. 3

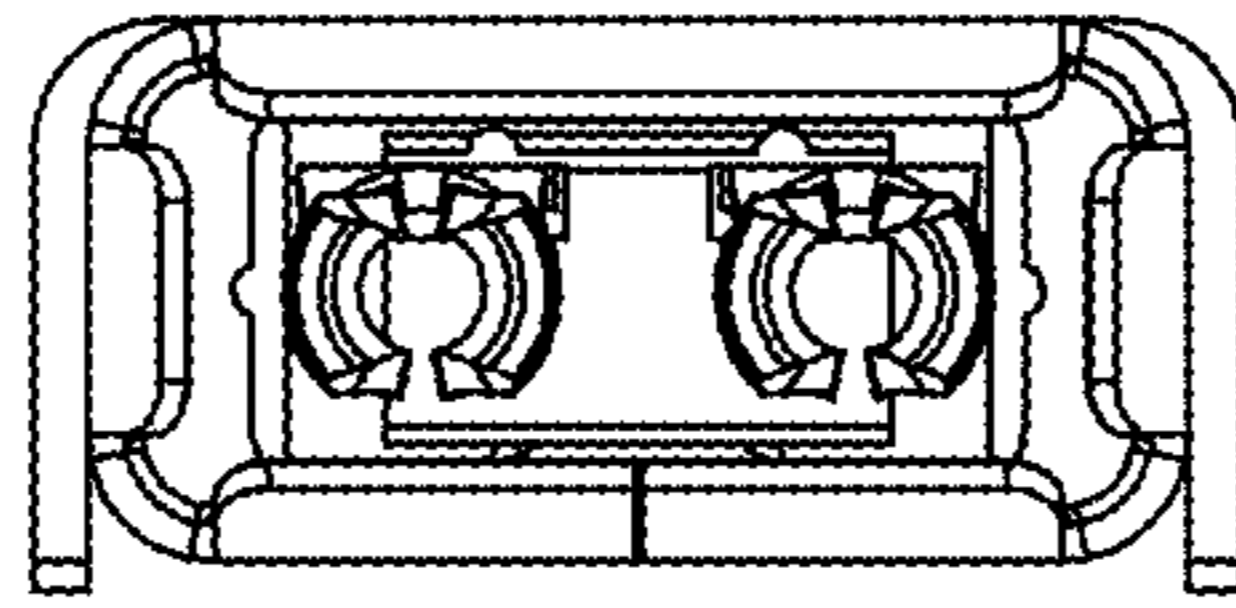


FIG. 4

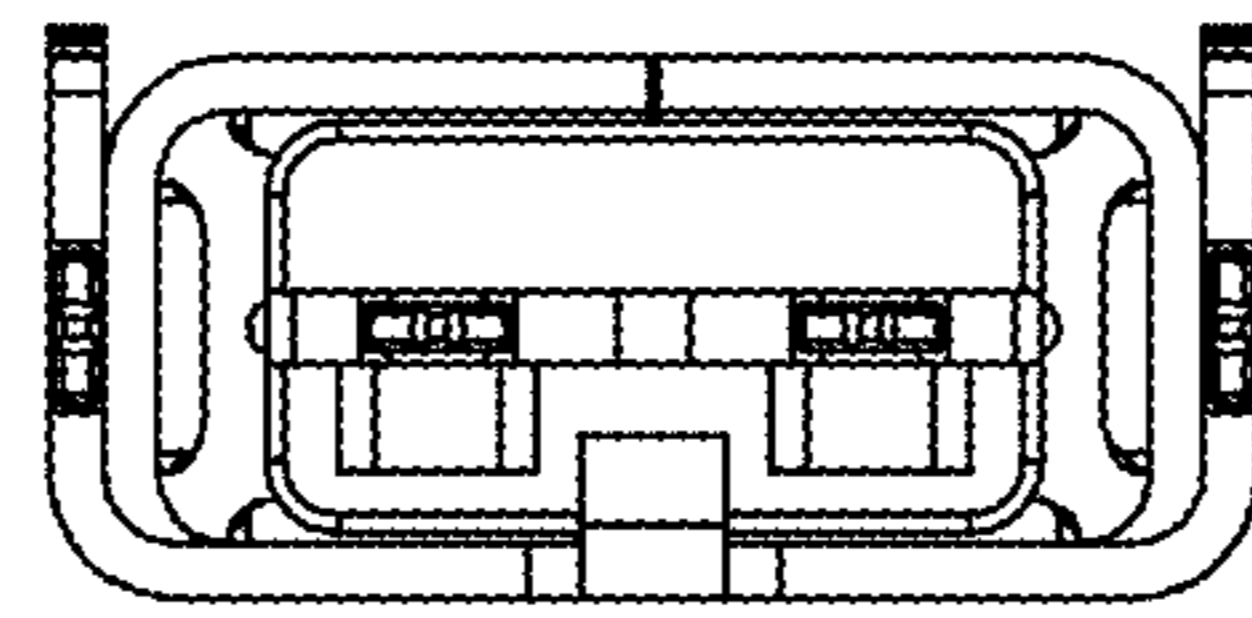


FIG. 5

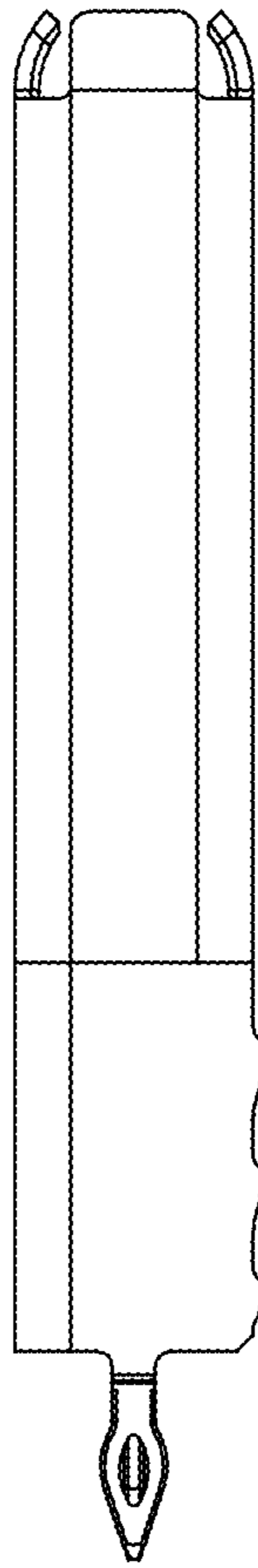


FIG. 6

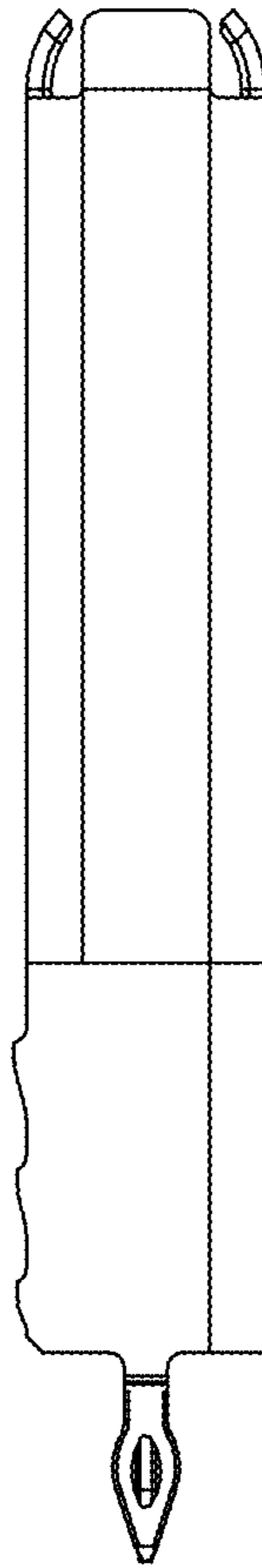


FIG. 7